

DIAGRAM DISPLAY	SYMBOL DESCRIPTION	LEGEND
---	POWER WIRE	---
---	CONTROL WIRE	---
---	REF. PIPE / WATER PIPE	---
---	POWER SIGNAL WIRE	---

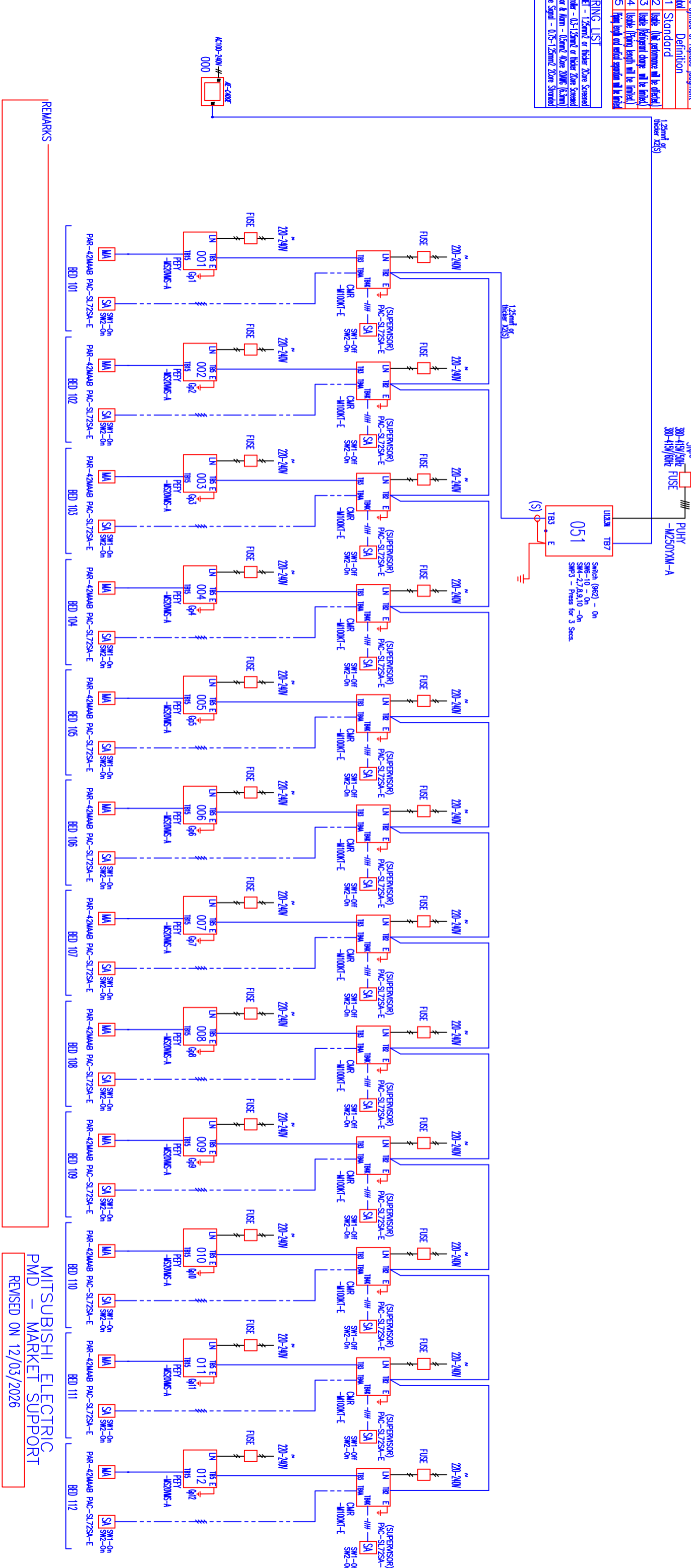
The symbol of replace judgment

- # 1 Standard
- # 2 Inside (If performance will be affected)
- # 3 Inside (Performance change will be limited)
- # 4 Inside (Piping length will be limited)
- # 5 [Piping length and other operation will be limited]

WIRING LIST	
W-E1	1.5mm ² or thicker Zinc Screened
Controler	0.3-1.5mm ² or thicker Zinc Screened
Sensor & Alarm	0.3mm ² Above 200V (3.5mm)
Fuses Signal	0.5-1.5mm ² Zinc Screened

CITY MULTI YXM SCENE 5 – HOTEL
SYSTEM SCHEMATIC DWG.
WIRING SCHEMATIC – EN378

System 1



Appropriate Circuit Protection Device in accordance with local government regulations are mandatory required such as (Circuit breaker type) and RCD etc. Please refer the amount of pre-charge and the formula of calculation which is mentioned on the data book.
1.5mm² (16 AWG) : 1.25mm² (16 AWG) or more, 1.25mm² (16 AWG) : 1.25mm² (16 AWG) or more.
Warning: HMF pipe size is dependent on pipe length, please confirm before implementation.

Please Note: Remove jumper from CNSB of all indoor units

REMARKS

MITSUBISHI ELECTRIC
PMD – MARKET SUPPORT
REVISED ON 12/03/2026

Appropriate Circuit Protection Device in accordance with local government regulations are mandatory required such as GFI(Inverter type) and MB etc.
 Please refer the amount of pre-charge and the formula of calculation which is mentioned on the data book.
 1.25mm² (16 AWG) : 1.25mm² (16 AWG) or more. 1.25mm² (16 AWG) : 1.25mm² (16 AWG) or more.
 Warning: HWT pipe size is dependent on pipe length, please confirm before implementation.

DIAGRAM DISPLAY	SYMBOL	LEGEND DESCRIPTION
##	---	POWER WIRE
---	---	CONTROL WIRE
---	---	REF. PIPE / WATER PIPE
---	---	POWER SIGNAL WIRE

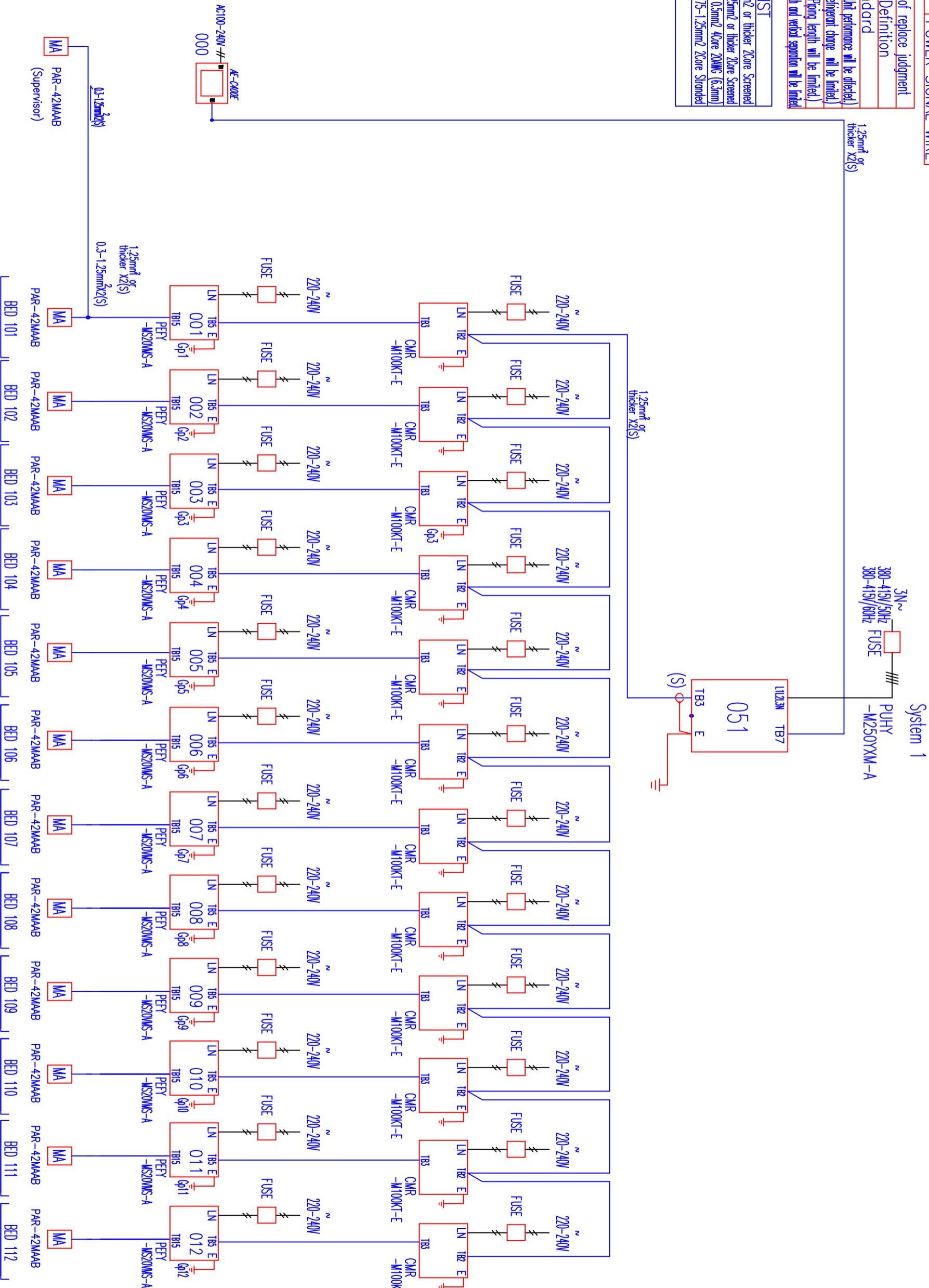
CONT.No PAGE 1 / 1

The symbol of replace judgment

Symbol	Definition
#1 Standard	
#2 Usable (Unit performance will be offered)	
#3 Usable (Performance change will be limited)	
#4 Usable (Piping length will be limited)	
#5 Piping length and vertical separation will be limited	

WIRING LIST

M-NET – 1.25mm² or thicker 2Core Screened
 Controller – 0.3-1.25mm² or thicker 2Core Screened
 Sensor & Alarm – 0.5mm² 4Core 20AWG (6.3mm)
 Pulse Signal – 0.75-1.25mm² 2Core Stranded



REMARKS

MITSUBISHI ELECTRIC
 P.M.D – MARKET SUPPORT
 REVISED ON 12/03/2026

DIAGRAM DISPLAY	SYMBOL DESCRIPTION	LEGEND
—#—###	POWER WIRE	
---#---	CONTROL WIRE	
---#---	REF. PIPE / WATER PIPE	
—#—	POWER SIGNAL WIRE	

The symbol of replace judgment

Symbol	Definition
#1	Standard
#2	Usable (but performance will be affected)
#3	Usable (Refinement charge will be limited)
#4	Usable (Firing length will be limited)
#5	Firing length and vertical separation will be limited

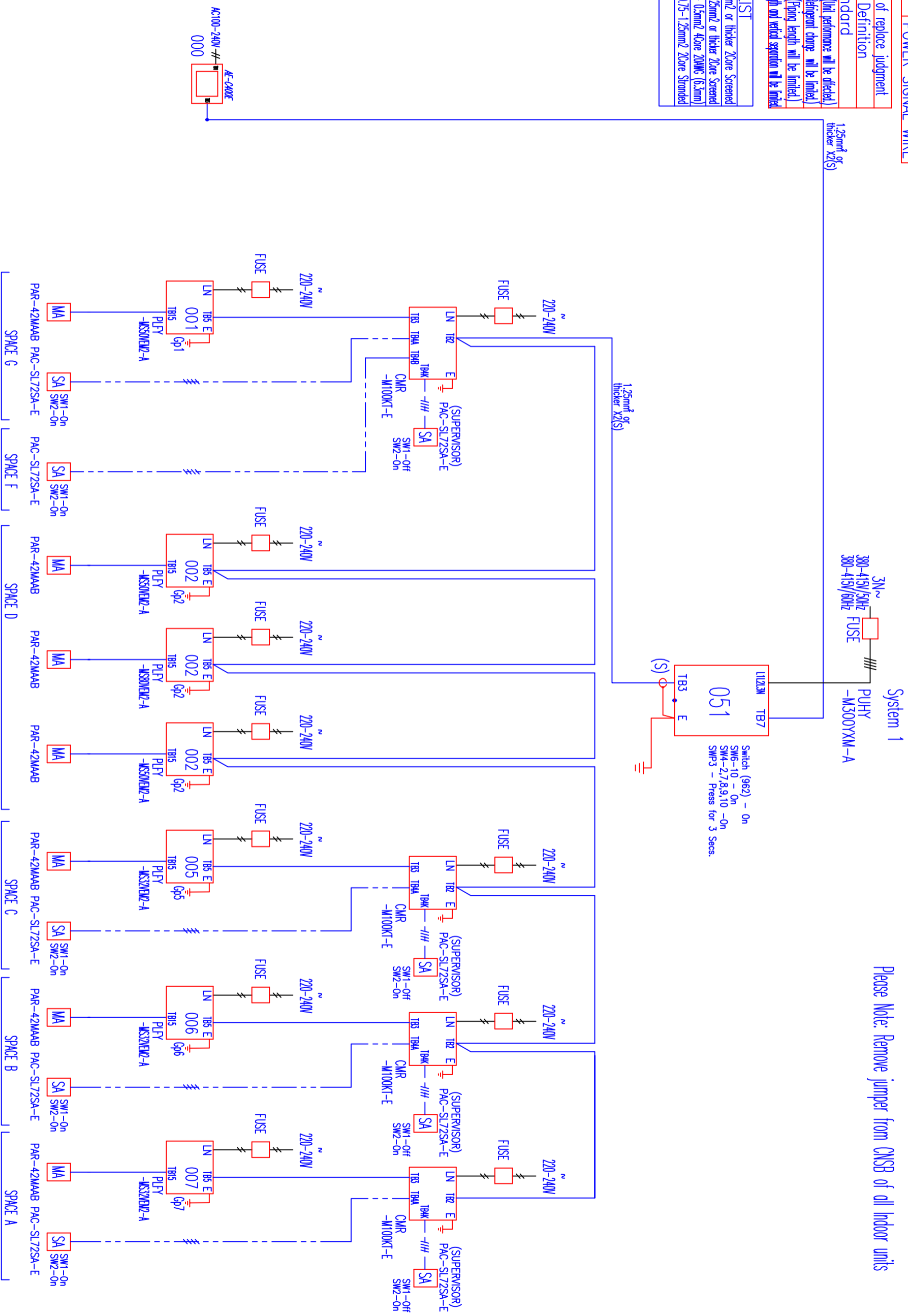
WIRING LIST

M-NE1	- 1.25mm ² or thicker 2Core Screened
Controller	- 0.3-1.25mm ² or thicker 2Core Screened
Sensor & Alarm	- 0.5mm ² 4Core 20AWG (6.3mm)
Pulse Signal	- 0.75-1.25mm ² 2Core Stranded

CITY MULTI YXM SCENE 6 – OFFICE
SYSTEM SCHEMATIC DWG.
WIRING SCHEMATIC – EN378

Appropriate Circuit Protection Device in accordance with local government regulations are mandatory required such as GFI(grounder type) and NB etc.
Please refer the amount of pre-charge and the formula of calculation which is mentioned on the data book.
1.25mm² (16 AWG) : 1.25mm² (16 AWG) or more. 1.25mm² (16 AWG) : 1.25mm² (16 AWG) or more.
Warning: HRF pipe size is dependent on pipe length, please confirm before implementation.

Please Note: Remove jumper from CNSB of all indoor units



REMARKS

MITSUBISHI ELECTRIC
PMD – MARKET SUPPORT
REVISED ON 12/03/2026

Appropriate Circuit Protection Device in accordance with local government regulations are mandatory required such as GFI(Inverter type) and MB etc.
Please refer the amount of pre-charge and the formula of calculation which is mentioned on the data book.
1.25mm² (16 AWG) : 1.25mm² (16 AWG) or more. 1.25mm² (16 AWG) : 1.25mm² (16 AWG) or more.
Warning: HNF pipe size is dependent on pipe length, please confirm before implementation.

DIAGRAM DISPLAY	SYMBOL DESCRIPTION	LEGEND
##	POWER WIRE	---
---	CONTROL WIRE	---
----	REF. PIPE / WATER PIPE	----
---	POWER SIGNAL WIRE	---

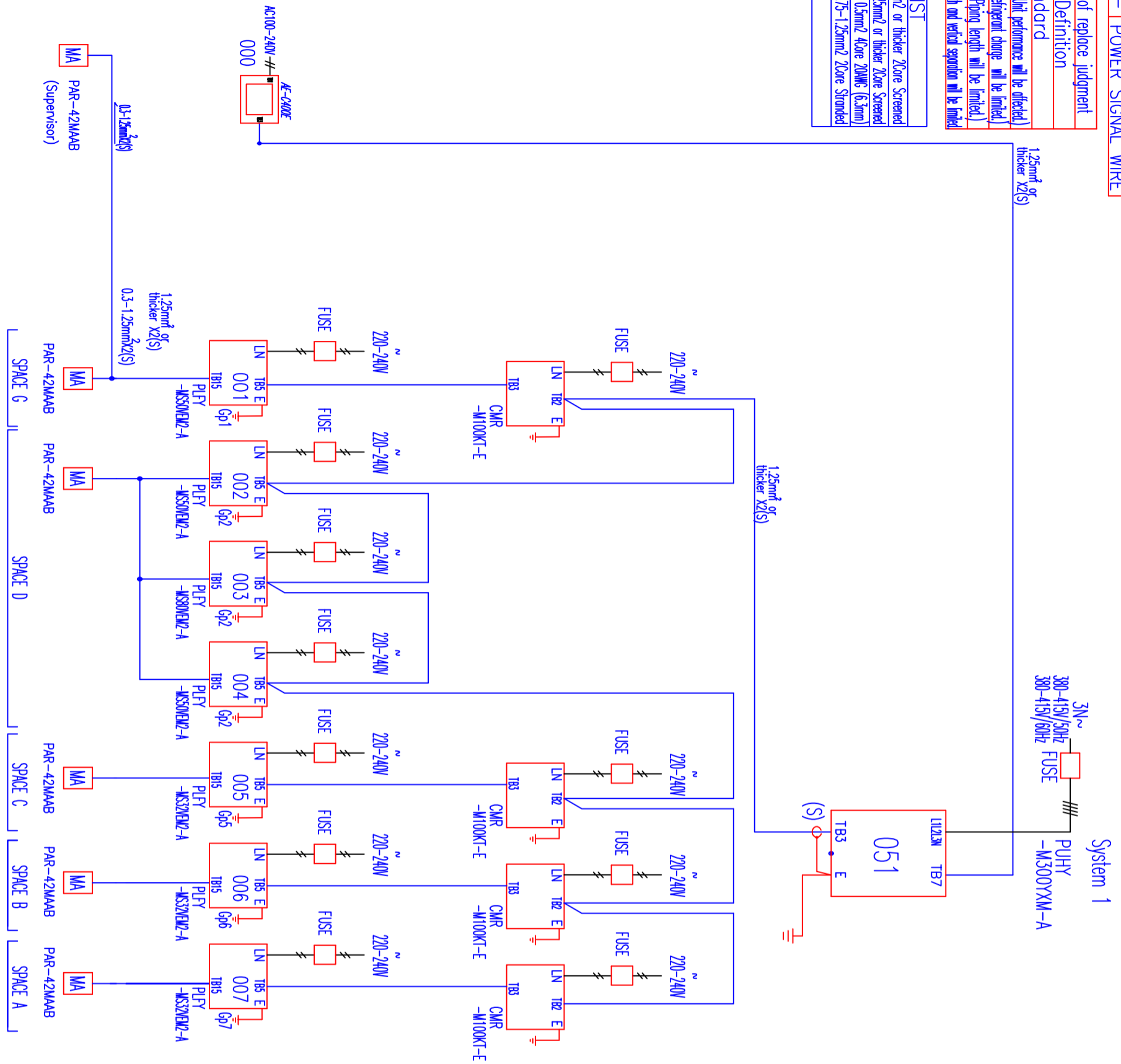
CONT.No PAGE 1 / 1

WIRING SCHEMATIC – PRODUCT STANDARD

The symbol of replace judgment

Symbol	Definition
#1 Standard	
#2 Usable (Unit performance will be offered)	
#3 Usable (Performance change will be limited)	
#4 Usable (Piping length will be limited)	
#5 Piping length and vertical separation will be limited	

WIRING LIST	
M-NE1	1.25mm ² or thicker 2Core Screened Controller - 0.3-1.25mm ² or thicker 2Core Screened Sensor & Alarm - 0.5mm ² 4Core 20AWG (6.3mm)
	Pulse Signal - 0.75-1.25mm ² 2Core Stranded



REMARKS

MITSUBISHI ELECTRIC
PMD – MARKET SUPPORT
REVISED ON 12/03/2026