

# CLIVET EDGE<sub>EVO2.0</sub>

For over thirty years Clivet have offered some of the most efficient systems, which achieve high energy savings while also being kind to the environment.

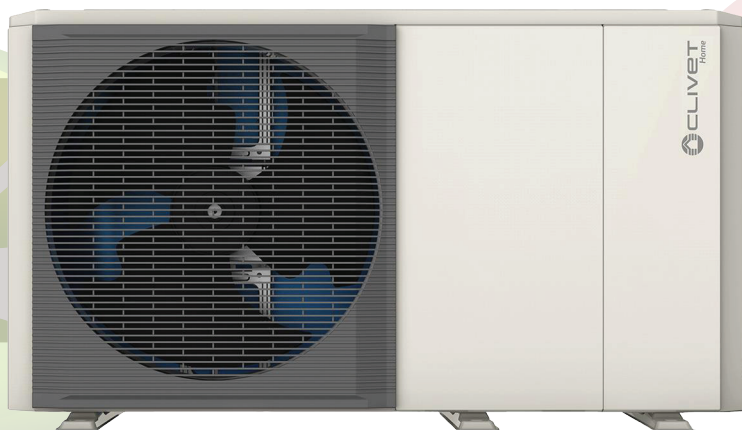
Edge EVO 2.0- EXC is the solution designed for new homes or upgrading old boilers without having to alter the system. The system is extremely versatile and able to adapt to whatever already exists: it simply replaces the boiler that produces Heating and Domestic Hot Water, improving comfort and efficiency, as well as ensuring peace of mind.



## Features and Benefits

- **Advanced connectivity:** management via the dedicated Smart Home App or via the Modbus port with Contro/4 NRG standard supplied
- Coastal protection coating as standard
- Up to seven years warranty (terms & conditions apply)
- Integral central heating pump
- Integral expansion vessel
- Controller can cascade up to six heat pumps for larger systems
- Controller and DHW temperature sensor supplied as standard

**01283 218277**  
sales@logicool-ac.com



## Max Output kW at External Ambient Temperature

	-7	-5	-3	0	2	7
Edge Evo 2.0 WiSAN-YME 1 S 2.1	4.5	4.6	4.9	5.0	5.3	5.7
Edge Evo 2.0 WiSAN-YME 1 S 3.1	5.6	5.3	6.5	6.9	6.9	6.4
Edge Evo 2.0 WiSAN-YME 1 S 4.1	6.9	7.4	7.8	8.1	8.3	9.0
Edge Evo 2.0 WiSAN-YME 1 S 5.1	7.7	8.2	8.6	8.9	9.3	10.3
Edge Evo 2.0 WiSAN-YME 1 S 6.1	10.4	10.9	11.7	12.3	12.8	14.5
Edge Evo 2.0 WiSAN-YME-1-S-6.1T	10.4	10.9	11.7	12.3	12.8	14.5
Edge Evo 2.0 WiSAN-YME 1 S 7.1	11.9	12.1	12.5	12.7	13.3	15.7
Edge Evo 2.0 WiSAN-YME 1 S 7.1T	11.9	12.1	12.5	12.7	13.3	15.7
Edge Evo 2.0 WiSAN-YME 1 S 8.1	13.1	13.4	14.1	14.1	14.8	16.6
Edge Evo 2.0 WiSAN-YME 1 S 8.1T	13.1	13.4	14.1	14.1	14.8	16.6
Edge Evo 2.0 WiSAN-YME 1 S 9.1	16.2	17.6	17.6	18.2	20.0	18.5
Edge Evo 2.0 WiSAN-YME 1 S 10.1	19.8	20.9	22.4	21.6	23.0	22.7
Edge Evo 2.0 WiSAN-YME 1 S 12.1	21.5	22.5	24.1	25.1	26.2	27.4
Edge Evo 2.0 WiSAN-YME 1 S 14.1	22.7	23.8	25.4	26.5	28.2	31.0

35°C  
flow temperature

	-7	-5	-3	0	2	7
Edge Evo 2.0 WiSAN-YME 1 S 2.1	4.3	4.4	4.8	5.1	5.3	5.7
Edge Evo 2.0 WiSAN-YME 1 S 3.1	5.2	5.3	5.4	5.4	5.7	6.9
Edge Evo 2.0 WiSAN-YME 1 S 4.1	6.2	6.5	6.8	7.1	7.3	7.8
Edge Evo 2.0 WiSAN-YME 1 S 5.1	7.1	7.5	7.9	8.2	8.5	9.7
Edge Evo 2.0 WiSAN-YME 1 S 6.1	10.6	10.6	10.7	10.8	11.6	13.9
Edge Evo 2.0 WiSAN-YME-1-S-6.1T	10.6	10.6	10.7	10.8	11.6	13.9
Edge Evo 2.0 WiSAN-YME 1 S 7.1	11.3	11.1	11.5	11.8	12.6	14.5
Edge Evo 2.0 WiSAN-YME 1 S 7.1T	11.3	11.1	11.5	11.8	12.6	14.5
Edge Evo 2.0 WiSAN-YME 1 S 8.1	12.6	12.6	12.6	12.8	13.5	16.2
Edge Evo 2.0 WiSAN-YME 1 S 8.1T	12.6	12.6	12.6	12.8	13.5	16.2
Edge Evo 2.0 WiSAN-YME 1 S 9.1	10.1	11.0	12.6	15.2	17.7	18.4
Edge Evo 2.0 WiSAN-YME 1 S 10.1	12.6	13.8	15.7	18.4	21.0	22.8
Edge Evo 2.0 WiSAN-YME 1 S 12.1	15.3	16.4	18.4	21.0	23.1	26.8
Edge Evo 2.0 WiSAN-YME 1 S 14.1	16.5	18.0	19.9	22.7	24.7	30.6

45°C  
flow temperature

	-7	-5	-3	0	2	7
Edge Evo 2.0 WiSAN-YME 1 S 2.1	3.6	3.8	4.2	4.4	4.6	5.4
Edge Evo 2.0 WiSAN-YME 1 S 3.1	4.6	4.7	4.9	5.1	5.3	6.4
Edge Evo 2.0 WiSAN-YME 1 S 4.1	5.3	6.0	6.5	6.9	7.0	7.2
Edge Evo 2.0 WiSAN-YME 1 S 5.1	5.6	6.1	6.7	7.0	7.3	8.2
Edge Evo 2.0 WiSAN-YME 1 S 6.1	8.1	8.2	8.4	8.5	9.8	13.0
Edge Evo 2.0 WiSAN-YME-1-S-6.1T	8.1	8.2	8.4	8.5	9.8	13.0
Edge Evo 2.0 WiSAN-YME 1 S 7.1	8.0	8.3	8.9	9.3	10.3	13.2
Edge Evo 2.0 WiSAN-YME 1 S 7.1T	8.0	8.3	8.9	9.3	10.3	13.2
Edge Evo 2.0 WiSAN-YME 1 S 8.1	8.3	8.6	9.2	9.6	10.8	14.1
Edge Evo 2.0 WiSAN-YME 1 S 8.1T	8.3	8.6	9.2	9.6	10.8	14.1
Edge Evo 2.0 WiSAN-YME 1 S 9.1	8.0	9.4	10.7	13.6	16.8	18.4
Edge Evo 2.0 WiSAN-YME 1 S 10.1	9.2	10.7	13.4	16.5	19.6	22.4
Edge Evo 2.0 WiSAN-YME 1 S 12.1	11.5	12.4	16.0	19.2	21.6	24.3
Edge Evo 2.0 WiSAN-YME 1 S 14.1	12.2	13.9	18.0	21.6	23.1	27.3

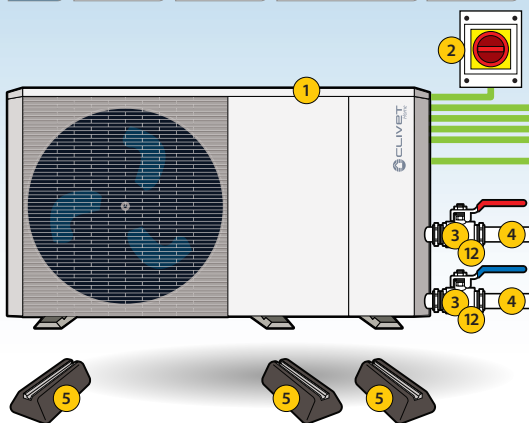
55°C  
flow temperature

(All specifications and performance statistics, particularly part numbers are subject to change by the manufacturers. If in doubt, please speak to our technical services department).

# CLIVET EDGE<sub>EVO2.0</sub>

## EDGE<sub>EVO2.0</sub> WISAN-YME 1 S outdoor unit model reference

Model	Outlet Connection (BSP ml)	Fuse Amps (phase)	EVA Number	Connect and Notify
2.1	1"	25 (1 <sub>ph</sub> )	CLIVE/02567/V1	Yes
3.1	1"	25 (1 <sub>ph</sub> )	CLIVE/08828/V1	Yes
4.1	1.25"	25 (1 <sub>ph</sub> )	CLIVE/02934/V1	Yes
5.1	1.25"	25 (1 <sub>ph</sub> )	CLIVE/04703/V1	Yes
6.1	1.25"	16 (1 <sub>ph</sub> )	CLIVE/01702/V1	Yes
6.1T	1.25"	16 (3 <sub>ph</sub> )	CLIVE/06502/V1	Yes
7.1	1.25"	16 (1 <sub>ph</sub> )	CLIVE/06449/V1	Yes
7.1T	1.25"	16 (3 <sub>ph</sub> )	CLIVE/06829/V1	Yes
8.1	1.25"	16 (1 <sub>ph</sub> )	CLIVE/04413/V1	Yes
8.1T	1.25"	16 (3 <sub>ph</sub> )	CLIVE/03137/V1	Yes
9.1	1.25"	25 (3 <sub>ph</sub> )	CLIVE/09655/V1	No
10.1	1.25"	25 (3 <sub>ph</sub> )	CLIVE/08150/V1	No
12.1	1.25"	32 (3 <sub>ph</sub> )	CLIVE/03147/V1	No
14.1	1.25"	32 (3 <sub>ph</sub> )	CLIVE/08197/V1	No



Full range of carefully selected accessories for use with Low Temp, Low Flow systems  
Up to A+++ efficiency system  
ENO Compliant  
In stock at Logicool

EDGE<sub>EVO2.0</sub>

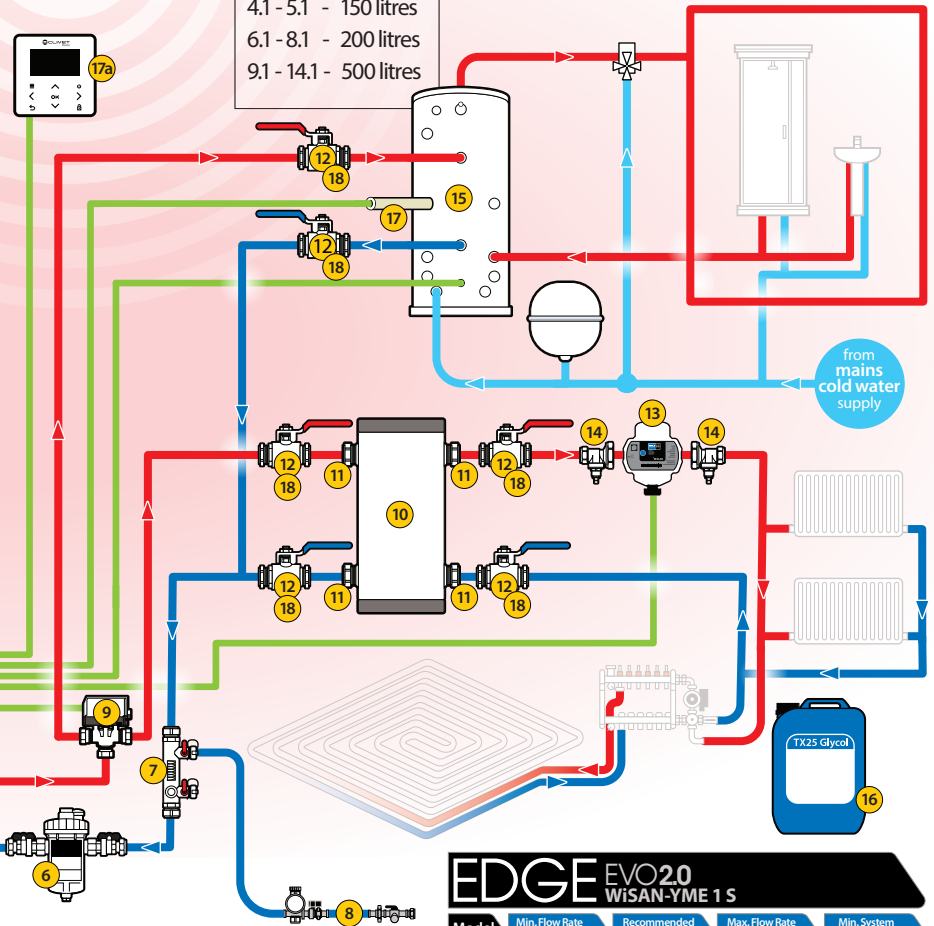


# LOGICOOL AIR CONDITIONING & HEAT PUMPS

(All specifications and performance statistics, particularly part numbers are subject to change by the manufacturers. If in doubt, please speak to our technical services department).

Minimum Cylinder Capacity

2.1 - 3.1	- 100 litres
4.1 - 5.1	- 150 litres
6.1 - 8.1	- 200 litres
9.1 - 14.1	- 500 litres



## EDGE<sub>EVO2.0</sub> WISAN-YME 1 S

Model	Min. Flow Rate (Litres per minute)	Recommended Flow Rate (L/pm)	Max. Flow Rate (Litres per minute)	Min. System Volume (litres)
2.1	6.6	11.4	14.2	30
3.1	6.6	17.4	20.8	30
4.1	6.6	22.8	27.5	70
5.1	6.6	28.8	33.3	70
6.1	11.6	34.2	41.7	70
6.1T	11.6	40.2	45.8	70
7.1	11.6	45.6	50.0	70
7.1T	11.6	34.2	41.8	70
8.1	11.6	40.2	45.8	70
8.1T	11.6	45.6	50.0	70



01283 218277  
sales@logicool-ac.com

## Clivet Edge Evo 2.0 2.1-14.1 Kit 1

(with Third Party Cylinder)

- Clivet Edge Evo 2.0 4kW - 30 kW
- Electrical Isolator IMO-IS4P32-1P
- F Swivel x M Extended Lever Ball Isolating Valve (x2) HBPV11 1" (2.1 or 3.1) or HBPV114 1.25" x1" (4.1+)
- 750mm long 1" Swivel Bent Female x 28mm Cu Insulated Hoses (pair) HPHOSE750B
- Single 600mm Standard Rubber Mount and M10 x 40 Stud Nuts (x3) SF4060 + SF4023
- 28mm Magnetic Filter IKHPMF28
- 28mm Flow Balancing Valve with Fill & Flush Ports INFBV2850
- 15mm Filling Loop with Gauge WRAS Approved FL12041515
- 28mm Three Way Diverting Valve B328DIV
- Buffer Vessel BUFF25 up to 6kW, BUFF50 8-16kW  
10a 0.5" Male Automatic Air Vent AAV007 + K360125  
10b 0.5" Male Drain Cock K234004 + K360125
- 1" Male x 28mm Iron to Copper Adaptor Buffer K920406 (x4)
- 28mm/1" Insulating Jacket for Ball Valves 8 x 2.1 and 3.1 INSULBV28  
12a 4.1 to 8.1(T) 35mm Insulating Jackets for ball valves x6 INSULBV35
- Duca GEX-C Pump 25-75-130 c/w PWM Cable 78062008
- 28mm x 1.5" Pump Ball Isolating Valve K460306 (x2)
- DHW LOGHP\*\*\* Cylinder & G3 Kit c/w Expansion Vessel
- ThermaBlend Glycol 25 Litre Drum TX25
- Cylinder DHW Temperature Sensor  
17a Controller included with ASHP\* KJRH-120K
- 28mm Full Bore Lever Ball Isolating Valves Red/Blue (x6) TR28LBV

\* A new controller KJRH-L2 will soon be released and will be an additional cost to the unit

# CLIVET EDGE<sup>EVO</sup>2.0

For over thirty years Clivet have offered some of the most efficient systems, which achieve high energy savings while also being kind to the environment.

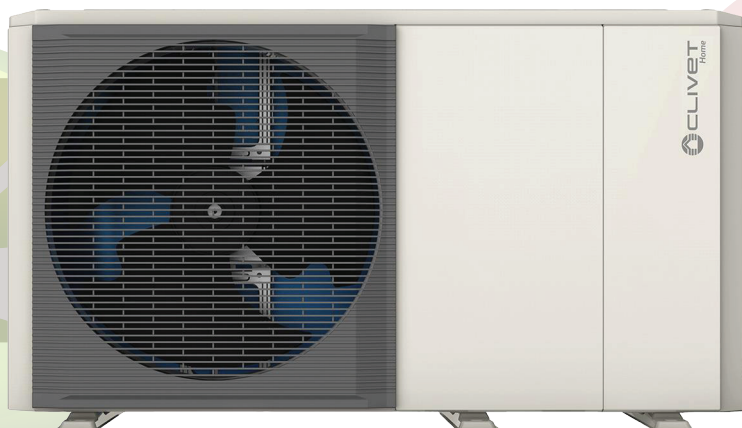
Hydronic module with DHW tank  
 EASYTANK Hydronic floor-standing module that can be combined with up to 16kW  
 EDGE heat pumps featuring elegant ALTO DESIGN aesthetics for perfect integration with your interior design.  
 simple to install as it only involves plumbing and electrical connections; complete with the main hydraulic components for the system;  
 choose between 190-litre or 250-litre for the correct DHW storage volume  
 Anti-Scald mixer valve; Electronic Anode; management via dedicated App.



## Features and Benefits

- **Advanced connectivity:** management via the dedicated Smart Home App or via the Modbus port with Contro/4 NRG standard supplied
- **Coastal protection coating** as standard
- **Up to seven years warranty** (terms & conditions apply)
- **Integral central heating pump**
- **Integral expansion vessel**
- **Controller can cascade up to six** heat pumps for larger systems
- **Controller and DHW** temperature sensor supplied as standard

**01283 218277**  
[sales@logicool-ac.com](mailto:sales@logicool-ac.com)



## Max Output kW at External Ambient Temperature

	-7	-5	-3	0	2	7
Edge Evo 2.0 WiSAN-YME 1 S 2.1	4.5	4.6	4.9	5.0	5.3	5.7
Edge Evo 2.0 WiSAN-YME 1 S 3.1	5.6	5.3	6.5	6.9	6.9	6.4
Edge Evo 2.0 WiSAN-YME 1 S 4.1	6.9	7.4	7.8	8.1	8.3	9.0
Edge Evo 2.0 WiSAN-YME 1 S 5.1	7.7	8.2	8.6	8.9	9.3	10.3
Edge Evo 2.0 WiSAN-YME 1 S 6.1	10.4	10.9	11.7	12.3	12.8	14.5
Edge Evo 2.0 WiSAN-YME-1-S-6.1T	10.4	10.9	11.7	12.3	12.8	14.5
Edge Evo 2.0 WiSAN-YME 1 S 7.1	11.9	12.1	12.5	12.7	13.3	15.7
Edge Evo 2.0 WiSAN-YME 1 S 7.1T	11.9	12.1	12.5	12.7	13.3	15.7
Edge Evo 2.0 WiSAN-YME 1 S 8.1	13.1	13.4	14.1	14.1	14.8	16.6
Edge Evo 2.0 WiSAN-YME 1 S 8.1T	13.1	13.4	14.1	14.1	14.8	16.6
Edge Evo 2.0 WiSAN-YME 1 S 9.1	16.2	17.6	17.6	18.2	20.0	18.5
Edge Evo 2.0 WiSAN-YME 1 S 10.1	19.8	20.9	22.4	21.6	23.0	22.7
Edge Evo 2.0 WiSAN-YME 1 S 12.1	21.5	22.5	24.1	25.1	26.2	27.4
Edge Evo 2.0 WiSAN-YME 1 S 14.1	22.7	23.8	25.4	26.5	28.2	31.0

35°C  
flow temperature

	-7	-5	-3	0	2	7
Edge Evo 2.0 WiSAN-YME 1 S 2.1	4.3	4.4	4.8	5.1	5.3	5.7
Edge Evo 2.0 WiSAN-YME 1 S 3.1	5.2	5.3	5.4	5.4	5.7	6.9
Edge Evo 2.0 WiSAN-YME 1 S 4.1	6.2	6.5	6.8	7.1	7.3	7.8
Edge Evo 2.0 WiSAN-YME 1 S 5.1	7.1	7.5	7.9	8.2	8.5	9.7
Edge Evo 2.0 WiSAN-YME 1 S 6.1	10.6	10.6	10.7	10.8	11.6	13.9
Edge Evo 2.0 WiSAN-YME-1-S-6.1T	10.6	10.6	10.7	10.8	11.6	13.9
Edge Evo 2.0 WiSAN-YME 1 S 7.1	11.3	11.1	11.5	11.8	12.6	14.5
Edge Evo 2.0 WiSAN-YME 1 S 7.1T	11.3	11.1	11.5	11.8	12.6	14.5
Edge Evo 2.0 WiSAN-YME 1 S 8.1	12.6	12.6	12.6	12.8	13.5	16.2
Edge Evo 2.0 WiSAN-YME 1 S 8.1T	12.6	12.6	12.6	12.8	13.5	16.2
Edge Evo 2.0 WiSAN-YME 1 S 9.1	10.1	11.0	12.6	15.2	17.7	18.4
Edge Evo 2.0 WiSAN-YME 1 S 10.1	12.6	13.8	15.7	18.4	21.0	22.8
Edge Evo 2.0 WiSAN-YME 1 S 12.1	15.3	16.4	18.4	21.0	23.1	26.8
Edge Evo 2.0 WiSAN-YME 1 S 14.1	16.5	18.0	19.9	22.7	24.7	30.6

45°C  
flow temperature

	-7	-5	-3	0	2	7
Edge Evo 2.0 WiSAN-YME 1 S 2.1	3.6	3.8	4.2	4.4	4.6	5.4
Edge Evo 2.0 WiSAN-YME 1 S 3.1	4.6	4.7	4.9	5.1	5.3	6.4
Edge Evo 2.0 WiSAN-YME 1 S 4.1	5.3	6.0	6.5	6.9	7.0	7.2
Edge Evo 2.0 WiSAN-YME 1 S 5.1	5.6	6.1	6.7	7.0	7.3	8.2
Edge Evo 2.0 WiSAN-YME 1 S 6.1	8.1	8.2	8.4	8.5	9.8	13.0
Edge Evo 2.0 WiSAN-YME-1-S-6.1T	8.1	8.2	8.4	8.5	9.8	13.0
Edge Evo 2.0 WiSAN-YME 1 S 7.1	8.0	8.3	8.9	9.3	10.3	13.2
Edge Evo 2.0 WiSAN-YME 1 S 7.1T	8.0	8.3	8.9	9.3	10.3	13.2
Edge Evo 2.0 WiSAN-YME 1 S 8.1	8.3	8.6	9.2	9.6	10.8	14.1
Edge Evo 2.0 WiSAN-YME 1 S 8.1T	8.3	8.6	9.2	9.6	10.8	14.1
Edge Evo 2.0 WiSAN-YME 1 S 9.1	8.0	9.4	10.7	13.6	16.8	18.4
Edge Evo 2.0 WiSAN-YME 1 S 10.1	9.2	10.7	13.4	16.5	19.6	22.4
Edge Evo 2.0 WiSAN-YME 1 S 12.1	11.5	12.4	16.0	19.2	21.6	24.3
Edge Evo 2.0 WiSAN-YME 1 S 14.1	12.2	13.9	18.0	21.6	23.1	27.3

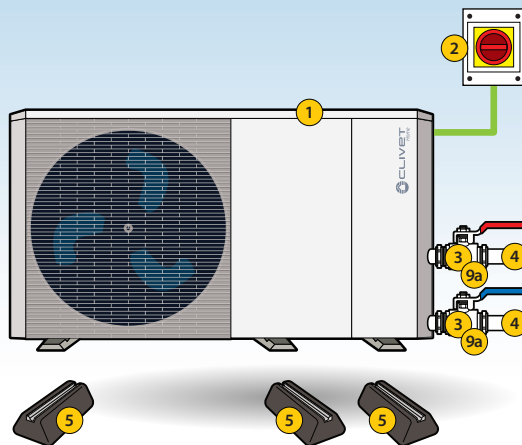
55°C  
flow temperature

(All specifications and performance statistics, particularly part numbers are subject to change by the manufacturers. If in doubt, please speak to our technical services department.)

# CLIVET EDGE<sub>EVO2.0</sub>

## EDGE<sub>EVO2.0</sub> WISAN-YME 1 S outdoor unit model reference

Model	Outlet Connection (BSP ml)	Fuse Amps (phase)	ENA Number	Connect and Notify
2.1	1"	25 (1 <sub>ph</sub> )	CLIVE/02567/V1	Yes
3.1	1"	25 (1 <sub>ph</sub> )	CLIVE/08828/V1	Yes
4.1	1.25"	25 (1 <sub>ph</sub> )	CLIVE/02934/V1	Yes
5.1	1.25"	25 (1 <sub>ph</sub> )	CLIVE/04703/V1	Yes
6.1	1.25"	16 (1 <sub>ph</sub> )	CLIVE/01702/V1	Yes
6.1T	1.25"	16 (3 <sub>ph</sub> )	CLIVE/06502/V1	Yes
7.1	1.25"	16 (1 <sub>ph</sub> )	CLIVE/06449/V1	Yes
7.1T	1.25"	16 (3 <sub>ph</sub> )	CLIVE/06829/V1	Yes
8.1	1.25"	16 (1 <sub>ph</sub> )	CLIVE/04413/V1	Yes
8.1T	1.25"	16 (3 <sub>ph</sub> )	CLIVE/03137/V1	Yes



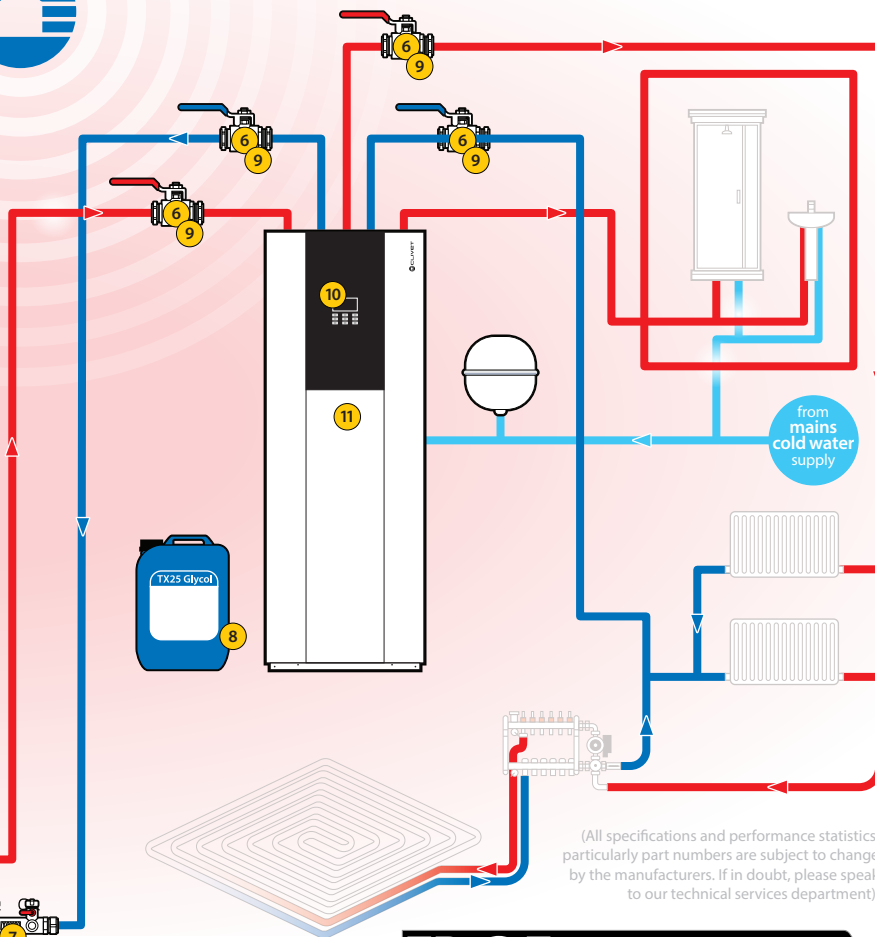
Full range of carefully selected accessories for use with Low Temp, Low Flow systems  
Up to A+++ efficiency system  
ENO Compliant  
In stock at Logicool

EDGE<sub>EVO2.0</sub>



WiFi ready  
as standard

# LOGICOOL AIR CONDITIONING & HEAT PUMPS



(All specifications and performance statistics, particularly part numbers are subject to change by the manufacturers. If in doubt, please speak to our technical services department.)

## EDGE<sub>EVO2.0</sub> WISAN-YME 1 S

Model	Min. Flow Rate (Litres per minute)	Recommended Flow Rate (L/pm)	Max. Flow Rate (Litres per minute)	Min. System Volume (litres)
2.1	6.6	11.4	14.2	30
3.1	6.6	17.4	20.8	30
4.1	6.6	22.8	27.5	70
5.1	6.6	28.8	33.3	70
6.1	11.6	34.2	41.7	70
6.1T	11.6	40.2	45.8	70
7.1	11.6	45.6	50.0	70
7.1T	11.6	34.2	41.8	70
8.1	11.6	40.2	45.8	70
8.1T	11.6	45.6	50.0	70

schematic presented by



01283 218277  
sales@logicool-ac.com

## Clivet Edge Evo 2.0 2.1-8.1 Kit 2

Clivet Easytank Packaged Cylinder

- Clivet Edge Evo 2.0 4kW - 16kW
- Electrical Isolator IMO-IS4P32-1P
- F Swivel x M Extended Lever Ball Isolating Valve (x2) HPBV11 1" (2.1 or 3.1) or HPBV114 1.25" x1" (4.1+)
- 750mm long 1" Swivel Bent Female x 28mm Cu Insulated Hoses (pair) HPHOSE750B
- Single 600mm Standard Rubber Mount and M10 x 40 Stud Nuts (x3) SF4060 + SF4023
- 28mm Full Bore Lever Ball Isolating Valves Red/Blue TR28LBV (x4)
- 28mm Flow Balancing Valve with Fill & Flush Ports INFVB2850
- ThermaBlend Glycol 25 Litre Drum TX25
- 28mm/1" Insulating Jacket for Ball Valves 2.1 & 3.1 x 2, all units x 4 for cylinder INSULBV28
- 4.1 + 32mm/1 1/4" Insulating Jacket for Ball Valves INSULBV35
- Controller included with Easy Tank
- Easy Tank HQCN-NEE ITC A Cylinder & G3 Kit c/w Expansion Vessel (190 or 250 options)

below: Clivet Easy Tank



# CLIVET EDGE<sub>EVO2.0</sub>

For over thirty years Clivet have offered some of the most efficient systems, which achieve high energy savings while also being kind to the environment.

Hydronic module with DHW tank  
EASYTANK Hydronic floor-standing module that can be combined with up to 16kW EDGE heat pumps featuring elegant ALTO DESIGN aesthetics for perfect integration with your interior design.

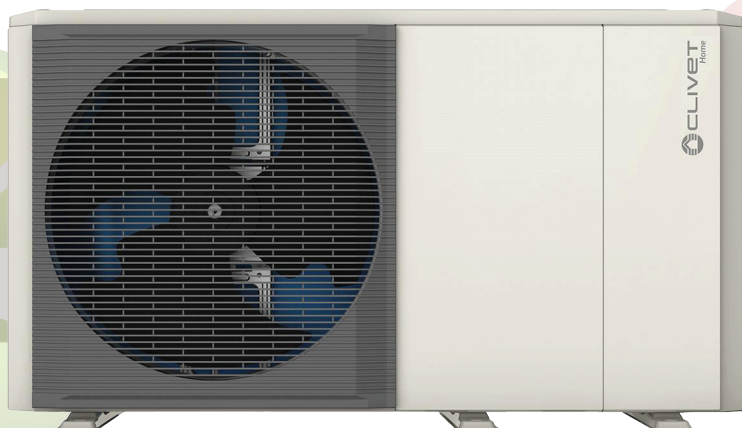
simple to install as it only involves plumbing and electrical connections; complete with the main hydraulic components for the system; choose between 190-litre or 250-litre for the correct DHW storage volume  
Anti-Scald mixer valve; Electronic Anode; management via dedicated App.



## Features and Benefits

- **Advanced connectivity:** management via the dedicated Smart Home App or via the Modbus port with Contro/4 NRG standard supplied
- **Coastal protection coating** as standard
- **Up to seven years warranty** (terms & conditions apply)
- **Integral central heating pump**
- **Integral expansion vessel**
- **Controller can cascade up to six heat pumps** for larger systems
- **Controller and DHW temperature sensor** supplied as standard

**01283 218277**  
sales@logicool-ac.com



## Max Output kW at External Ambient Temperature

	-7	-5	-3	0	2	7
Edge Evo 2.0 WiSAN-YME 1 S 2.1	4.5	4.6	4.9	5.0	5.3	5.7
Edge Evo 2.0 WiSAN-YME 1 S 3.1	5.6	5.3	6.5	6.9	6.9	6.4
Edge Evo 2.0 WiSAN-YME 1 S 4.1	6.9	7.4	7.8	8.1	8.3	9.0
Edge Evo 2.0 WiSAN-YME 1 S 5.1	7.7	8.2	8.6	8.9	9.3	10.3
Edge Evo 2.0 WiSAN-YME 1 S 6.1	10.4	10.9	11.7	12.3	12.8	14.5
Edge Evo 2.0 WiSAN-YME-1-S-6.1T	10.4	10.9	11.7	12.3	12.8	14.5
Edge Evo 2.0 WiSAN-YME 1 S 7.1	11.9	12.1	12.5	12.7	13.3	15.7
Edge Evo 2.0 WiSAN-YME 1 S 7.1T	11.9	12.1	12.5	12.7	13.3	15.7
Edge Evo 2.0 WiSAN-YME 1 S 8.1	13.1	13.4	14.1	14.1	14.8	16.6
Edge Evo 2.0 WiSAN-YME 1 S 8.1T	13.1	13.4	14.1	14.1	14.8	16.6
Edge Evo 2.0 WiSAN-YME 1 S 9.1	16.2	17.6	17.6	18.2	20.0	18.5
Edge Evo 2.0 WiSAN-YME 1 S 10.1	19.8	20.9	22.4	21.6	23.0	22.7
Edge Evo 2.0 WiSAN-YME 1 S 12.1	21.5	22.5	24.1	25.1	26.2	27.4
Edge Evo 2.0 WiSAN-YME 1 S 14.1	22.7	23.8	25.4	26.5	28.2	31.0

35°C  
flow temperature

	-7	-5	-3	0	2	7
Edge Evo 2.0 WiSAN-YME 1 S 2.1	4.3	4.4	4.8	5.1	5.3	5.7
Edge Evo 2.0 WiSAN-YME 1 S 3.1	5.2	5.3	5.4	5.4	5.7	6.9
Edge Evo 2.0 WiSAN-YME 1 S 4.1	6.2	6.5	6.8	7.1	7.3	7.8
Edge Evo 2.0 WiSAN-YME 1 S 5.1	7.1	7.5	7.9	8.2	8.5	9.7
Edge Evo 2.0 WiSAN-YME 1 S 6.1	10.6	10.6	10.7	10.8	11.6	13.9
Edge Evo 2.0 WiSAN-YME-1-S-6.1T	10.6	10.6	10.7	10.8	11.6	13.9
Edge Evo 2.0 WiSAN-YME 1 S 7.1	11.3	11.1	11.5	11.8	12.6	14.5
Edge Evo 2.0 WiSAN-YME 1 S 7.1T	11.3	11.1	11.5	11.8	12.6	14.5
Edge Evo 2.0 WiSAN-YME 1 S 8.1	12.6	12.6	12.6	12.8	13.5	16.2
Edge Evo 2.0 WiSAN-YME 1 S 8.1T	12.6	12.6	12.6	12.8	13.5	16.2
Edge Evo 2.0 WiSAN-YME 1 S 9.1	10.1	11.0	12.6	15.2	17.7	18.4
Edge Evo 2.0 WiSAN-YME 1 S 10.1	12.6	13.8	15.7	18.4	21.0	22.8
Edge Evo 2.0 WiSAN-YME 1 S 12.1	15.3	16.4	18.4	21.0	23.1	26.8
Edge Evo 2.0 WiSAN-YME 1 S 14.1	16.5	18.0	19.9	22.7	24.7	30.6

45°C  
flow temperature

	-7	-5	-3	0	2	7
Edge Evo 2.0 WiSAN-YME 1 S 2.1	3.6	3.8	4.2	4.4	4.6	5.4
Edge Evo 2.0 WiSAN-YME 1 S 3.1	4.6	4.7	4.9	5.1	5.3	6.4
Edge Evo 2.0 WiSAN-YME 1 S 4.1	5.3	6.0	6.5	6.9	7.0	7.2
Edge Evo 2.0 WiSAN-YME 1 S 5.1	5.6	6.1	6.7	7.0	7.3	8.2
Edge Evo 2.0 WiSAN-YME 1 S 6.1	8.1	8.2	8.4	8.5	9.8	13.0
Edge Evo 2.0 WiSAN-YME-1-S-6.1T	8.1	8.2	8.4	8.5	9.8	13.0
Edge Evo 2.0 WiSAN-YME 1 S 7.1	8.0	8.3	8.9	9.3	10.3	13.2
Edge Evo 2.0 WiSAN-YME 1 S 7.1T	8.0	8.3	8.9	9.3	10.3	13.2
Edge Evo 2.0 WiSAN-YME 1 S 8.1	8.3	8.6	9.2	9.6	10.8	14.1
Edge Evo 2.0 WiSAN-YME 1 S 8.1T	8.3	8.6	9.2	9.6	10.8	14.1
Edge Evo 2.0 WiSAN-YME 1 S 9.1	8.0	9.4	10.7	13.6	16.8	18.4
Edge Evo 2.0 WiSAN-YME 1 S 10.1	9.2	10.7	13.4	16.5	19.6	22.4
Edge Evo 2.0 WiSAN-YME 1 S 12.1	11.5	12.4	16.0	19.2	21.6	24.3
Edge Evo 2.0 WiSAN-YME 1 S 14.1	12.2	13.9	18.0	21.6	23.1	27.3

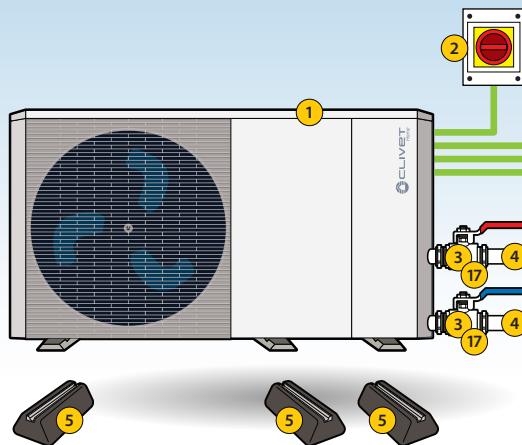
55°C  
flow temperature

(All specifications and performance statistics, particularly part numbers are subject to change by the manufacturers. If in doubt, please speak to our technical services department.)

# CLIVET EDGE<sub>EVO2.0</sub>

## EDGE<sub>EVO2.0</sub> WISAN-YME 1 S outdoor unit model reference

Model	Outlet Connection (BSP ml)	Fuse Amps (phase)	ENA Number	Connect and Notify
2.1	1"	25 (1 $\mu$ )	CLIVE/02567/V1	Yes
3.1	1"	25 (1 $\mu$ )	CLIVE/08828/V1	Yes
4.1	1.25"	25 (1 $\mu$ )	CLIVE/02934/V1	Yes
5.1	1.25"	25 (1 $\mu$ )	CLIVE/04703/V1	Yes
6.1	1.25"	16 (1 $\mu$ )	CLIVE/01702/V1	Yes
6.1T	1.25"	16 (3 $\mu$ )	CLIVE/06502/V1	Yes
7.1	1.25"	16 (1 $\mu$ )	CLIVE/06449/V1	Yes
7.1T	1.25"	16 (3 $\mu$ )	CLIVE/06829/V1	Yes
8.1	1.25"	16 (1 $\mu$ )	CLIVE/04413/V1	Yes
8.1T	1.25"	16 (3 $\mu$ )	CLIVE/03137/V1	Yes



Full range of carefully selected accessories for use with Low Temp, Low Flow systems  
Up to A+++ efficiency system  
ENO Compliant  
In stock at Logicool

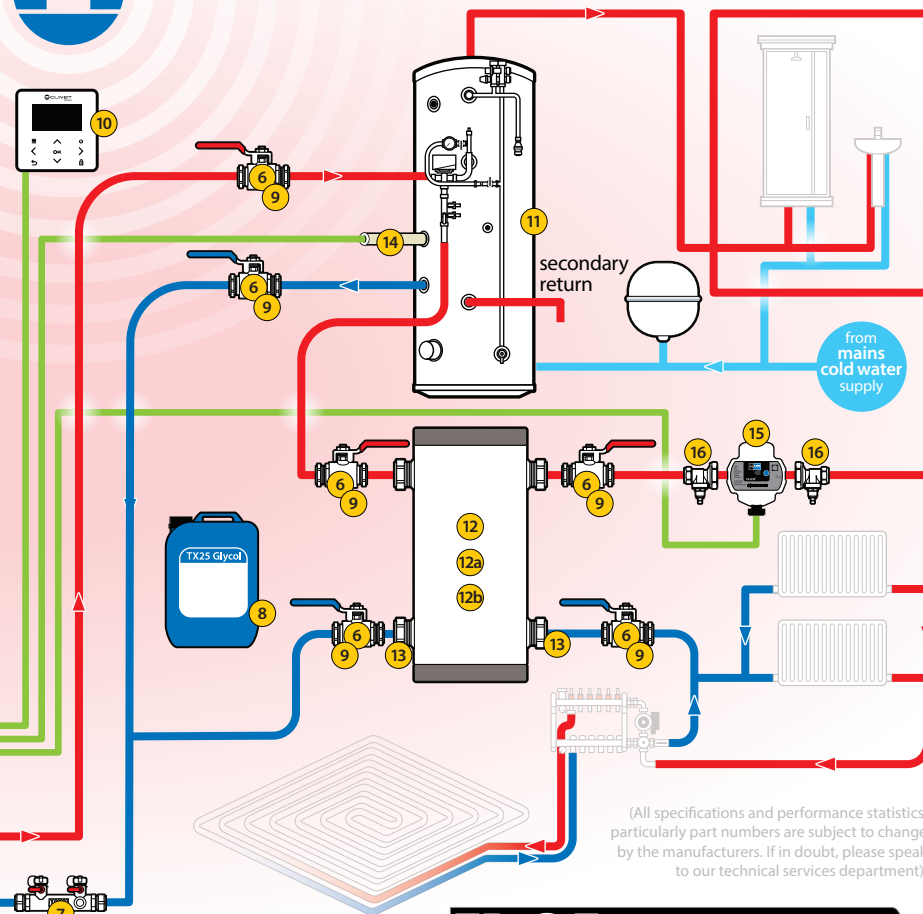
EDGE<sub>EVO2.0</sub>



WiFi ready  
as standard

# LOGICOOL

AIR CONDITIONING & HEAT PUMPS



(All specifications and performance statistics, particularly part numbers are subject to change by the manufacturers. If in doubt, please speak to our technical services department).

## EDGE<sub>EVO2.0</sub> WISAN-YME 1 S

Model	Min. Flow Rate (Litres per minute)	Recommended Flow Rate (L/pm)	Max. Flow Rate (Litres per minute)	Min. System Volume (litres)
2.1	6.6	11.4	14.2	30
3.1	6.6	17.4	20.8	30
4.1	6.6	22.8	27.5	70
5.1	6.6	28.8	33.3	70
6.1	11.6	34.2	41.7	70
6.1T	11.6	40.2	45.8	70
7.1	11.6	45.6	50.0	70
7.1T	11.6	34.2	41.8	70
8.1	11.6	40.2	45.8	70
8.1T	11.6	45.6	50.0	70

schematic presented by



01283 218277  
sales@logicool-ac.com

## Clivet Edge Evo 2.0 2.1-8.1

## Kit 3

DHW with Pre-Plumbed Cylinder

- Clivet Edge Evo 2.0 4kW - 16kW
- Electrical Isolator IMO-IS4P32-1P
- F Swivel x M Extended Lever Ball Isolating Valve (x2) HPBV11 1" (2.1 or 3.1) or HPBV114 1.25" x1" 4.1+(x2)
- 750mm long 1" Swivel Bent Female x 28mm Cu Insulated Hoses (pair) HPHOSE750B
- Single 600mm Standard Rubber Mount and M10 x 40 Stud Nuts (x3) SF4060 + SF4023
- 28mm Full Bore Lever Ball Isolating Valves Red/Blue TR28LBV (x6)
- 28mm Flow Balancing Valve with Fill & Flush Ports INFVB2850
- ThermaBlend Glycol 25 Litre Drum TX25
- 28mm/1" Insulating Jacket for Ball Valves x8 for 2.1 & 3.1 x6 for 4.1 + INSULBV28
- Controller included with Edge Evo 2.0 KJRH-120K\*
- Pre-Plumbed Cylinder Standard LOGHPP\*\*\*\* 150 to 600Ltr or LOGHPPN\*\*\*\* 120 to 200Ltr Slimline
- Buffer Vessel BUFF25 up to 3.1, BUFF50 4:1 to 8.1(T)  
12a 0.5" Male Automatic Air Vent AAV007 & K360129  
12b 0.5" Male Drain Cock K234004 & K360129
- 1" Male x 28mm Iron to Copper Adaptors (x4)
- Clivet T18X Water Temperature Sensor included with Edge EVO 2.0
- Duca GEX-C Pump 25-75-130 78062008
- 28mm x 1.5" Pump Ball Isolating Valve K460306 (x2)
- 4.1 to 8.1(T) 35mm Insulating Jackets for ball valves x2 INSULBV35

\* A new controller KJRH-L2 will soon be released and will be an additional cost to the unit

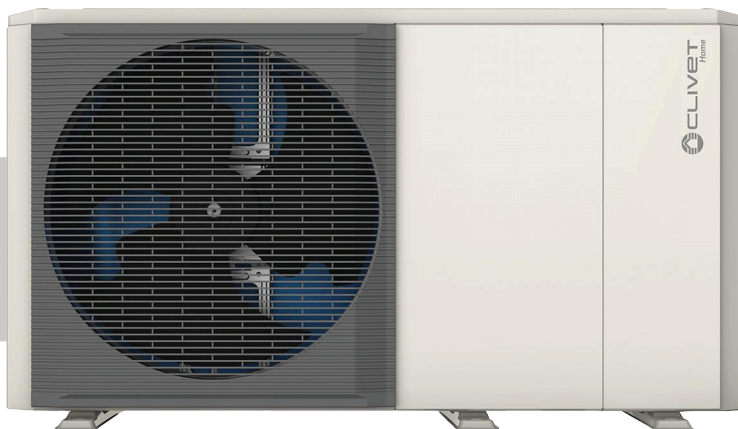
# CLIVET

## EDGE<sup>EVO</sup>2.0

For over thirty years Clivet have offered some of the most efficient systems, which achieve high energy savings while also being kind to the environment.

The Edge EVO 2.0- EXC is extremely versatile and able to adapt to whichever type of DHW cylinder the developer wishes to specify, be a standard, pre-plumbed or packaged cylinder.

For many new build properties a system volumiser can be utilised instead of a buffer vessel, this takes away the need for a second pump on the heating primary flow. The Edge EVO will supply heating and domestic hot water, improving comfort and efficiency, as well as ensuring peace of mind with a 7 year warranty.



Max Output kW at External Ambient Temperature		-7	-5	-3	0	2	7
Edge Evo 2.0 WiSAN-YME 1 S 2.1	35°C flow temperature	4.5	4.6	4.9	5.0	5.3	5.7
		Edge Evo 2.0 WiSAN-YME 1 S 3.1	5.6	5.3	6.5	6.9	6.9
Edge Evo 2.0 WiSAN-YME 1 S 2.1	45°C flow temperature	4.3	4.4	4.8	5.1	5.3	5.7
		Edge Evo 2.0 WiSAN-YME 1 S 3.1	5.2	5.3	5.4	5.4	5.7
Edge Evo 2.0 WiSAN-YME 1 S 2.1	55°C flow temperature	3.6	3.8	4.2	4.4	4.6	5.4
		Edge Evo 2.0 WiSAN-YME 1 S 3.1	4.6	4.7	4.9	5.1	5.3

(All specifications and performance statistics, particularly part numbers are subject to change by the manufacturers. If in doubt, please speak to our technical services department).

## Features and Benefits

- **Advanced connectivity:** management via the dedicated Smart Home App or via the Modbus port with Contro/4 NRG standard supplied
- Coastal protection coating as standard
- Up to seven years warranty (terms & conditions apply)
- Integral central heating pump
- Integral expansion vessel
- Controller can cascade up to six heat pumps for larger systems
- Controller and DHW temperature sensor supplied as standard

**LOGICOL**  
RUN BY ENGINEERS-FOR ENGINEERS

**01283 218277**  
sales@logicool-ac.com

# CLIVET EDGE<sub>EVO2.0</sub>

## EDGE<sub>EVO2.0</sub> WISAN-YME 1 S outdoor unit model reference

Model	Outlet Connection (BSP ml)	Fuse Amps (phase)	EVA Number	Connect and Notify
2.1	1"	25 (1 <sub>ph</sub> )	CLIVE/02567/V1	Yes
3.1	1"	25 (1 <sub>ph</sub> )	CLIVE/08828/V1	Yes

Full range of carefully selected accessories for use with Low Temp, Low Flow systems

Up to A+++ efficiency system

ENO Compliant

In stock at Logicool

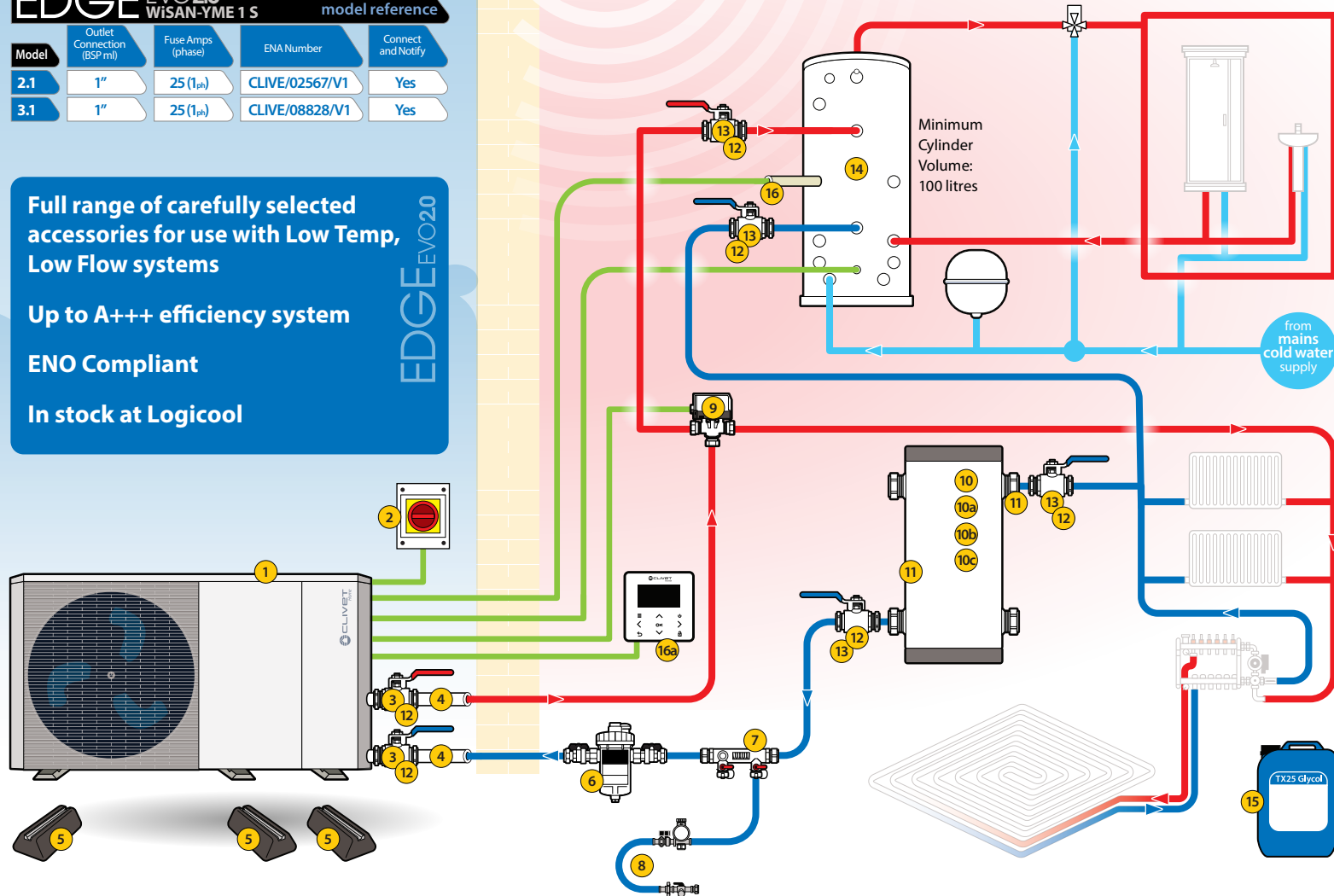
EDGE<sub>EVO2.0</sub>



# LOGICOOL

AIR CONDITIONING & HEAT PUMPS

(All specifications and performance statistics, particularly part numbers are subject to change by the manufacturers. If in doubt, please speak to our technical services department).



## Clivet Edge Evo 2.0 2.1-3.1 **Kit 4** (with Cylinder and Volumizer)

- Clivet Edge Evo 2.0 4kW - 6 kW
- Electrical Isolator **IMO-IS4P32-1P**
- F Swivel x M Extended Lever Ball Isolating Valve (x2) **HPBV11 1"** (2.1 or 3.1) or **HPBV114 1.25" x 1"** (4.1+)
- 750mm long 1" Swivel Bent Female x 28mm Cu Insulated Hoses (pair) **HPHOSE750B**
- Single 600mm Standard Rubber Mount and M10 x 40 Stud Nuts (x3) **SF4060 + SF4023**
- 28mm Magnetic Filter **IKHPMF28**
- 28mm Flow Balancing Valve with Fill & Flush Ports **INFBV2850**
- 15mm Filling Loop with Gauge WRAS Approved **FL12041515**
- 28mm Three Way Diverting Valve **B328DIV**
- Buffer Vessel **BUFF25** (Piped as volumiser)  
10a 0.5" Male Automatic Air Vent **AAV007 + K360125**  
10b 0.5" Male Drain Cock **K234004 + K360125**  
10c 1" Brass Blanking Plugs **K360206 (x2)**
- 1" Male x 28mm Iron to Copper Adaptor Buffer **K920406**
- 28mm/1" Insulating Jacket for Ball Valves x6 **INSULBV28**
- 28mm Full Bore Lever Ball Isolating Valves Red/Blue (x4) **TR28LBV**
- DHW LOGHP\*\*\* Cylinder & G3 Kit with Expansion Vessel (standard & slimline available)
- ThermaBlend Glycol 25 Litre Drum **TX25**
- Cylinder DHW Temperature Sensor
- 16a Controller included with Edge EVO 2.0 **KJRH-120K \***

schematic presented by  
**easy**  
heat pumps

**01283 218277**  
sales@logicool-ac.com

EDGE <sub>EVO2.0</sub> WISAN-YME 1 S				
Model	Min. Flow Rate (Litres per minute)	Recommended Flow Rate (L/pm)	Max. Flow Rate (Litres per minute)	Min. System Volume (litres)
2.1	6.6	11.4	14.2	30
3.1	6.6	17.4	20.8	30

\* A new controller KJRH-L2 will soon be released and will be an additional cost to the unit