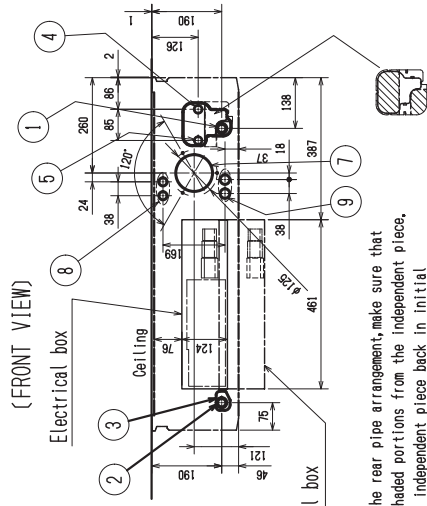
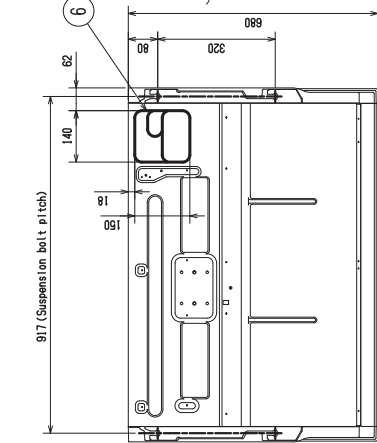
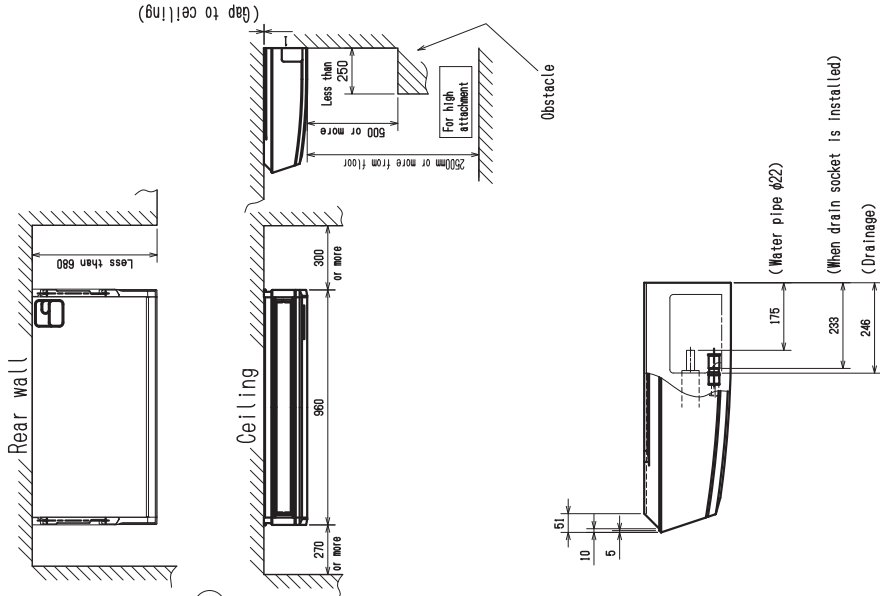


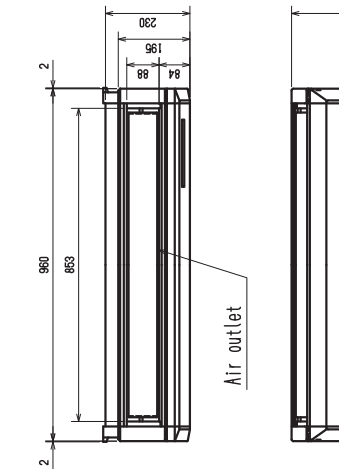
PCFY-WL40VKM-E

Unit: mm

Allowing clearances



When electrical box is pulled down
In case of the rear pipe arrangement, make sure that remove the shaded portions from the independent piece. Then put the independent piece back in initial position. (The heat exchanger might be clogged because of dust)



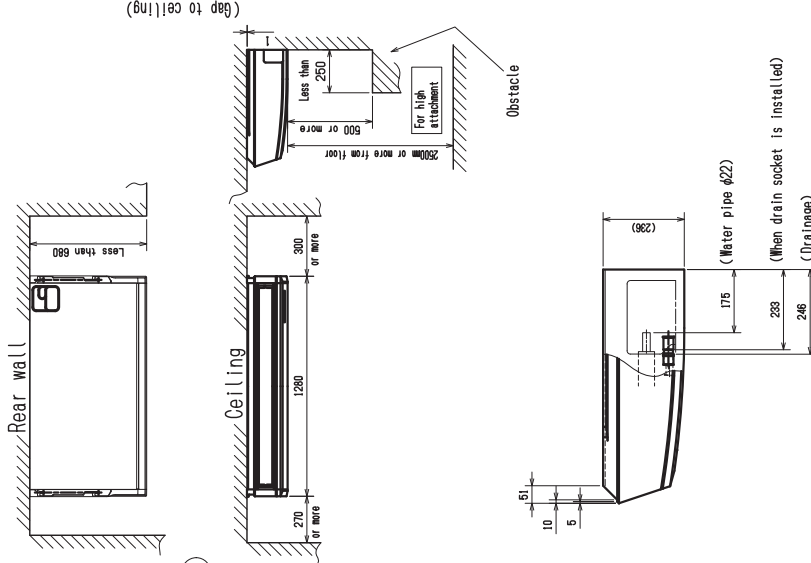
NOTES,
1. Use M10 or M3/8 screw for anchor bolt,

- ① Drainage pipe connection (26mm I.D.)
- ② Drainage pipe connection (for the left arrangement)
- ③ Knock out hole for left drain-piping arrangement
- ④ Water-pipe connection (Water outlet pipe O.D. φ22)
- ⑤ Water-pipe connection (Water inlet pipe O.D. φ22)
- ⑥ Knock out hole for upper drain pipe arrangement
- ⑦ Knock out hole for fresh air intake φ100
- ⑧ Knock out hole for wiring arrangement 2-φ22
- ⑨ Knock out hole for wiring arrangement 2-φ26

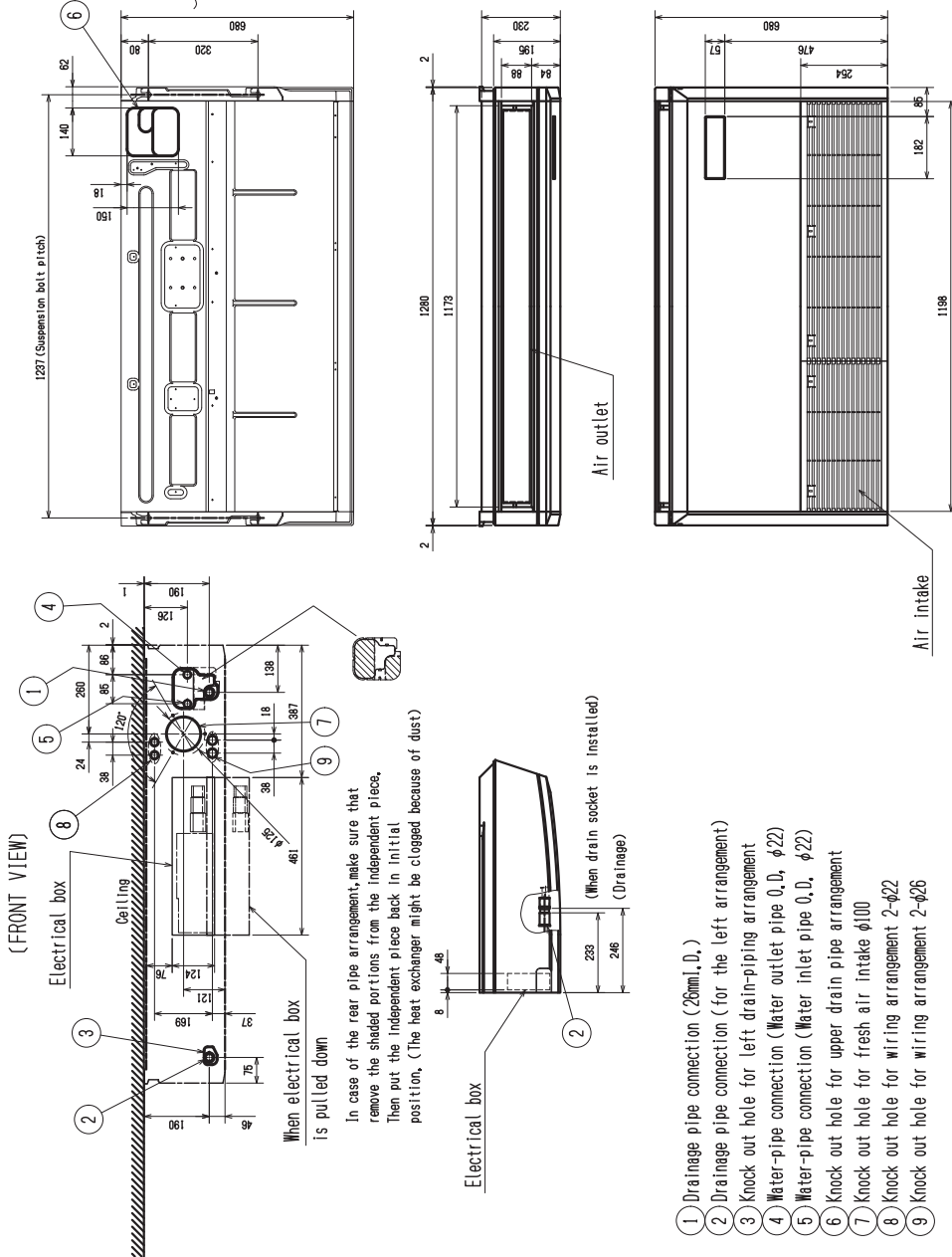
PCFY-WL63VKM-E

Unit: mm

Allowing clearances



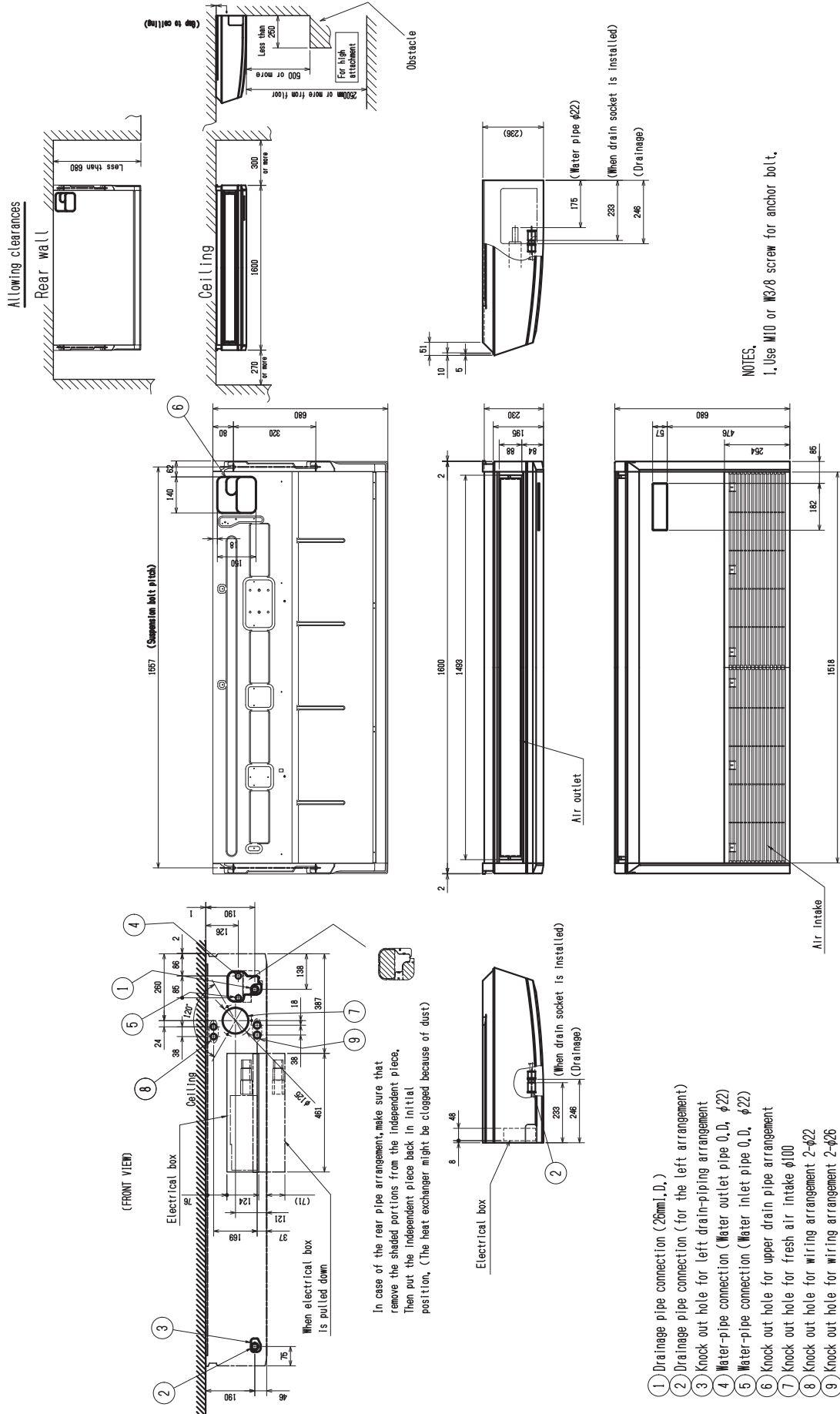
NOTES,
1. Use M10 or W3/8 screw for anchor bolt.



- ① Drainage pipe connection (25mm, D.)
- ② Drainage pipe connection (for the left arrangement)
- ③ Knock out hole for left drain-piping arrangement
- ④ Water-pipe connection (Water outlet pipe O.D. $\phi 22$)
- ⑤ Water-pipe connection (Water inlet pipe O.D. $\phi 22$)
- ⑥ Knock out hole for upper drain pipe arrangement
- ⑦ Knock out hole for fresh air intake $\phi 100$
- ⑧ Knock out hole for wiring arrangement 2- $\phi 22$
- ⑨ Knock out hole for wiring arrangement 2- $\phi 26$

PCFY-WL80,100VKM-E

Unit: mm



- NOTES:
1. Use M10 or M3/8 screw for anchor bolt.
- ① Drainage pipe connection (25mm I.D.)
 - ② Drainage pipe connection (for the left arrangement)
 - ③ Knock out hole for left drain-piping arrangement
 - ④ Water-pipe connection (Water outlet pipe O.D. ϕ 22)
 - ⑤ Water-pipe connection (Water inlet pipe O.D. ϕ 22)
 - ⑥ Knock out hole for upper drain pipe arrangement
 - ⑦ Knock out hole for fresh air intake ϕ 100
 - ⑧ Knock out hole for wiring arrangement 2- ϕ 22
 - ⑨ Knock out hole for wiring arrangement 2- ϕ 26