

CENTRAL STATION  
PSC-A32MN



## 1 SAFETY SUMMARY

This product has been designed for air conditioning systems.

### DANGER

- **DO NOT pour water into the central station (hereafter called "controller"). This product is equipped with electrical parts. If water is poured, it will cause a serious electrical shock.**
- **Prior to the installation work, ensure that foundation is flat, level and sufficiently strong and then fix the unit securely. If the foundation is not strong enough, it may lead to injuries caused by falling of the product, electrical shock or fire.**
- **DO NOT install the unit in a place where generation, flow, accumulation or leakage of flammable gas is detected.**
- **DO NOT perform installation work and electrical wiring connection by yourself. Contact your distributor or dealer of HITACHI and ask them for installation work and electrical wiring by a trained service person.**
- **Perform electrical work according to the Installation Manual and all relevant regulation and standards. If the instructions are not followed, electrical shock and fire may occur due to insufficient capacity and inadequate performance.**
- **Use the specified cables for connection between indoor unit and central station. Selecting incorrect cables may lead to fire or electrical shock.**
- **Turn OFF the main power supply entirely before opening or closing the service cover of the indoor unit, since the power terminal or the power switch part may otherwise be still powered on and cause an electrical shock. Turn OFF the main power supply also when performing wiring works.**
- **When performing local wiring work, check whether the local wiring has been gnawed by animals like mice or small rodents. Gnawed wiring could cause a fire.**

### CAUTION

- **DO NOT install the indoor unit, outdoor unit, central station and cable in the following places;**
  - Where oil vapour or oil is dispersed (It may cause a fire, deformation, corrosion or failure.)
  - In the vicinity of hot springs (in a sulphuric environment)
  - In the vicinity of the sea (in a salty environment, which may cause corrosion.)
  - In an acid or alkaline environment
  - At the reach of children
  - Under direct blow of discharge air from the unit
  - In places with humid atmosphere
  - In places where the unit may get wet
  - In poorly ventilated places
- **DO NOT install the indoor unit, outdoor unit, central station and cable within approximately 3 metres from strong electromagnetic wave radiators such as a radio.**
- **In case that the central station is installed in a place where electromagnetic wave radiation is generated, shield the central station and cables by covering the unit with a steel box and running the cable through a metal conduit tube.**

### CAUTION

- **This appliance must be used only by adult and capable people, having received the technical information or instructions to handle this appliance properly and safely.**
- **Children should be supervised to ensure that they do not play with the appliance.**

## 2 COMPONENTS LIST

When unpacking Central Station PSC-A32MN, check that it has not suffered damage during transport.

Check to ensure that the following parts are packed with the central station.

Name	Quantity	Comments
Central station PSC-A32MN	1	For controlling system operation
M4x16L screws	4	For fixing the central station.
Touch pen	2	For activating/deactivating the touch options on the screen.
Touch pen holder	1	For holding the touch pen on the central station.
USB stick memory	1	With the detailed Installation and operation manual
Instruction manual	1	Basic instructions for the installation of the device.
Connector Cord	3	For using external input/output functions (CN1~3).
Closed End Connector	9	For closing the wire end of the connection cord.
Nylon Band	3	For fixing the cables.

### 3 INSTALLATION

Check installation instructions inside the USB Pen Drive Memory.

#### 3.1 SELECTION OF INSTALLATION PLACE

Select a suitable place for handling and determine the installation place of the central station with the customer's acceptance.

Do not install the central station in places which are at the reach of children or where the air from the air conditioner is directly discharged.

Prior to the installation work, ensure that the foundation is flat, level and sufficiently strong, and then fix the unit securely. If the foundation is not strong enough, it may lead to injuries caused by falling of the product, electrical shock or fire.

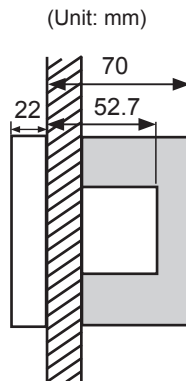
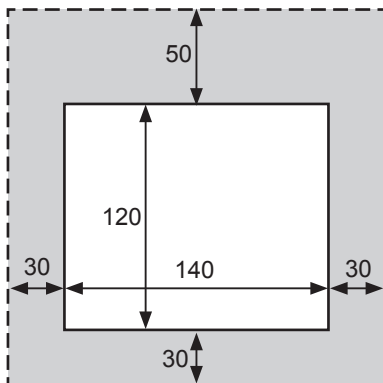
Before installing the controller, prepare the following items.

Parts	Specification
Switch Box	JIS switch box for 2 switches (with cover) (JIS C 8340)
Power Supply Cable	Cable specification: 1.25 to 2 mm <sup>2</sup> Recommended cable: 600V CV, CCV, CEV
H-LINK Cable (For control)	Cable SPEC: 0.75 to 1.25 mm <sup>2</sup> Recommended cable: JKEPV-S, JKEV-S, CVV-S, CVV, 600V VCT

\* The recommended cables are the model name of Hitachi Cable, Ltd.

#### 3.2 INSTALLATION SPACE

Keep the installation space for the central station as shown below.



When installing two or more central stations side by side, keep the following separation between each of them.

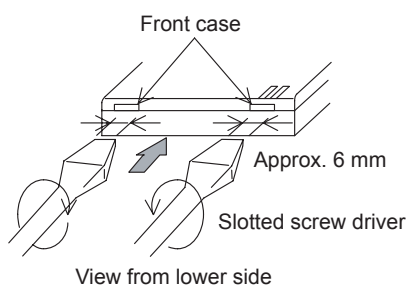
- \* Vertical space: 50mm
- \* Horizontal space: 30mm

Do not place anything in the shaded area "■".

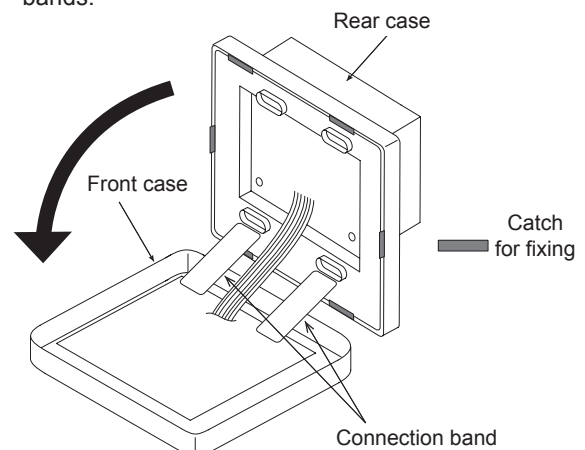
#### 3.3 INSTALLATION PROCEDURE

- 1 Install the switch box into the wall. (Field supplied JIS switch box for 2 switches (with cover) (JIS C 8340))
- 2 Open the unit case, in case that it is closed. (It is shipped opened from the factory). Follow the procedure below to open the case.

- a. Remove the front side of the case by inserting and rotating a tool like the tip of a slotted screwdriver in the notches (2 notches on the lower side).

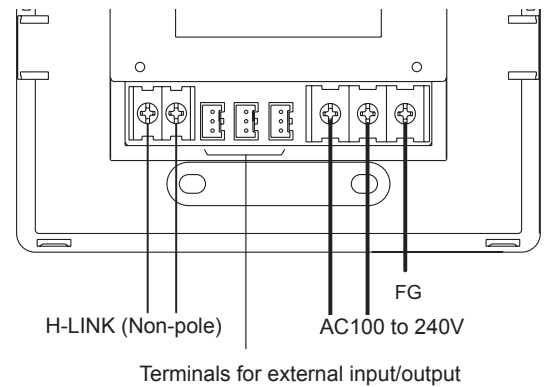


- b. To open the case, pull up the front side from the bottom and unhook the tabs at the upper and lateral sides. Do not apply an excessive force when opening the front and rear sides of the case, as they are joined with connection bands.

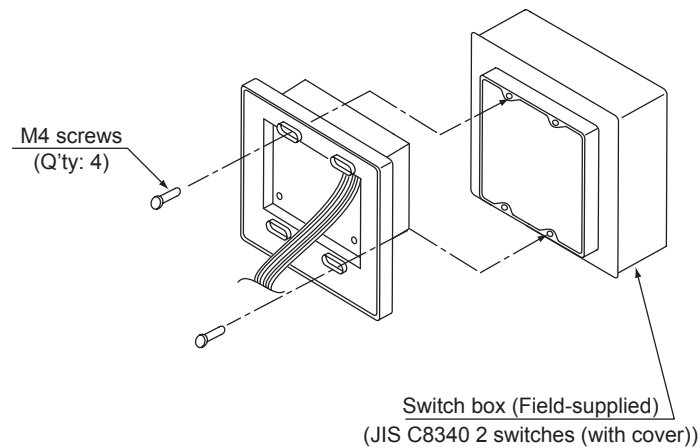


**3** Connect the wiring to the terminal board of the central station.

Terminal Board	Use	Connection procedure
TB1	For power supply	M3 screw-on terminal
TB2	For H-LINK transmission	Round terminal connection Tightening torque 0.5N·m
CN1 ~ 3	For external input/output	3-pin connector Insert connector cords (accessory) until hearing a click.



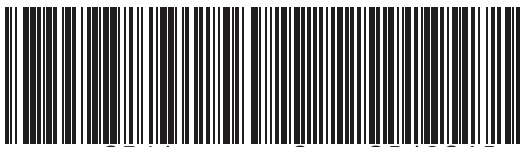
**4** Fix the switch box (field-supplied JIS switch box for 2 switches (with cover) (JIS C 8340)) using the accessory fixing screw (M4 × 16 mm).



**4 GENERAL DATA**

Model	PSC-A32MN
Outer Dimension <W x H x D + (Built-in Part)>	140 × 120 × 22 + 52.7 (mm)
Net Weight	0.5 kg (approx.)
Installation Location	Indoor
Installation Method	Wall built-in with JIS switch box for 2 switches (with cover) (JIS C 8340)
Connected Indoor Units (Quantity)	160 (Max.)
Clock Accuracy	± 70 seconds/month (at normal temperature)
Ambient Temperature	5 ~ 35°C
Ambient Humidity	35 ~ 90% (No dew condensation)
Display	5.0" TFT colour liquid crystal display
Rated Power Supply	1~, 100~240V, 50/60Hz
Electrical Power Consumption	20W (Max.)

00000



PMML0364B rev.0 - 05/2015

Printed in Spain