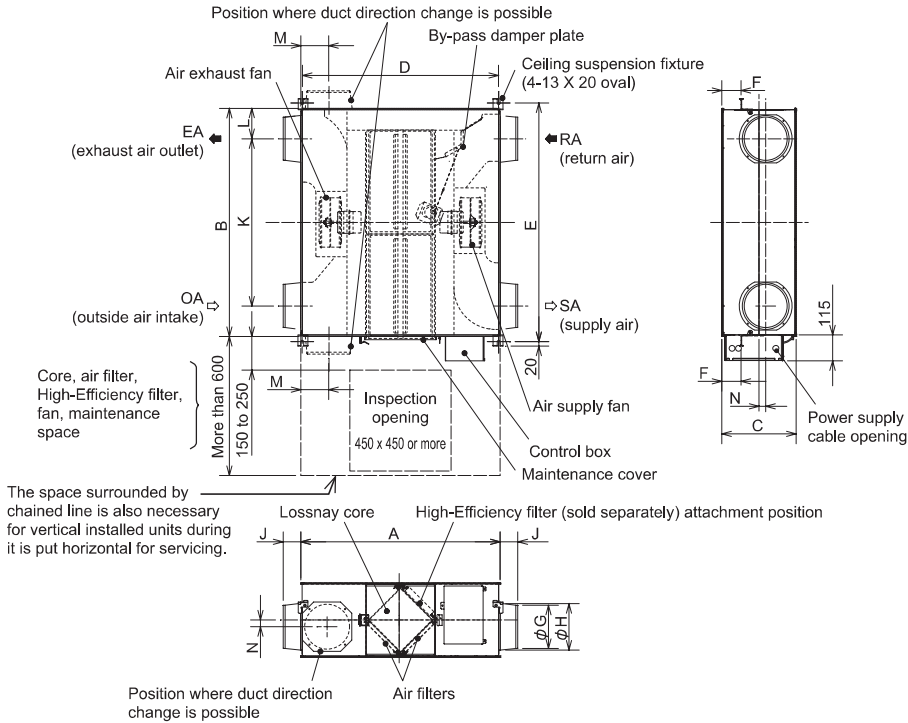


2. Outline drawings

LGH-15 to 100 RVX3-E



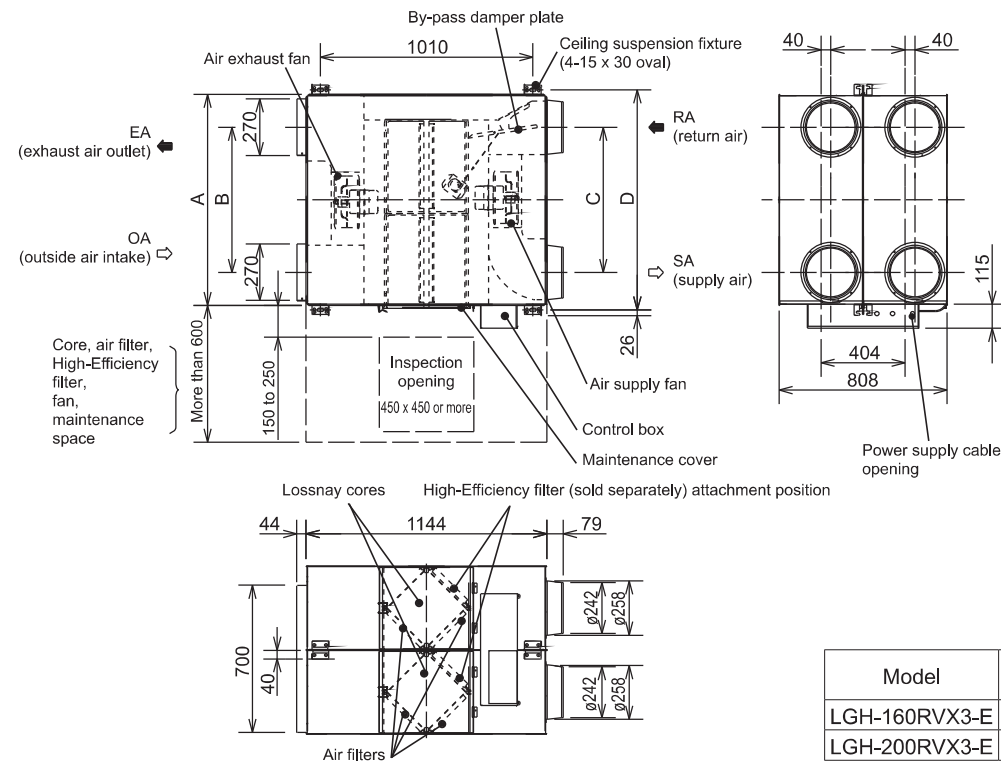
Accessory parts

- Mounting small screws for duct flangesx16
- Mounting large screws for ceiling suspension fixturex4
- Duct connecting flanges.....x4
- Screw capx6
- Slim-Lossnay connection cable (gray: two wires).....x1

Unit (mm)

| Model | Dimensions | | | Ceiling suspension fixture pitch | | | Nominal diameter | Duct connecting flange | | | Duct pitch | | | | Weight (kg) |
|---------------|------------|------|-----|----------------------------------|------|----|------------------|------------------------|-----|----|------------|-------|-----|----|-------------|
| | A | B | C | D | E | F | | G | H | J | K | L | M | N | |
| LGH-15RVX3-E | 780 | 610 | 289 | 768 | 658 | 65 | 100 | 97.5 | 110 | 54 | 450 | 80 | 119 | 50 | 20 |
| LGH-25RVX3-E | 780 | 735 | 289 | 768 | 782 | 65 | 150 | 142 | 160 | 64 | 530 | 102.5 | 102 | 30 | 23 |
| LGH-35RVX3-E | 888 | 874 | 331 | 875 | 921 | 85 | 150 | 142 | 160 | 64 | 650 | 112 | 124 | 55 | 30 |
| LGH-50RVX3-E | 888 | 1016 | 331 | 875 | 1063 | 85 | 200 | 192 | 208 | 79 | 745 | 135.5 | 124 | 30 | 33 |
| LGH-65RVX3-E | 908 | 954 | 404 | 895 | 1001 | 70 | 200 | 192 | 208 | 79 | 692 | 131 | 124 | 40 | 41 |
| LGH-80RVX3-E | 1144 | 1004 | 404 | 1131 | 1051 | 77 | 250 | 242 | 258 | 79 | 690 | 157 | 165 | 40 | 47 |
| LGH-100RVX3-E | 1144 | 1231 | 404 | 1131 | 1278 | 77 | 250 | 242 | 258 | 79 | 917 | 157 | 165 | 40 | 53 |

LGH-160 and 200 RVX3-E



Accessory parts

- Mounting small screws for duct flangesx16
- Duct connecting flanges.....x4
- Screw capx6
- Slim-Lossnay connection cable (gray: two wires).....x1

Unit (mm)

| Model | A | B | C | D | Weight (kg) |
|---------------|------|-----|-----|------|-------------|
| LGH-160RVX3-E | 1004 | 690 | 690 | 1045 | 98 |
| LGH-200RVX3-E | 1231 | 917 | 917 | 1272 | 110 |