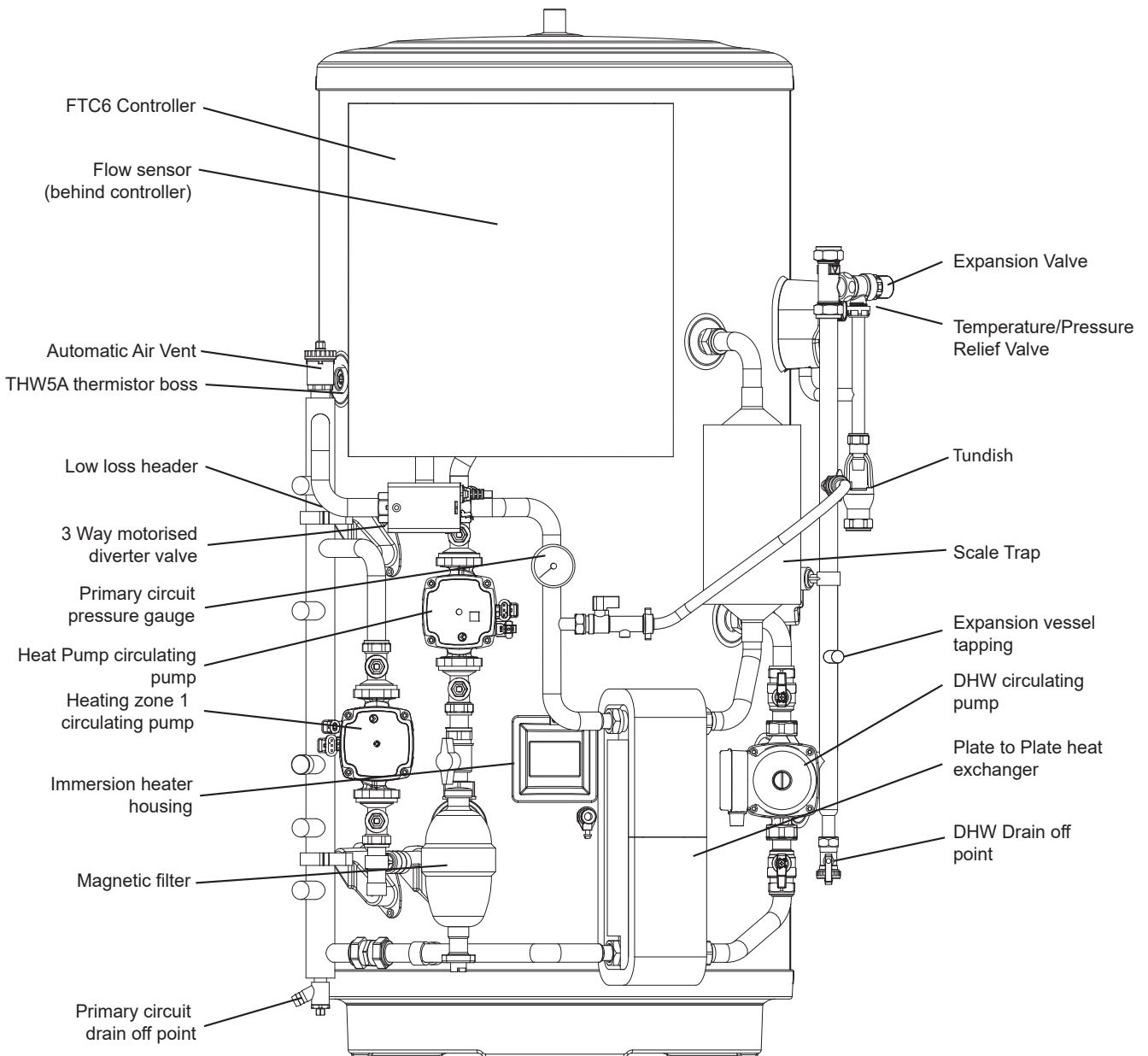


Fig. 1 - Parts Identification

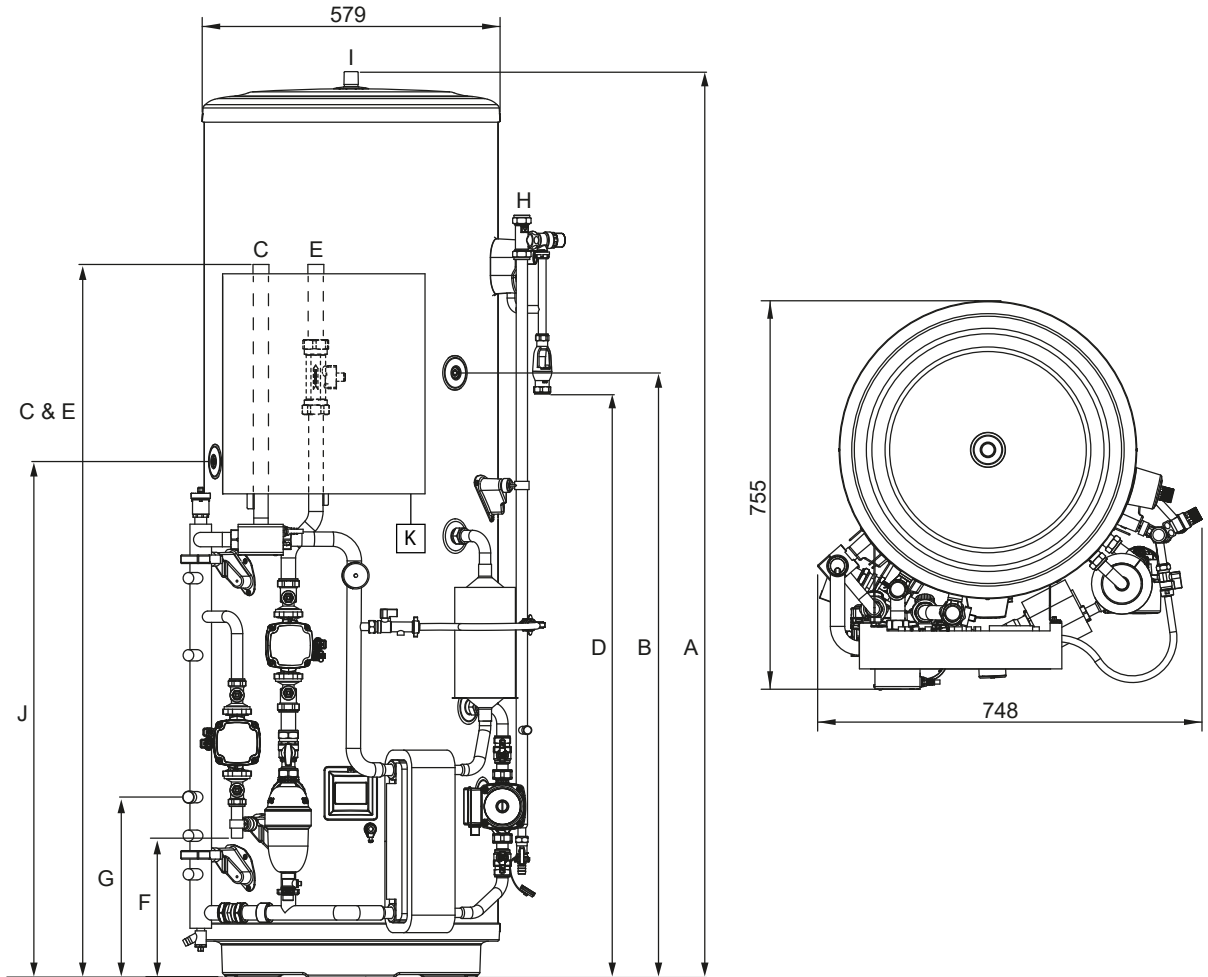


Indicative Performance

Nominal capacity (litres)	Type	Hot water capacity (litres)	Reheat time (minutes)	Nominal heat input (kW)
150	Slimline	144	92	4.83
170	Slimline	175	69	7.85
150	Standard	153	65	7.20
300	Standard	301	172	5.38
				Average 6.32

NOTE: Heating times achieved using an Air Source Heat Pump with variable output power and boost heating to 60°C using a 3kW immersion heater and a primary (heat pump) flow rate of 20 l/min. Test method in accordance with EN12897:2006

Fig. 2a - Dimensions and EU Product Fiche - 28mm Standard Models



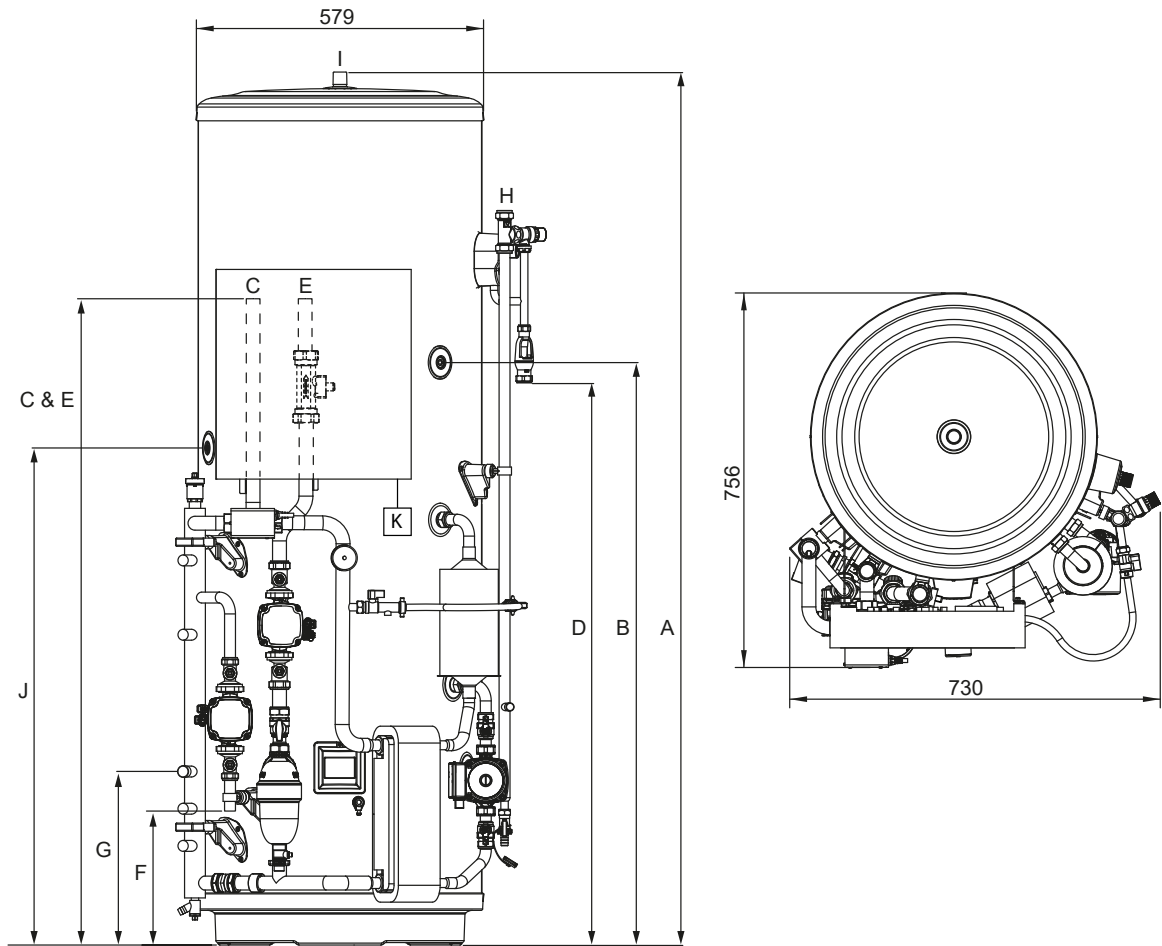
KEY

- A OVERALL HEIGHT
- B SECONDARY RETURN TAPPING
- C HEAT PUMP FLOW CONNECTION (28mm O/D COPPER)
- D TUNDISH OUTLET CONNECTION (22mm COMPRESSION)
- E HEAT PUMP RETURN CONNECTION (28mm O/D COPPER)
- F HEATING ZONE 1 CIRCUIT FLOW CONNECTION (22mm O/D COPPER)
- G HEATING ZONE 1 CIRCUIT RETURN CONNECTION (22mm O/D COPPER)
- H COLD WATER INLET CONNECTION (22mm COMPRESSION)
- I HOT WATER OUTLET CONNECTION (22mm COMPRESSION / 3/4" BSP M)
- J THW5A SENSOR POCKET
- K WI-FI ADAPTOR (INCLUDED, INSTALLER TO LOCATE AND MOUNT)

CAPACITY	210	250	300
A	1509	1761	2075
B	1050	1175	1385
C	1370	1370	1370
D	880	1136	1450
E	1370	1370	1370
F	270	270	270
G	350	350	350
J	925	1005	1193
K	Installer to locate and mount		

MODEL	EHPT21X-UKHDW1L	EHPT25X-UKHDW1L	EHPT30X-UKHDW1L
Energy efficiency class	C	C	C
Standing loss in W	65.0	75.0	85.8
Storage volume V in Litres	210	250	300
Technical parameters in accordance with European Commission regulations 814/2013 and 812/2013			

Fig. 2b - Dimensions and EU Product Fiche - 22mm Standard Models



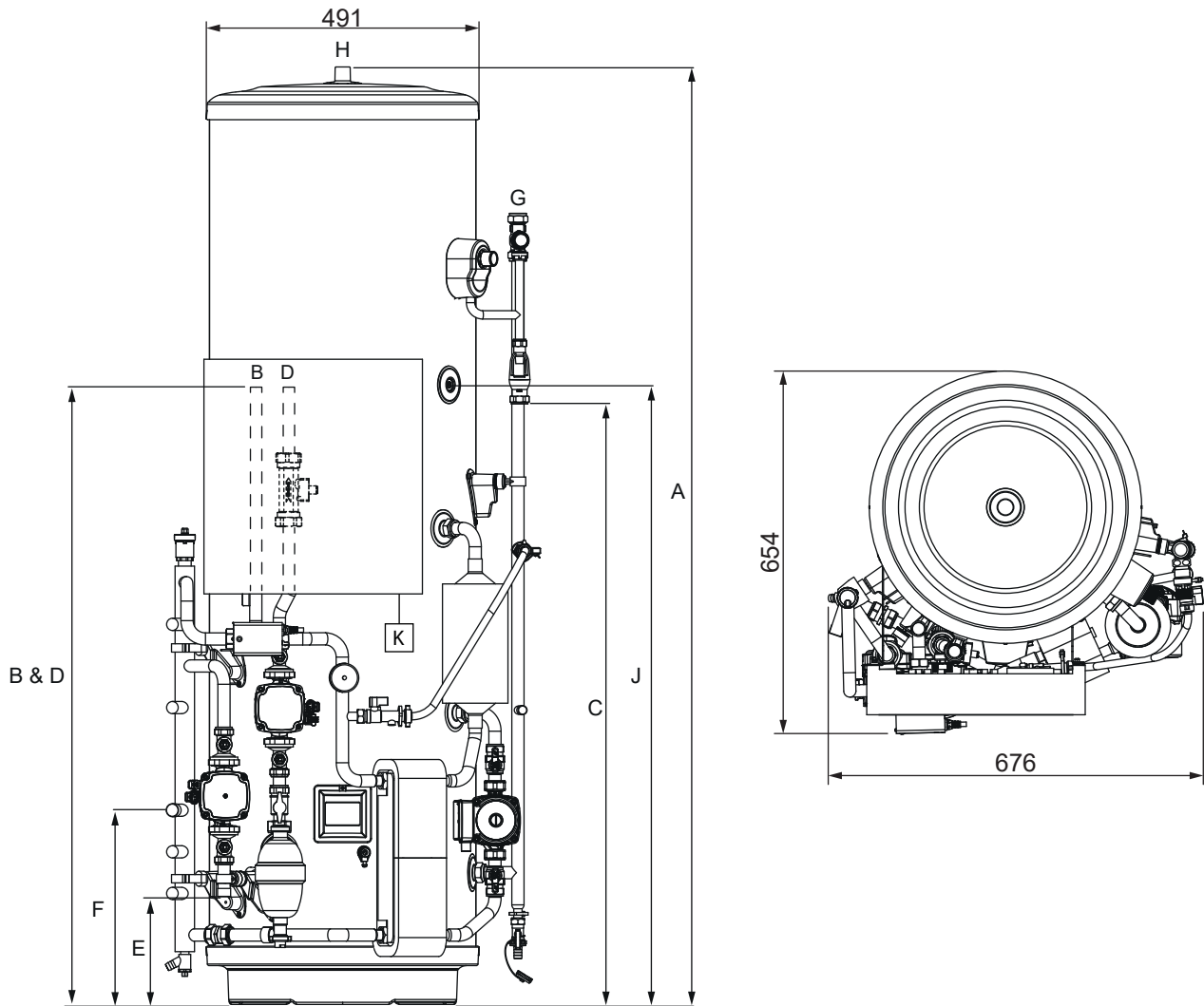
KEY

- A OVERALL HEIGHT
- B SECONDARY RETURN TAPPING (NOT FITTED TO EHPT15X-UKHDW1S/ EHPT17X-UKHDW1S)
- C HEAT PUMP FLOW CONNECTION (22mm O/D COPPER)
- D TUNDISH OUTLET CONNECTION (22mm COMPRESSION)
- E HEAT PUMP RETURN CONNECTION (22mm O/D COPPER)
- F HEATING ZONE 1 CIRCUIT FLOW CONNECTION (22mm O/D COPPER)
- G HEATING ZONE 1 CIRCUIT RETURN CONNECTION (22mm O/D COPPER)
- H COLD WATER INLET CONNECTION (22mm COMPRESSION)
- I HOT WATER OUTLET CONNECTION (22mm COMPRESSION / 3/4" BSP M)
- J THW5A SENSOR POCKET
- K WI-FI ADAPTOR (INCLUDED, INSTALLER TO LOCATE AND MOUNT)

CAPACITY	150	170	210
A	1131	1257	1509
B	Not fitted	Not fitted	1050
C	1122	1122	1122
D	505	630	880
E	1122	1122	1122
F	194	194	194
G	350	350	350
J	675	815	925
K	Installer to locate and mount		

MODEL	EHPT15X-UKHDW1S	EHPT17X-UKHDW1S	EHPT21X-UKHDW1S
Energy efficiency class	B	B	C
Standing loss in W	47.9	51.2	63.7
Storage volume V in Litres	150	170	210
Technical parameters in accordance with European Commission regulations 814/2013 and 812/2013			

Fig. 2c - Dimensions and EU Product Fiche - 22mm Slimline Models



KEY

- A OVERALL HEIGHT
- B HEAT PUMP FLOW CONNECTION (22mm O/D COPPER)
- C TUNDISH OUTLET CONNECTION (22mm COMPRESSION)
- D HEAT PUMP RETURN CONNECTION (22mm O/D COPPER)
- E HEATING ZONE 1 CIRCUIT FLOW CONNECTION (22mm O/D COPPER)
- F HEATING ZONE 1 CIRCUIT RETURN CONNECTION (22mm O/D COPPER)
- G COLD WATER INLET CONNECTION (22mm COMPRESSION)
- H HOT WATER OUTLET CONNECTION (22mm COMPRESSION / 3/4" BSP M)
- J THW5A SENSOR POCKET
- K WI-FI ADAPTOR (INCLUDED, INSTALLER TO LOCATE AND MOUNT)

CAPACITY	150	170
A	1516	1690
B	1127	1127
C	909	1083
D	1127	1127
E	194	194
F	350	350
J	943	1117
K	Installer to locate and mount	

MODEL	EHPT15X-UKHLDW1S	EHPT17X-UKHLDW1S
Energy efficiency class	C	C
Standing loss in W	58.3	66.3
Storage volume V in Litres	150	170
Technical parameters in accordance with European Commission regulations 814/2013 and 812/2013		