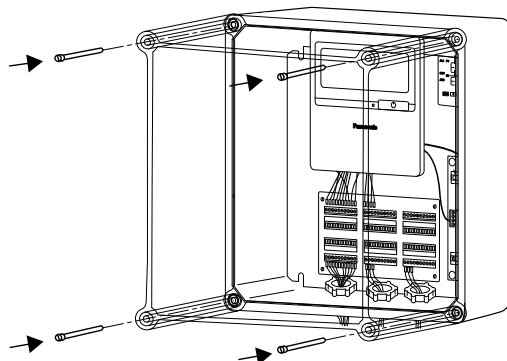




Important

Please note that the connectors can be unplugged for easy installation. As connectors A and D are intended for connecting the 230 V AC power supply wiring, they have special blind ports, which prevent them from being plugged back into the low-voltage connectors B, C, E or F.

6. Place the cover back on the enclosure and fix it with the 4 screws at the corners.



4.1.2 PAH3 generation

Mount the PAH3 generation AHU Kit according to the following instructions. Please note that screws and other fixing materials, which may be required, are not included in the kit.

1. Choose an installation location observing the minimum allowed distances to any adjacent objects on all sides of the enclosure as shown below (left).
2. Prepare the 4 holes at the installation location, using the dimensions as shown below (right).
The distance between the centre points of the holes must be 360 x 460 mm (W x H).

