


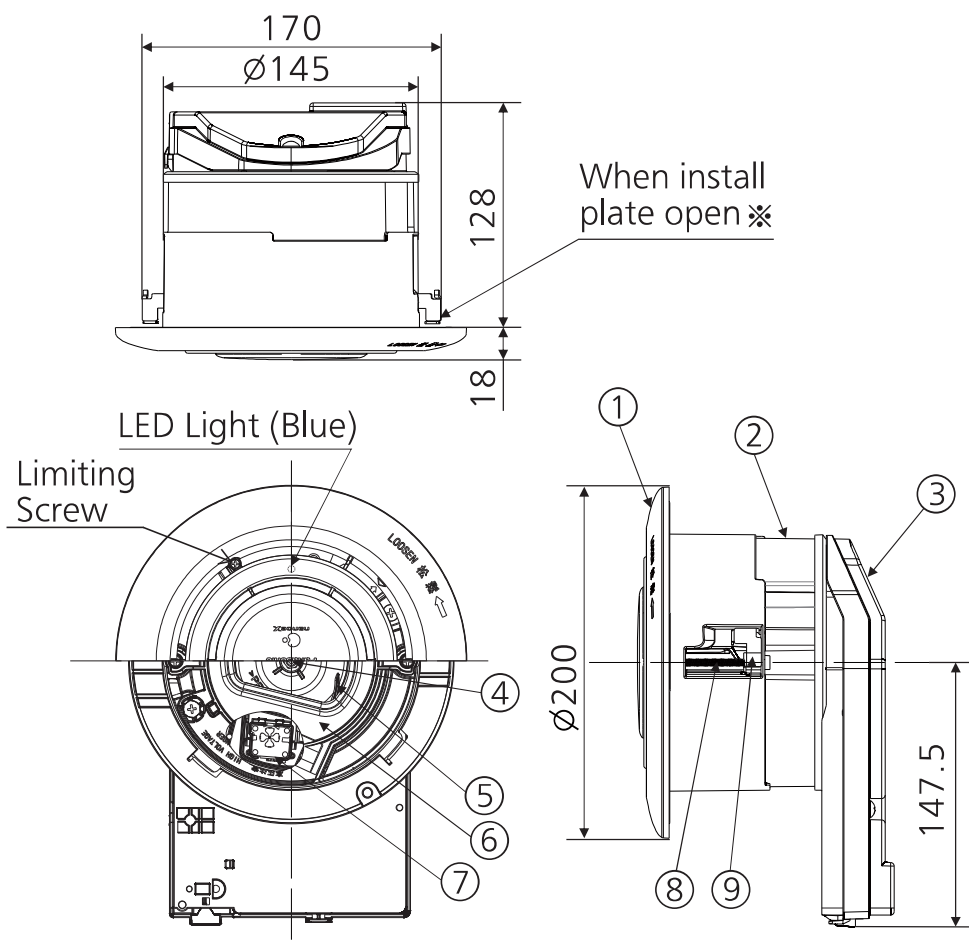
SUPPLIED ACCESSORIES

The following accessories are provided with the product in the package. When you unpack, check if the accessories are all included. If not, please contact your dealer.

Drawing	Name	Qty
	Installation and operating instructions	1

COMPONENTS AND DIMENSIONS

Unit: mm



No.	Part name	Qty
①	Louvre	1
②	Frame	1
③	Electric Case Assy	1
④	Motor	1
⑤	Fan	1
⑥	Orifice Assy	1
⑦	nanoe™ X unit	1
⑧	Install Screw	2
⑨	Install Plate	2

※ Initial position of install plate is closed.

■ Product is used for cleaning air in the room by generating nanoe™ X.