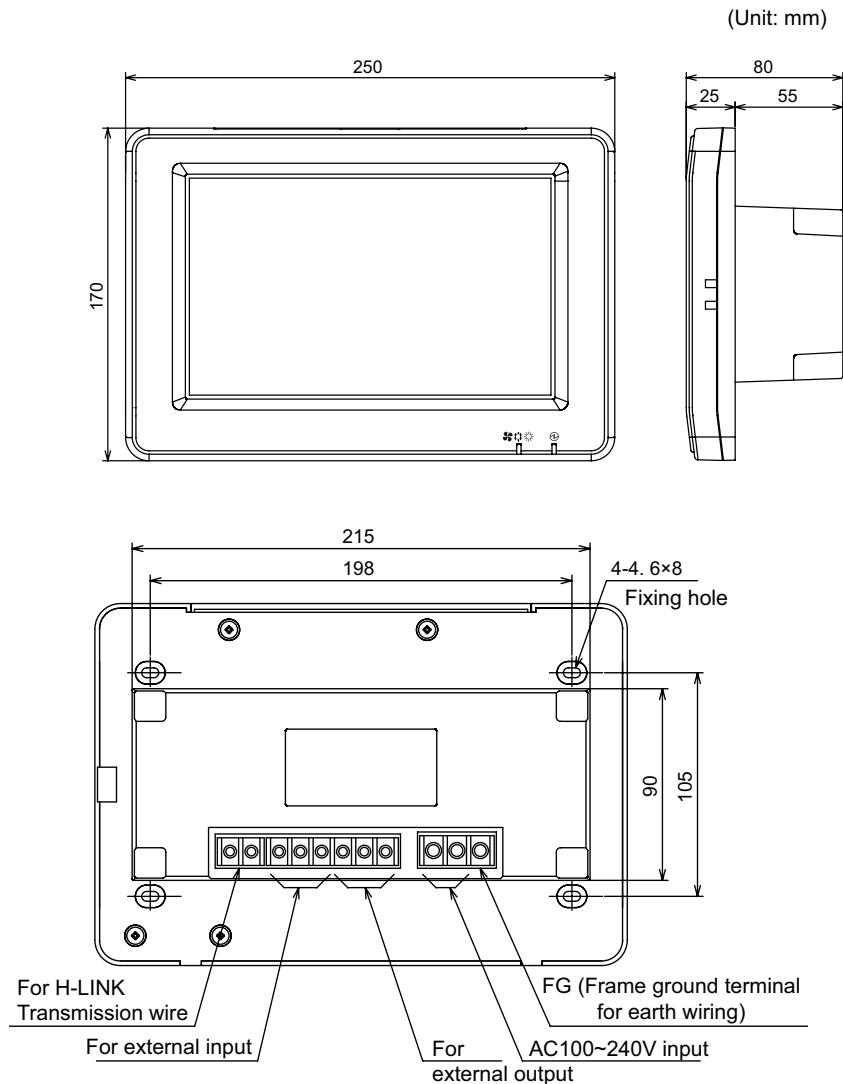


2.2 DIMENSIONAL DATA



2.3 SPECIFICATION

Model	PSC-A64GT
Outer Dimension <W x H x D + (Built-in Part)>	250 × 170 × 25 + 55 (mm)
Net Weight	1.5 kg (Approx.)
Installation Location	Indoor
Installation Method	Wall Built-in with JIS Switch Box for 4 Switches (with cover) (JIS C8340)
Connected Indoor Unit (Q'ty)	160 (Max.)
Clock Accuracy	± 70 Seconds/Month (at Normal Temperature)
Ambient Temperature	5 ~ 35°C
Ambient Humidity	35 ~ 90% (No Dew Condensation)
Display	8.5" TFT Color Liquid Crystal Display (800 x 480 dots)
Rated Power Supply	1Ø, AC 100~240V, 50/60Hz
Electrical Power Consumption	30W (Max.)