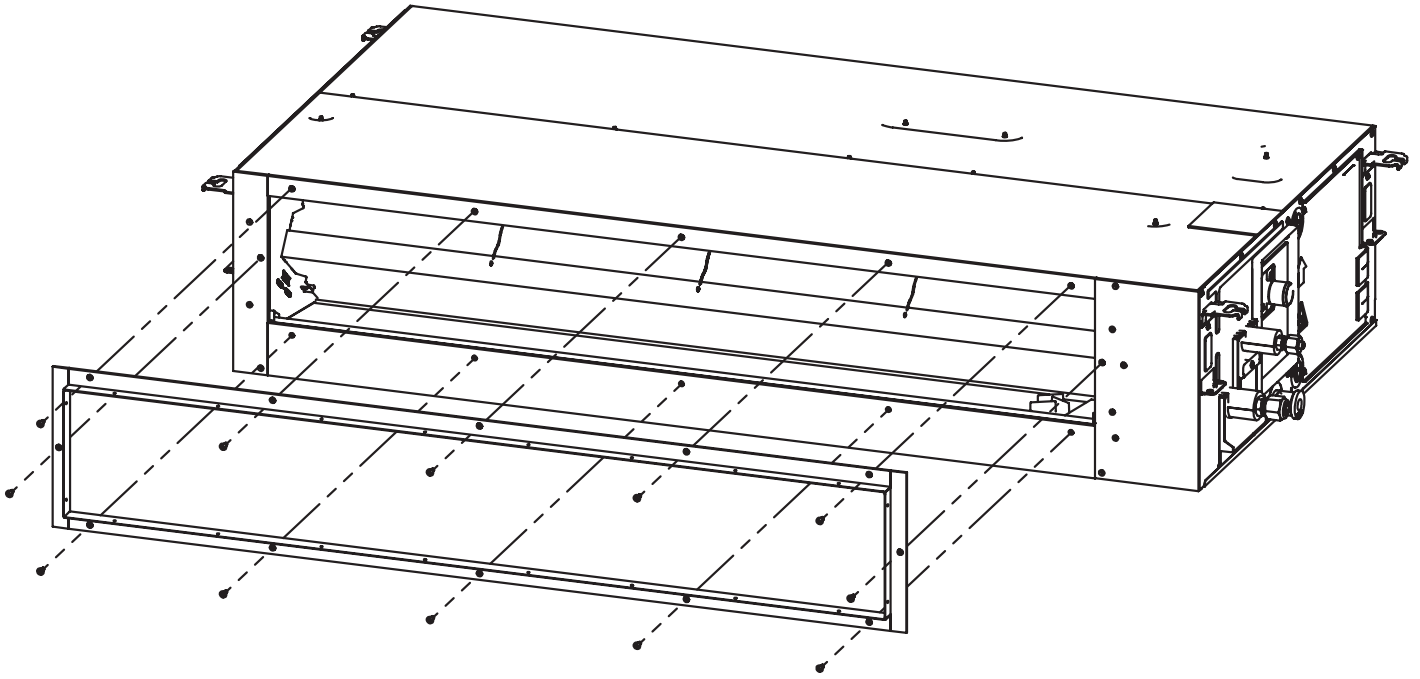


How to Install Duct Frange

- 4 circle duct frange (CZ-160DAF2)
- 3 circle duct frange (CZ-90DAF2)
- 2 circle duct frange (CZ-56DAF2)

1. Remove the air outlet duct frange.



2. Attach the duct frange to the side of the unit with the supplied screws.

