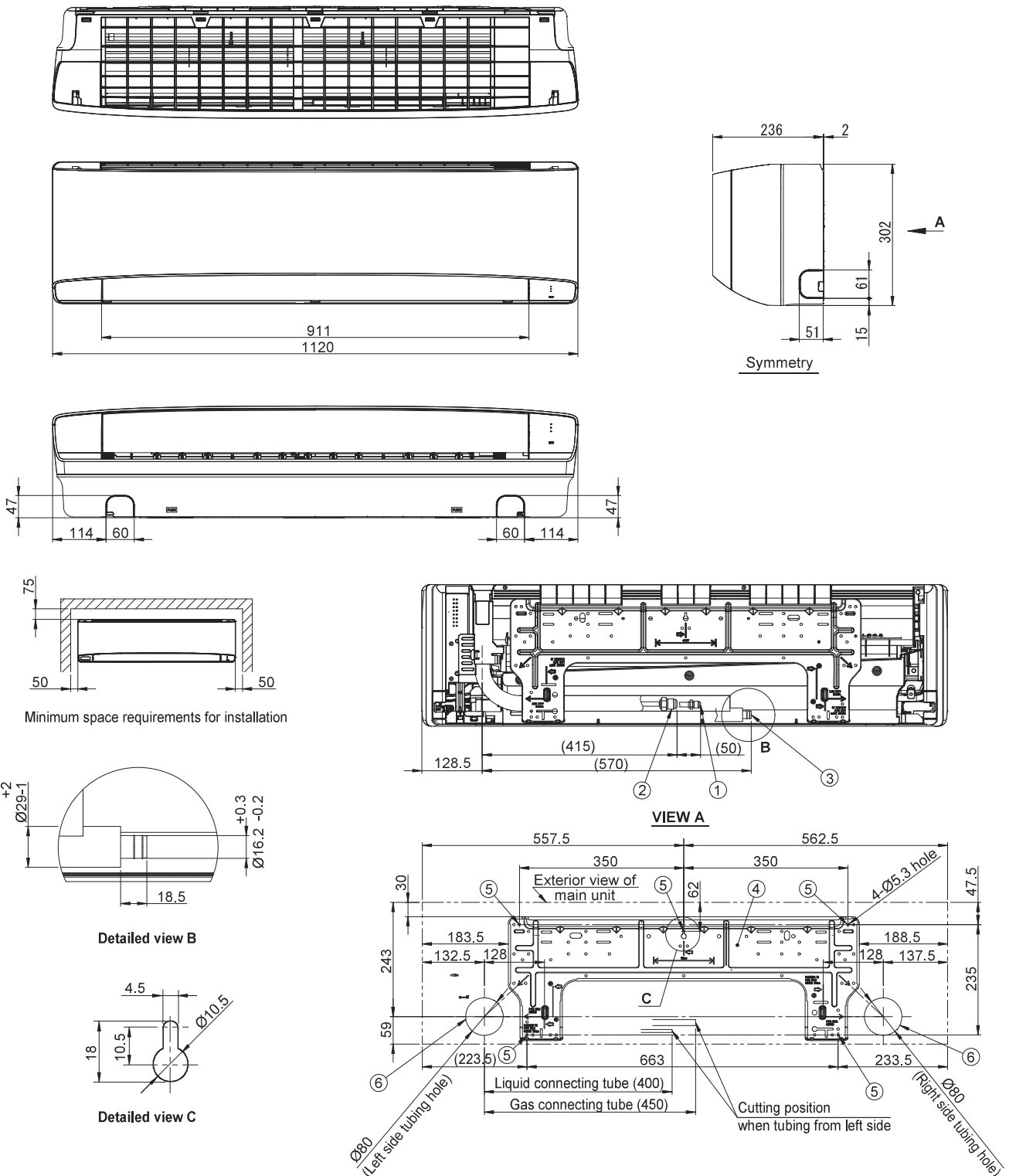


1-2-1-3. Wall Mounted Type S-3650PK3E, S-6010PK3E



unit: mm

①	Refrigerant tubing (liquid tube)	S-3650PK3E : $\text{Ø}6.35$ (flared) S-6010PU3E : $\text{Ø}9.52$ (flared) *1
②	Refrigerant tubing (gas tube)	S-3650PK3E : $\text{Ø}12.7$ (flared) S-6010PK3E(60) : $\text{Ø}15.88$ (flared) *2 S-6010PK3E(71) : $\text{Ø}15.88$ (flared) S-6010PK3E(100) : $\text{Ø}15.88$ (flared)
③	Drain hose	
④	Rear panel	
⑤	Rear panel fixing holes ($\text{Ø}5.3$ holes or as shown in figure "C")	
⑥	Tubing and wiring holes ($\text{Ø}80$)	

*1 When connecting with U-60PZ3E5, U-71PZ3E5 or U-60PZH3E5, connect the liquid socket tube ($\text{Ø}9.52\text{-}\text{Ø}6.35$) to the liquid tubing side indoor unit.

*2 When connecting with U-60PZ3E5 or U-60PZH3E5, connect the gas socket tube ($\text{Ø}15.88\text{-}\text{Ø}12.7$) to the gas tubing side indoor unit.