

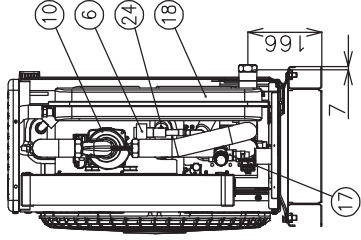
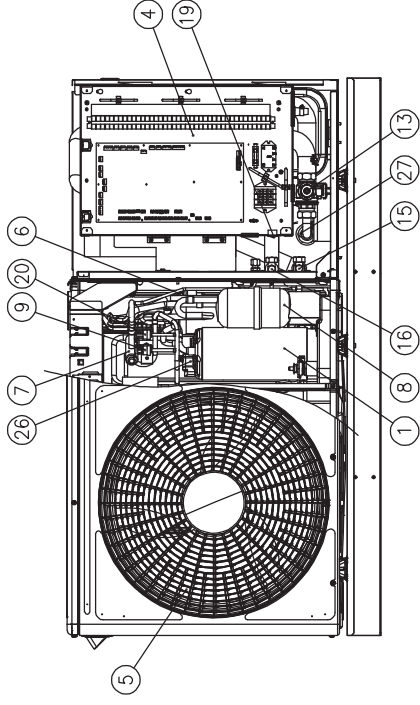
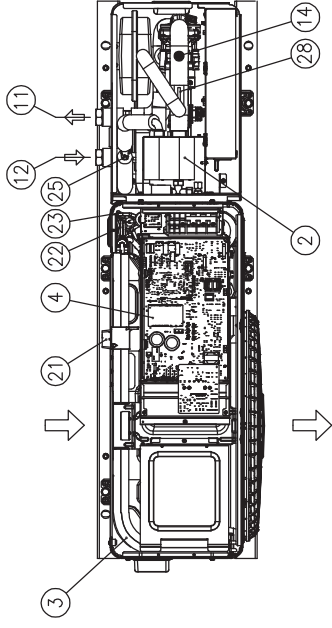


Name of parts and dimensional data

2.1	YUTAKI M R32	20
2.1.1	RASM-(2/3)VRE.....	20
2.1.2	RASM-(4-7)(V)R1E	21
2.2	YUTAKI Hydrosplit R32 - RASM-(4-7)(V)WR1E	22
2.3	YUTAKI H - HWM-WE.....	23
2.4	YUTAKI H Combi - HWD-WE-220S.....	24
2.5	YUTAKI H Combi - HWD-WE-220S-K.....	25

2.1 YUTAKI M R32

2.1.1 RASM-(2/3)VRE



1. Compressor
2. Water side heat exchanger
3. Air side heat exchanger
4. Electrical box
5. Fan (x1)
6. Expansion valve (x2)
7. Reversing valve
8. Accumulator
9. High pressure switch (PSH)
10. Water pump
11. Water outlet - G 1"
12. Water inlet - G1"
13. Water strainer
14. Air purger
15. Stop valve for gas line
Ø15.88 (5/8")
16. Stop valve for liquid
line - 2HP: Ø6,35(1/4") -
3HP: Ø9.52 (3/8")
17. Safety valve

18. Expansion vessel 6L
19. Switch for DHW "emergency" operation
20. Pressure switch for control (Psc)
21. Ambient thermostat
22. Liquid temperature thermostat
23. Liquid temperature thermostat
24. Refrigerant liquid pipe thermostat
25. Refrigerant gas pipe thermostat
26. Compressor discharge thermostat
27. Water inlet thermostat
28. Water outlet thermostat