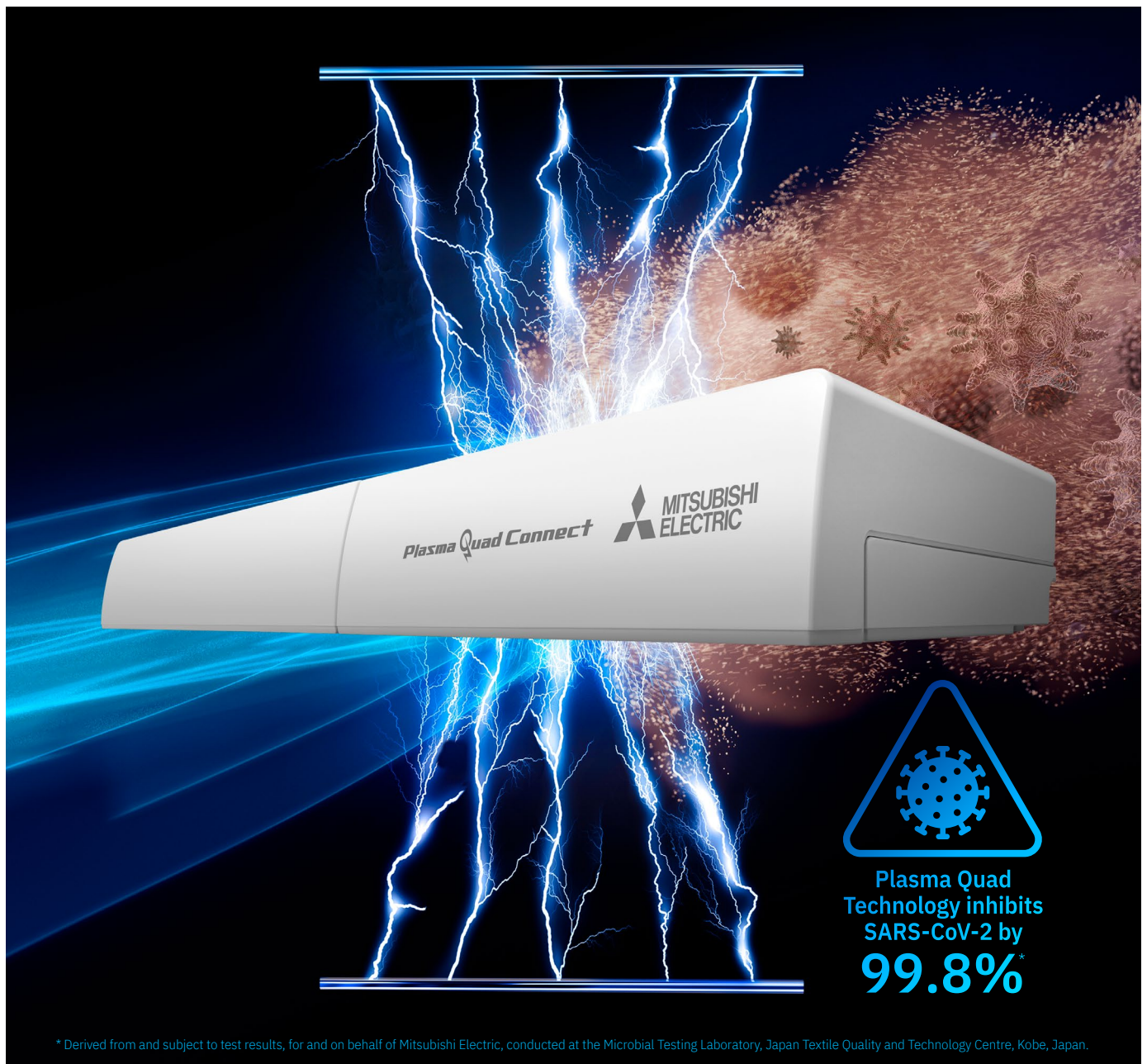




Plasma Quad Connect

Air Purifying Device

Mitsubishi Electric's powerful bolt-on air purifying device delivers Plasma Quad Technology to both new and existing installations of M Series, Mr Slim and City Multi indoor units. Plasma Quad Technology significantly improves indoor air quality by neutralising 6 key indoor pollutants, as well as inhibits 99.8% of SARS-CoV-2*.



Plasma Quad Connect  **MITSUBISHI
ELECTRIC**



Plasma Quad
Technology inhibits
SARS-CoV-2 by
99.8%*

* Derived from and subject to test results, for and on behalf of Mitsubishi Electric, conducted at the Microbial Testing Laboratory, Japan Textile Quality and Technology Centre, Kobe, Japan.

What it does

Plasma Quad Connect significantly improves indoor air quality, providing peace of mind and reassurance for the physical and mental wellbeing of building occupants.

Plasma Quad Connect is the ideal solution for a broad range of applications including hotels, education, healthcare, leisure and offices.



Key Features & Benefits

- Plasma Quad Technology effectively neutralises 6 key indoor pollutants, as well as inhibits **99.8% of SARS-CoV-2***
- Broad compatibility - allowing connectivity to M Series, Mr Slim and City Multi indoor units
- Install flexibility - cost-effective bolt-on solution for new and existing air conditioning systems
- Premium construction allows for easy maintenance and low cost of ownership

* Derived from and subject to test results, for and on behalf of Mitsubishi Electric, conducted at the Microbial Testing Laboratory, Japan Textile Quality and Technology Centre, Kobe, Japan.

Highly effective
against

6 →

key indoor
pollutants

Viruses



Bacteria



Allergens



Microscopic
Particles
PM 2.5



Dust



Mould



Plasma Quad Connect

How it Works

Plasma Quad Technology works like an electrical curtain to catch and neutralise even microscopic particles in the air, to significantly improve indoor air quality.

Stage One

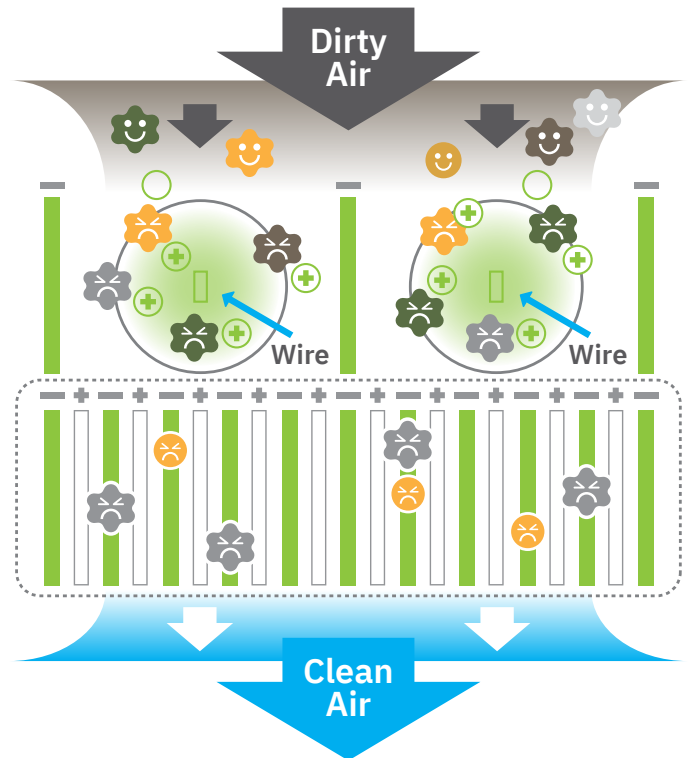
Produces plasma to:

- Inhibit viruses and bacteria
- Break down allergens and mould
- Electrically (+) charge dust and microscopic particles PM2.5

Stage Two

Creates a strong electrical (-) field to:

- Absorb dust and microscopic particles PM2.5



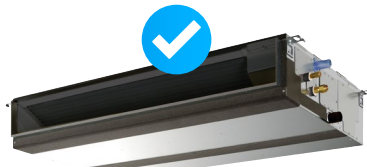
Compatible Indoor Units

Plasma Quad Connect

M Series
Mr Slim PKA
City Multi PKFY-P & WL



Mr Slim SEZ & PEAD
City Multi PEFY-P & WP
(VMA & VMS)






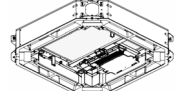
Mr Slim PLA
City Multi PLFY-M & WL
(VEM Only)



Plasma Quad Connect MITSUBISHI ELECTRIC

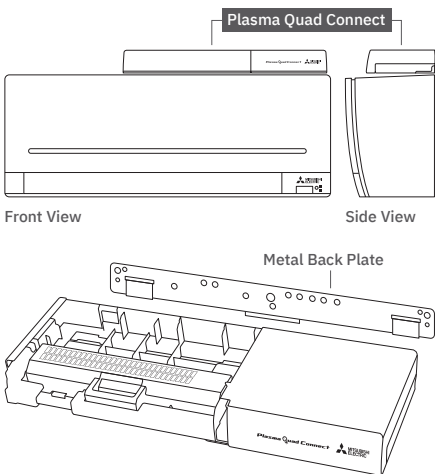


Installation Requirements

Indoor Unit	Plasma Quad Connect Model	Dimensions W x D x H (mm)	Weight	Fitment Required	Power Consumption	M Series	Mr Slim	City Multi
Wall Mount	 MAC-100FT-E	499.5 x 168 x 56	1.6kg	Back plate included as standard	4W	MSZ-LN (built-in as standard) MSZ-EF MSZ-AP MSZ-HR	PKA-M	PKFY-P PKFY-WL
Ducted Low Static	 MAC-100FT-E	499.5 x 168 x 56	1.6kg	Metal fitment PAC-HA11PAR	4W	-	SEZ	PEFY-P/ WP VMS
Ducted Mid Static	 MAC-100FT-E	499.5 x 168 x 56	1.6kg	Metal fitment PAC-HA31PAR	4W	-	PEAD	PEFY-P/ WP VMA
Cassette	 PAC-SK-51FT-E	840 x 840 x 134	8.7kg	Multi-function casement, with knock-out holes for fresh air ducting - included as standard. Incorporates 1 x Plasma Quad Connect device	4W	-	PLA-EA	PLFY-M/WL (VEM)

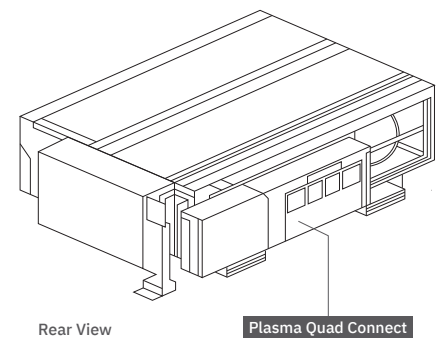
Wall Mounted Unit Installation

The Plasma Quad Connect mounts onto a metal back plate above the unit.



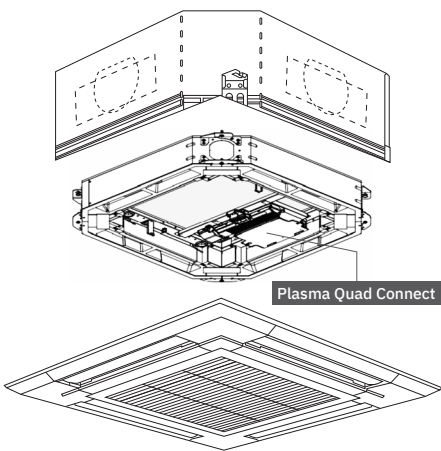
Ducted Unit Installation

The Plasma Quad Connect slides into a metal fitment, which is screwed onto the back of the ducted unit.



Cassette Unit Installation

The Plasma Quad Connect is housed in a bespoke casement.



Telephone: 01707 282880
email: air.conditioning@meuk.mee.com
les.mitsubishielectric.co.uk

-  @meuk_les @green_gateway
-  Mitsubishi Electric Living Environmental Systems UK
-  Mitsubishi Electric Cooling and Heating UK
-  mitsubishielectricuk_les
-  Mitsubishi Electric Living Environmental Systems UK
-  [BLOG thehub.mitsubishielectric.co.uk](http://thehub.mitsubishielectric.co.uk)

UNITED KINGDOM Mitsubishi Electric Europe Living Environment Systems Division, Travellers Lane, Hatfield, Hertfordshire, AL10 8XB, England. Telephone: 01707 282880 Fax: 01707 278881 IRELAND Mitsubishi Electric Europe, Westgate Business Park, Ballymount, Dublin 24, Ireland. Telephone: (01) 419 8800 Fax: (01) 419 8890 International code: (003531)

Country of origin: United Kingdom - Japan - Thailand - Malaysia. ©Mitsubishi Electric Europe 2021. Mitsubishi and Mitsubishi Electric are trademarks of Mitsubishi Electric Europe B.V. The company reserves the right to make any variation in technical specification to the equipment described, or to withdraw or replace products without prior notification or public announcement. Mitsubishi Electric is constantly developing and improving its products. All descriptions, illustrations, drawings and specifications in this publication present only general particulars and shall not form part of any contract. All goods are supplied subject to the Company's General Conditions of Sale, a copy of which is available on request. Third-party product and brand names may be trademarks or registered trademarks of their respective owners.

Note: The fuse rating is for guidance only. Please refer to the relevant databook for detailed specification. It is the responsibility of a qualified electrician/electrical engineer to select the correct cable size and fuse rating based on current regulation and site specific conditions. Mitsubishi Electric's air conditioning equipment and heat pump systems contain a fluorinated greenhouse gas, R410A (GWP:2088), R32 (GWP:675), R407C (GWP:1774), R134a (GWP:1430), R513A (GWP:631), R454B (GWP:466), R1234ze (GWP:7) or R1234yf (GWP:4). *These GWP values are based on Regulation (EU) No 517/2014 from IPCC 4th edition. In case of Regulation (EU) No.626/2011 from IPCC 3rd edition, these are as follows. R410A (GWP:1975), R32 (GWP:550), R407C (GWP:1650) or R134a (GWP:1300).

Effective as of April 2021

