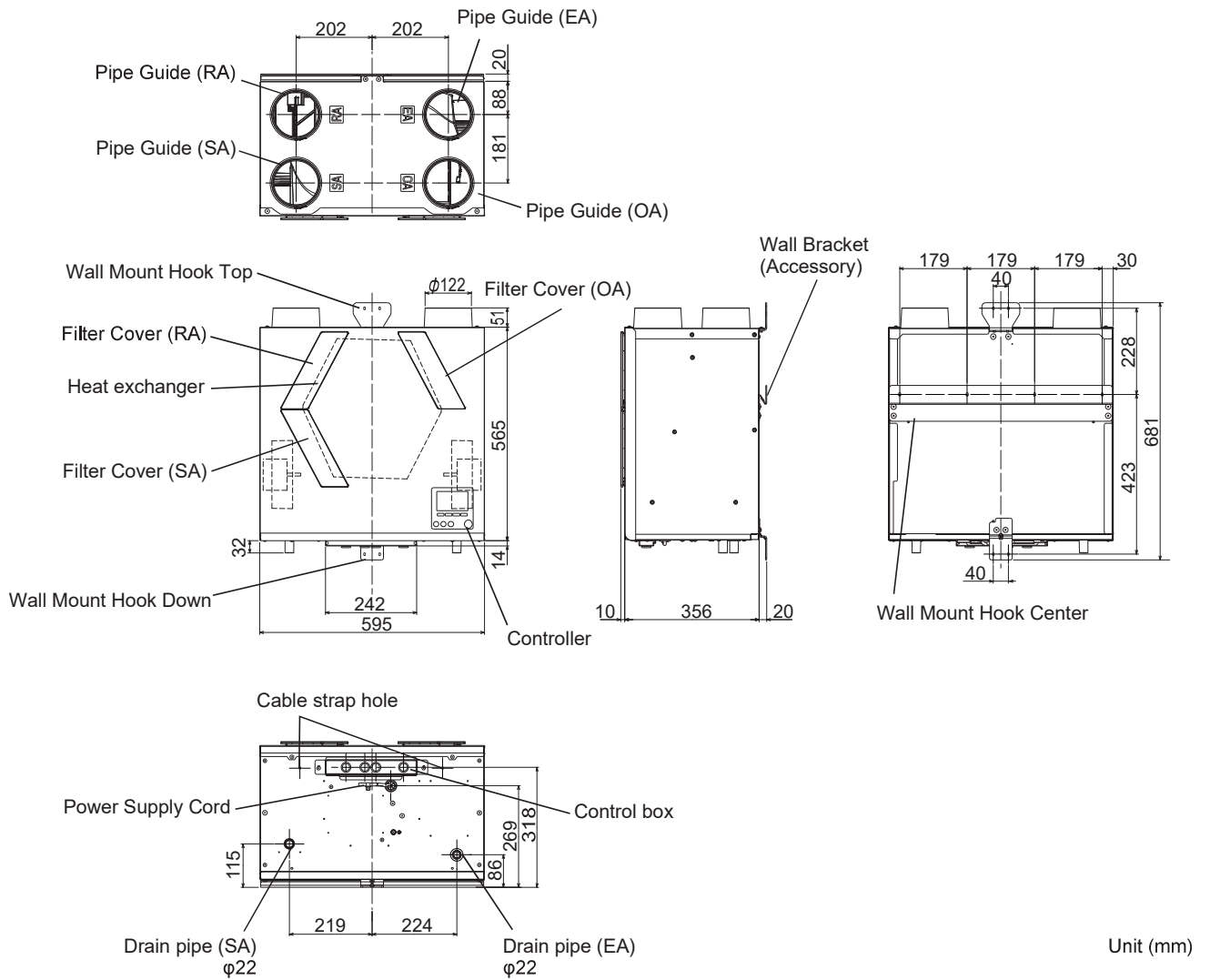


2. Outside Dimensions

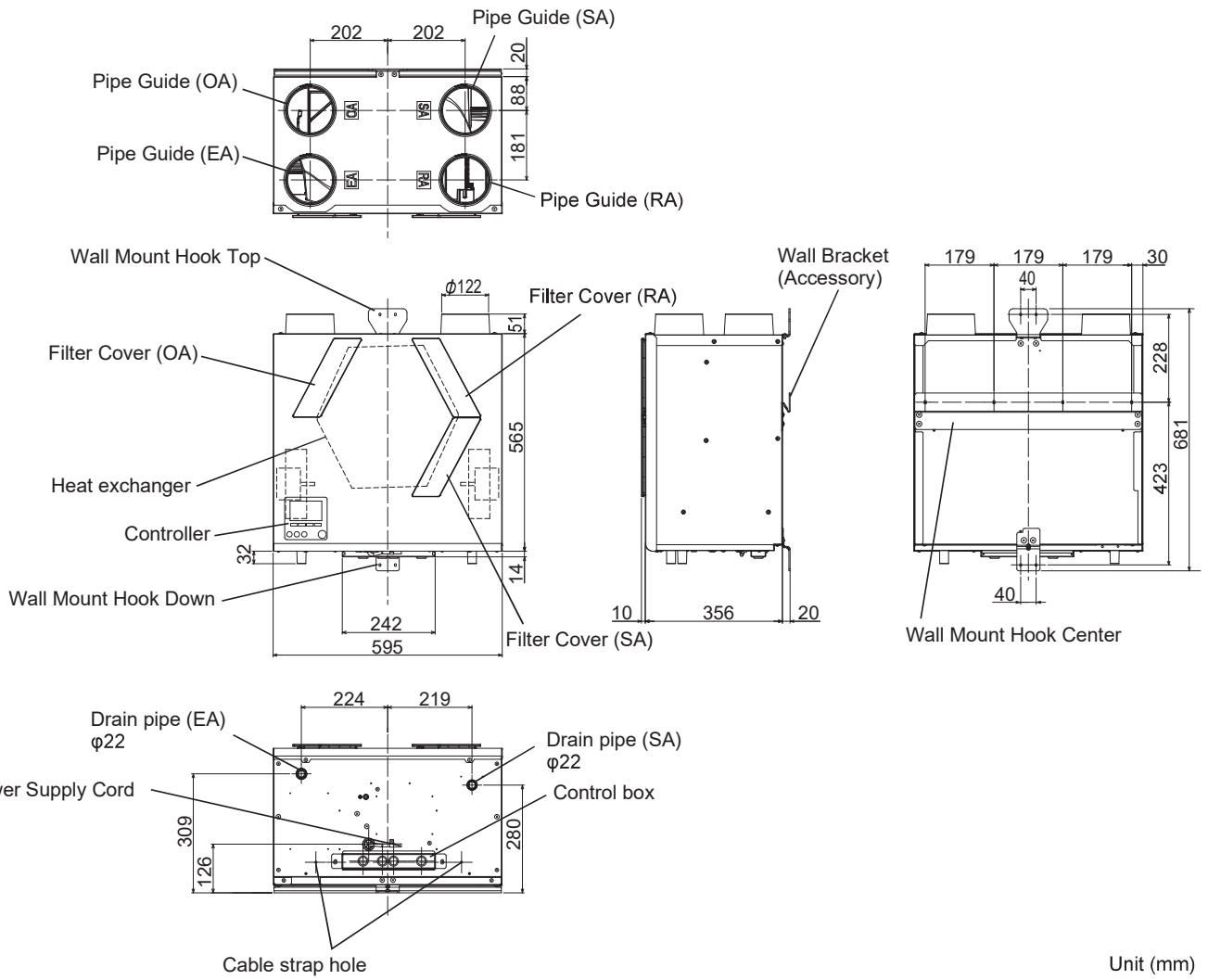
■VL-250CZPVU-R-E



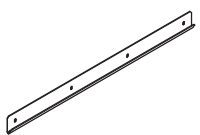
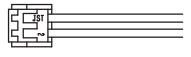




Accessories

<p>Wall Bracket: 1</p>	<p>Slim-Lossnay connection cable: 1 (100 mm)</p>	<p>Drain hose fixture: 2</p>	<p>Washer: 8</p>	<p>Drain hose: 1 (250 mm)</p>	<p>Cable strap: 1</p>
------------------------	--------------------------------------------------	------------------------------	------------------	-------------------------------	-----------------------

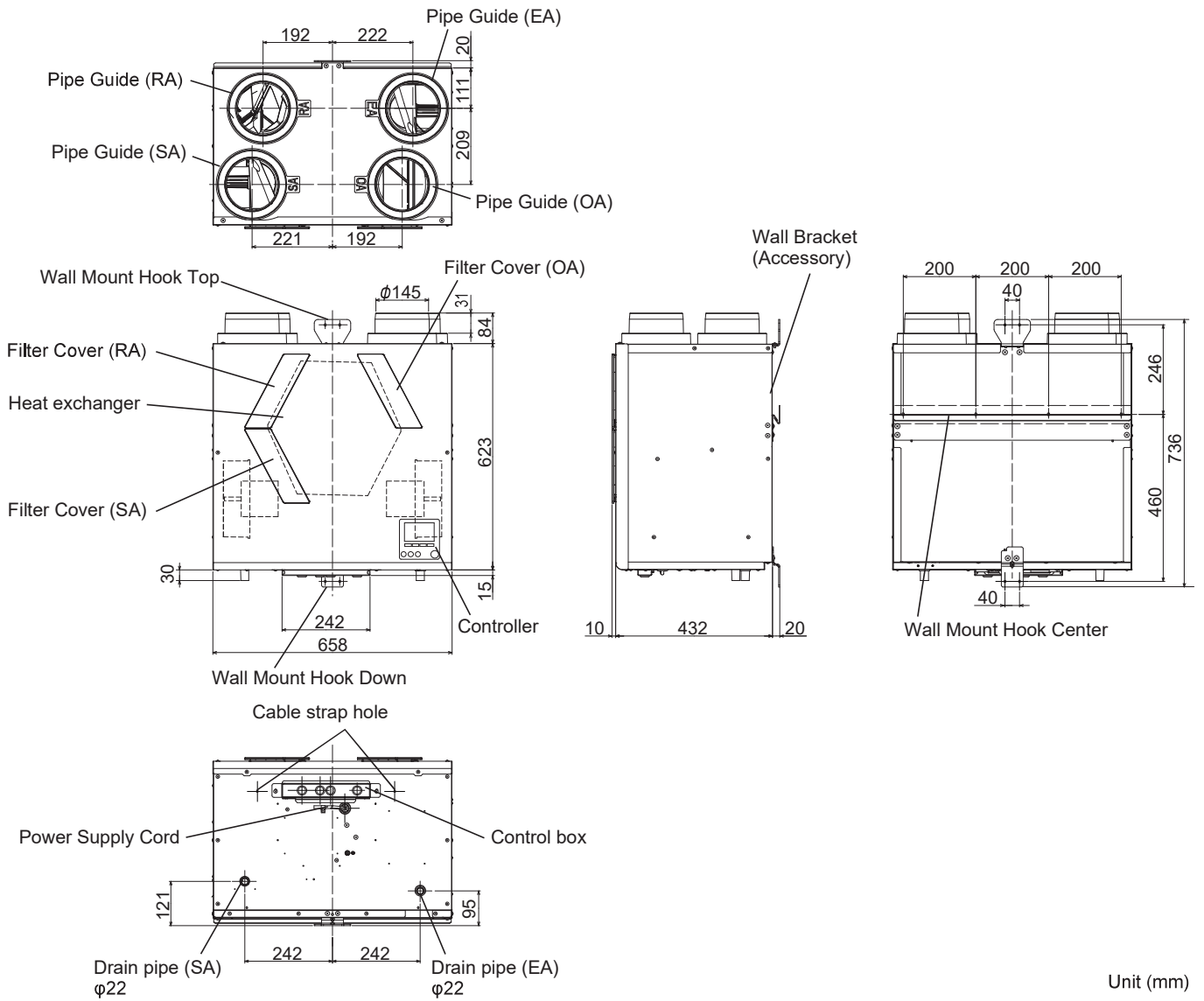
VL-250CZPVU-L-E



Accessories

<p>Wall Bracket: 1</p> 	<p>Slim-Lossnay connection cable: 1 (100 mm)</p> 	<p>Drain hose fixture: 2</p> 	<p>Washer: 8</p> 	<p>Drain hose: 1 (250 mm)</p> 	<p>Cable strap: 1</p> 
------------------------------------------------------------------------------------------------------------	--------------------------------------------------------------------------------------------------------------------------------------	------------------------------------------------------------------------------------------------------------------	------------------------------------------------------------------------------------------------------	--------------------------------------------------------------------------------------------------------------------	-------------------------------------------------------------------------------------------------------------

VL-350CZPVU-R-E



Unit (mm)

Accessories

<p>Wall Bracket: 1</p>	<p>Slim-Lossnay connection cable: 1 (100 mm)</p>	<p>Drain hose fixture: 2</p>	<p>Washer: 8</p>	<p>Drain hose: 1 (250 mm)</p>	<p>Cable strap: 1</p>
------------------------	--------------------------------------------------	------------------------------	------------------	-------------------------------	-----------------------