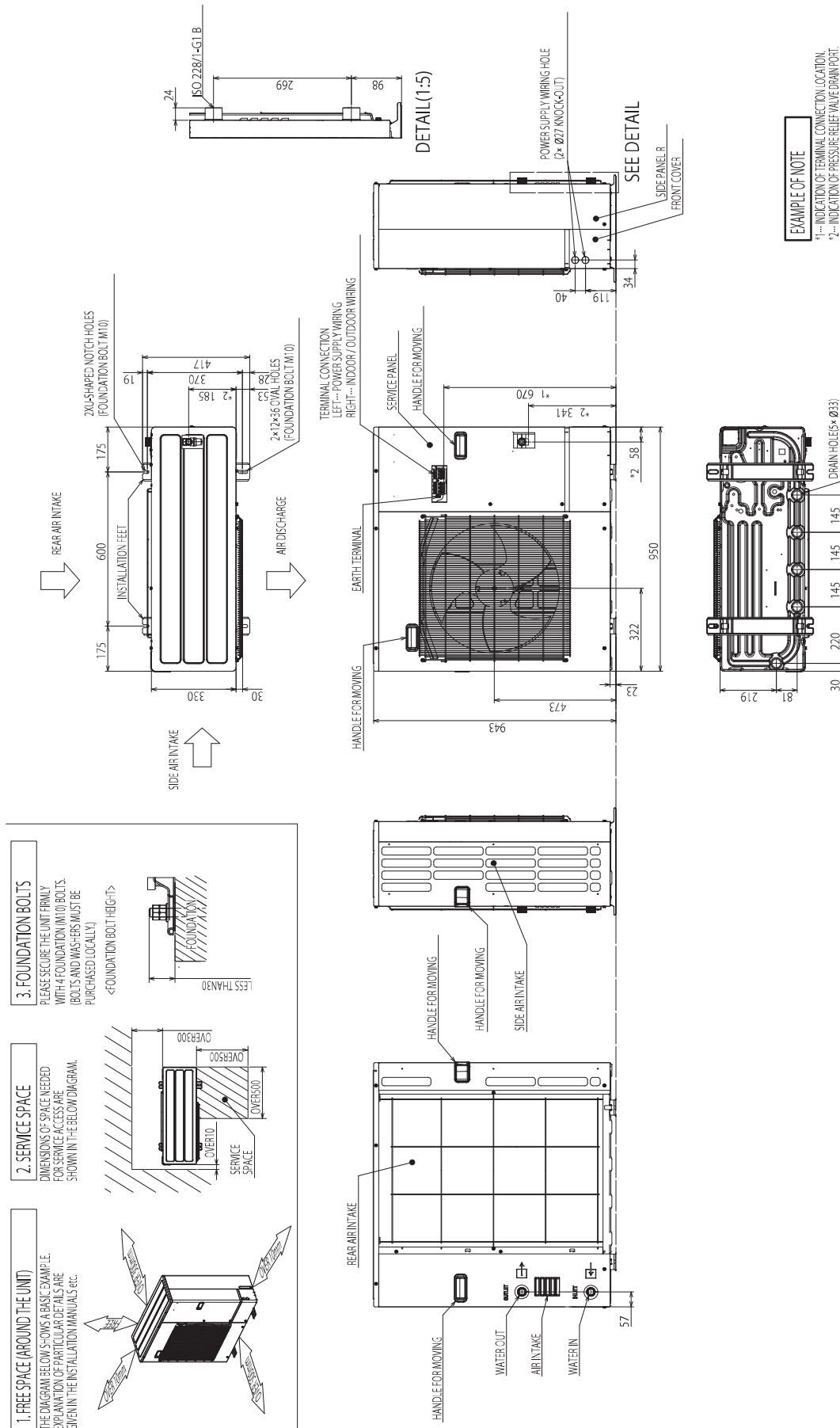


(1) Packaged-type units

- PUZ-WM50VHA
- PUZ-WM50VHA-BS

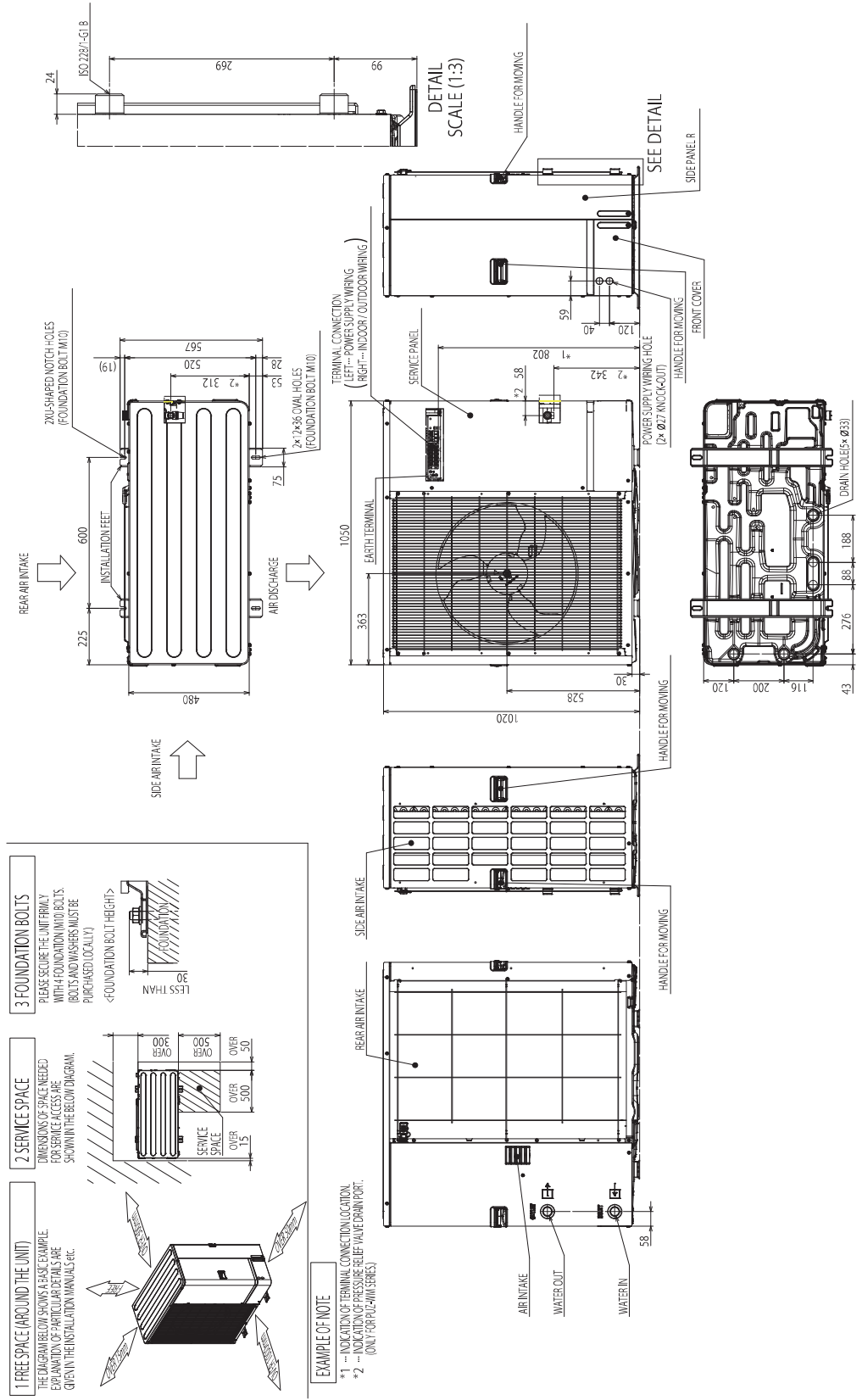
Unit : mm



Unit : mm

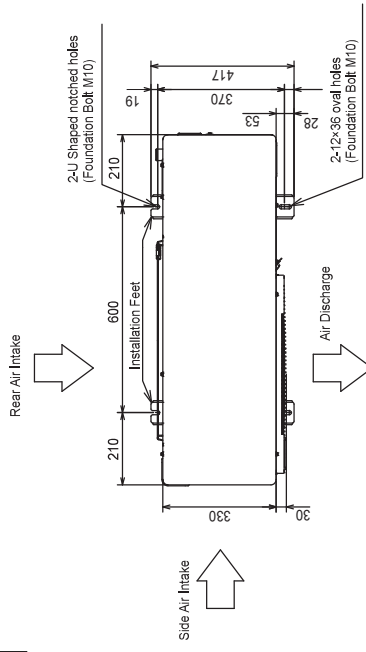
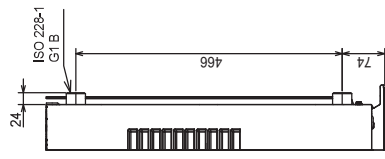
- PUZ-WM60VAA(-BS)
- PUZ-WM85VAA(-BS)
- PUZ-WM85YAA(-BS)
- PUZ-WM112VAA(-BS)
- PUZ-WM112YAA(-BS)

Outdoor unit



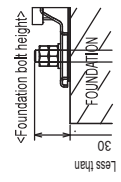
■ PUZ-HWM140VHA(-BS) PUZ-HWM140YHA(-BS)

Unit : mm



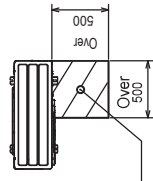
3 FOUNDATION BOLTS

Please secure the unit firmly with 4 foundation (M10) bolts. (Bolts and washers must be purchased locally.)



2 SERVICE SPACE

Dimensions of space needed for service access are shown in the below diagram.



1 FREE SPACE (Around the unit)

The diagram below shows a basic example. Explanation of particular details are given in the installation manuals etc.

