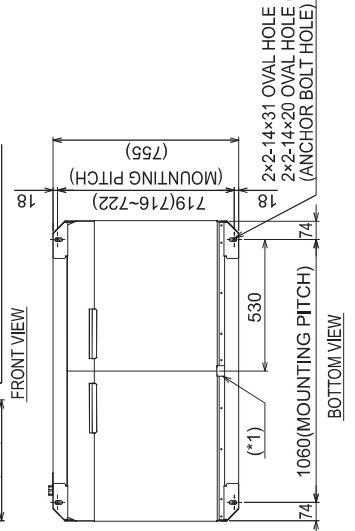
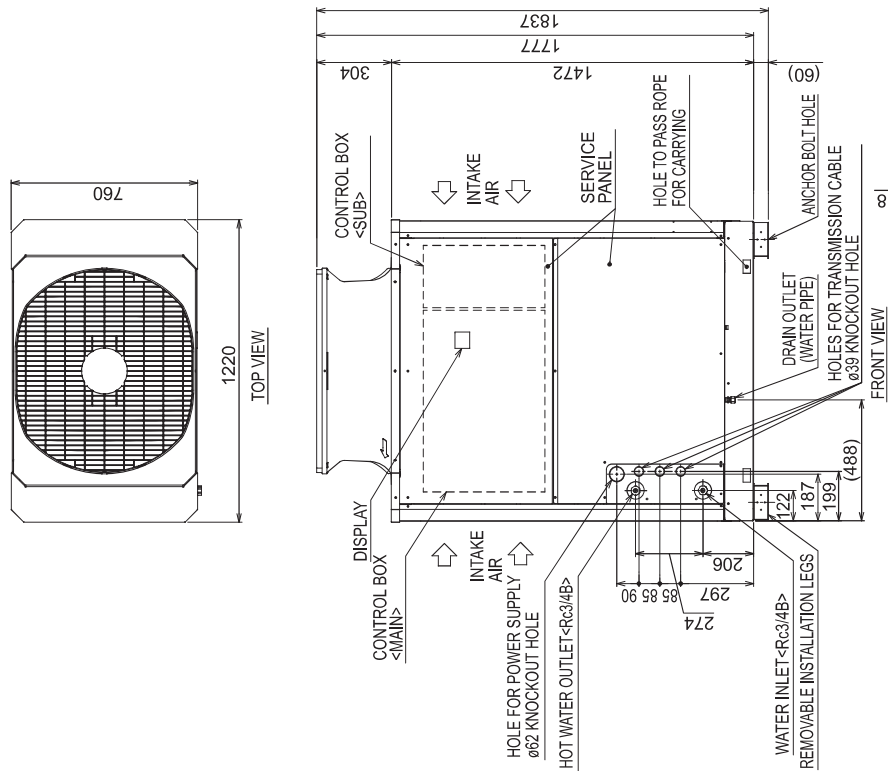
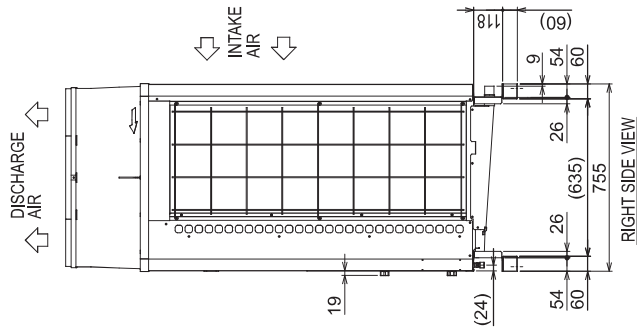
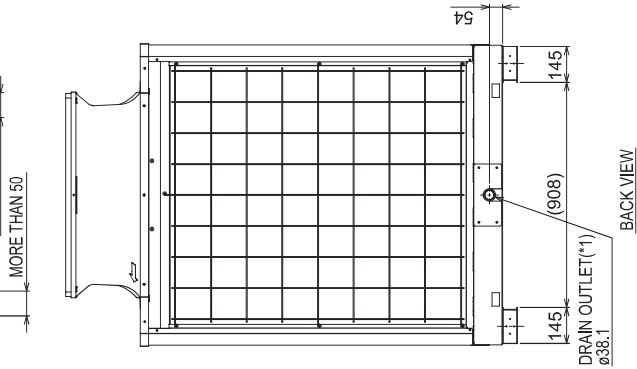
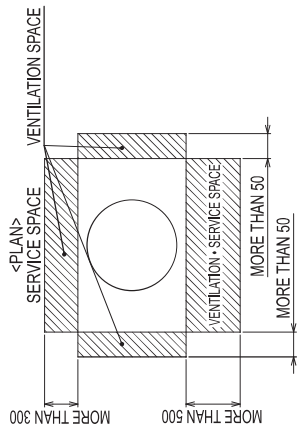


1. Product Specifications

1-2. External Dimensions

QAHV-N560YA-HPB(-BS)

Unit: mm



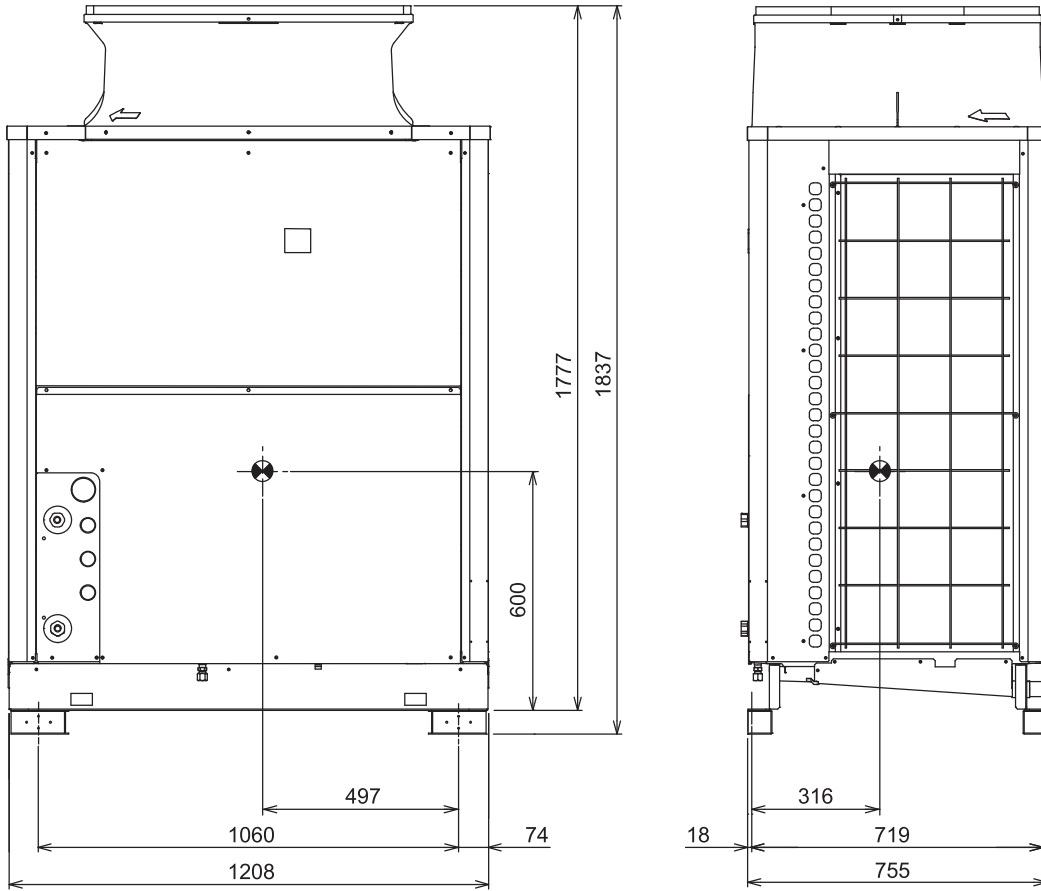
The specification of the product is for the improvement a previous notice and might change.

1. Product Specifications

1-3. Center of Gravity

QAHV-N560YA-HPB(-BS)

Unit: mm



QAHV-N-YA-HPB