

EHPT21-30X-UKHSDW

FTC6 **Solar** Pre-Plumbed Cylinder
For Ecodan R32 Monobloc Units



Key Features:

- Unvented plug & play pre-plumbed DHW cylinder
- Efficient & rapid heating
- Premium quality insulation
- Flexible 2-zone space heating control
- MELCloud enabled

Key Benefits:

- Minimal installation time
- Excellent hot water recovery times
- Reduced heat losses and running costs
- Improved comfort and reduced energy use
- Remote control, monitoring, maintenance and technical support



MELCloud



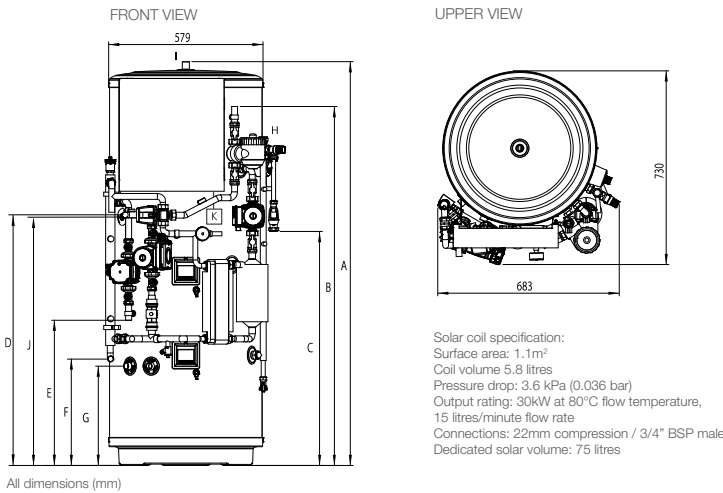
ecodan[®]
Renewable Heating Technology

CYLINDER			EHPT21X-UKHSDW	EHPT25X-UKHSDW	EHPT30X-UKHSDW
NOMINAL HOT WATER VOLUME (LITRES)			210	250	300
ErP RATING			C	C	C
HEAT LOSS (kWh/24hrs)			1.57	1.79	1.88
HEAT LOSS (W)			65	75	78
WATER					
Flow Rate (l/min) - WM 50 / 60 / 85 / 112 / 140			14 / 17 / 24 / 32 / 40	N/A / N/A / 24 / 32 / 40	N/A / N/A / 24 / 32 / 40
Primary Circuit Pump			Grundfos UPMGE0 25-85	Grundfos UPMXL GEO 25-125	Grundfos UPMXL GEO 25-125
Heating Circuit Pump			Grundfos UPM3 25-70		
Sanitary Hot Water Pump			Grundfos UPSO 15-60 CIL2		
Connection Size (mm) Heating / DHW			22 / 22	22 / 22	22 / 22
Charge Pressure (MPa (Bar))			0.35 (3.5)	0.35 (3.5)	0.35 (3.5)
WATER SAFETY					
Water Circuit DHW Cylinder	Control Thermistor (°C)	80	80	80	
	DHW Expansion Vessel (Litres)	18	24	24	
	Control Thermistor (°C)	75	75	75	
	Over Temperature Cut-Out (°C)	80 ± 5	80 ± 5	80 ± 5	
	Temp and Pressure Relief Valve (°C) / (MPa (Bar))	90 / 1.0 (10)	90 / 1.0 (10)	90 / 1.0 (10)	
	Expansion Relief Valve (Cold) (MPa (Bar))	0.8 (8)	0.8 (8)	0.8 (8)	
DIMENSIONS (mm)					
Width			683	683	683
Depth			730	730	730
Height			1513	1765	2081
WEIGHT EMPTY / FULL (kg)			74 / 284	82 / 332	92 / 392
CYLINDER MATERIAL					
Cylinder	Cylinder Material	Stainless Steel	Stainless Steel	Stainless Steel	
	Insulation	CFC / HCFC-free flame-retardant expanded Polyurethane			
Insulation Thickness (mm)			60	60	60
GWP of Insulation			3.1	3.1	3.1
ODP of Insulation			0	0	0
ELECTRICAL DATA					
Control Board - optionally powered by outdoor unit	Electrical Supply	220-240v, 50Hz	220-240v, 50Hz	220-240v, 50Hz	
	Phase	Single	Single	Single	
	Fuse Rating - MCB Sizes (A)*1	16	16	16	
Immersion Heater	Electrical Supply	220-240v, 50Hz	220-240v, 50Hz	220-240v, 50Hz	
	Phase	Single	Single	Single	
	Capacity (kW)	3	3	3	
	Max Running Current (A)	13	13	13	
	Fuse Rating - MCB Sizes (A)*1	16	16	16	
MECHANICAL ZONES			DHW and 1 Heating Zone ²		
OPTIONAL SIMPLIFIED WIRELESS ROOM THERMOSTAT AND WIRELESS RECEIVER			PAR-WT50-E Controller and PAR-WR51-E Receiver		

*1 MCB Sizes BS EN60898-2 & BS EN60947-2 *2 Optional 2 zone accessory pack available

Notes: Cylinder includes: Flow Temperature Controller (FTC6) with Main Controller and Temperature Sensors, Pumps & Valves for Zone 1 and DHW use, Flow Sensor, Plate Heat Exchanger, Scale Trap, 3kW Immersion Heater and Expansion Vessel.

EHPT21-30X-UKHSDW DIMENSIONS



Letter	Pipe Description	Connection size/type
A	Overall Height	
B	Heat pump flow connection	22mm O/D copper
C	Tundish outlet connection	22mm compression
D	Heat pump return connection	22mm O/D copper
E	Heating circuit flow connection	22mm O/D copper
F	Heating circuit return connection	22mm O/D copper
G	Solar coil connections	22mm compression / 3/4" BSP M
H	Cold water inlet connection	22mm compression
I	Hot water outlet connection	22mm compression / 3/4" BSP M
J	THW5A sensor pocket	
K	Wi-Fi adapter	included, installer to locate and mount

Capacity	210	250	300
A	1513	1765	2081
B	1346	1346	1346
C	877	1129	1444
D	935	935	935
E	545	545	545
F	400	400	400
G	372	372	372
J	933	1008	1198
K	Installer to locate and mount		



Telephone: 01707 282880
email: heating@meuk.mee.com
heating.mitsubishielectric.co.uk



@meuk_les
@green_gateway



Mitsubishi Electric Living
Environmental Systems UK



Mitsubishi Electric
Cooling and Heating UK



mitsubishielectricuk_les



Mitsubishi Electric Living
Environmental Systems UK



thehub.mitsubishielectric.co.uk

UNITED KINGDOM Mitsubishi Electric Europe Living Environment Systems Division, Travellers Lane, Hatfield, Hertfordshire, AL10 8XB, England. Telephone: 01707 282880 Fax: 01707 278881
IRELAND Mitsubishi Electric Europe, Westgate Business Park, Ballymount, Dublin 24, Ireland. Telephone: (01) 419 8800 Fax: (01) 419 8890 International code: (003531)

Country of origin: United Kingdom - Japan - Thailand - Malaysia. ©Mitsubishi Electric Europe 2020. Mitsubishi and Mitsubishi Electric are trademarks of Mitsubishi Electric Europe B.V. The company reserves the right to make any variation in technical specification to the equipment described, or to withdraw or replace products without prior notification or public announcement. Mitsubishi Electric is constantly developing and improving its products. All descriptions, illustrations, drawings and specifications in this publication present only general particulars and shall not form part of any contract. All goods are supplied subject to the Company's General Conditions of Sale, a copy of which is available on request. Third-party product and brand names may be trademarks or registered trademarks of their respective owners.

Notes: The fuse rating is for guidance only. Please refer to the relevant databook for detailed specification. It is the responsibility of a qualified electrician/electrical engineer to select the correct cable size and fuse rating based on current regulation and site specific conditions. Mitsubishi Electric's air conditioning equipment and heat pump systems contain a fluorinated greenhouse gas, R410A (GWP:2088), R32 (GWP:675), R407C (GWP:1774), R134a (GWP:1430), R513A (GWP:631), R454B (GWP:466), R1234ze (GWP:7) or R1234yf (GWP:4). *These GWP values are based on Regulation (EU) No 517/2014 from IPCC 4th edition. In case of Regulation (EU) No.626/2011 from IPCC 3rd edition, these are as follows. R410A (GWP:1975), R32 (GWP:550), R407C (GWP:1650) or R134a (GWP:1300).

Effective as of August 2020

