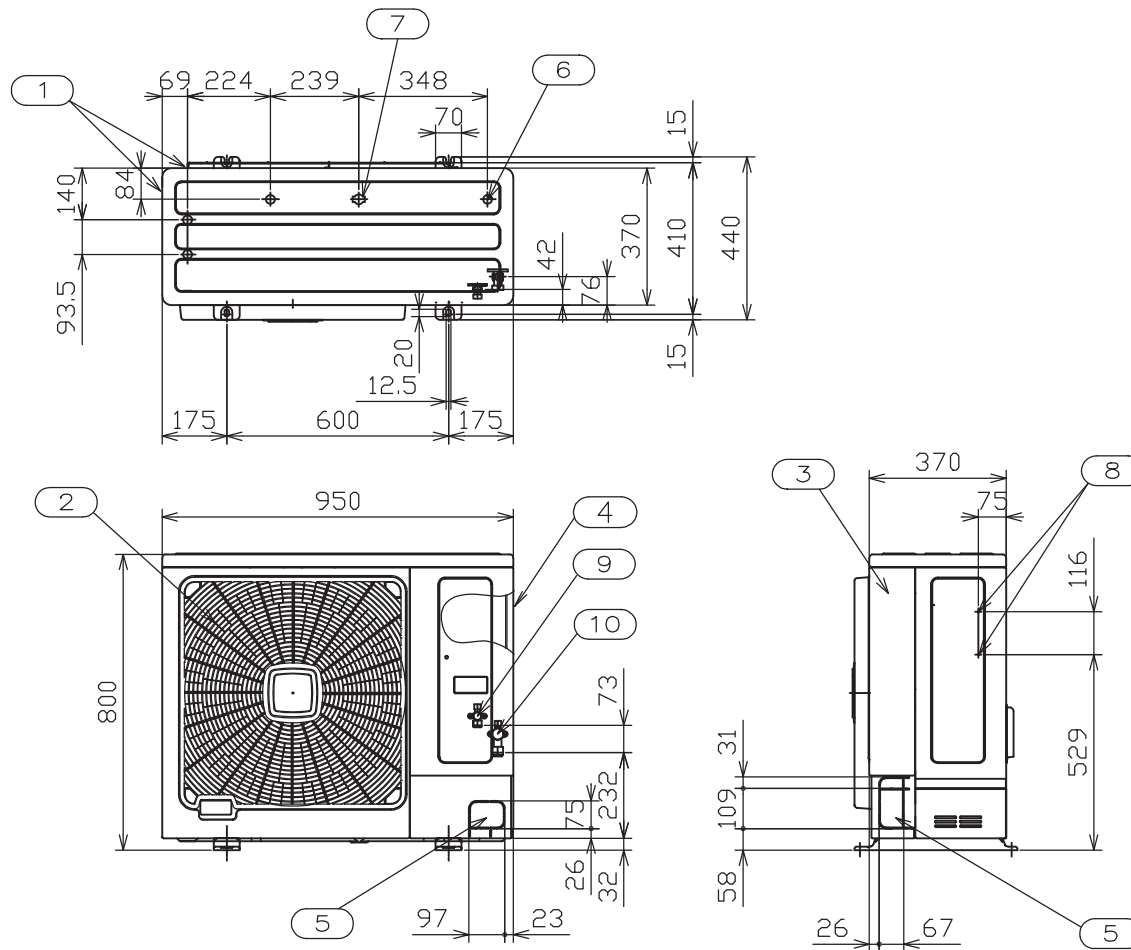


◆ RAS-3(X)HVNP1E



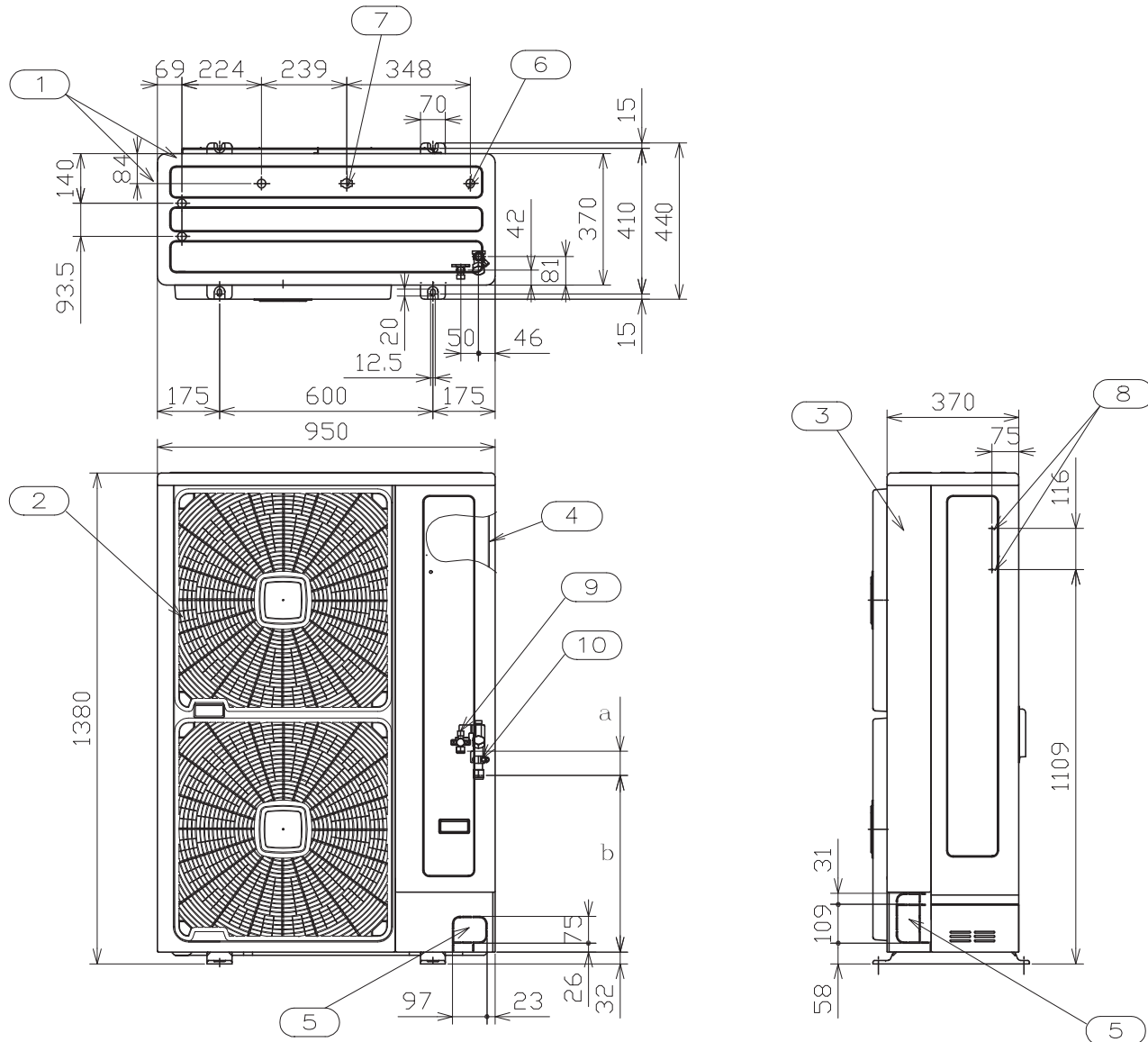
Units in mm.

Number	Description	Remarks
1	Air inlet	—
2	Air outlet	—
3	Service cover	—
4	Electrical switch box	—
5	Holes for refrigerant piping and electrical wiring piping	—
6	Drain holes	4-Ø24
7	Drain holes	1-Ø26
8	Holes for fixing machine to wall	4-(M5)
9	Refrigerant liquid pipe	—
10	Refrigerant gas pipe	—



Dimensions

◆ RAS-(4-6)(X)H(V)NP1E / RAS-(8/10)(X)HNPE



Units in mm.

Number	Description	Remarks
1	Air inlet	—
2	Air outlet	—
3	Service cover	—
4	Electrical switch box	—
5	Holes for refrigerant piping and electrical wiring piping	—
6	Drain holes	3-Ø24
7	Drain holes	2-Ø26
8	Holes for fixing machine to wall	4-(M5)
9	Refrigerant liquid pipe	—
10	Refrigerant gas pipe	—



	4-6 HP	8 HP	10 HP
a	90	81	99
b	459	465	465