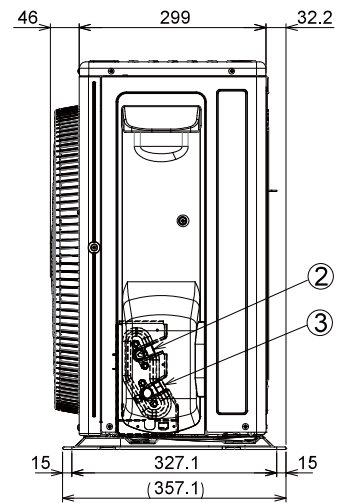
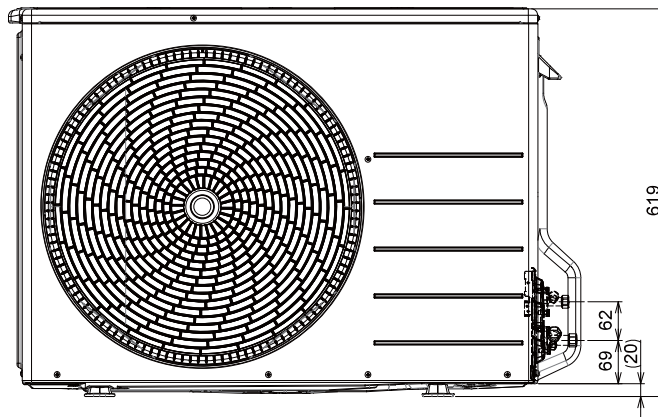
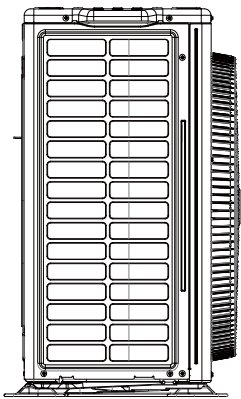
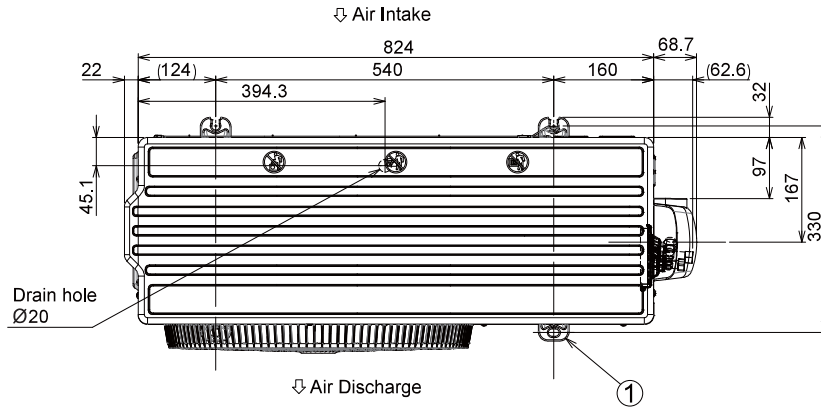


1-2-2. Outdoor Unit

1-2-2-1. PZ3 U-36PZ3E5, U-50PZ3E5

Unit: mm

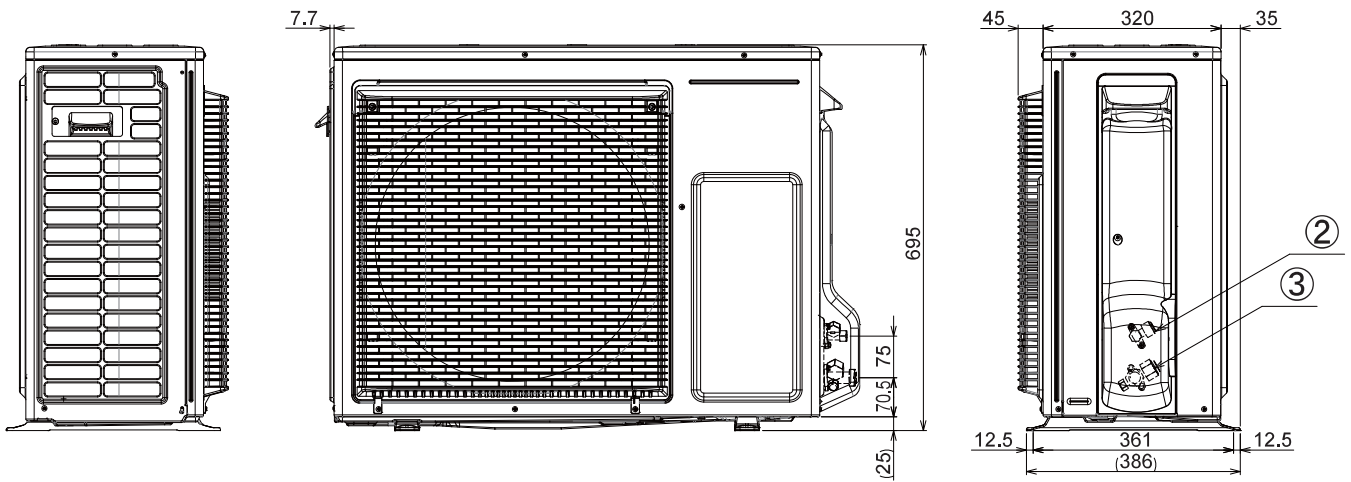
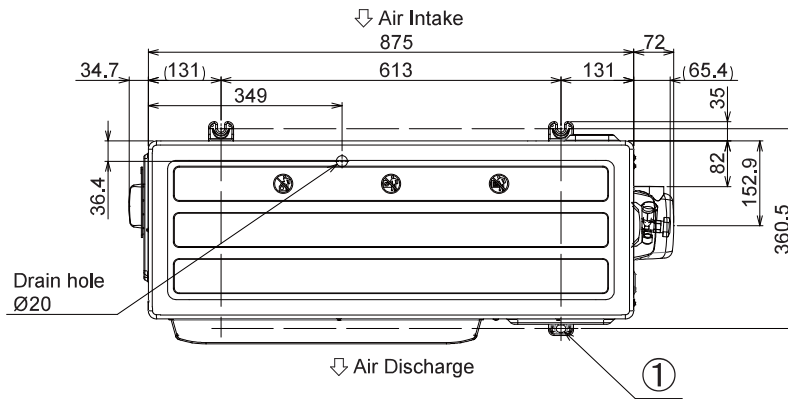
①	Mounting Hole (4-R6.5), anchor bolt: M10
②	Refrigerant tubing (liquid tube), flared connection (Ø6.35)
③	Refrigerant tubing (gas tube), flared connection (Ø12.7)



1-2-2-1. PZ3 U-60PZ3E5, U-71PZ3E5

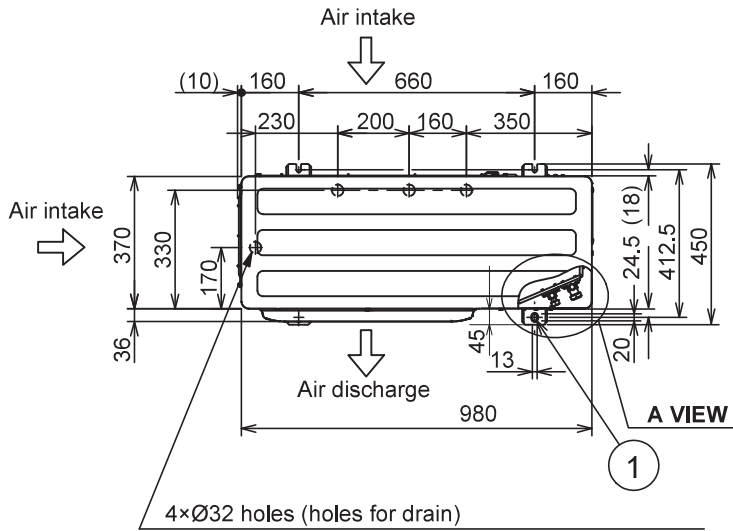
Unit: mm

①	Mounting hole (4-R6.5), anchor bolt : M10
②	Refrigerant tubing (liquid tube), flared connection (Ø 6.35)
③	Refrigerant tubing (gas tube), flared connection U-60PZ3E5 (Ø12.7) U-71PZ3E5 (Ø15.88)



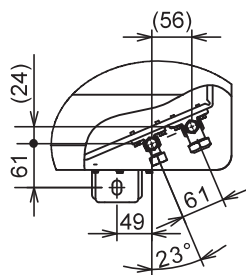
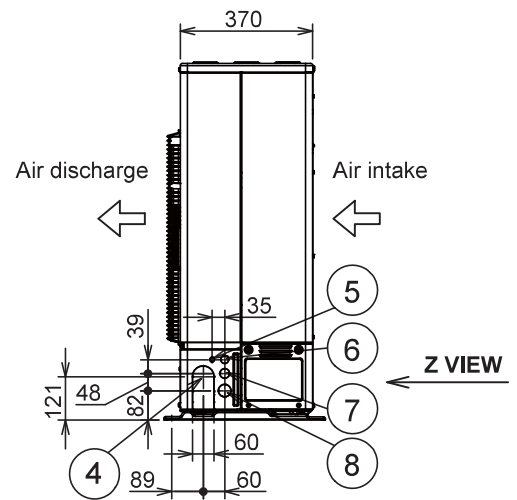
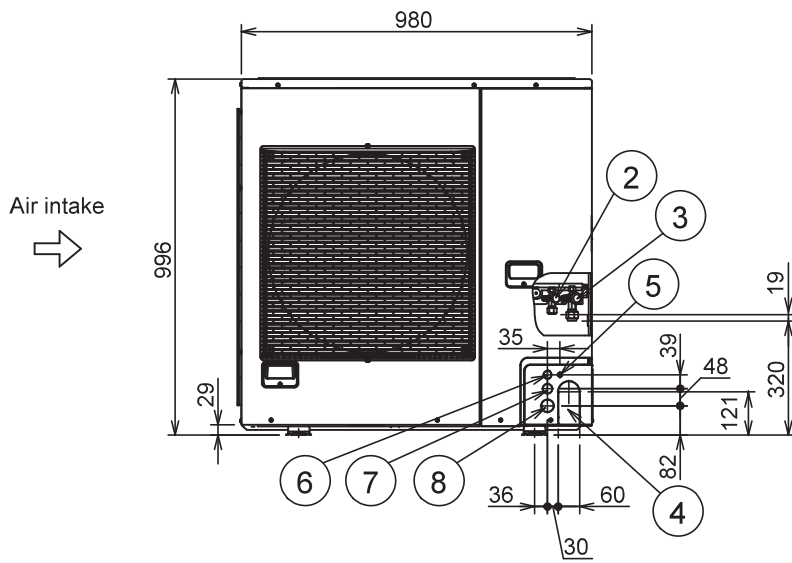
1-2-2-1. PZ3 U-100PZ3E5, U-125PZ3E5, U-140PZ3E5  
U-100PZ3E8, U-125PZ3E8, U-140PZ3E8

Unit: mm

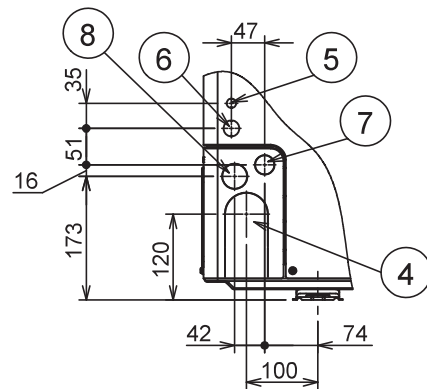


①	Mounting hole (4-R6.5), anchor bolt : M10
②	Refrigerant tubing (liquid tube), flared connection (Ø9.52)
③	Refrigerant tubing (gas tube), flared connection (Ø15.88)
④	Refrigerant tubing port
⑤	Electrical wiring port (Ø13)
⑥	Electrical wiring port (Ø22)
⑦	Electrical wiring port (Ø27)
⑧	Electrical wiring port (Ø35)

When using a drain pipe, install the drain socket (field supply) on to the drain hole. Seal the other drain hole with the rubber cap.



A VIEW



Z VIEW