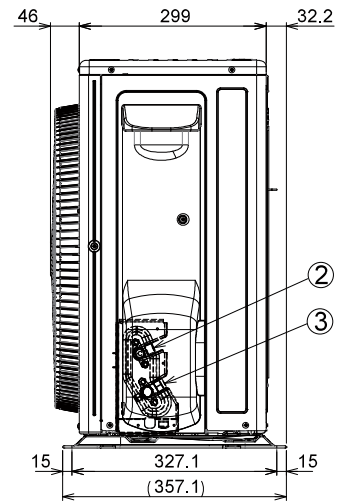
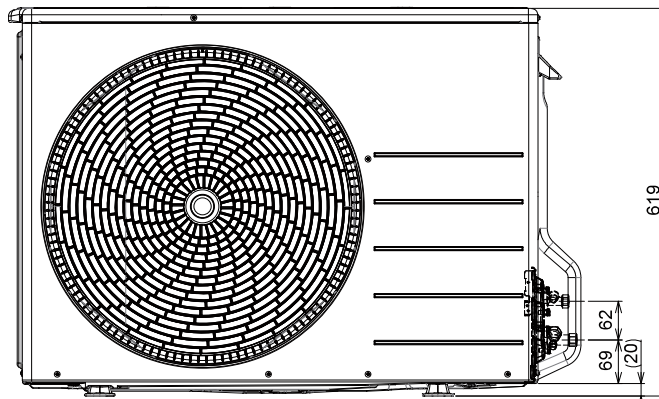
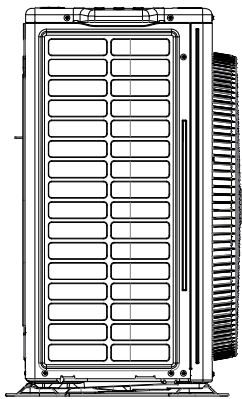
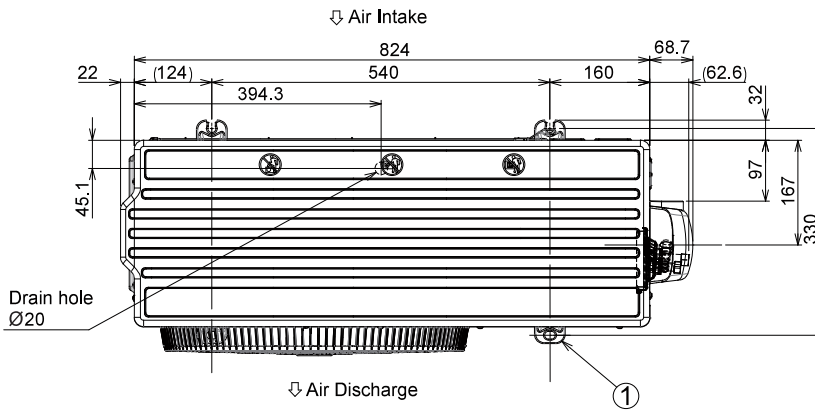


1-2. Dimensional Data

(B) Outdoor Units: U-36PZ3E5, U-50PZ3E5

①	Mounting Hole (4-R6.5), anchor bolt:M10
②	Refrigerant tubing(liquid tube), flared connection (Ø6.35)
③	Refrigerant tubing(gas tube), flared connection(Ø12.7)



1-2. Dimensional Data

(B) Outdoor Units: U-60PZ3E5, U-71PZ3E5

①	Mounting hole (4-R6.5), anchor bolt : M10
②	Refrigerant tubing (liquid tube), flared connection (Ø 6.35)
③	Refrigerant tubing (gas tube), flared connection U-60PZ3E5 (Ø 12.7) U-71PZ3E5 (Ø 15.88)

