

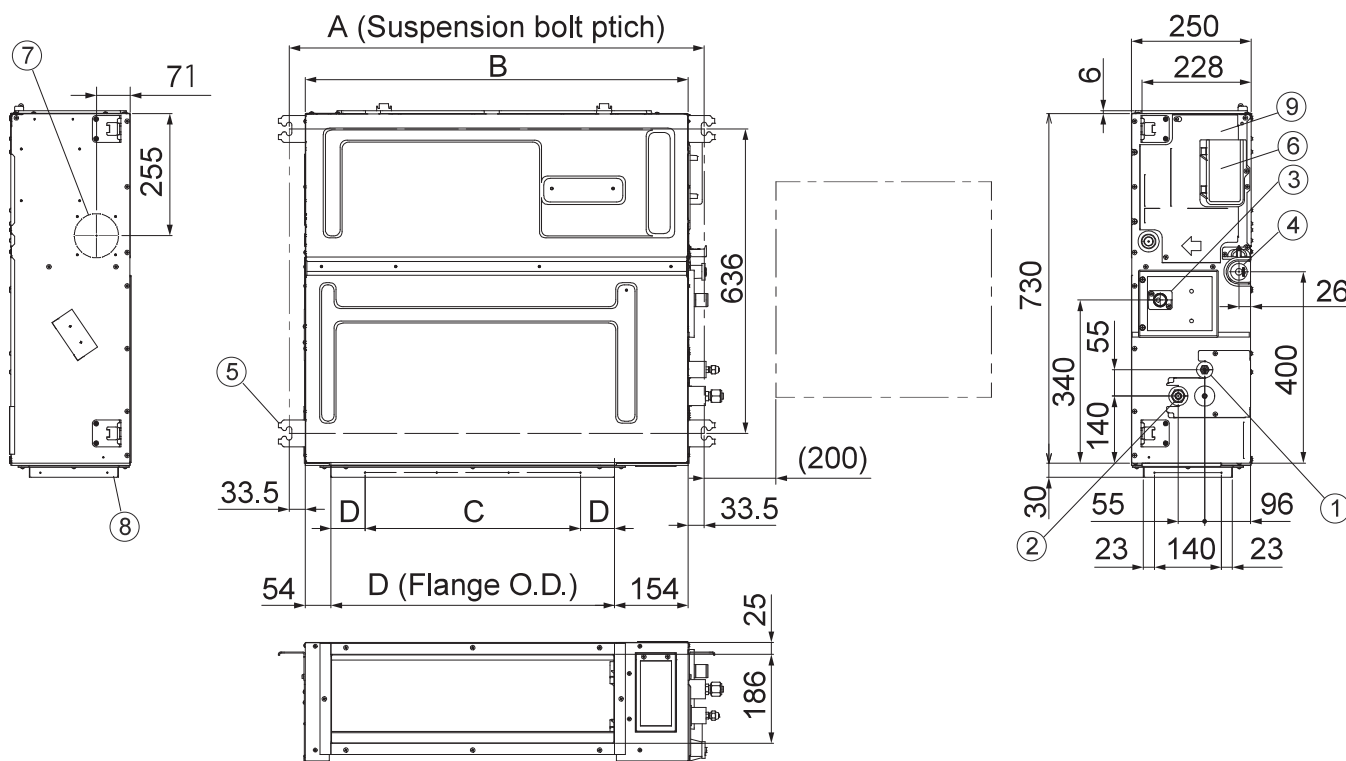
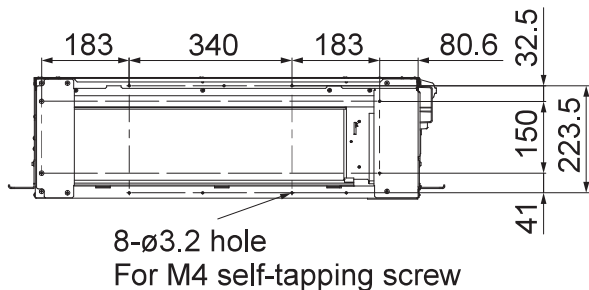
1-2. Dimensional Data

(A) Indoor Units: S-3650PF3E, S-6071PF3E, S-1014PF3E

Unit: mm

Type	A	B	C	D	E	F
3650	867	800	450 (Pitch 150 × 3)	71	592	12
6071	1,067	1,000	750 (Pitch 150 × 5)	21	792	16
1014	1,467	1,400	1,050 (Pitch 150 × 7)	71	1,192	20

Unit: mm



①	Refrigerant tubing joint (liquid tube) S-3650PF3E : ø6.35 (flared) S-6071PF3E : ø9.52 (flared) S-1014PF3E : ø9.52 (flared)
②	Refrigerant tubing joint (gas tube) S-3650PF3E : ø12.7 (flared) S-6071PF3E : ø15.88 (flared) S-1014PF3E : ø15.88 (flared)
③	Upper drain port VP20 (ø26 mm) 200 mm flexible hose supplied
④	Bottom drain port VP20 (ø26 mm)
⑤	Suspension lug (4 – 12 × 30 mm)
⑥	Power supply outlet
⑦	Fresh air intake port (ø100 mm)
⑧	Flange for flexible air outlet duct
⑨	Electrical component box