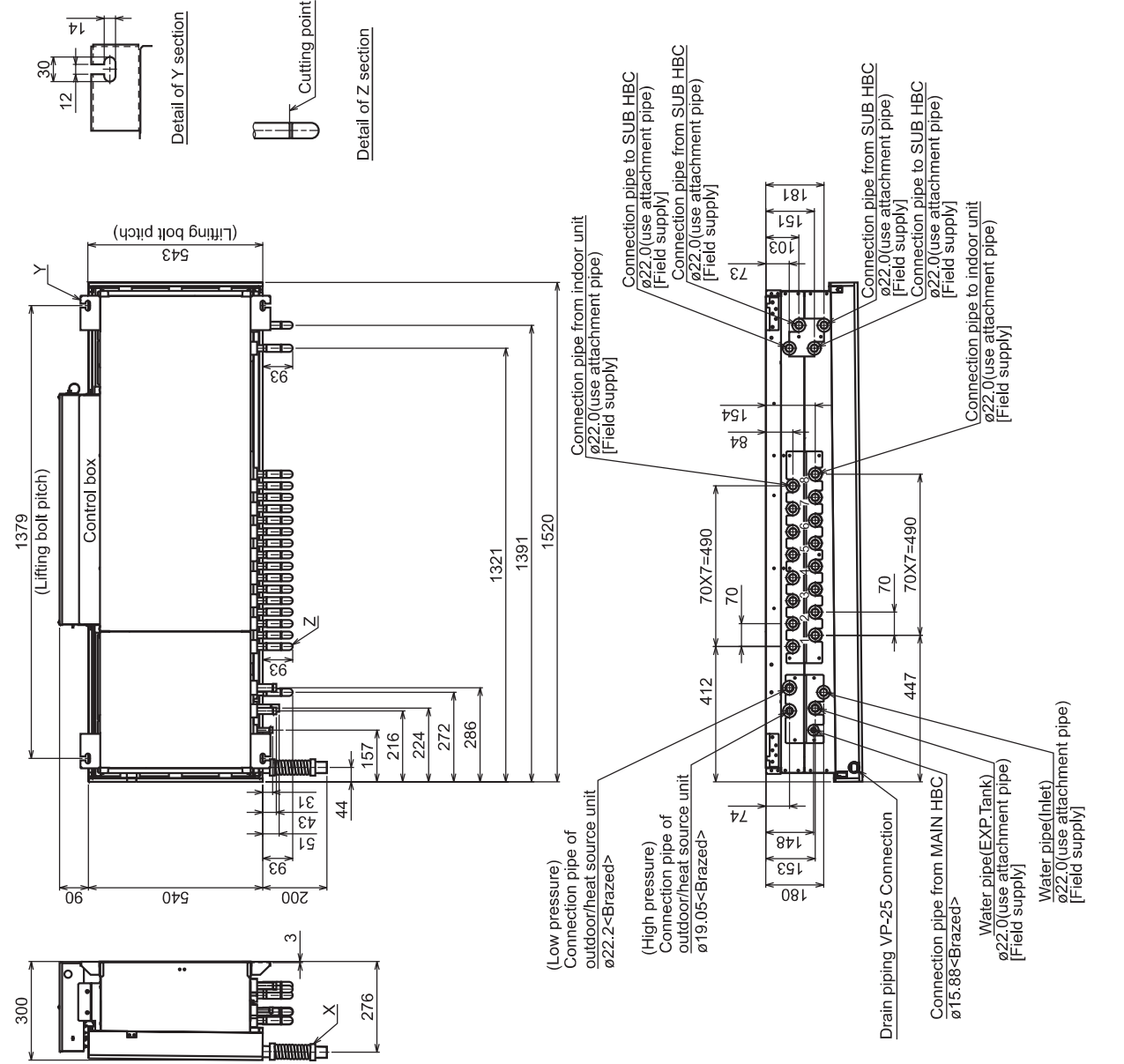
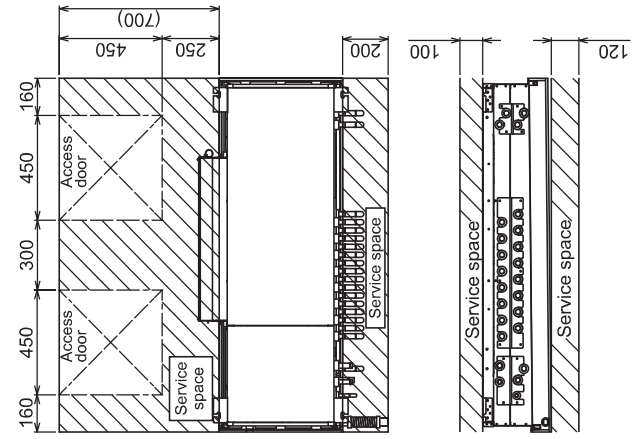


CMB-WM108V-AA

Unit : mm

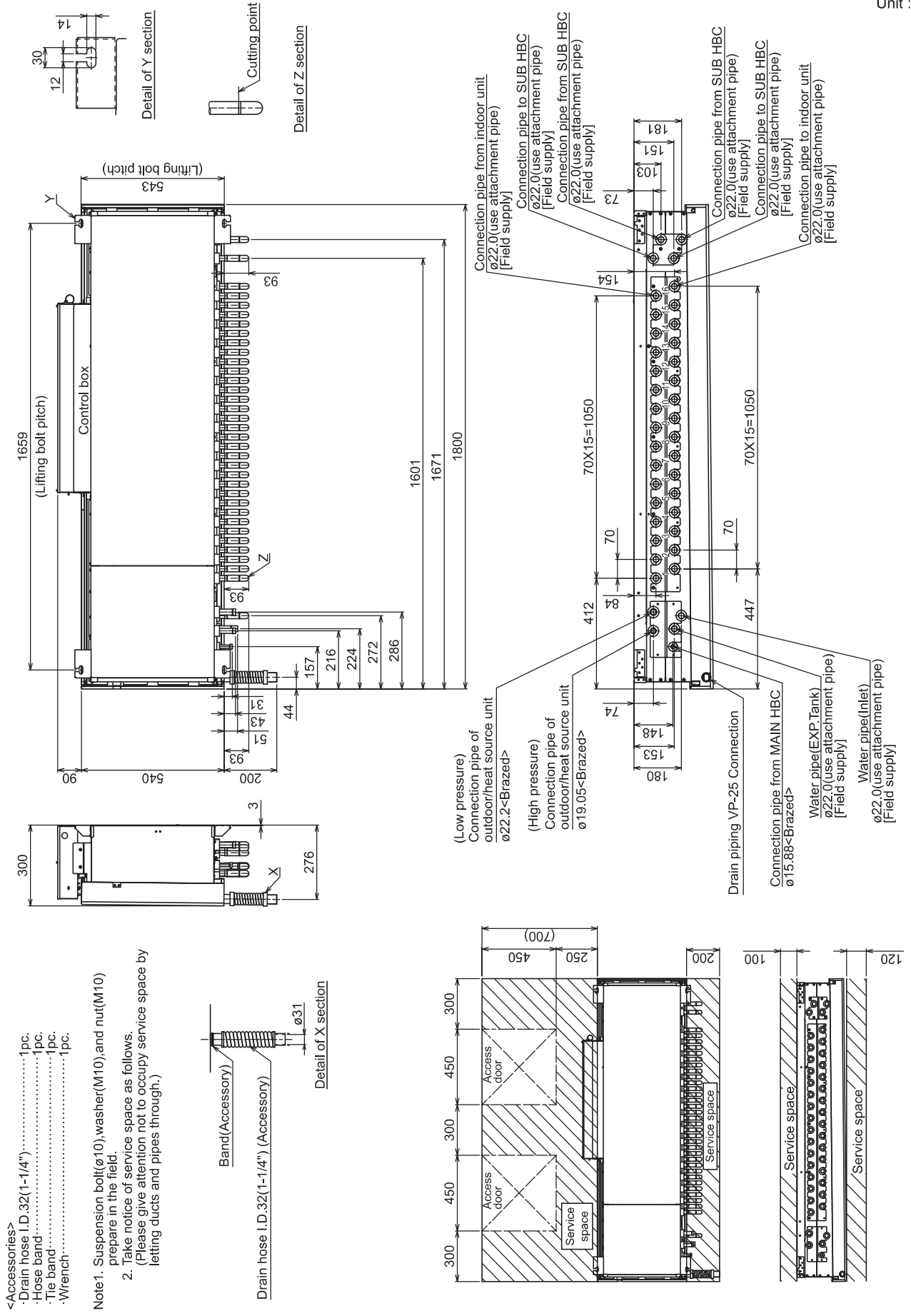


- <Accessories>  
 · Drain hose I.D. 32(1-1/4").....1pc.  
 · Hose band.....1pc.  
 · Tie band.....1pc.  
 · Wrench.....1pc.
- Note 1. Suspension bolt(ø10), washer(M10), and nut(M10) prepare in the field.  
 2. Take notice of service space as follows.  
 (Please give attention not to occupy service space by letting ducts and pipes through.)



CMB-WM1016V-AA

Unit : mm

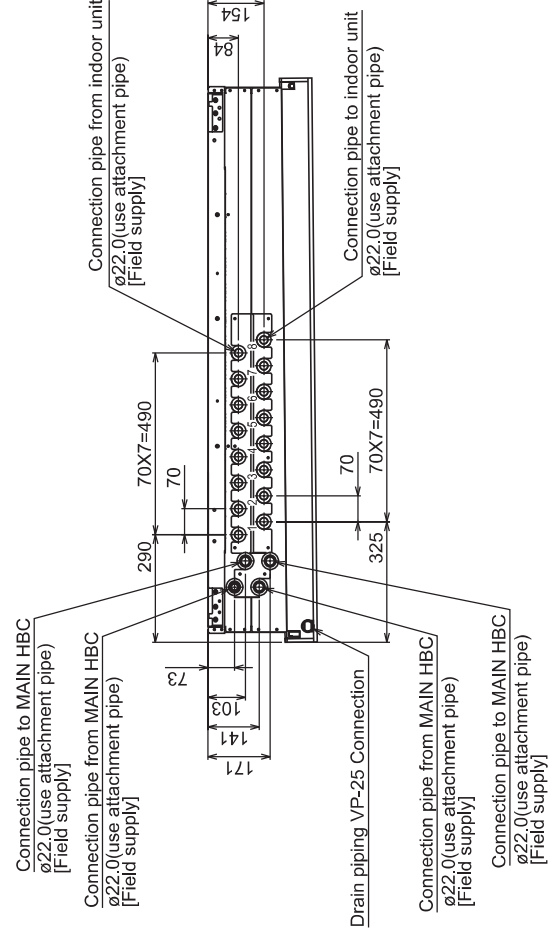
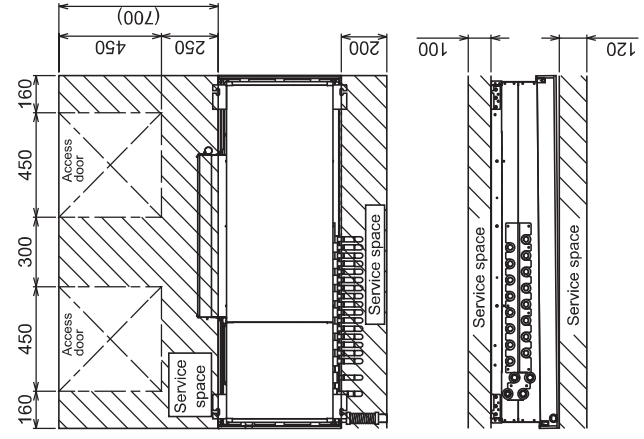
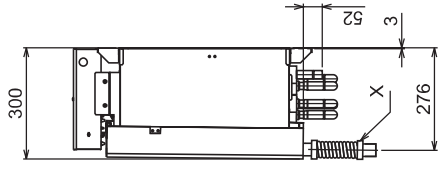
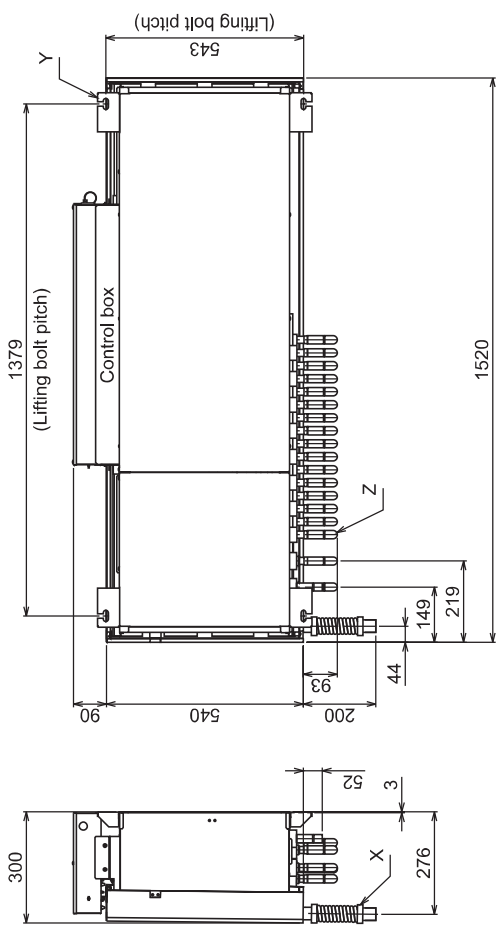
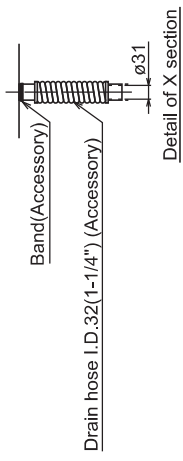


CMB-WM108V-AB

Unit : mm

- <Accessories>  
 - Drain hose I.D. 32(1-1/4").....1pc.  
 - Hose band.....1pc.  
 - Tie band.....1pc.

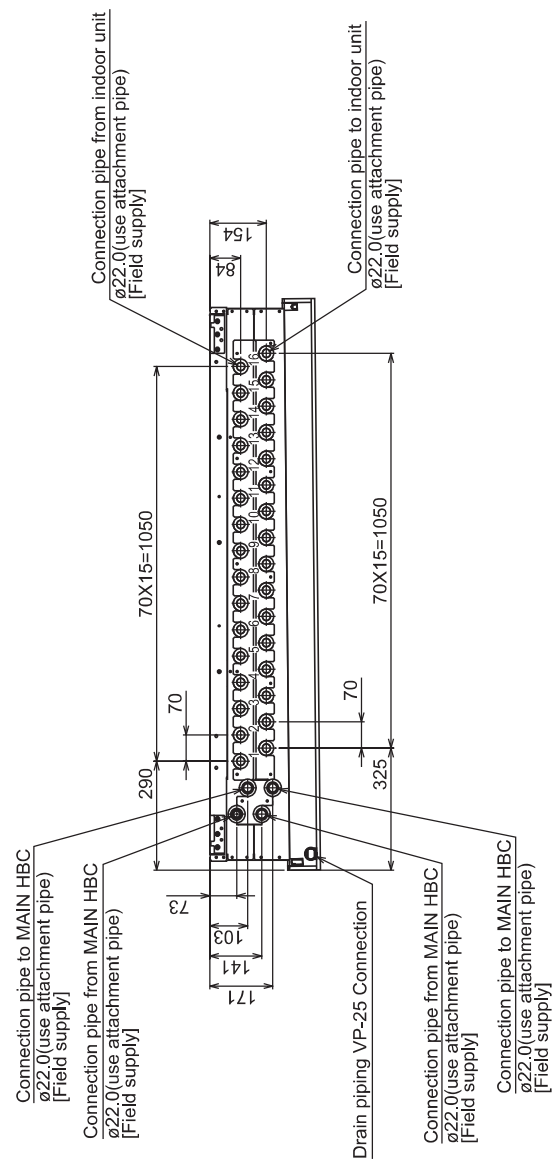
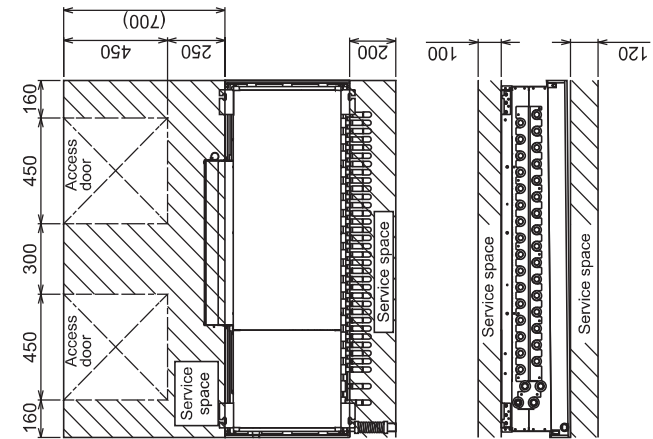
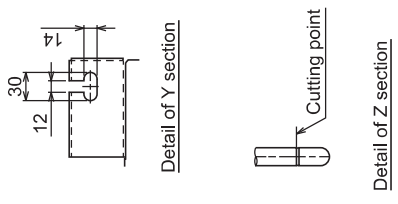
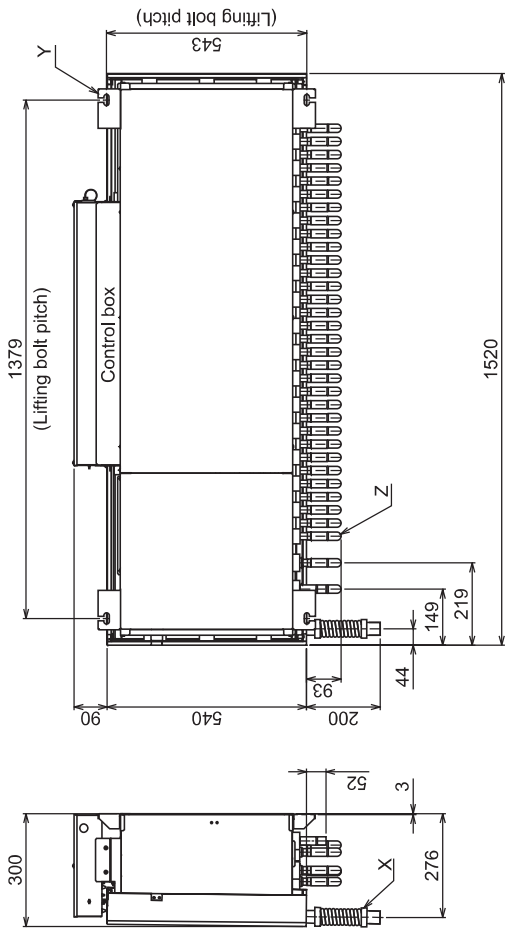
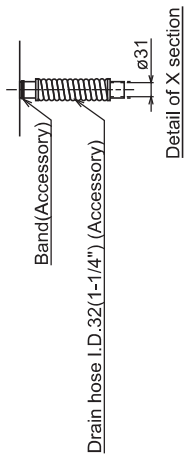
Note 1. Suspension bolt(φ10), washer(M10), and nut(M10) prepare in the field.  
 2. Take notice of service space as follows.  
 (Please give attention not to occupy service space by letting ducts and pipes through.)



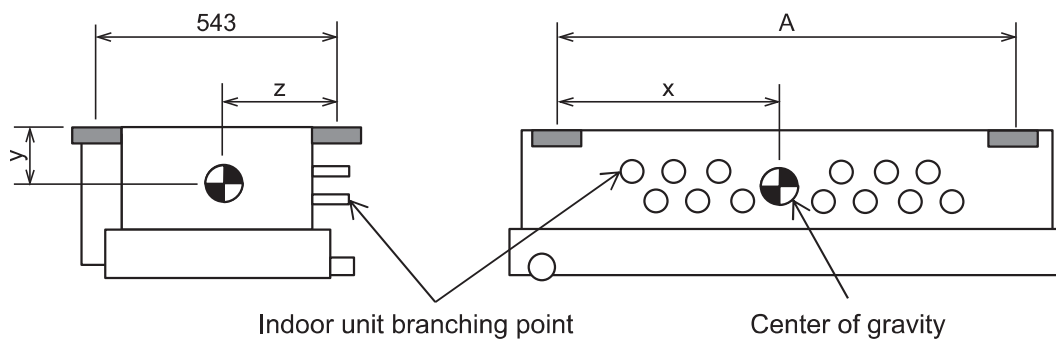
CMB-WM1016V-AB

Unit : mm

- <Accessories>  
 · Drain hose I.D.32(1-1/4").....1pc.  
 · Hose band.....1pc.  
 · Tie band.....1pc.
- Note 1. Suspension bolt(φ10), washer(M10), and nut(M10) prepare in the field.  
 2. Take notice of service space as follows.  
 (Please give attention not to occupy service space by letting ducts and pipes through.)



CMB-WM108, 1016V-AA  
 CMB-WM108, 1016V-AB



	CMB-WM108V-AA	CMB-WM1016V-AA	CMB-WM108V-AB	CMB-WM1016V-AB
A (mm)	1379	1659	1379	1379
x (mm)	680	825	610	680
y (mm)	145	145	145	145
z (mm)	285	285	270	270