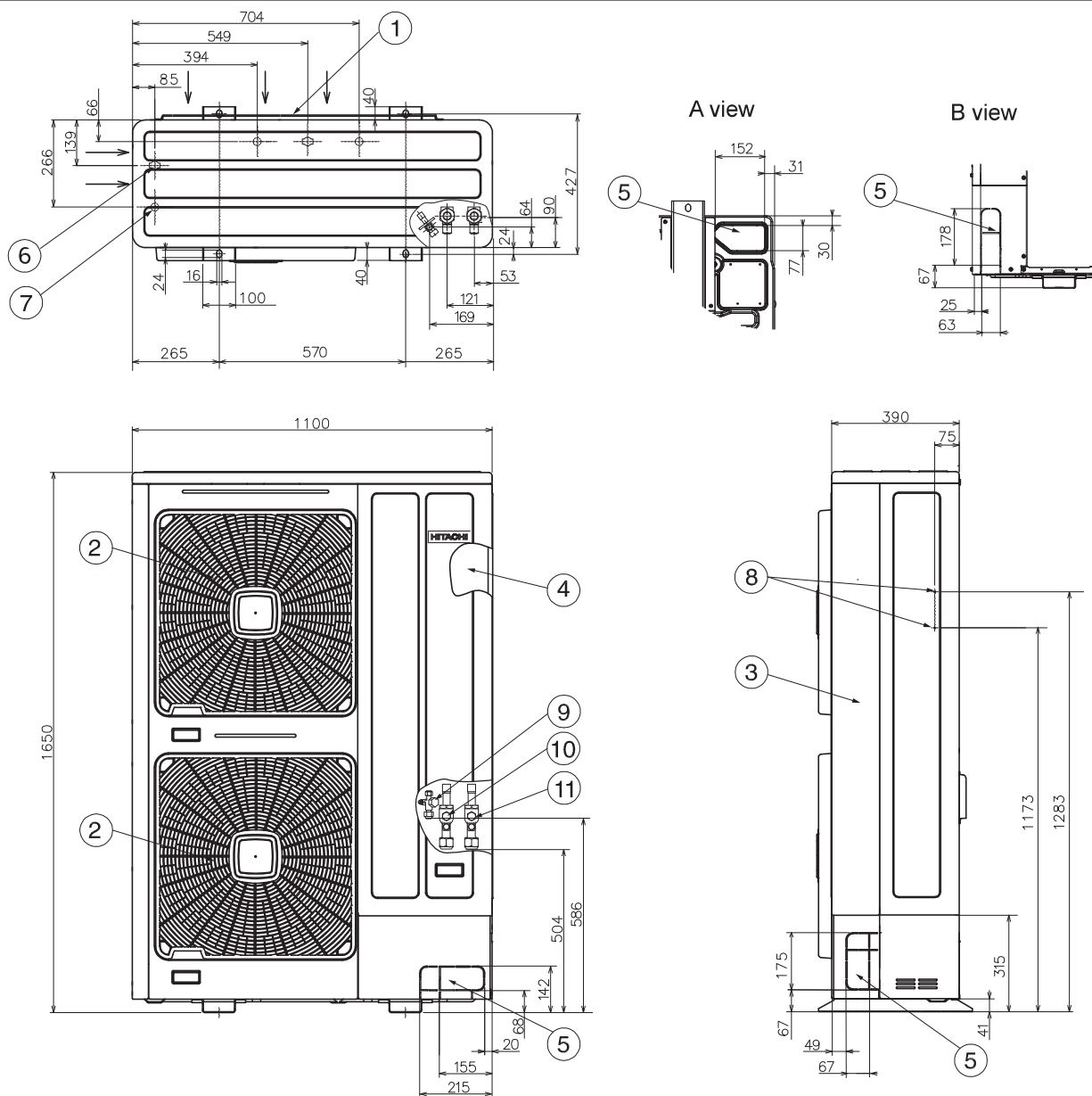


**6.2 RAS-(8-12)FSXNME dimensions**



N°	Part	Remarks	N°	Part	Remarks
1	Air Inlet	→	6	Drain holes	4- $\phi$ 24
2	Air Outlet		7	Drain holes (connexion for DBS-26)	1- $\phi$ 26
3	Service Cover		8	Holes for fixing machine to wall	2-M5
4	Electrical Switch Box		9	Refrigerant liquid pipe	$\phi$ a
5	Holes for refrigerant piping and electrical wiring piping		10	Gas line refrigerant piping connection (Low pressure)	$\phi$ b
			11	Gas line refrigerant piping connection (High/Low pressure)	$\phi$ c

	Heat recovery			Heat pump		
	8HP	10HP	12HP	8HP	10HP	12HP
a	9.52	9.52	12.7	9.52	9.52	12.7
b	19.05	22.2	25.4	not used	not used	not used
c	15.88	19.05	22.2	19.05	22.2	25.4

All dimensions in mm.