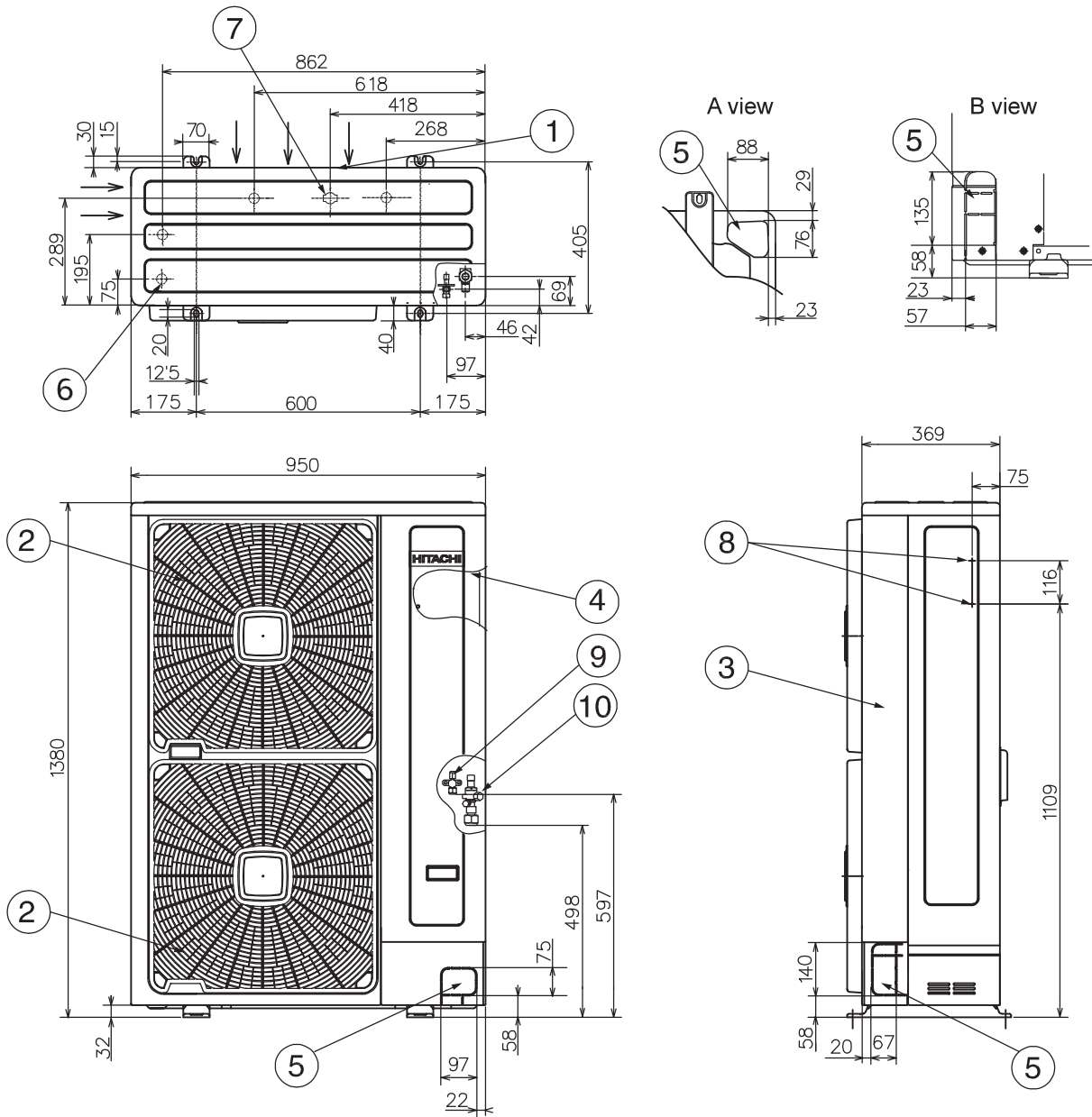


6.1 RAS-(4-6)FS(V)NME dimensions



N°	Part		N°	Part	
1	Air Inlet	→	6	Drain holes	4-ø24
2	Air Outlet		7	Drain holes (connexion for DBS-26)	1-ø26
3	Service Cover		8	Holes for fixing machine to wall	2-M5
4	Electrical Switch Box		9	Refrigerant liquid pipe	ø9.52
5	Holes for refrigerant piping and electrical wiring piping		10	Refrigerant gas pipe	ø15.88

All dimensions in mm.