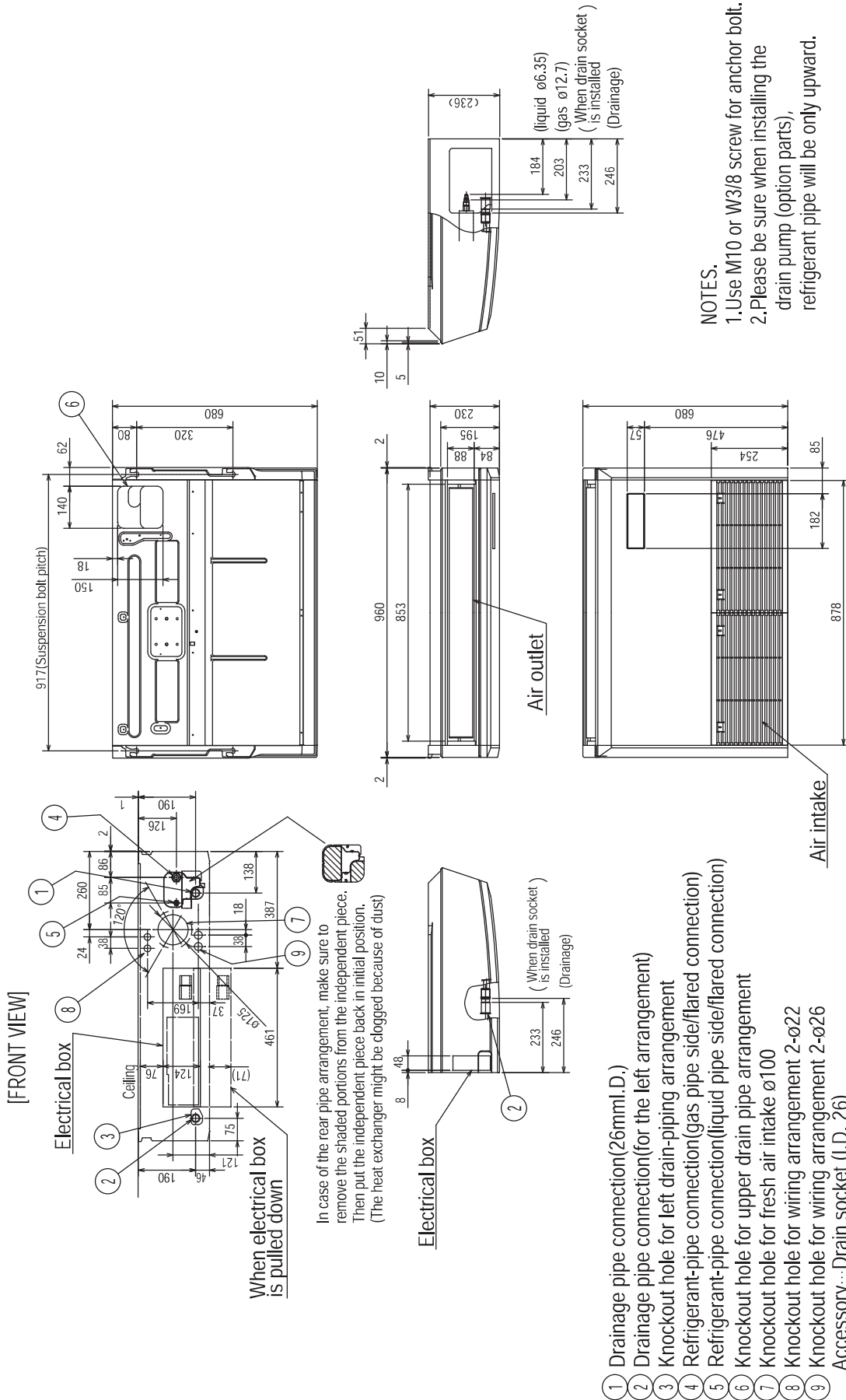


PCA-M35KA

PCA-M50KA

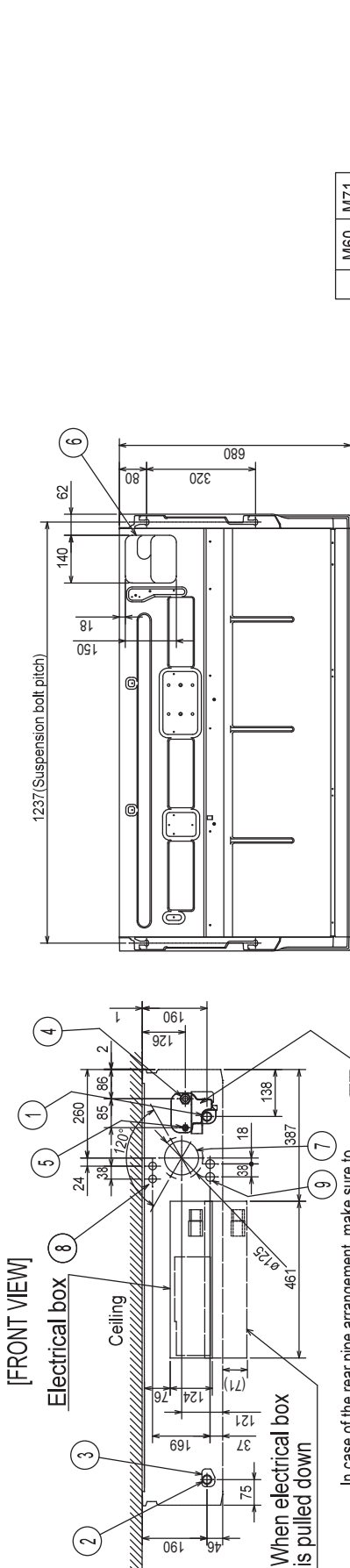
Unit: mm



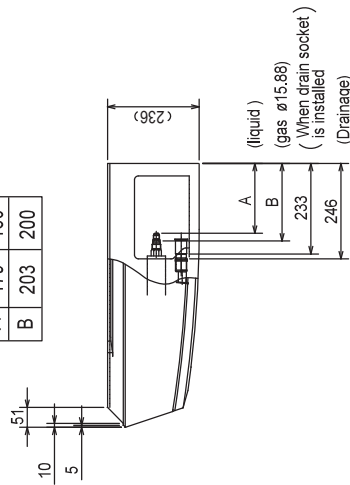
PCA-M60KA

PCA-M71KA

Unit: mm



	M60	M71
A	179	180
B	203	200

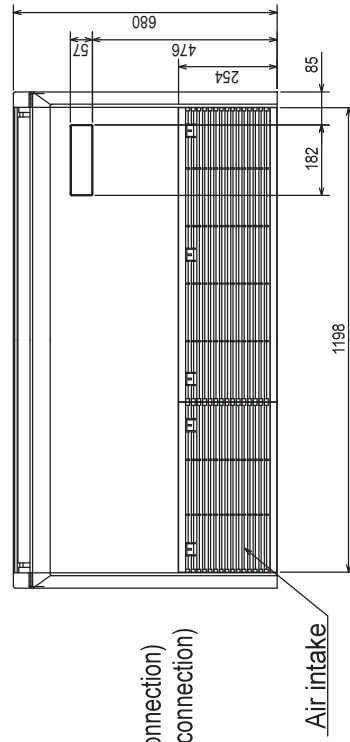
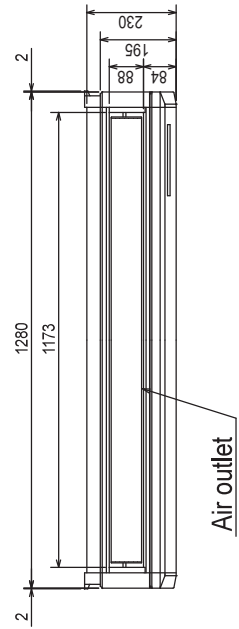


- NOTES.**
 1. Use M10 or W3/8 screw for anchor bolt.
 2. Please be sure when installing the drain pump (option parts), refrigerant pipe will be only upward.

Use the current nuts meeting the pipe size of the outdoor unit.

Available pipe size	M60	M71
⑤ LIQUID SIDE	ø6.35	—
④ GAS SIDE	ø9.52 ○	ø15.88 ○

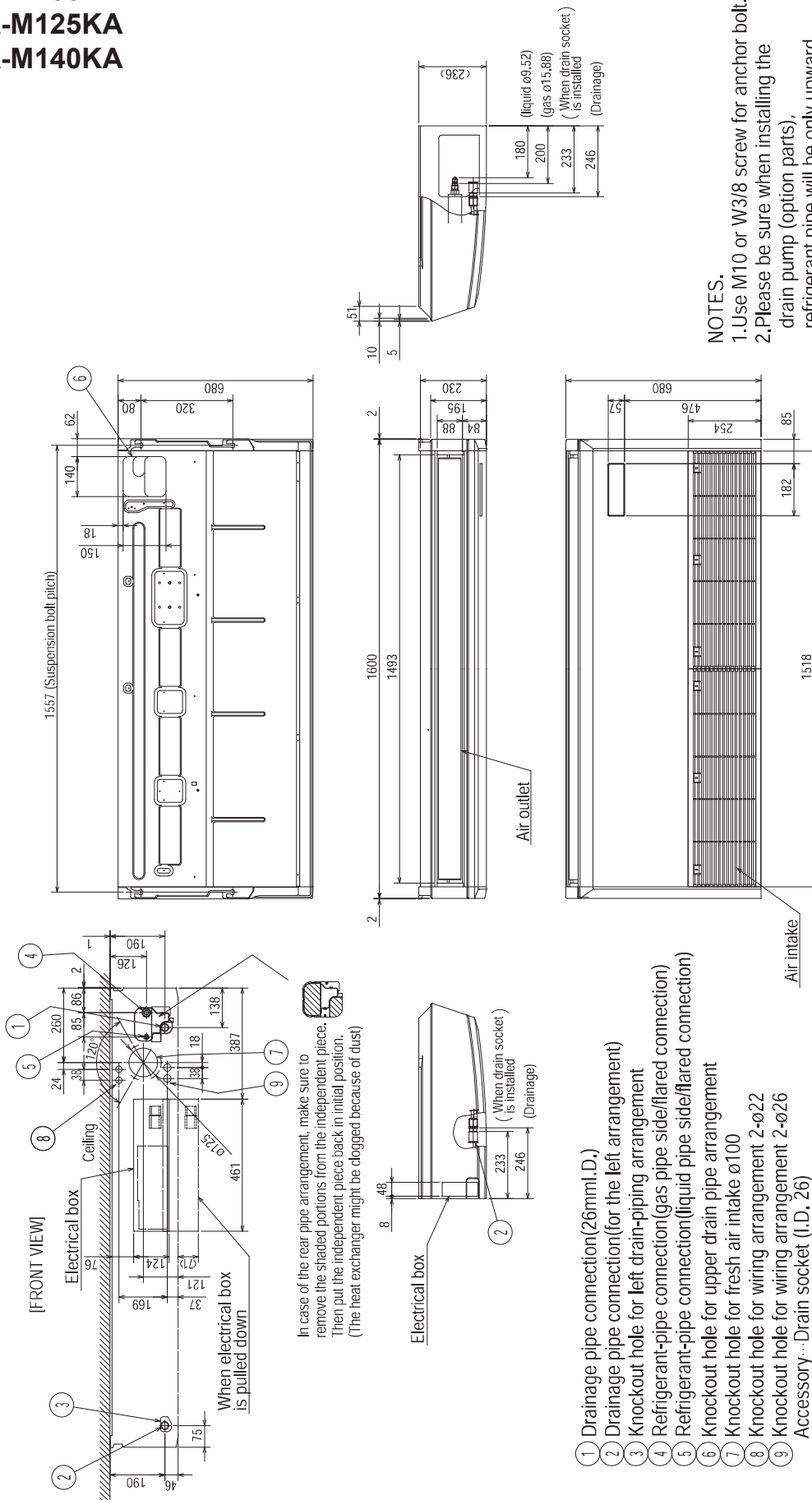
○ Initial flare nut size



- ① Drainage pipe connection(26mm I.D.)
 - ② Drainage pipe connection(for the left arrangement)
 - ③ Knockout hole for left drain-piping arrangement
 - ④ Refrigerant-pipe connection(gas pipe side/flared connection)
 - ⑤ Refrigerant-pipe connection(liquid pipe side/flared connection)
 - ⑥ Knockout hole for upper drain pipe arrangement
 - ⑦ Knockout hole for fresh air intake ø100
 - ⑧ Knockout hole for wiring arrangement 2-ø22
 - ⑨ Knockout hole for wiring arrangement 2-ø26
- Accessory...-Drain socket (I.D. 26)
 Flare nut ø6.35 (M60 only)

PCA-M100KA
PCA-M125KA
PCA-M140KA

Unit: mm



NOTES.

1. Use M10 or W3/8 screw for anchor bolt.
2. Please be sure when installing the drain pump (option parts), refrigerant pipe will be only upward.

In case of the rear pipe arrangement, make sure to remove the shaded portions from the independent piece. Then put the independent piece back in initial position. (The heat exchanger might be clogged because of dust)

- ① Drainage pipe connection(26mm I.D.)
 - ② Drainage pipe connection(for the left arrangement)
 - ③ Knockout hole for left drain-piping arrangement
 - ④ Refrigerant-pipe connection(gas pipe side/flared connection)
 - ⑤ Refrigerant-pipe connection(liquid pipe side/flared connection)
 - ⑥ Knockout hole for upper drain pipe arrangement
 - ⑦ Knockout hole for fresh air intake $\phi 100$
 - ⑧ Knockout hole for wiring arrangement 2- $\phi 22$
 - ⑨ Knockout hole for wiring arrangement 2- $\phi 26$
- Accessory...: Drain socket (I.D. 26)