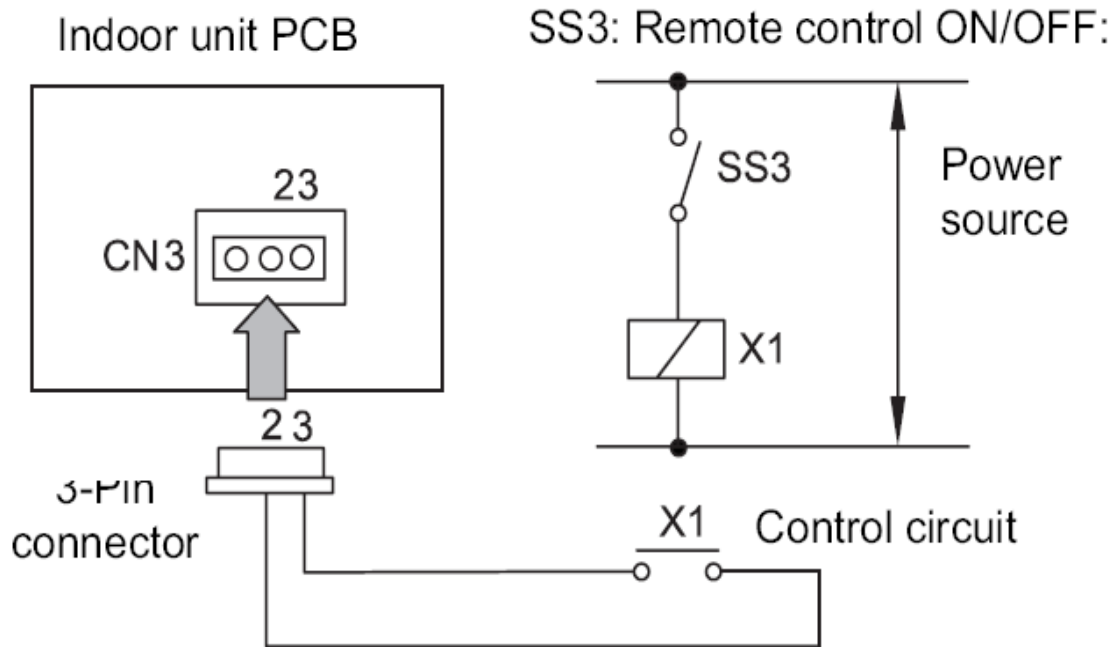


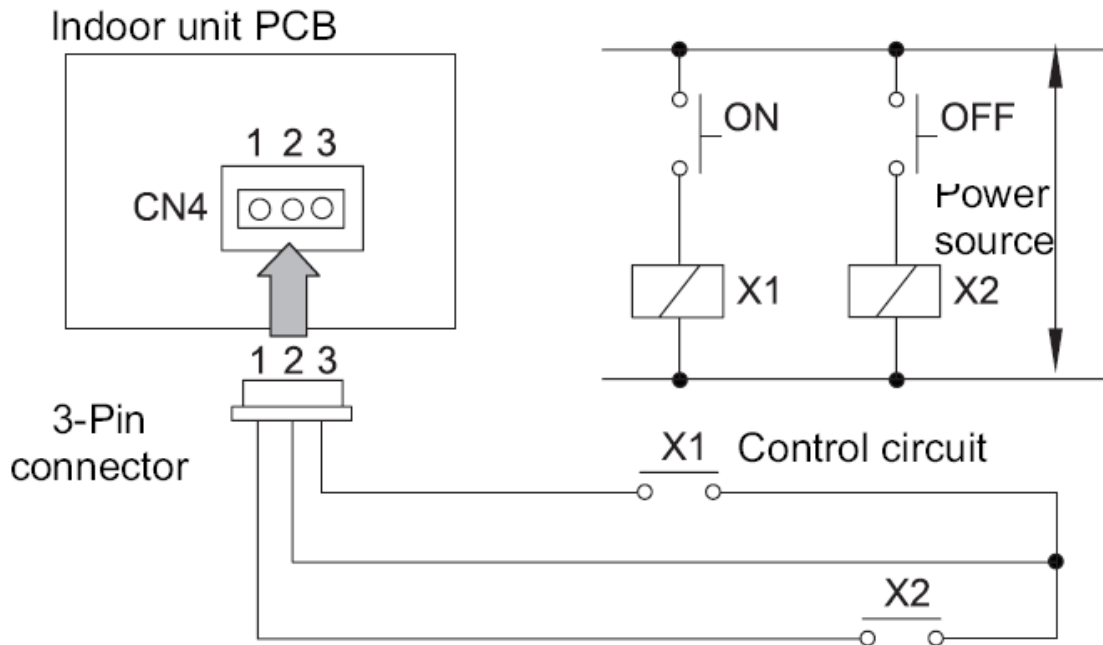
This is a remote ON/OFF function that uses the level signal (ON/OFF). The basic wiring and the time chart are shown below.



Level Signal Input

This is a remote ON/OFF function that uses the pulse signal. The basic wiring and the time chart are shown below.

Turn OFF the main switch before setting the DIP switch as shown below.



Pulse Signal Input

Picking up the OPERATION SIGNAL

You use this function in order to pick up the operation signal. By means of this function, you can check the operation signal at a remote place. You can also interlock the operation at the motor of the fresh-air intake fan.

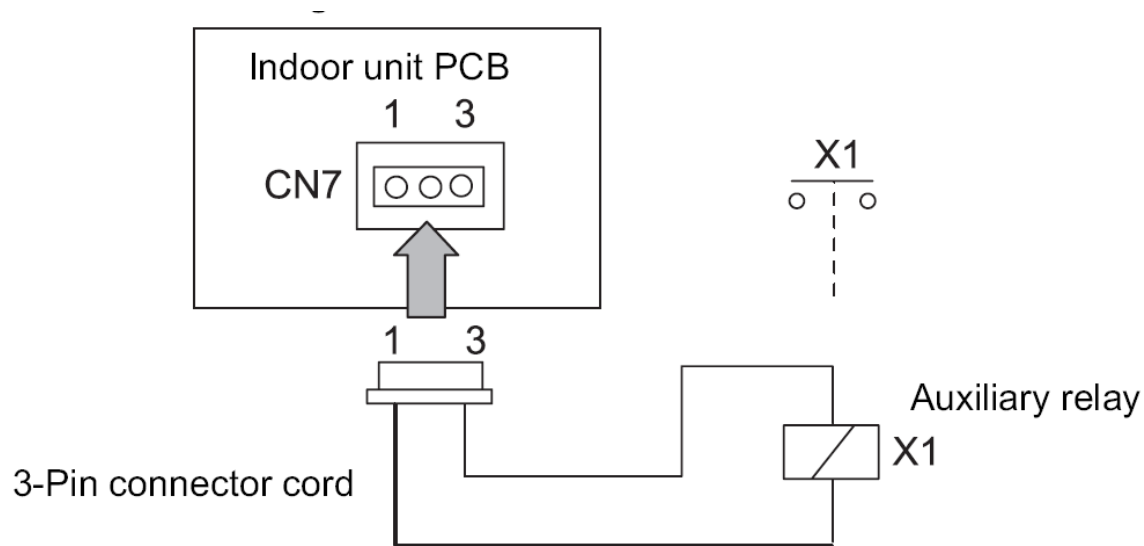
When you turn on the unit, the auxiliary relay RY is energized by closing the contacts RYa.

Picking up the ALARM SIGNAL

You use this option to provide a remote indication of a fault on the unit, in addition to the LED on the standard remote control. (RUN LED flickers 5 times/5 seconds). When a fault occurs, the auxiliary relay RY is energized and remains energized until you clear the fault and you reset the unit by means of the standard remote control. The details of the wiring are shown below.

PCC-1A Three Wire Adapter Operation.

You use this option to provide a remote indication of a fault on the unit, in addition to the LED on the standard remote control. (RUN LED flickers 5 times/5 seconds). When a fault occurs, the auxiliary relay RY is energized and remains energized until you clear the fault and you reset the unit by means of the standard remote control. The details of the wiring are shown below.



Part name	Specifications / Model
Auxiliary relay*	OMRON High Power Relay Model LY2F DC12V
Connector cable	PCC-1A (3P connector cable)

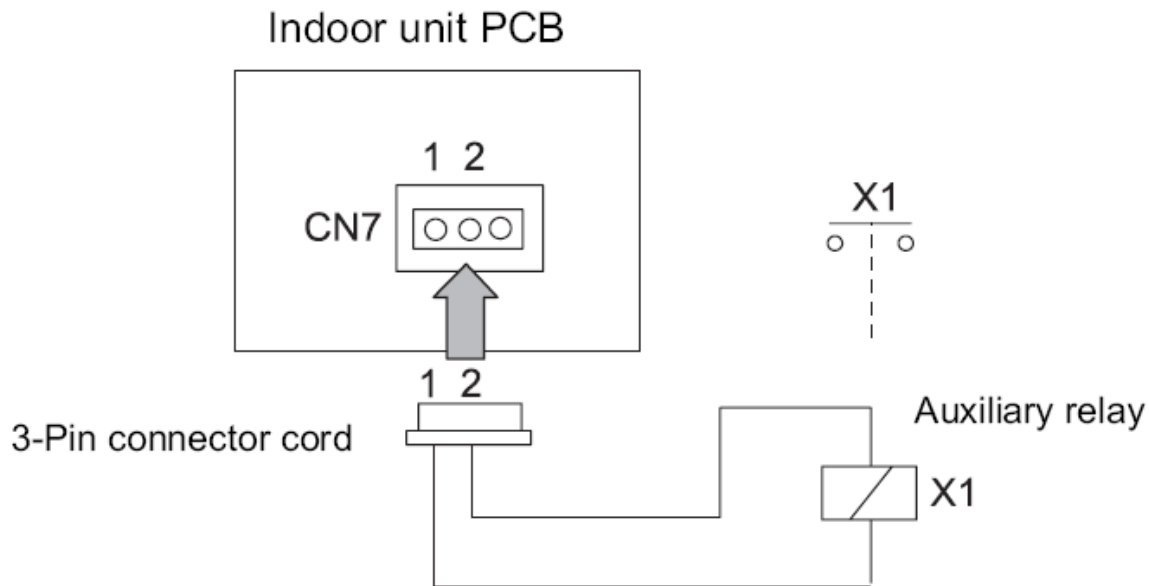
*: Do not use the relay with the diode.

Setting of DSW2

NOT REQUIRED

Alarm Output

You use this option to provide a remote indication of a fault on the unit, in addition to the LED on the standard remote control. (RUN LED flickers 5 times/5 seconds). When a fault occurs, the auxiliary relay RY is energized and remains energized until you clear the fault and you reset the unit by means of the standard remote control. The details of the wiring are shown below.



Part name	Specifications / Model
Auxiliary relay*	OMRON High Power Relay Model LY2F DC12V
Connector cable	PCC-1A (3P connector cable)

*: Do not use the relay with the diode.

Setting of DSW2

NOT REQUIRED

Operation (Run) Output

- For fault output, unit will generate 12vDC from CN7 when a fault occurs.
 - Normal operation issues no or nominal output
- Utilise 1+2 (Output 1) or 1+3 (Output 2) on CN7.
- Relay needs to switch the CN3 input on the next unit to enable the operation.
- Relay terminals to be normally closed