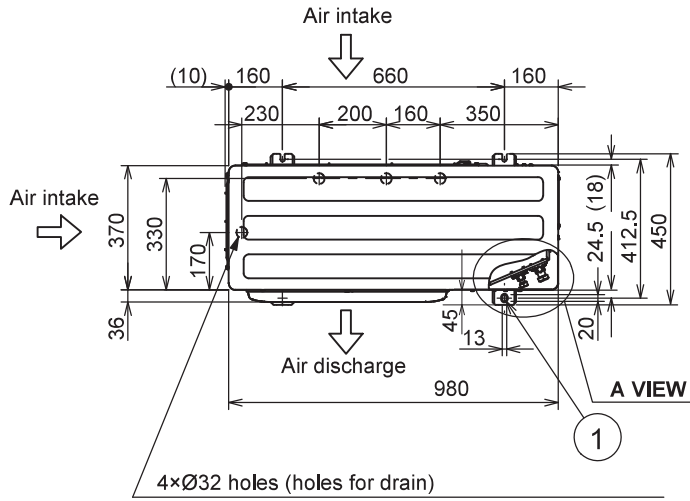


1-2. Dimensional Data

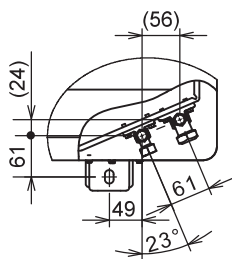
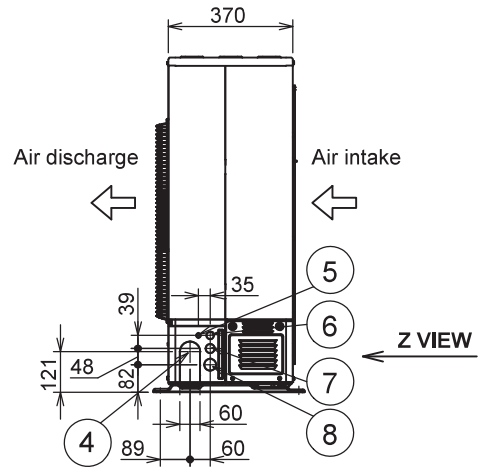
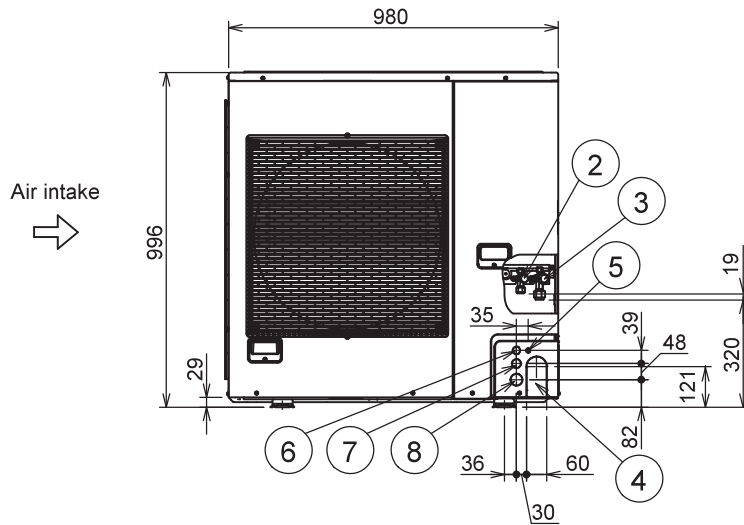
(B) Outdoor Units: U-100PZ2E5 / U-125PZ2E5 / U-140PZ2E5
 U-100PZ2E8 / U-125PZ2E8 / U-140PZ2E8

Unit: mm

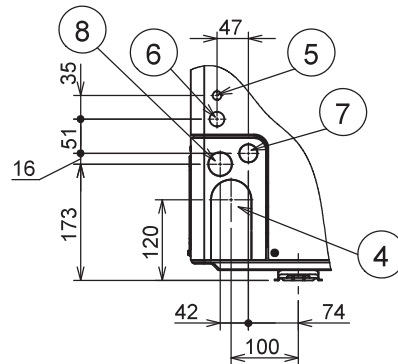


①	Mounting hole (4-R6.5), anchor bolt : M10
②	Refrigerant tubing (liquid tube), flared connection (Ø9.52)
③	Refrigerant tubing (gas tube), flared connection (Ø15.88)
④	Refrigerant tubing port
⑤	Electrical wiring port (Ø13)
⑥	Electrical wiring port (Ø22)
⑦	Electrical wiring port (Ø27)
⑧	Electrical wiring port (Ø35)

When using a drain pipe, install the drain socket (field supply) on to the drain port. Seal the other drain port with the rubber cap.



A VIEW



Z VIEW