

# Technical Bulletin

Number	P019
Subject	Panasonic – Inline Fuse for PAC- <i>i</i>
Date	27 June 2019

Interconnecting wiring for all PAC-*i* models is two core 0.75mm<sup>2</sup> screened cable. This therefore requires a separate power supply to both indoor and outdoor unit.

In instances where a local power supply cannot be supplied to the indoor unit, Logicool will provide an inline fuse to be connected to the live terminal of the condensing unit. This allows L, N & E to be run as a SEPARATE cable from Outdoor to Indoor unit.

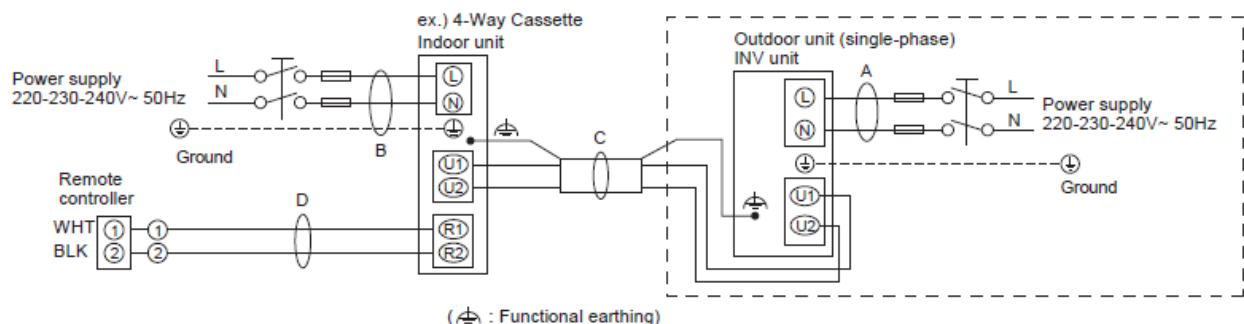
In this instance you must still supply a local fused spur at the indoor unit. 2 core 0.75mm<sup>2</sup> cable must remain separate from the Live.

Running a 5 core cable will invalidate the warranty.

*Official wiring as per installation manual is mains power to Indoor Unit with 2 core interconnecting to Outdoor Unit*

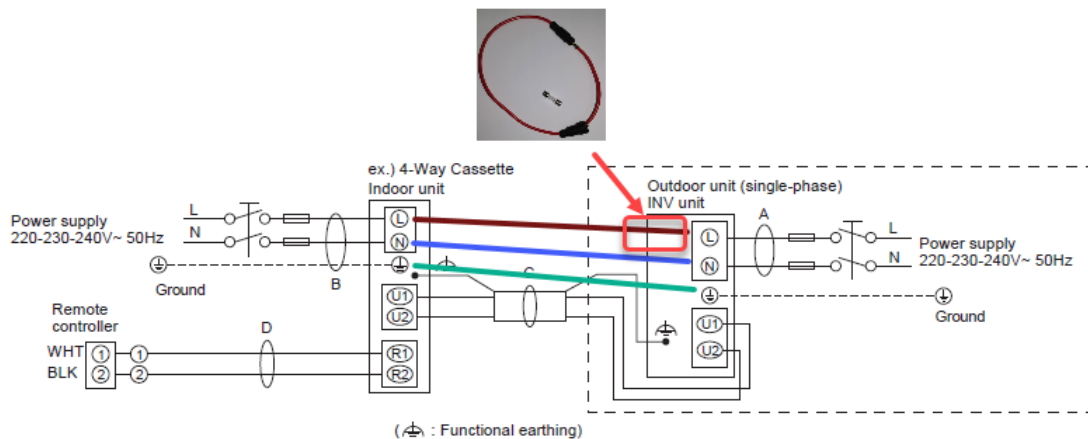
## Option One - Mains Power to Indoor Unit and Outdoor Unit as per the Installation Manual

- Power supply to both units
- 2 Core 0.75mm<sup>2</sup> Screened Cable interconnecting between U1 & U2 terminals



## Option Two - Mains Power to Outdoor Unit

- Power supply to Outdoor Unit
- Interconnecting as follows
  - L on Condenser terminal to L on Indoor terminal block
  - Inline fuse fitted locally at L Terminal Block.
  - N on Condenser terminal to N on Indoor terminal block
  - E on Condenser terminal to E on Indoor terminal block
  - Separate Interconnecting Cable (2 Core 0.75mm<sup>2</sup> connected to U1 and U2 Terminals)



### Example of installed Inline Fuse below.

