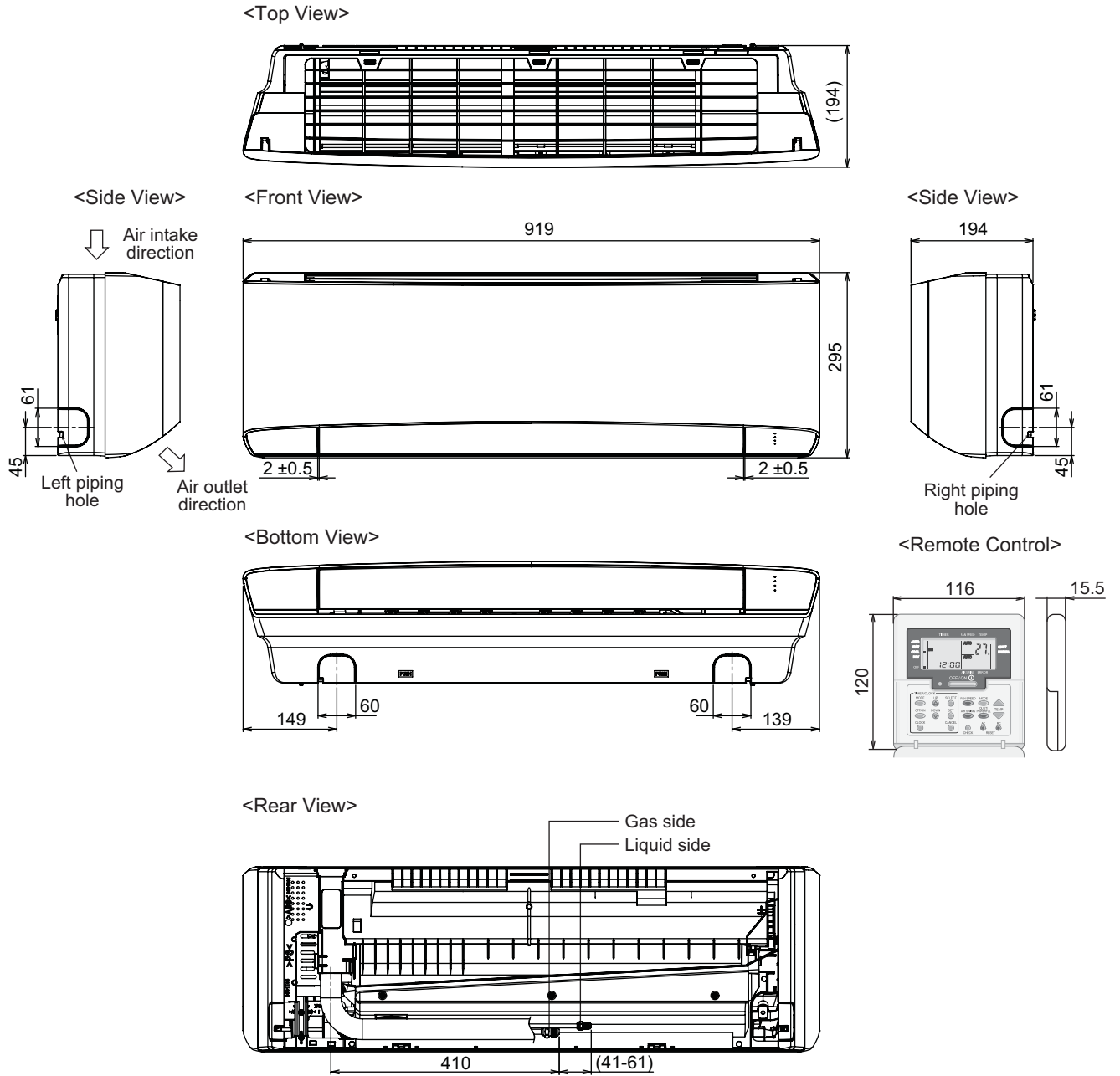


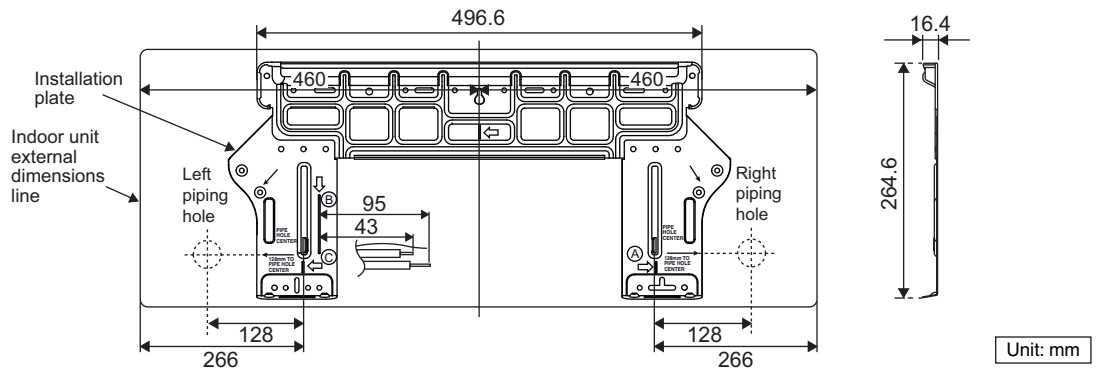
6. Dimensions

6.1 Indoor Unit

6.1.1 CS-Z25TKEA CS-Z35TKEA

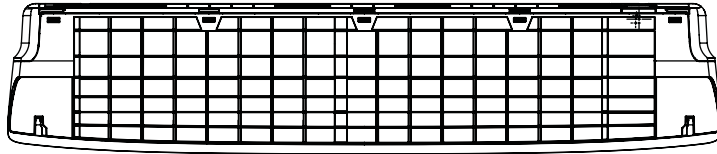


Relative position between the indoor unit and the installation plate <Front View>

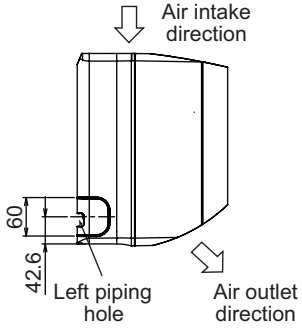


6.1.2 CS-Z42TKEA CS-Z50TKEA CS-Z71TKEA

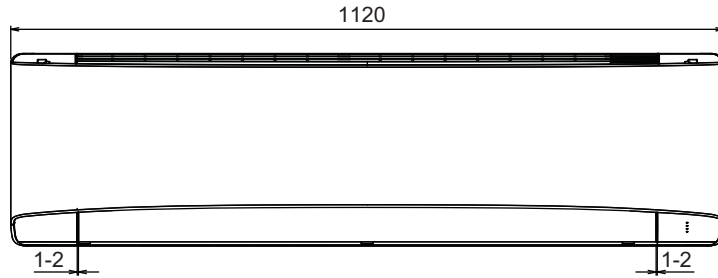
<Top View>



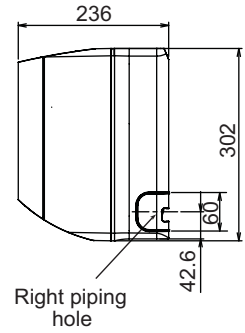
<Side View>



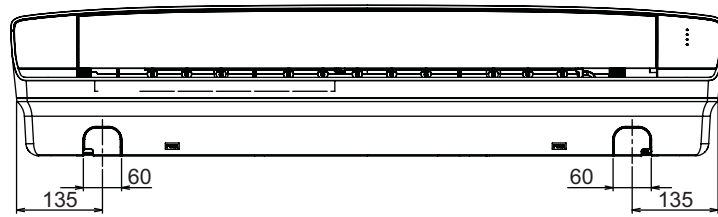
<Front View>



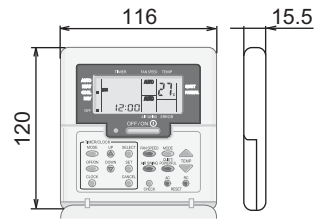
<Side View>



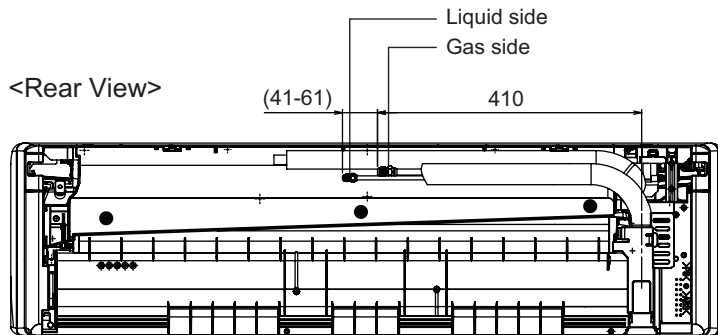
<Bottom View>



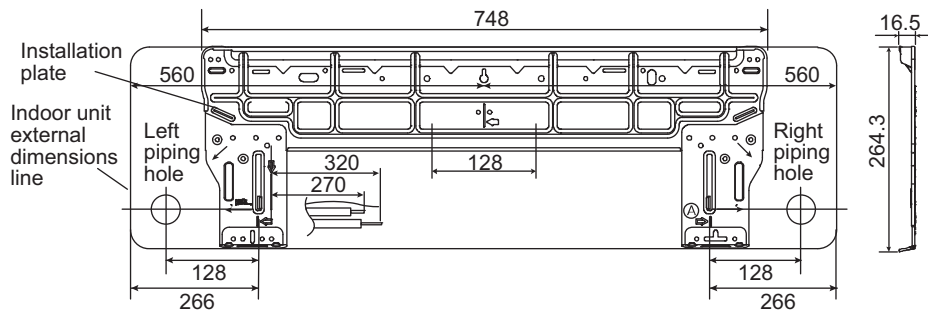
<Remote Control>



<Rear View>



Relative position between the indoor unit and the installation plate <Front View>



Unit: mm