

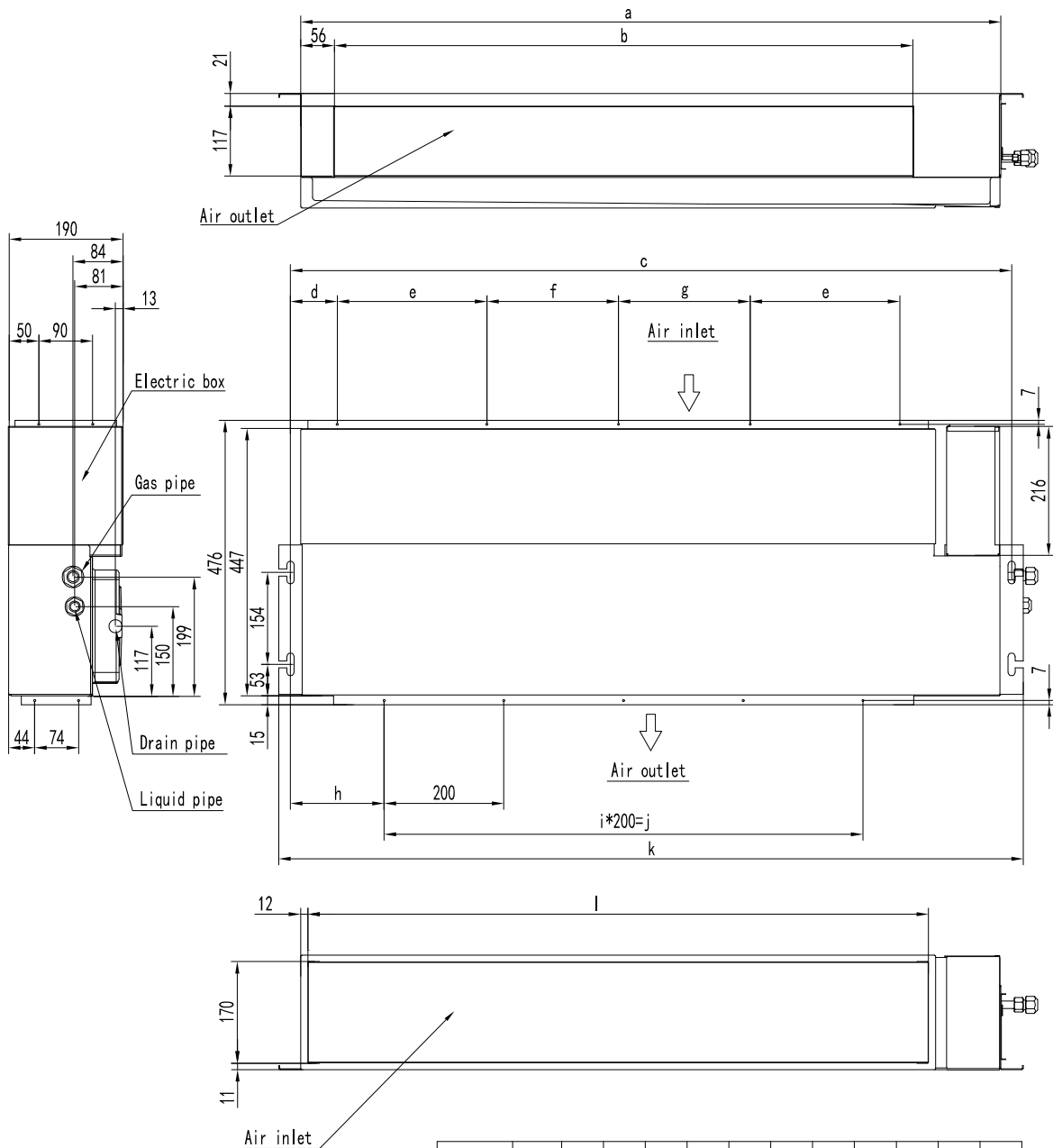
### 3. OUTLINES AND DIMENSIONS

#### 3. Outlines and dimensions

##### 3.1 Indoor units

Ducted

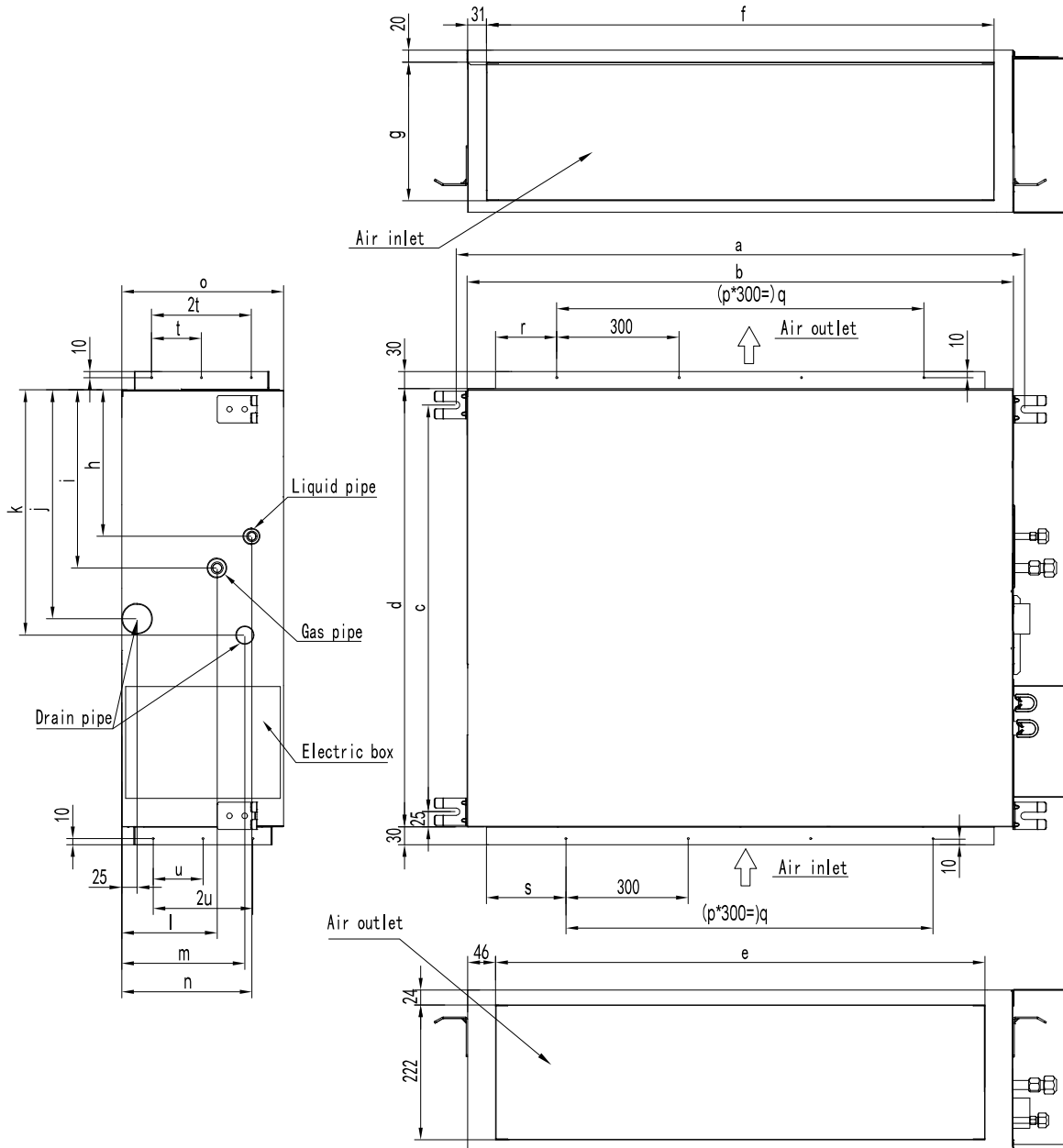
Unit: mm



Model	a	b	c	d	e	f	g	h	i	j	k	l
2.0HP	1170	971	1207	78	250	220	220	157	4	800	1246	1039
1.0/1.5HP	900	701	937	73	240	200	0	122	3	600	976	769

### 3. OUTLINES AND DIMENSIONS

Unit: mm



Model	a	b	c	d	e	f	g	h	i	j	k	l	m	n	o	p	q	r	s	t	u
3.0HP	934	900	669	720	805	835	228	242	294	378	405	156	202	214	270	2	600	102	117	82	82
4.0/5.0/ 6.0/6.5HP	1334	1300	756	800	1205	1235	308	237	312	375	400	204	186	242	350	3	900	153	168	90	140