

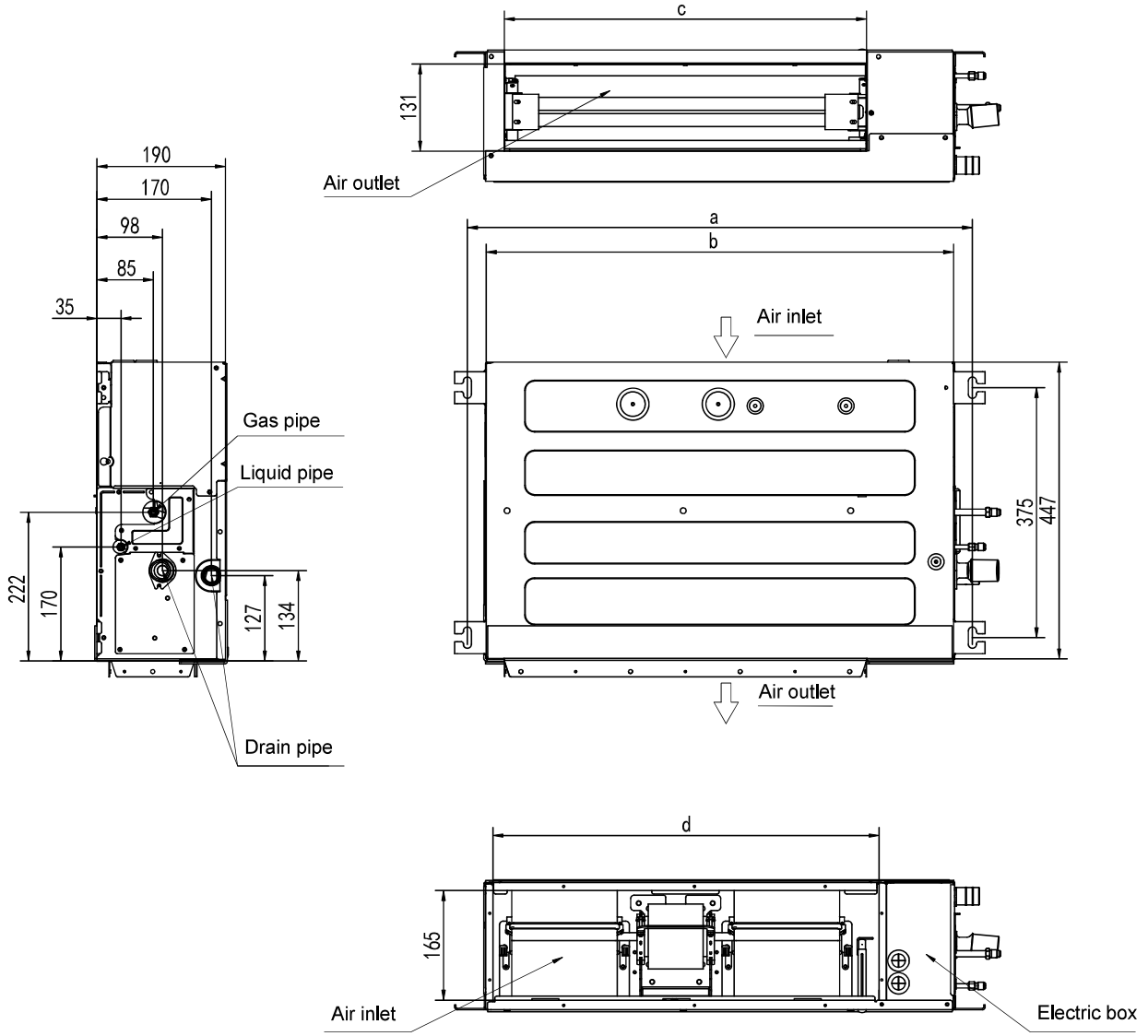
3. OUTLINES AND DIMENSIONS

3.1 Indoor units

Ducted

3.0HP

Unit: mm

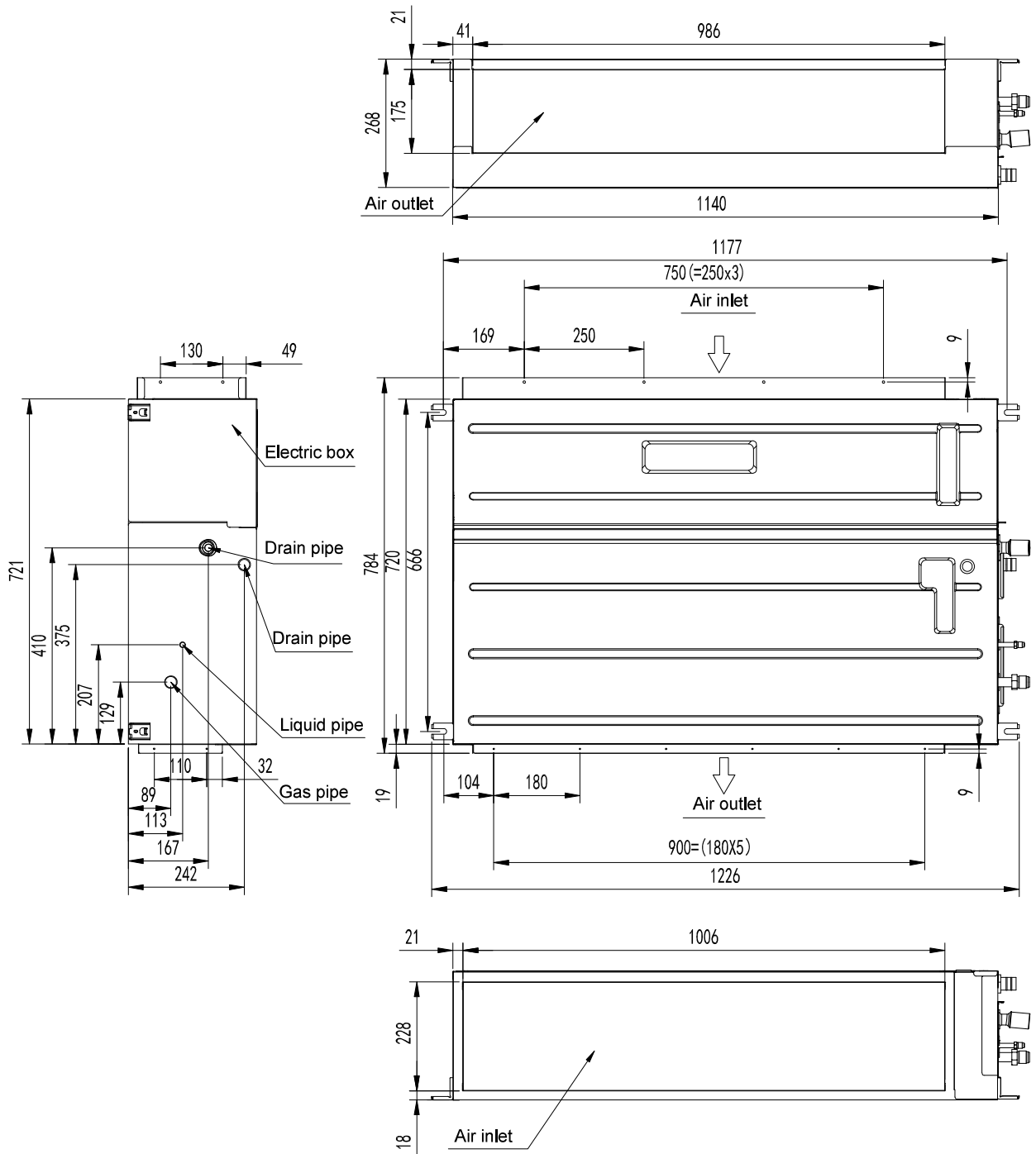


Model	a	b	c	d
3.0HP	1231	1180	1019	1056

3. OUTLINES AND DIMENSIONS

3.5/4.0HP

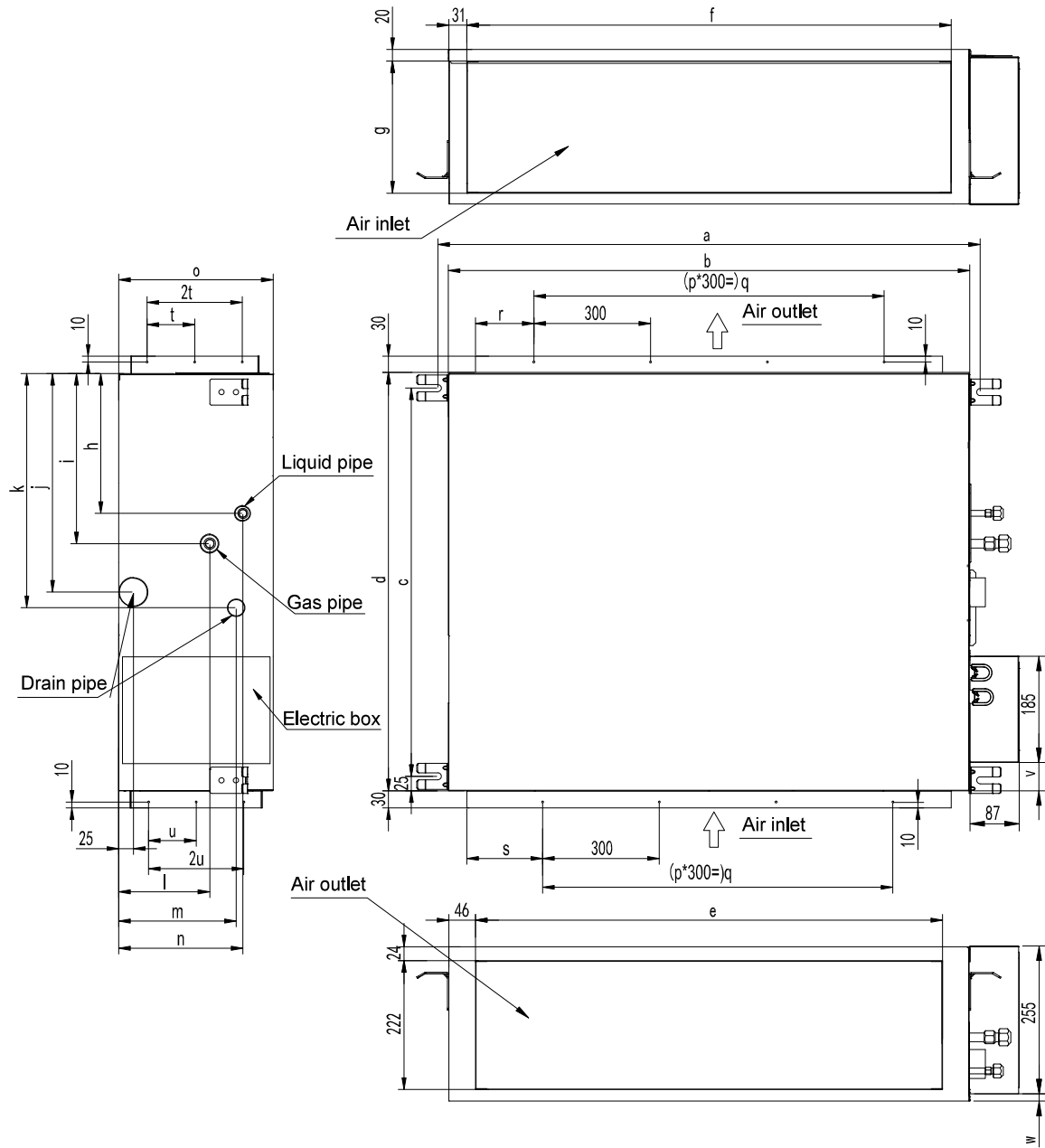
Unit: mm



3. OUTLINES AND DIMENSIONS

5.0/6.0/6.5HP

Unit: mm



Model	a	b	c	d	e	f	g	h	i	j	k	l	m	n	o	p	q	r	s	t	u	v	w
5.0/6.0/ 6.5HP	1334	1300	756	800	1205	1235	308	237	312	375	400	204	186	242	350	3	900	153	168	90	140	110	49