

## Product Information

**PCA-M R32 Power Inverter Heat Pump**  
Ceiling Suspended System  
(Single Phase)

Making a  
World of  
Difference

Mr.SUM™



The PCA-M Power Inverter range is a ceiling suspended system that blends a host of outstanding features with a sophisticated streamlined design. Offering high seasonal efficiency, advanced control options and extended pipe runs, this range is extremely flexible and utilises low GWP R32 refrigerant.

### Key Features

- Stylish design for direct ceiling suspension
- Flush to wall installation for concealment of service connections
- High / Low ceiling height modes
- Improved airflow control, including automatic air speed adjustment for greater comfort
- Highly energy efficient operation, utilising low GWP R32 refrigerant
- Quiet operation with industry leading low noise levels
- Full heating capacity down to -3°C
- 100m pipe run (Size 100-140)
- Replace Technology available



# Air Conditioning

## Product Information

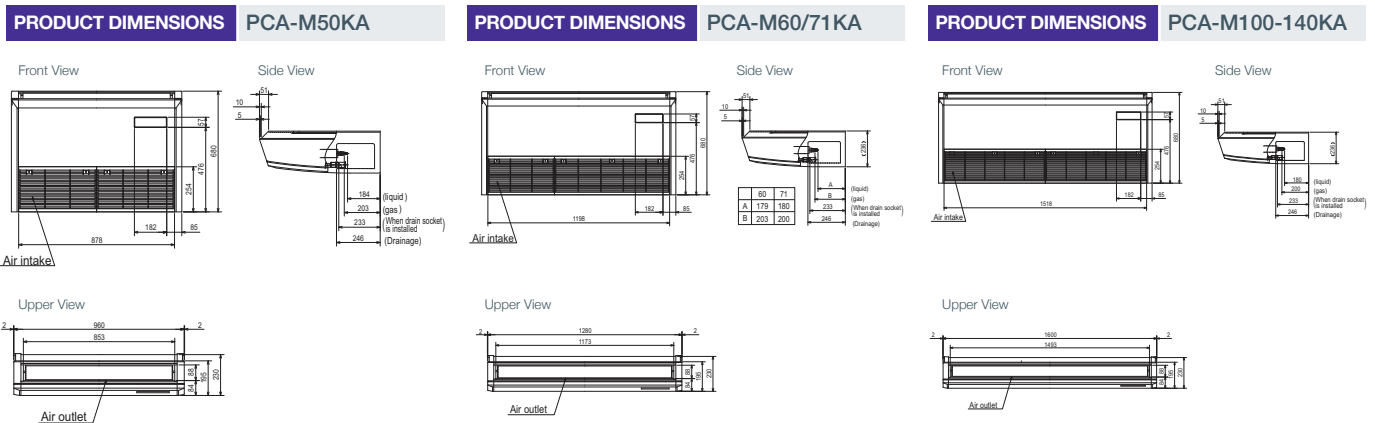
### PCA-M R32 Power Inverter Heat Pump Ceiling Suspended System (Single Phase)

Making a  
World of  
Difference



PCA-M - INDOOR UNITS		PCA-M50KA	PCA-M60KA	PCA-M71KA	PCA-M100KA	PCA-M125KA	PCA-M140KA
CAPACITY (kW)	Heating (nominal) Cooling (nominal)	5.5 (2.5-6.6) 5.0 (2.3-5.6)	7.0 (2.8-8.2) 6.1 (2.7-6.7)	8.0 (3.5-10.2) 7.1 (3.3-8.1)	11.2 (4.5-14.0) 9.5 (4.9-11.4)	14.0 (5.0-16.0) 12.5 (5.5-14.0)	16.0 (5.7-18.0) 13.4 (6.2-15.0)
COP / EER (nominal)		4.04 / 4.00	4.01 / 4.01	3.71 / 3.88	3.71 / 4.10	3.54 / 3.25	3.61 / 3.40
SCOP / SEER (BS EN14825)		4.2 / 6.7	4.1 / 6.5	4.2 / 6.7	4.3 / 6.4	4.3 / 6.2	4.4 / 6.2
ERP ENERGY EFFICIENCY CLASS	Heating/Cooling	A+ / A++	A+ / A++	A+ / A++	A+ / A++	A+ / A++	A+ / A++
AIRFLOW (l/s)	Lo-Mi1-Mi2-Hi	167-183-217-250	250-267-283-317	267-283-300-333	367-400-433-467	383-417-450-483	400-433-483-533
PIPE SIZE MM (in)	Gas/Liquid	12.7 (1/2") / 6.35 (1/4")	15.88 (5/8") / 9.52 (3/8")	15.88 (5/8") / 9.52 (3/8")	15.88 (5/8") / 9.52 (3/8")	15.88 (5/8") / 9.52 (3/8")	15.88 (5/8") / 9.52 (3/8")
SOUND PRESSURE LEVEL (dBA)	Lo-Mi1-Mi2-Hi	32-34-37-40	33-35-37-40	35-37-39-41	37-39-41-43	39-41-43-45	41-43-45-48
SOUND POWER LEVEL (dBA)		60	60	62	63	65	68
DIMENSIONS (mm)	Width x Depth x Height	960 x 680 x 230	1280 x 680 x 230	1280 x 680 x 230	1600 x 680 x 230	1600 x 680 x 230	1600 x 680 x 230
WEIGHT (kg)		26	32	32	37	38	40
ELECTRICAL SUPPLY		Fed by Outdoor Unit	Fed by Outdoor Unit	Fed by Outdoor Unit	Fed by Outdoor Unit	Fed by Outdoor Unit	Fed by Outdoor Unit
FUSE RATING (BS88) - HRC (A)		6	6	6	6	6	6
INTERCONNECTING CABLE	No. Cores	4	4	4	4	4	4

PUZ-ZM - OUTDOOR UNITS		PUZ-ZM50VKA	PUZ-ZM60VHA	PUZ-ZM71VHA	PUZ-ZM100VKA	PUZ-ZM125VKA	PUZ-ZM140VKA
SOUND PRESSURE LEVEL (dBA)	Heating/Cooling	46 / 44	49 / 47	49 / 47	51 / 49	52 / 50	52 / 50
SOUND POWER LEVEL (dBA)	Cooling	65	67	67	69	70	70
WEIGHT (kg)		46	70	70	116	116	118
DIMENSIONS (mm)	Width x Depth x Height	809 x 300 x 630	950 x 330 + 25 x 943	950 x 330 + 25 x 943	1050 x 330 + 40 x 1338	1050 x 330 + 40 x 1338	1050 x 330 + 40 x 1338
ELECTRICAL SUPPLY		220-240v, 50Hz	220-240v, 50Hz	220-240v, 50Hz	220-240v, 50Hz	220-240v, 50Hz	220-240v, 50Hz
PHASE		Single	Single	Single	Single	Single	Single
SYSTEM POWER INPUT (kW)	Heating/Cooling (nominal)	1.361 / 1.25	1.745 / 1.521	2.156 / 1.829	3.018 / 2.317	3.954 / 3.846	4.432 / 3.941
FUSE RATING (BS88) - HRC (A)		16	25	25	32	32	40
MAINS CABLE NO. CORES		3	3	3	3	3	3
MAX PIPE LENGTH (m)		50	55	55	100	100	100
MAX HEIGHT DIFFERENCE (m)		30	30	30	30	30	30
CHARGE REFRIGERANT (kg) / CO <sub>2</sub> EQUIVALENT (t)	R32 (GWP 675) - 30m	2.00 / 1.35	2.80 / 1.89	2.80 / 1.89	4.00 / 2.70	4.00 / 2.70	4.00 / 2.70
MAX ADDITIONAL REFRIGERANT (kg) / CO <sub>2</sub> EQUIVALENT (t)	R32 (GWP 675)	0.30 / 0.20	0.80 / 0.54	0.80 / 0.54	2.80 / 1.89	2.80 / 1.89	2.80 / 1.89



Telephone: 01707 282880  
email: [air.conditioning@meuk.mee.com](mailto:air.conditioning@meuk.mee.com)  
web: [airconditioning.mitsubishielectric.co.uk](http://airconditioning.mitsubishielectric.co.uk) microsite: [timeforR32.co.uk](http://timeforR32.co.uk)

UNITED KINGDOM Mitsubishi Electric Europe Living Environment Systems Division  
Travellers Lane, Hatfield, Hertfordshire, AL10 8XB, England General Enquiries Telephone: 01707 282880 Fax: 01707 278881

IRELAND Mitsubishi Electric Europe Westgate Business Park, Ballymount, Dublin 24, Ireland  
Telephone: Dublin (01) 419 8800 Fax: Dublin (01) 419 8890 International code: (003531)

Country of origin: United Kingdom - Japan - Thailand - Malaysia. ©Mitsubishi Electric Europe 2017. Mitsubishi and Mitsubishi Electric are trademarks of Mitsubishi Electric Europe B.V. The company reserves the right to make any variation in technical specification to the equipment described, or to withdraw or replace products without prior notification or public announcement. Mitsubishi Electric is constantly developing and improving its products. All descriptions, illustrations, drawings and specifications in this publication present only general particulars and shall not form part of any contract. All goods are supplied subject to the Company's General Conditions of Sale, a copy of which is available on request. Third-party product and brand names may be trademarks or registered trademarks of their respective owners.

**Note:** The fuse rating is for guidance only. Please refer to the relevant databook for detailed specification. It is the responsibility of a qualified electrician/electrical engineer to select the correct cable size and fuse rating based on current regulation and site specific conditions. Mitsubishi Electric's air conditioning equipment and heat pump systems contain a fluorinated greenhouse gas, R410A (GWP:2088), R32 (GWP:675), R407C (GWP:1774) or R134a (GWP:1430). \*These GWP values are based on Regulation(EU) No 517/2014 from IPCC 4th edition. In case of Regulation(EU) No.626/2011 from IPCC 3rd edition, these are as follows. R410A (GWP:1975), R32 (GWP: 550), R407C (GWP:1650) or R134a (GWP:1300).



[www.greengateway.mitsubishielectric.co.uk](http://www.greengateway.mitsubishielectric.co.uk)  
Mitsubishi Electric UK's commitment to the environment

Follow us @meuk\_Jes  
Follow us @green\_gateway

Mitsubishi Electric  
Living Environmental Systems UK

[mitsubishielectric2](https://www.youtube.com/channel/UCm5b1h1h1h1h1h1h1h1h1h1)

Effective as of May 2017