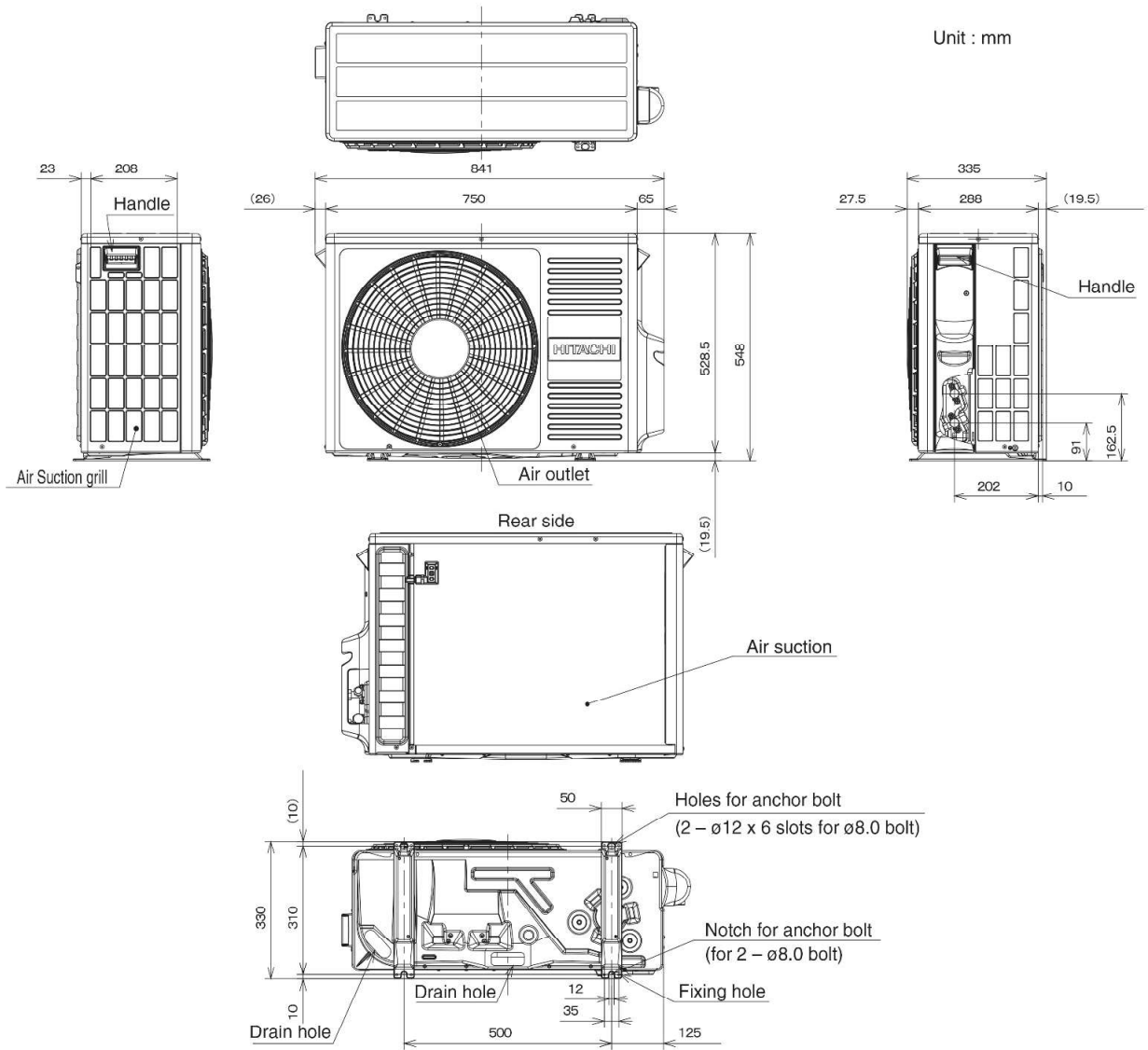
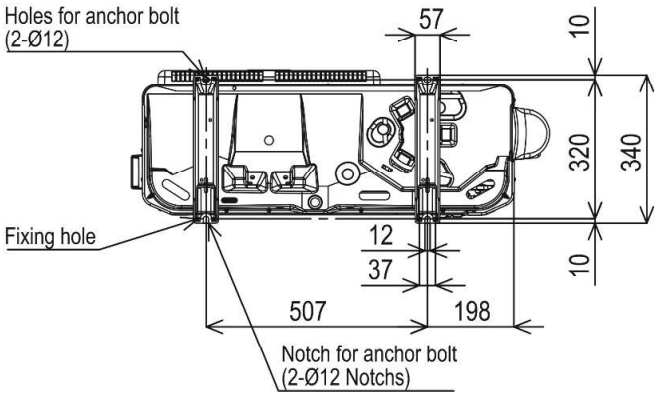
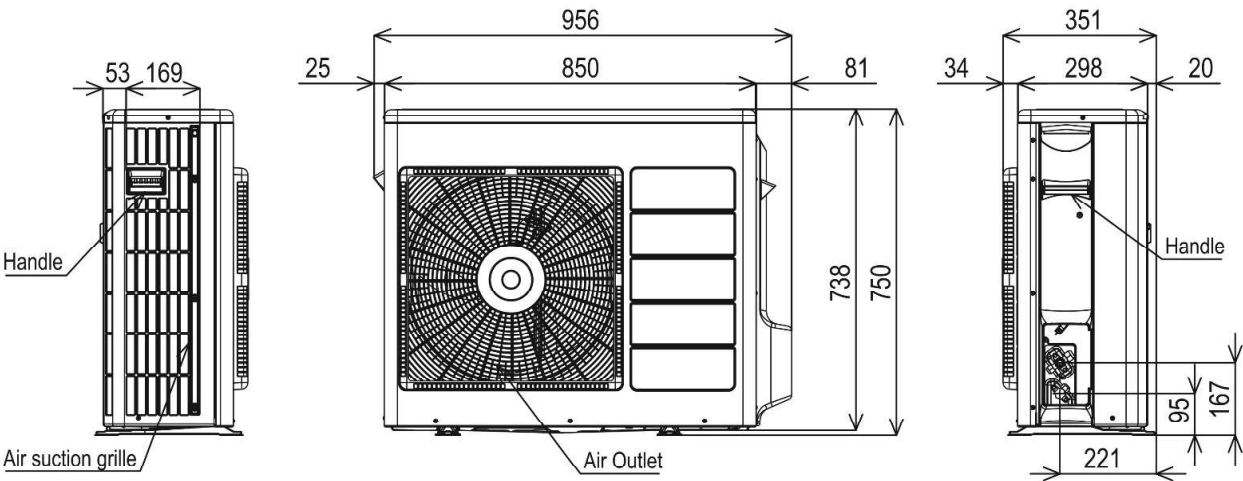


2.6. OUTDOOR: RAC-25NPE, RAC-35NPE



2.7. OUTDOOR: RAC-50NPE, RAC-60NPE



Unit : mm