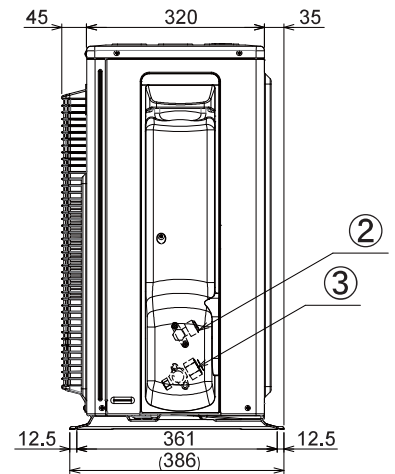
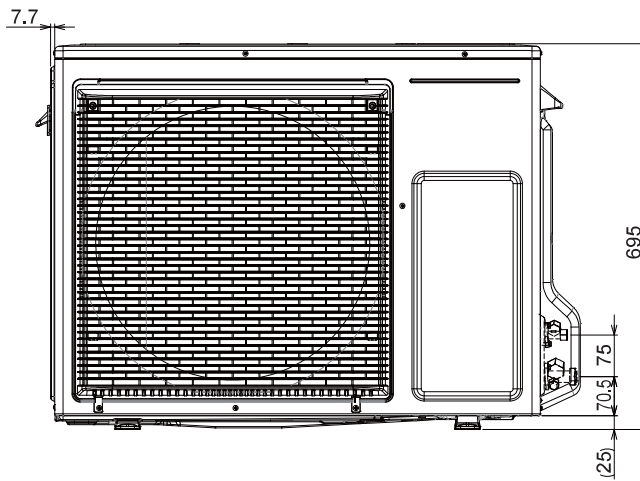
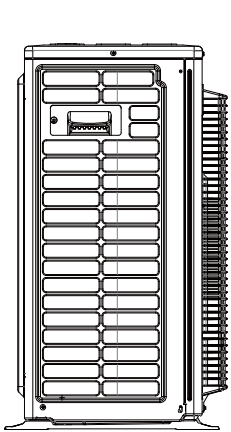
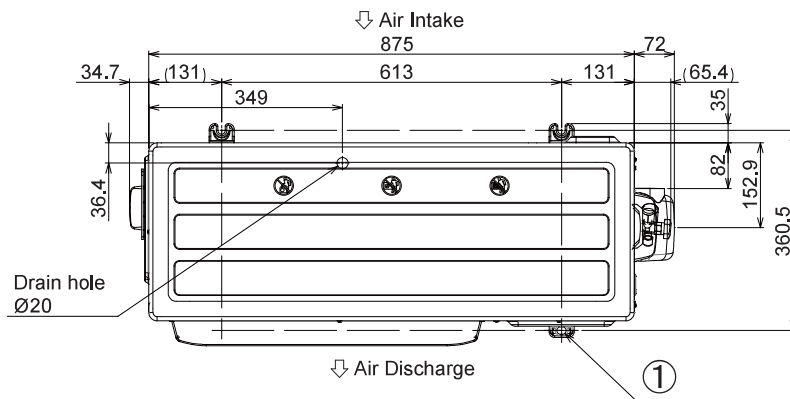


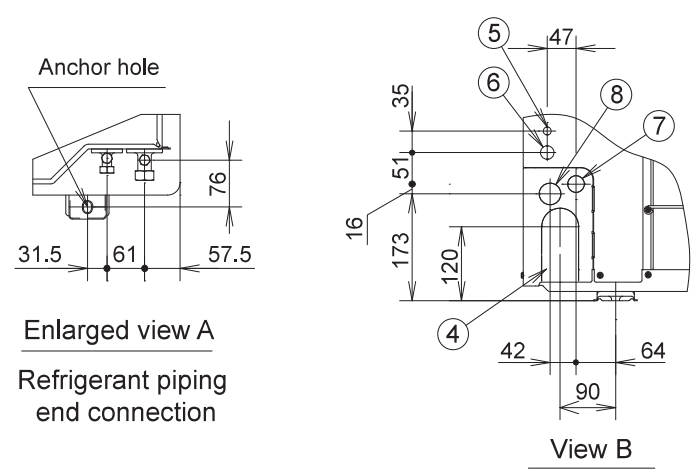
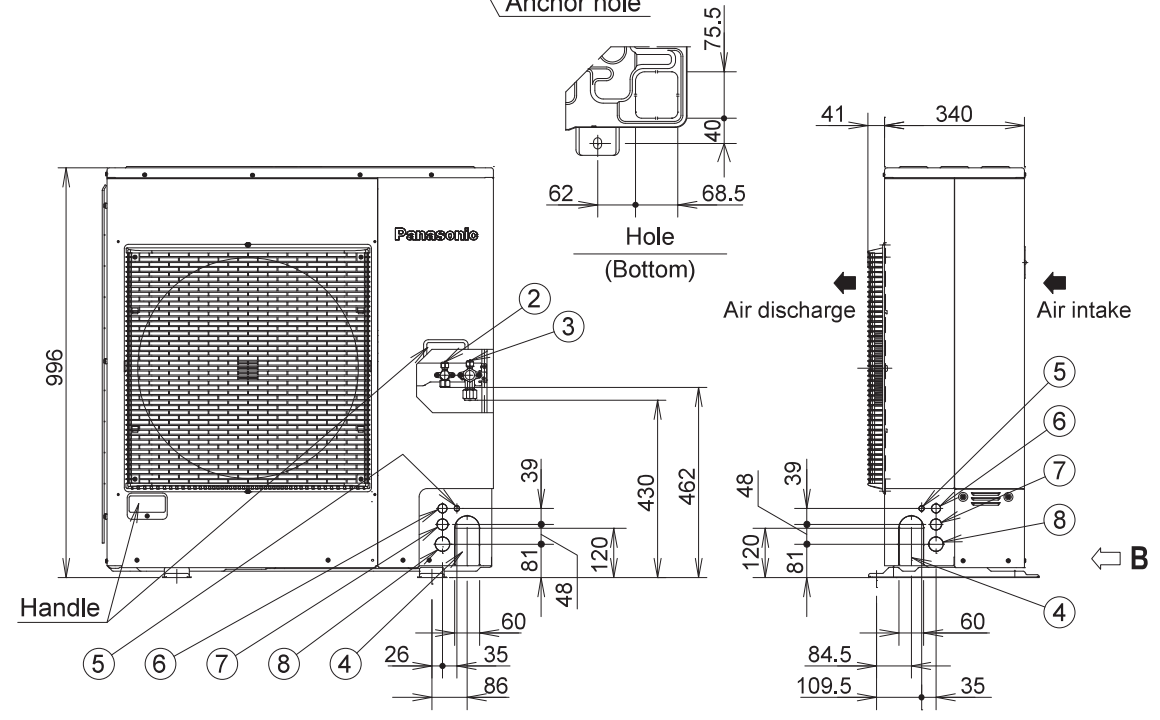
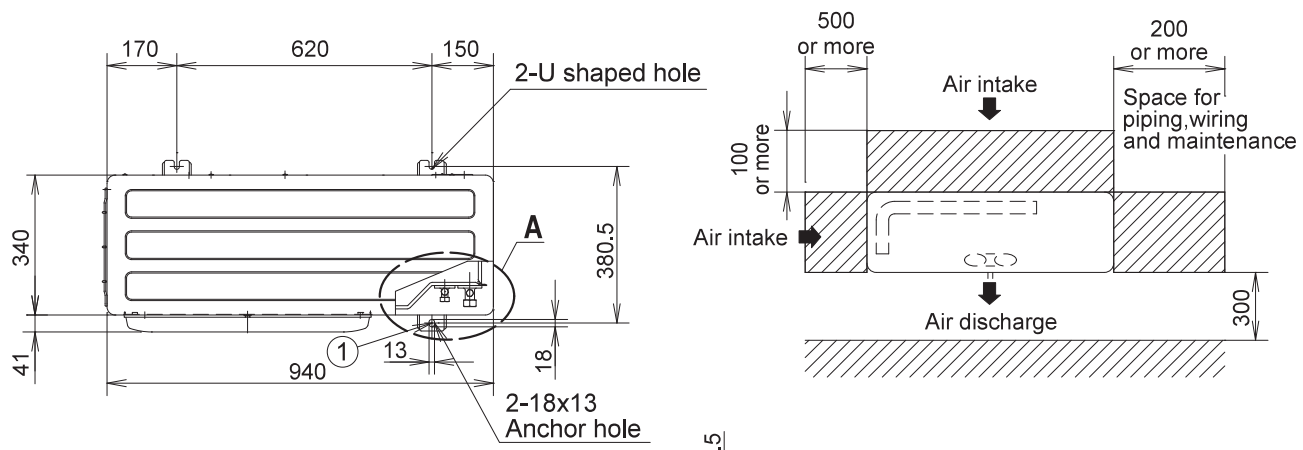
## 1-2-2-2. PZH3 U-36PZH3E5, U-50PZH3E5, U-60PZH3E5

①	Mounting hole (4-R6.5), anchor bolt : M10
②	Refrigerant tubing (liquid tube), flared connection (Ø 6.35)
③	Refrigerant tubing (gas tube), flared connection (Ø 12.7)



1-2-2-2. PZH3 U-71PZH3E5  
U-71PZH3E8

Unit:mm



Enlarged view A  
Refrigerant piping  
end connection

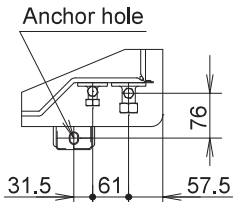
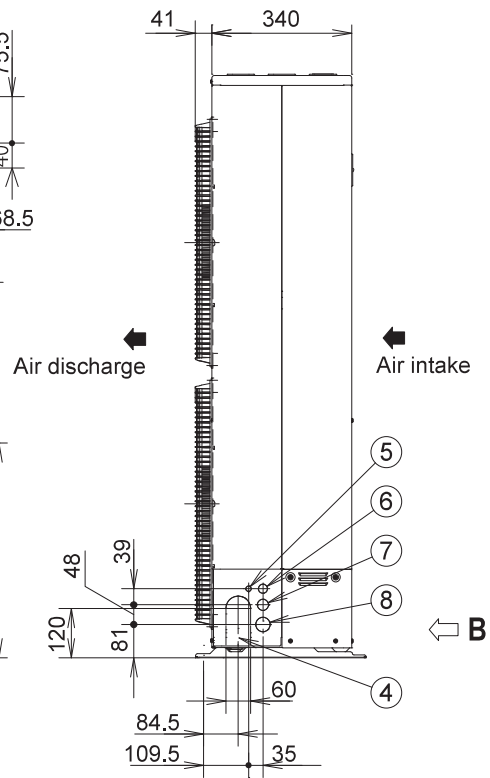
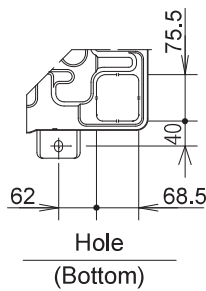
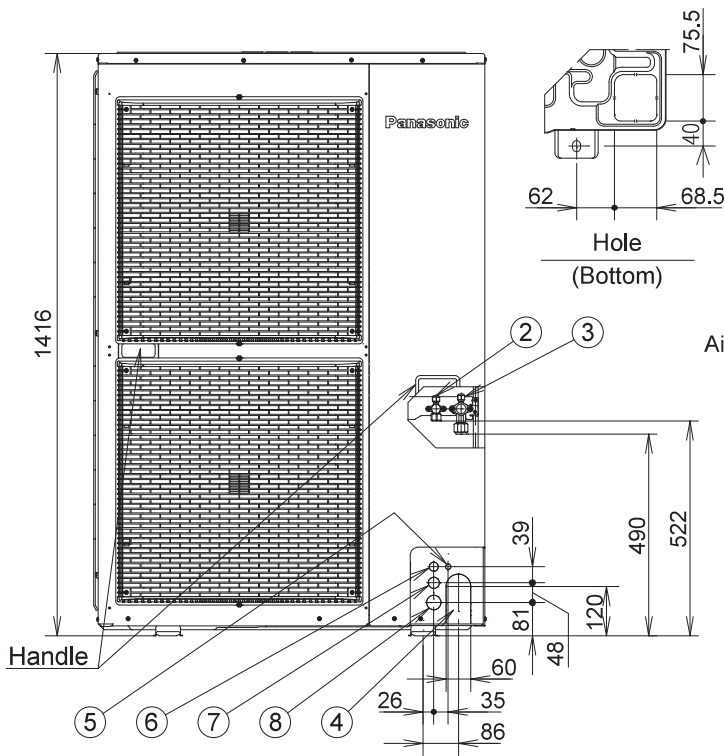
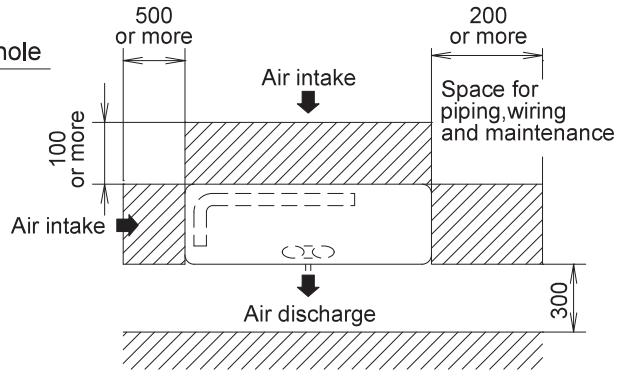
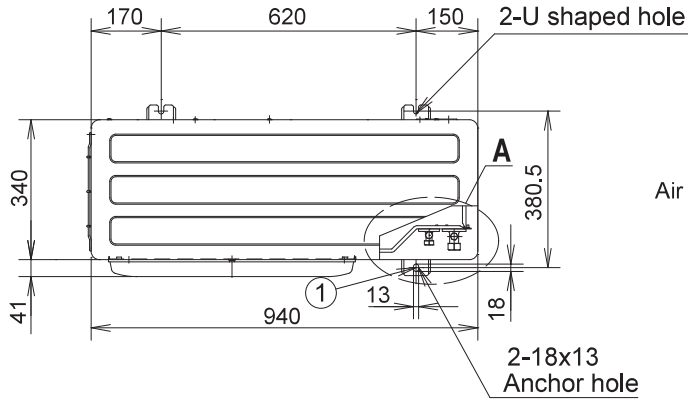
View B

unit: mm

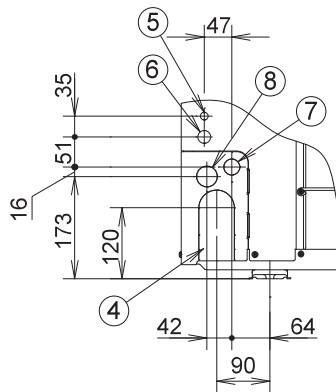
①	Mounting hole, anchor bolt:M10
②	Refrigerant piping (liquid pipe), flared connection (ø9.52)
③	Refrigerant piping (gas pipe), flared connection (ø15.88)
④	Refrigerant piping hole
⑤	Electrical wiring port (ø13)
⑥	Electrical wiring port (ø22)
⑦	Electrical wiring port (ø27)
⑧	Electrical wiring port (ø35)

1-2-2-2. PZH3 U-100PZH3E5, U-125PZH3E5, U-140PZH3E5  
U-100PZH3E8, U-125PZH3E8, U-140PZH3E8

unit: mm



Enlarged view A  
Refrigerant piping  
end connection



View B

unit: mm

①	Mounting hole, anchor bolt:M10
②	Refrigerant piping(liquid pipe), flared connection (ø9.52)
③	Refrigerant piping(gas pipe), flared connection (ø15.88)
④	Refrigerant piping hole
⑤	Electrical wiring port (ø13)
⑥	Electrical wiring port (ø22)
⑦	Electrical wiring port (ø27)
⑧	Electrical wiring port (ø35)