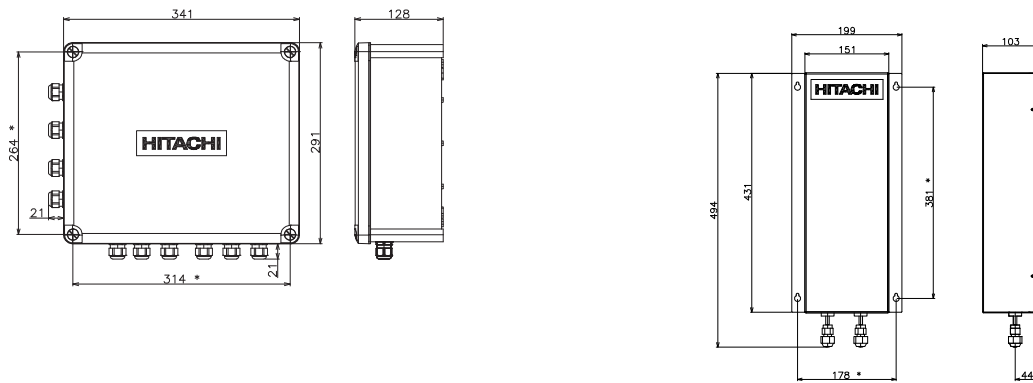


7.1.12 DX-Interface

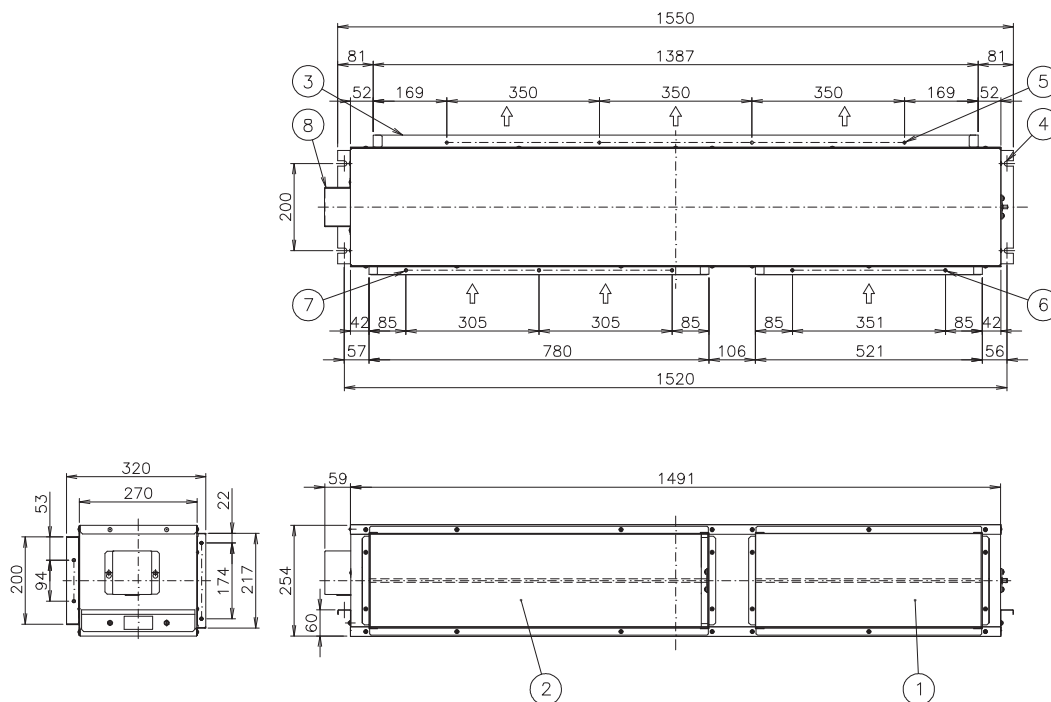


(*) For installation.

All measurements are in mm.

7.1.13 Econofresh Kit

◆ Econofresh kit EF-456N1E



All measurements are in mm.

Number	Description	Remarks
1	Air inlet	Outdoor air
2	Air inlet	Return air
3	Air outlet	
4	Holes for suspension bolt	(4x) $\varnothing 12$
5	Holes for unit connection	(12x) $\varnothing 7$
6	Holes for outdoor duct connection	(8x) $\varnothing 7$
7	Holes for return duct connection	(10x) $\varnothing 7$
8	Cover protection for motor	