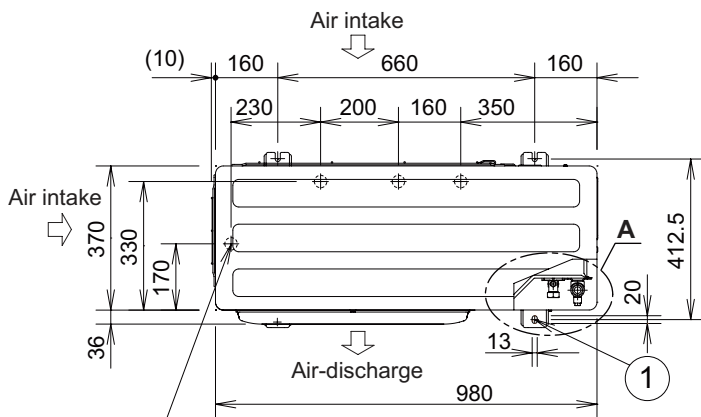
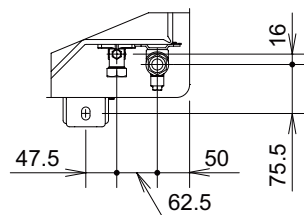
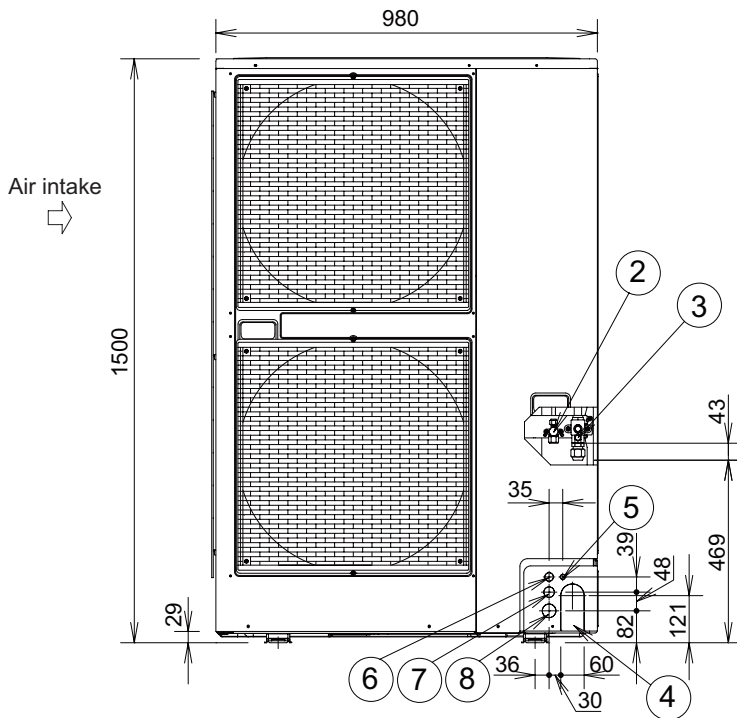


(B) Outdoor Unit: U-200PZH2E8

Unit: mm



4 × ϕ 32 holes (holes for drain)
 When using a drain pipe, install the drain socket (field supply) onto the drain port. Seal the other drain port with the rubber cap.



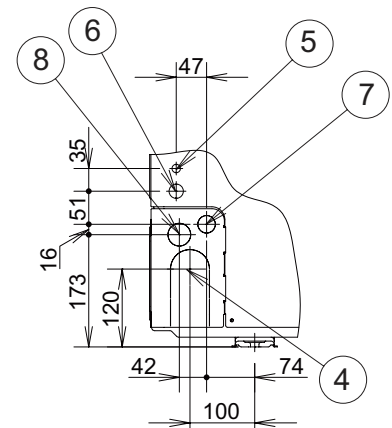
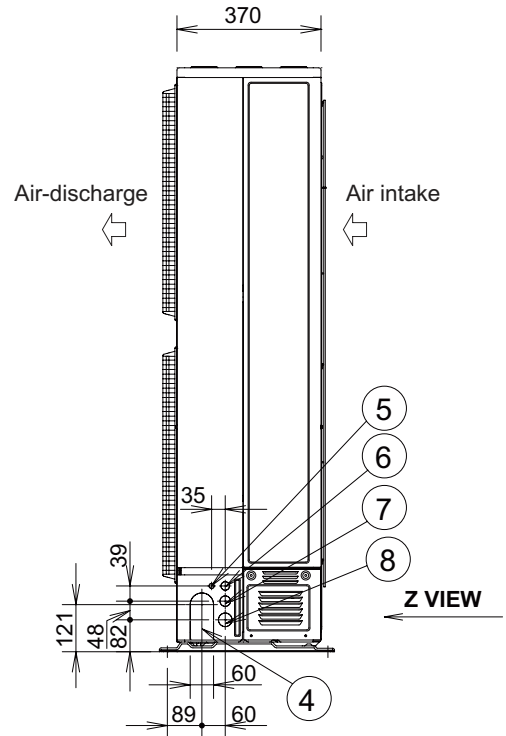
A VIEW

①	Mounting hole (4-R6.5), anchor bolt : M10
②	Refrigerant tubing (liquid tube), flared connection (ϕ 9.52)
③	Refrigerant tubing (gas tube), flared connection (ϕ 19.05) *1
④	Refrigerant tubing port
⑤	Electrical wiring port (ϕ 13)
⑥	Electrical wiring port (ϕ 22)
⑦	Electrical wiring port (ϕ 27)
⑧	Electrical wiring port (ϕ 35)

Specification for pipe connecting indoor unit to outdoor unit

	U-200PZH2E8	
Valve size (Outdoor unit)	Liquid	ϕ 9.52
	Gas	ϕ 19.05 *1
Main tube (Outdoor unit to Indoor unit)	Liquid	ϕ 9.52
	Gas	ϕ 25.4

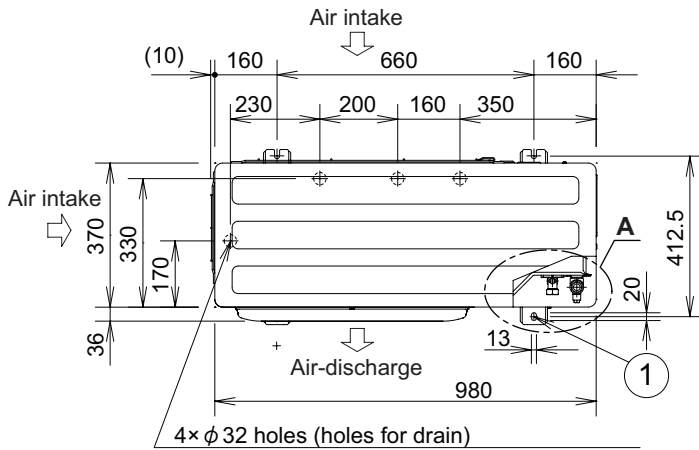
*1 (Gas tubing connection) While the main gas tube is ϕ 25.4, since connecting the outdoor unit's 3-way valve requires a ϕ 19.05 flare, please be sure to use standard accessories joint tubing A for connection (brazing).



Z VIEW

(B) Outdoor Unit: U-250PZH2E8

Unit: mm



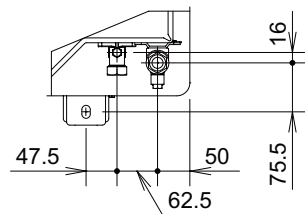
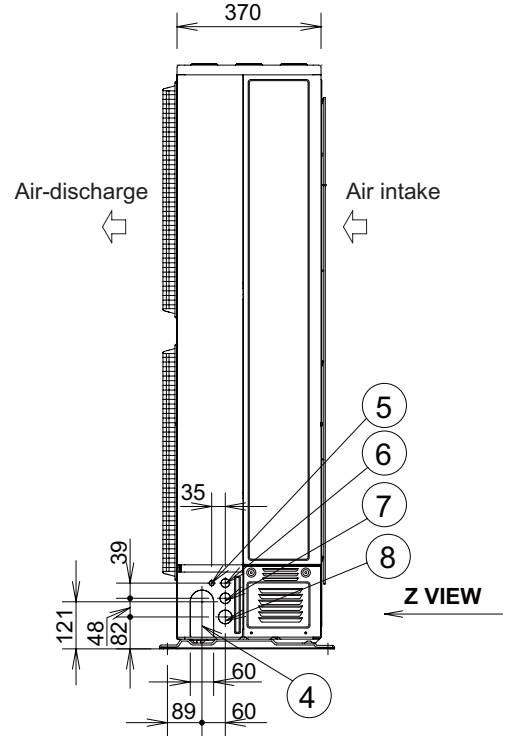
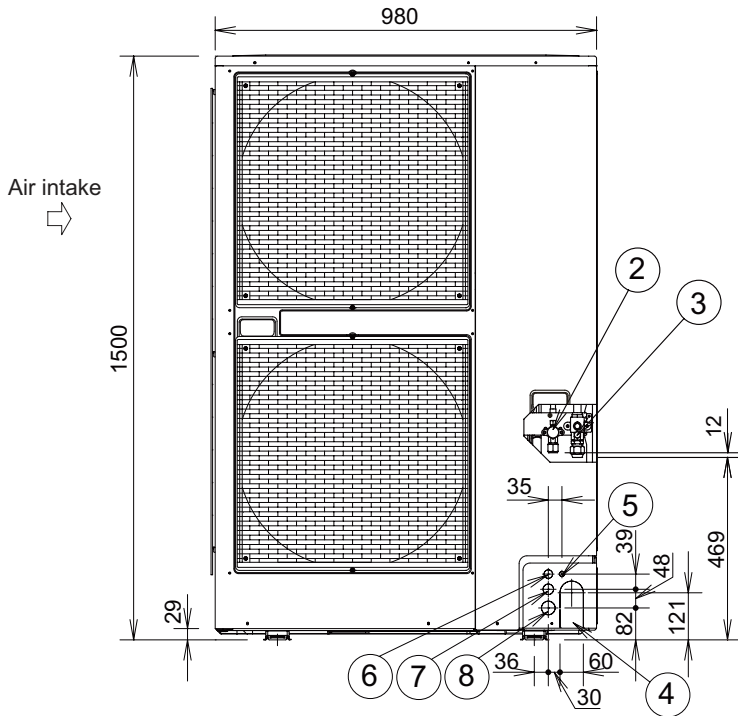
When using a drain pipe, install the drain socket (field supply) onto the drain port. Seal the other drain port with the rubber cap.

①	Mounting hole (4-R6.5), anchor bolt : M10
②	Refrigerant tubing (liquid tube), flared connection (ø12.7)
③	Refrigerant tubing (gas tube), flared connection (ø19.05)*1
④	Refrigerant tubing port
⑤	Electrical wiring port (ø13)
⑥	Electrical wiring port (ø22)
⑦	Electrical wiring port (ø27)
⑧	Electrical wiring port (ø35)

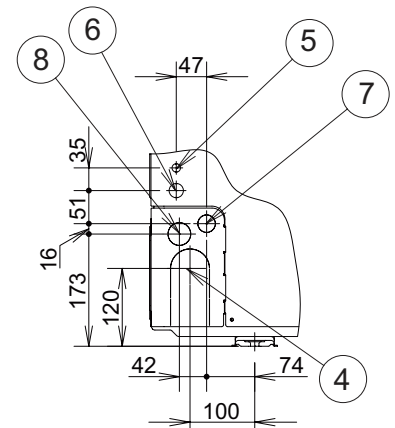
Specification for pipe connecting indoor unit to outdoor unit.

		U-250PZH2E8
Valve size (Outdoor unit)	Liquid	ø12.7
	Gas	ø19.05 *1
Main tube (Outdoor unit to Indoor unit)	Liquid	ø12.7
	Gas	ø25.4

*1 (Gas tubing connection) While the main gas tube is ø25.4, since connecting the outdoor unit's 3-way valve requires a ø19.05 flare, please be sure to use standard accessories joint tubing A for connection (brazing).



A VIEW



Z VIEW