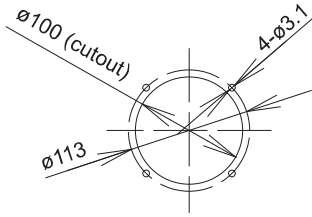


1-2. Dimensional Data

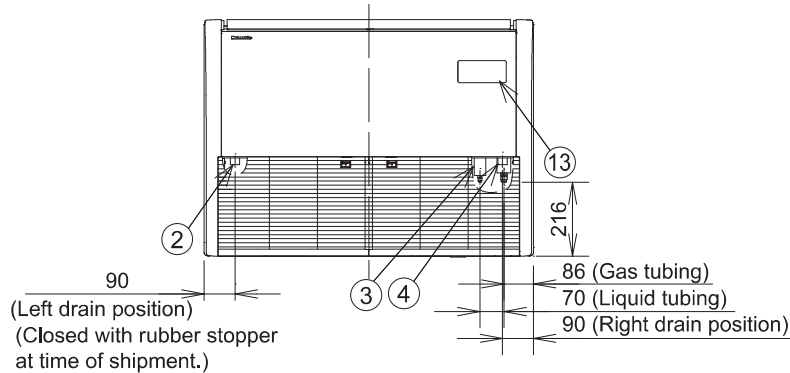
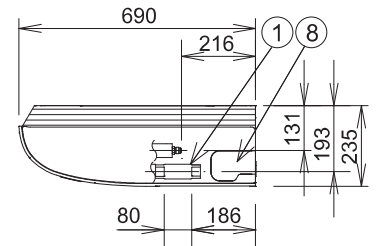
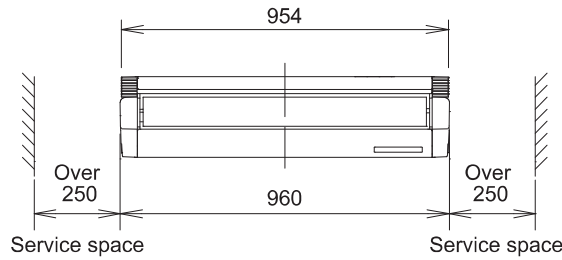
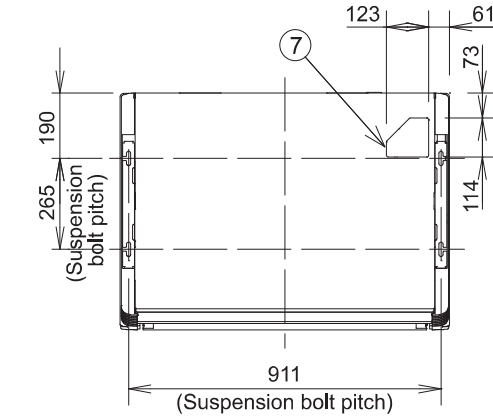
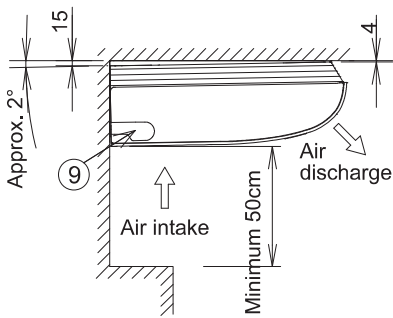
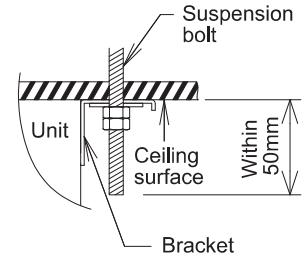
(A) Indoor Units: S-50PT2E5B

unit :mm

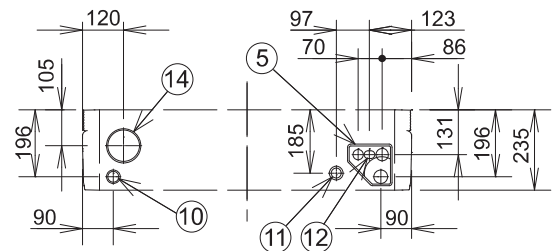
Detailed view of intaking outside air duct connection port



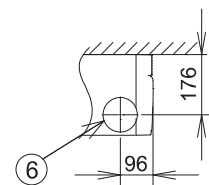
Distance of each exposed bolt must be of equal length within 50mm.



Hole position of indoor unit rear-side
(Figure shows view from front)



Tubing hole position on wall surface
(Figure shows view from front)



①	Drain port VP20 (inside diameter \varnothing 26mm, drain hose supplied)
②	Left drain position
③	Refrigerant liquid tubing (\varnothing 6.35mm, flare connection)
④	Refrigerant gas tubing (\varnothing 12.7mm, flare connection)
⑤	Cover of rear tubing hole
⑥	Tubing hole on wall surface (\varnothing 100mm)
⑦	Upper side tubing port
⑧	Right side drain hose outlet port (cutout)
⑨	Left side drain hose outlet port (cutout)
⑩	Left-rear side drain hose outlet port (cutout)
⑪	Power inlet port
⑫	Remote control wiring and inter-unit wiring inlet port
⑬	Wireless remote controller receiver installation location
⑭	Outside air intake duct connection port (\varnothing 100mm, cutout)

<Filter size>

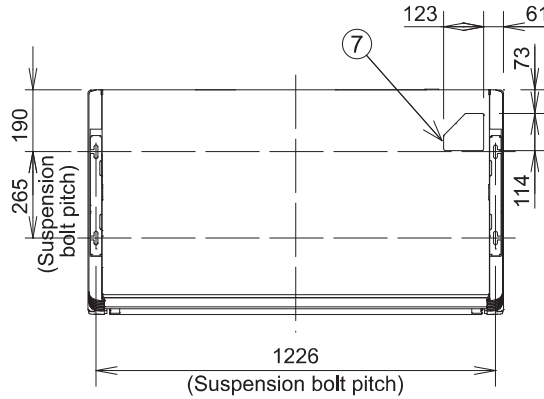
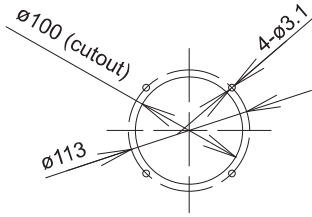
(421 x 250 x 16) x 2 pcs.

1-2. Dimensional Data

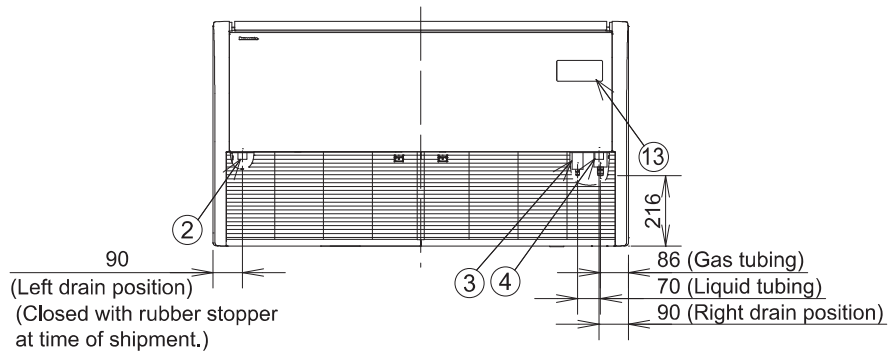
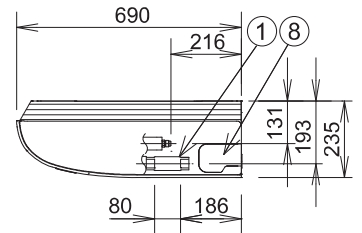
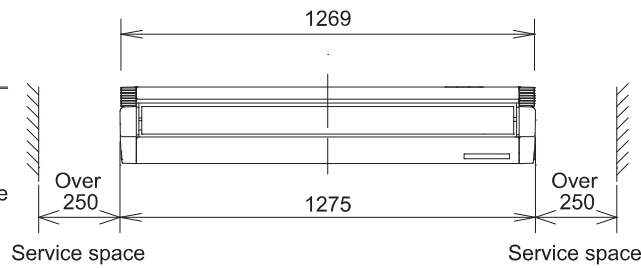
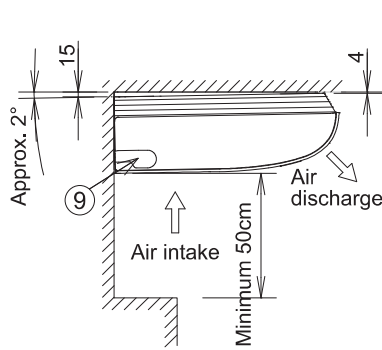
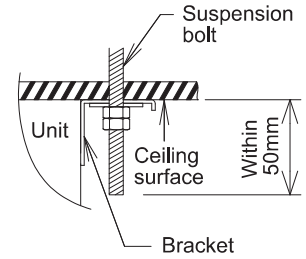
(A) Indoor Units: S-60PT2E5B, S-71PT2E5B

unit :mm

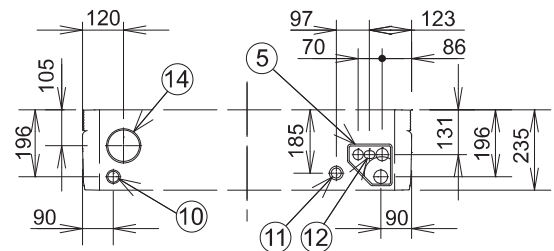
Detailed view of intaking outside air duct connection port



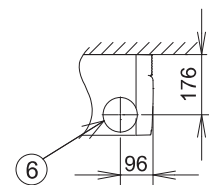
Distance of each exposed bolt must be of equal length within 50mm.



Hole position of indoor unit rear-side (Figure shows view from front)



Tubing hole position on wall surface (Figure shows view from front)



①	Drain port VP20 (inside diameter ϕ 26mm, drain hose supplied)
②	Left drain position
③	Refrigerant liquid tubing (ϕ 9.52mm, flare connection)
④	Refrigerant gas tubing (ϕ 15.88mm, flare connection)
⑤	Cover of rear tubing hole
⑥	Tubing hole on wall surface (ϕ 100mm)
⑦	Upper side tubing port
⑧	Right side drain hose outlet port (cutout)
⑨	Left side drain hose outlet port (cutout)
⑩	Left-rear side drain hose outlet port (cutout)
⑪	Power inlet port
⑫	Remote control wiring and inter-unit wiring inlet port
⑬	Wireless remote controller receiver installation location
⑭	Outside air intake duct connection port (ϕ 100mm, cutout)

<Filter size>

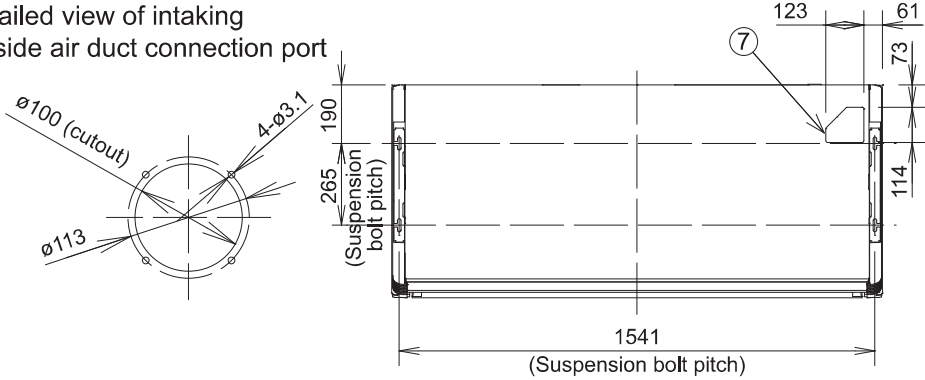
(579 x 250 x 16) x 2 pcs.

1-2. Dimensional Data

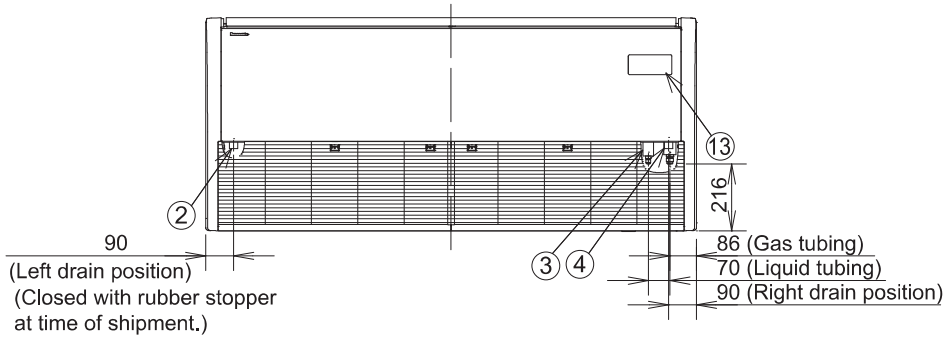
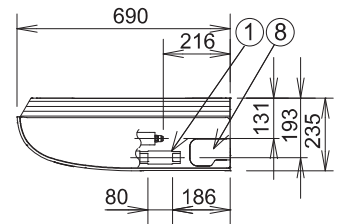
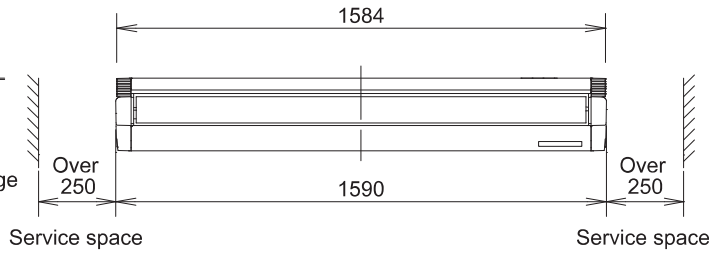
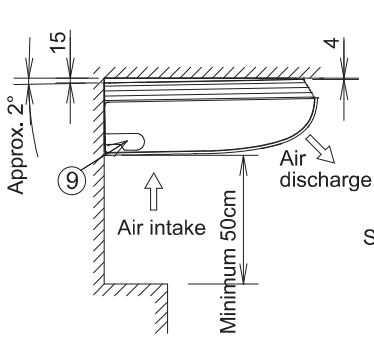
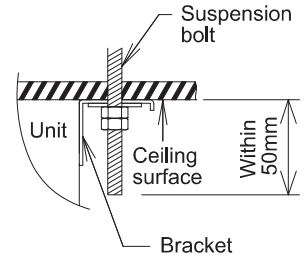
(A) Indoor Units: S-100PT2E5B, S-125PT2E5B, S-140PT2E5B

unit :mm

Detailed view of intaking outside air duct connection port

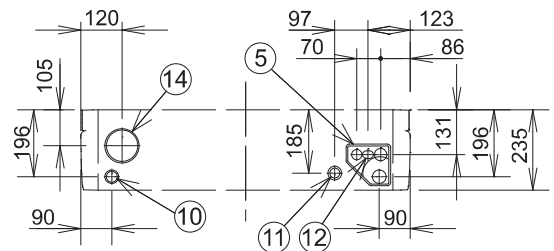


Distance of each exposed bolt must be of equal length within 50mm.

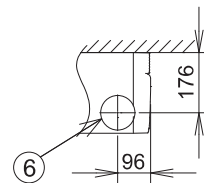


①	Drain port VP20 (inside diameter ϕ 26mm, drain hose supplied)
②	Left drain position
③	Refrigerant liquid tubing (ϕ 9.52mm, flare connection)
④	Refrigerant gas tubing (ϕ 15.88mm, flare connection)
⑤	Cover of rear tubing hole
⑥	Tubing hole on wall surface (ϕ 100mm)
⑦	Upper side tubing port
⑧	Right side drain hose outlet port (cutout)
⑨	Left side drain hose outlet port (cutout)
⑩	Left-rear side drain hose outlet port (cutout)
⑪	Power inlet port
⑫	Remote control wiring and inter-unit wiring inlet port
⑬	Wireless remote controller receiver installation location
⑭	Outside air intake duct connection port (ϕ 100mm, cutout)

Hole position of indoor unit rear-side (Figure shows view from front)



Tubing hole position on wall surface (Figure shows view from front)



<Filter size>

(736 x 250 x 16) x 2 pcs.