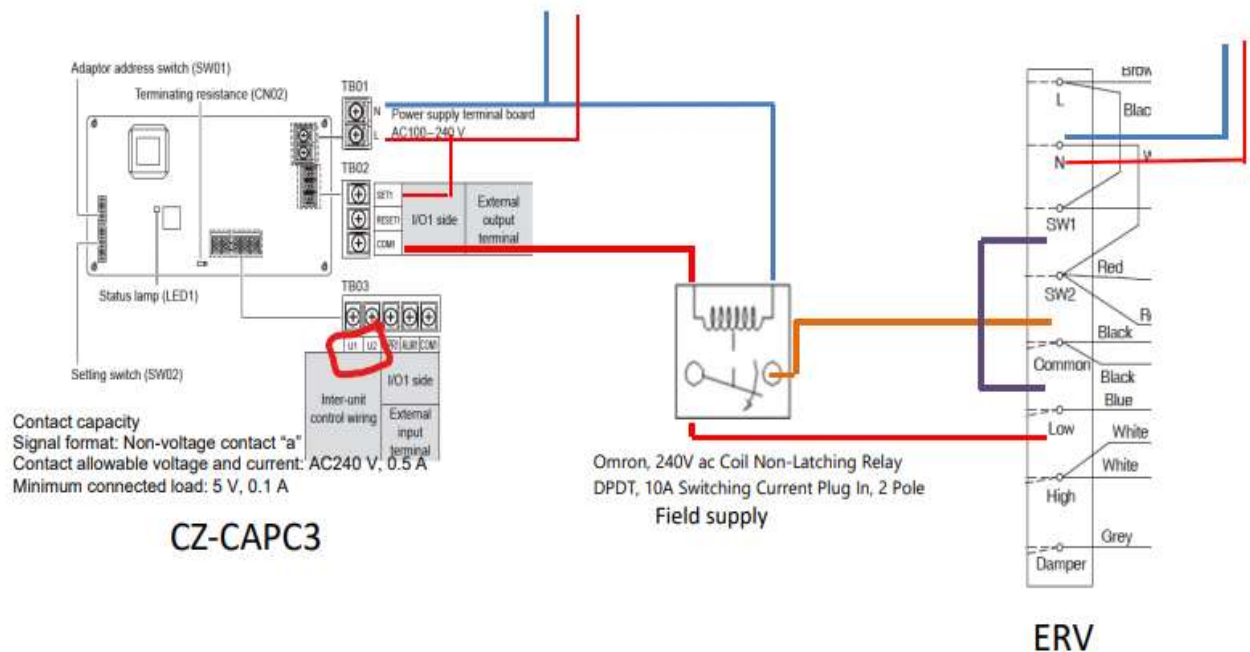


Technical Bulletin

Number	P025
Subject	Panasonic – CZ-CAPC3 with ERV
Date	22 September 2020

The Panasonic CZ-CAPC3 Adaptor requires a relay when connecting to Panasonic ERV Units as it is only rated for 0.5 A. Please see below example of wiring to achieve control of Panasonic ERVs via U1/U2 network:

- The relay switching capacity on the CZ-CAPC3 is rated maximum at 0.5 A. **Only the size 250 is possible to switch directly on low fan speed.**
- On all the rest of the models a relay would be required as explained above.
- Please be advised that the ERV has been designed to switch neutral and **NOT** live.



The above configuration will only switch the ERV to run on low fan speed only. If the high and low speed is required a second CZ-CAPC3 will be required.