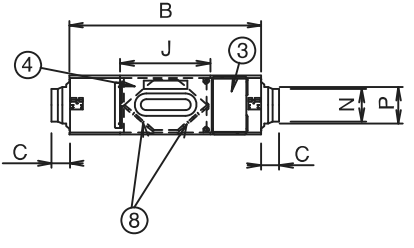
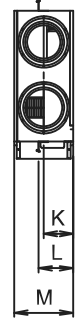
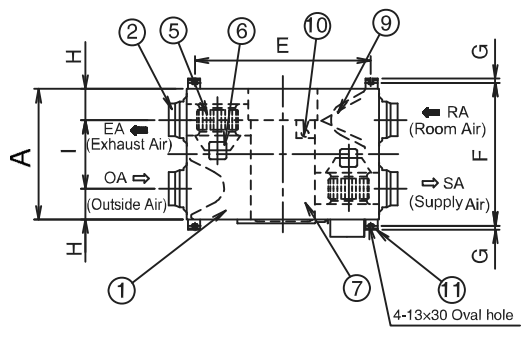


# Name and Dimension of Each Part

Model No. FY-250ZDY8  
FY-350ZDY8  
FY-500ZDY8



Applicable Duct

Model No.	Nominal Diameter
FY-250ZDY8	φ 150
FY-350ZDY8	φ 150
FY-500ZDY8	φ 200

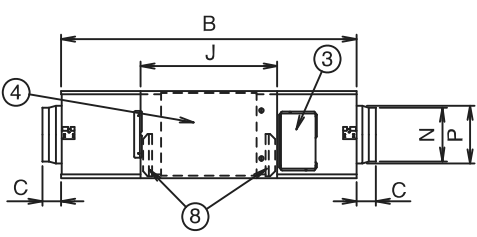
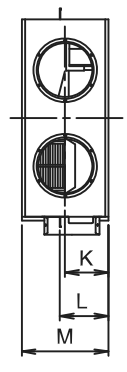
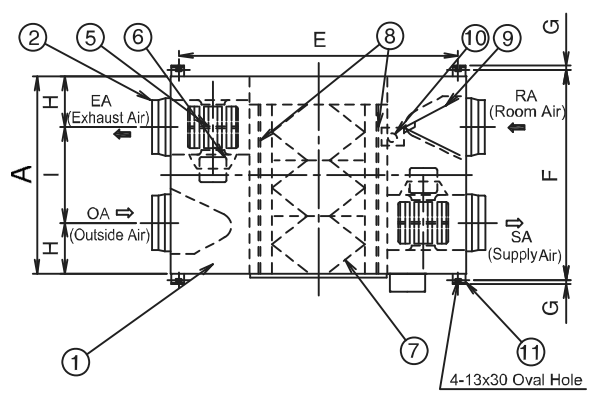
Number	Name	Quantity	Note
1	Frame	1	
2	Adapler	4	
3	Terminal	1	
4	Inspection Cover	1	
5	Fan	2	
6	Motor	2	Note 2)
7	Heat Exchange element	1	Note 1)
8	Filter	2	
9	Damper	1	
10	Damper Motor	1	
11	Ceiling Suspension Fixture	4	
12	Electrical Equipment Box	1	

Note1) Model No.FY-350ZDY8 and FY-500ZDY8 have two Heat Exchange Element.  
Note2) Model No.FY-350ZDY8 and FY-500ZDY8 have different fan and motor locations.

Unit: mm

Model No.	A	B	C	E	F	G	H	I	J	K	L	M	N	P
FY-250ZDY8	599	882	95	810	655	19	142	315	414	135	159	270	φ 144	φ 164
FY-350ZDY8	804	1050	70	978	860	19	112	580	470	159	182	317	φ 144	φ 164
FY-500ZDY8	904	1090	70	1018	960	19	132	640	470	159	182	317	φ 194	φ 210

Model No. FY-650ZDY8  
FY-800ZDY8  
FY-01KZDY8A



Applicable Duct

Model	Nominal Diameter
FY-650ZDY8	φ 200
FY-800ZDY8	φ 250
FY-01KZDY8A	φ 250

Number	Name	Quantity	Note
1	Frame	1	
2	Adapler	4	
3	Terminal	1	
4	Inspection Cover	1	
5	Fan	2	
6	Motor	2	Note 2)
7	Heat Exchange Element	3	Note 1)
8	Filter	2	
9	Damper	1	
10	Damper Motor	1	
11	Ceiling Suspension Fixture	4	
12	Electrical Equipment Box	1	

Note1) Model No.FY-01KZDY8A has four Heat Exchange Elements.  
Note2) Model No.FY-650ZDY8 has different fan and motor locations.

Unit: mm

Model No.	A	B	C	E	F	G	H	I	J	K	L	M	N	P
FY-650ZDY8	884	1204	70	1132	940	19	132	620	560	194	218	388	φ 194	φ 210
FY-800ZDY8	884	1322	85	1250	940	19	228	428	612	194	218	388	φ 242	φ 258
FY-01KZDY8A	1134	1322	85	1250	1190	19	228	678	612	194	218	388	φ 242	φ 258