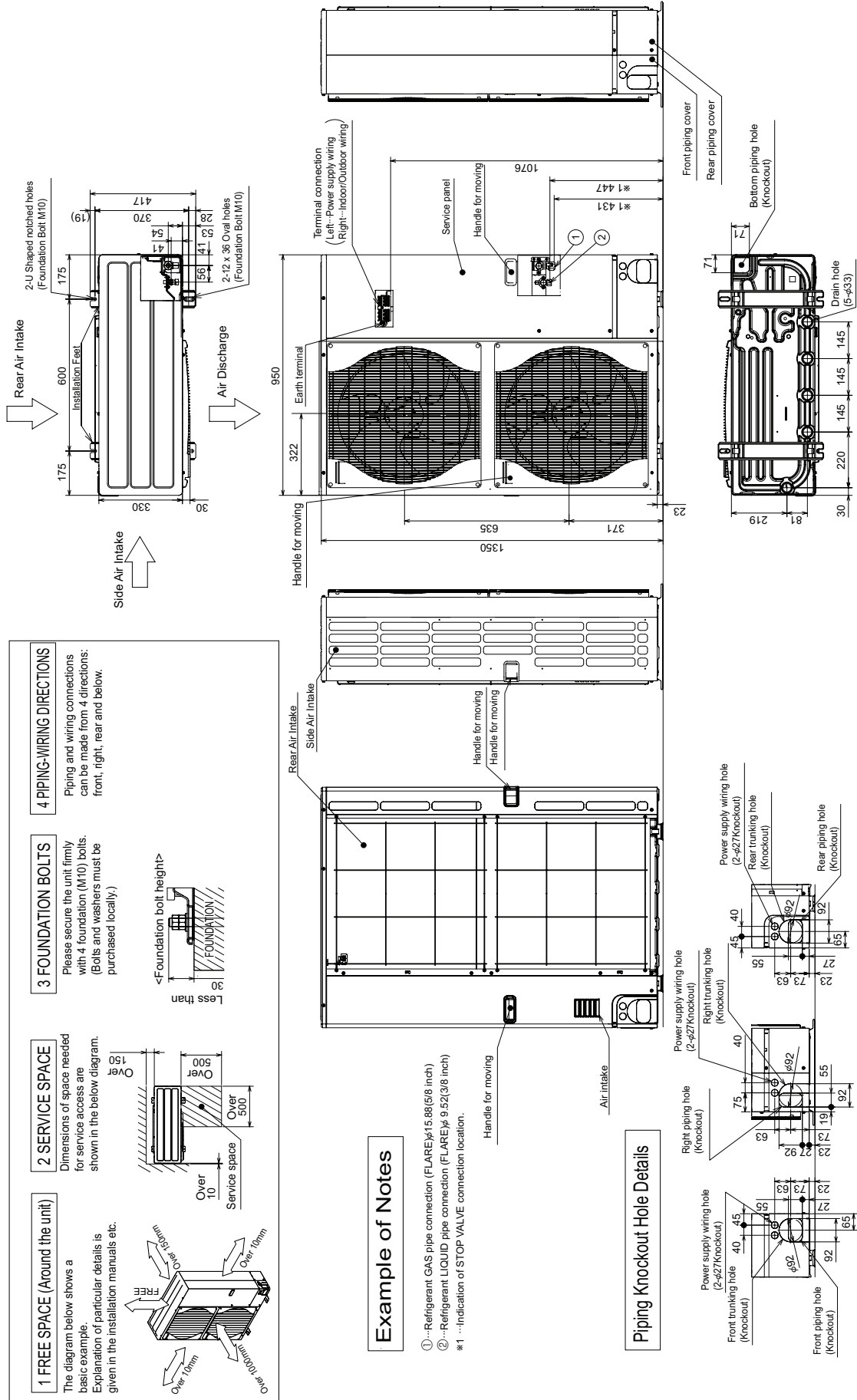




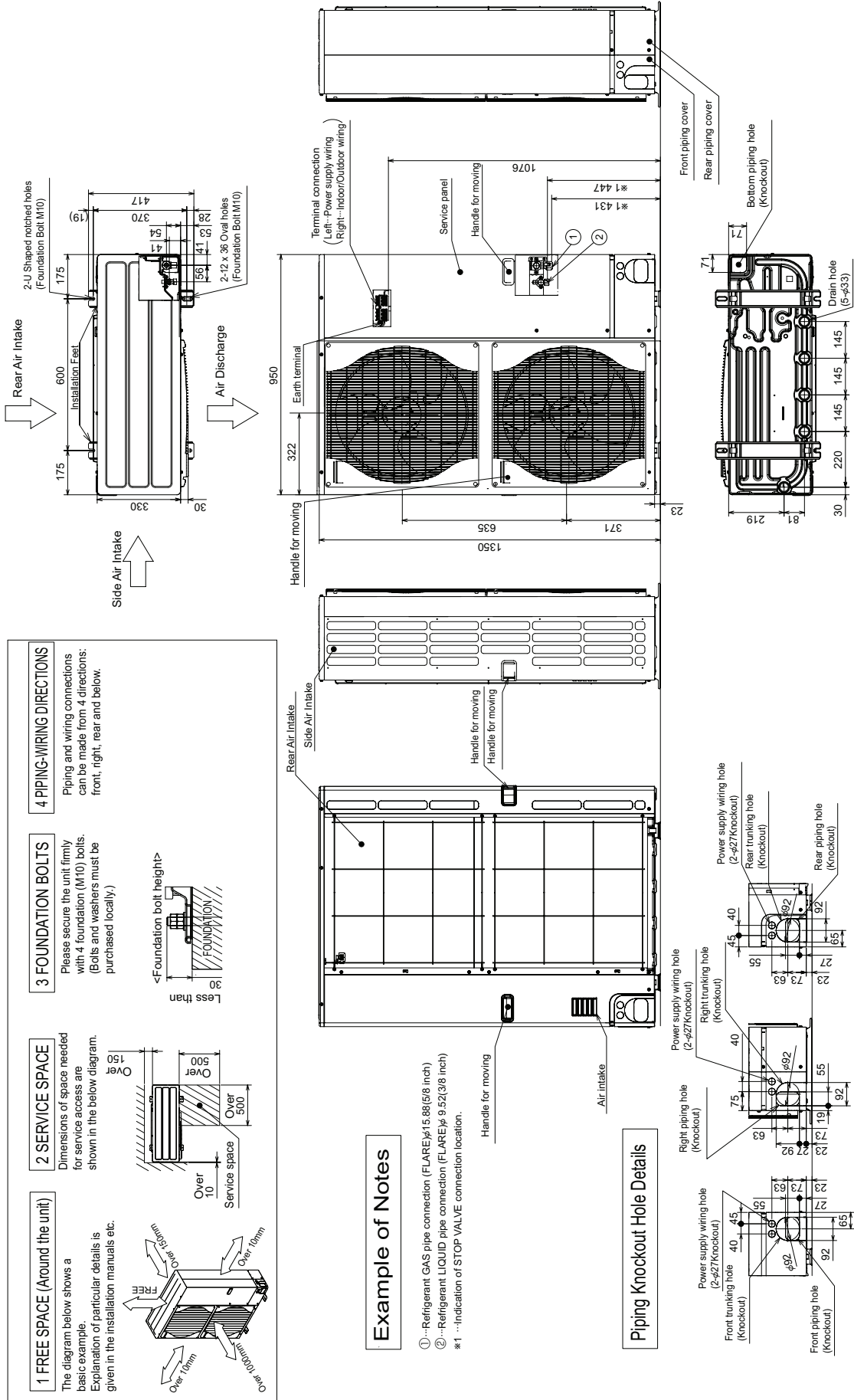
**PUHZ-P125VHA3  
PUHZ-P140VHA3**

Unit : mm



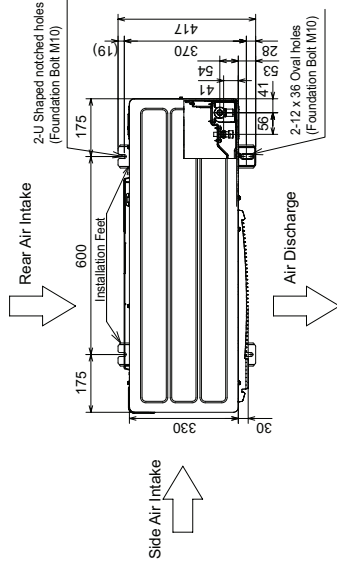
**PUHZ-P125VHA3**  
**PUHZ-P140VHA3**

Unit : mm



**PUHZ-P125YHA**  
**PUHZ-P140YHA**

Unit : mm(inch)

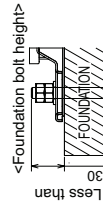


**4 PIPING-WIRING DIRECTIONS**

Piping and wiring connections can be made from 4 directions: front, right, rear and below.

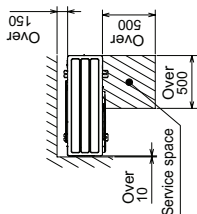
**3 FOUNDATION BOLTS**

Please secure the unit firmly with 4 foundation (M10) bolts. (Bolts and washers must be purchased locally).



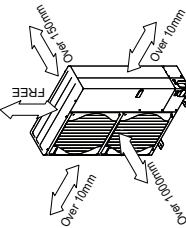
**2 SERVICE SPACE**

Dimensions of space needed for service access are shown in the below diagram.



**1 FREE SPACE (Around the unit)**

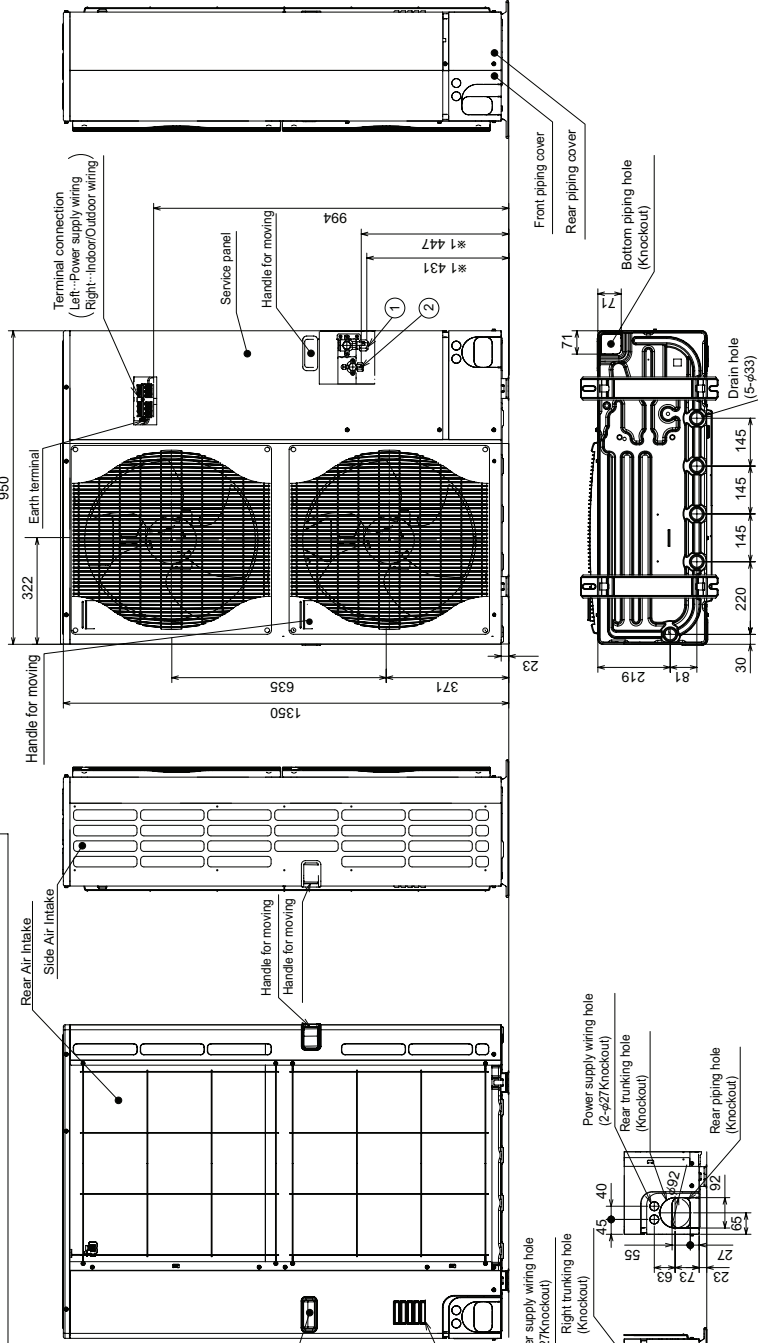
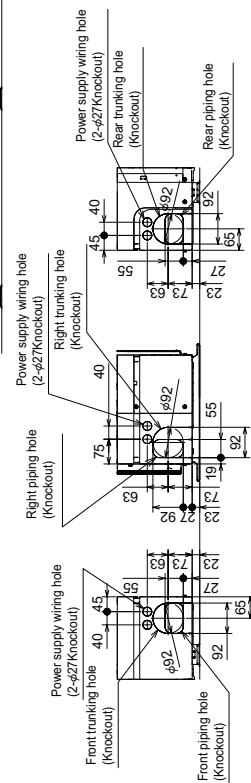
The diagram below shows a basic example. Explanation of particular details is given in the installation manuals etc.



**Example of Notes**

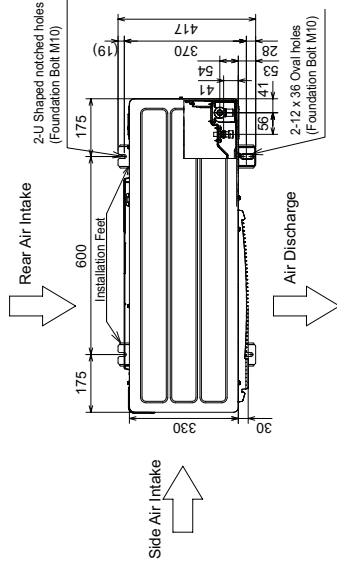
- ①...Refrigerant GAS pipe connection (FLARE)φ15.88(5/8 inch)
- ②...Refrigerant LIQUID pipe connection (FLARE)φ 9.52(3/8 inch)
- \*1 ...Indication of STOP VALVE connection location.

**Piping Knockout Hole Details**



**PUHZ-P125YHA**  
**PUHZ-P140YHA**

Unit : mm(inch)

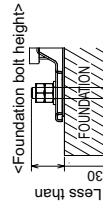


**4 PIPING-WIRING DIRECTIONS**

Piping and wiring connections can be made from 4 directions: front, right, rear and below.

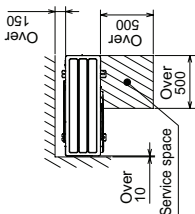
**3 FOUNDATION BOLTS**

Please secure the unit firmly with 4 foundation (M10) bolts. (Bolts and washers must be purchased locally).



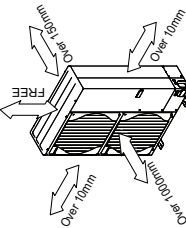
**2 SERVICE SPACE**

Dimensions of space needed for service access are shown in the below diagram.



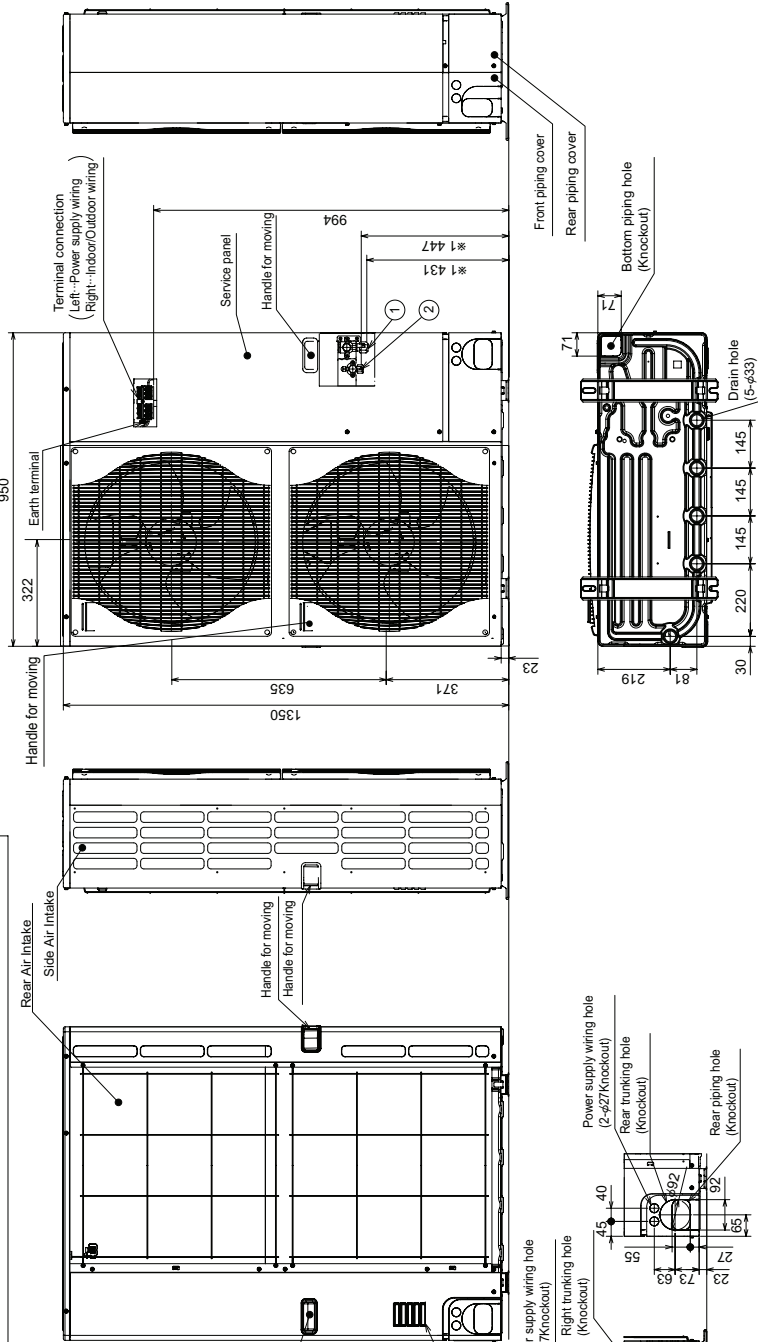
**1 FREE SPACE (Around the unit)**

The diagram below shows a basic example. Explanation of particular details is given in the installation manuals etc.

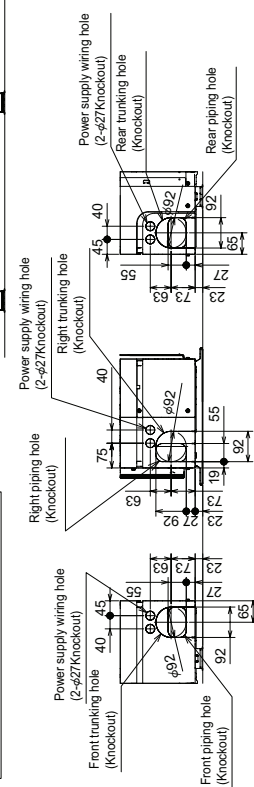


**Example of Notes**

- ①...Refrigerant GAS pipe connection (FLARE)φ15.88(5/8 inch)
- ②...Refrigerant LIQUID pipe connection (FLARE)φ 9.52(3/8 inch)
- \*1 ...Indication of STOP VALVE connection location.

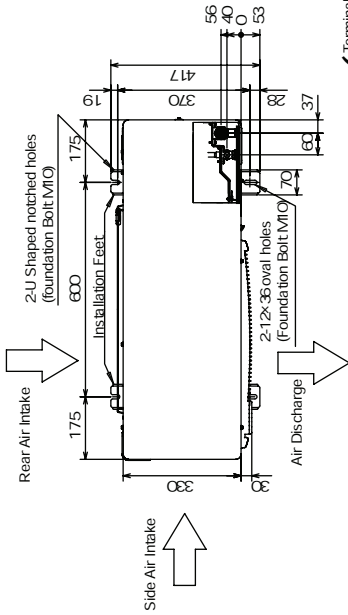


**Piping Knockout Hole Details**



PUHZ-P200YHA  
 PUHZ-P250YHA  
 PUHZ-P200YHA3  
 PUHZ-P250YHA3

Unit : mm

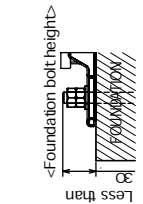


**4 PIPING-WIRING DIRECTIONS**

Piping and wiring connections can be made from 4-directions: front, right, rear and below

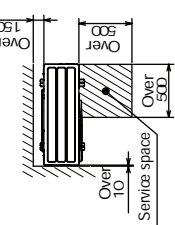
**3 FOUNDATION BOLTS**

Please secure the unit firmly with 4 foundation (M10) bolts. (Bolts and washers must be purchased locally)



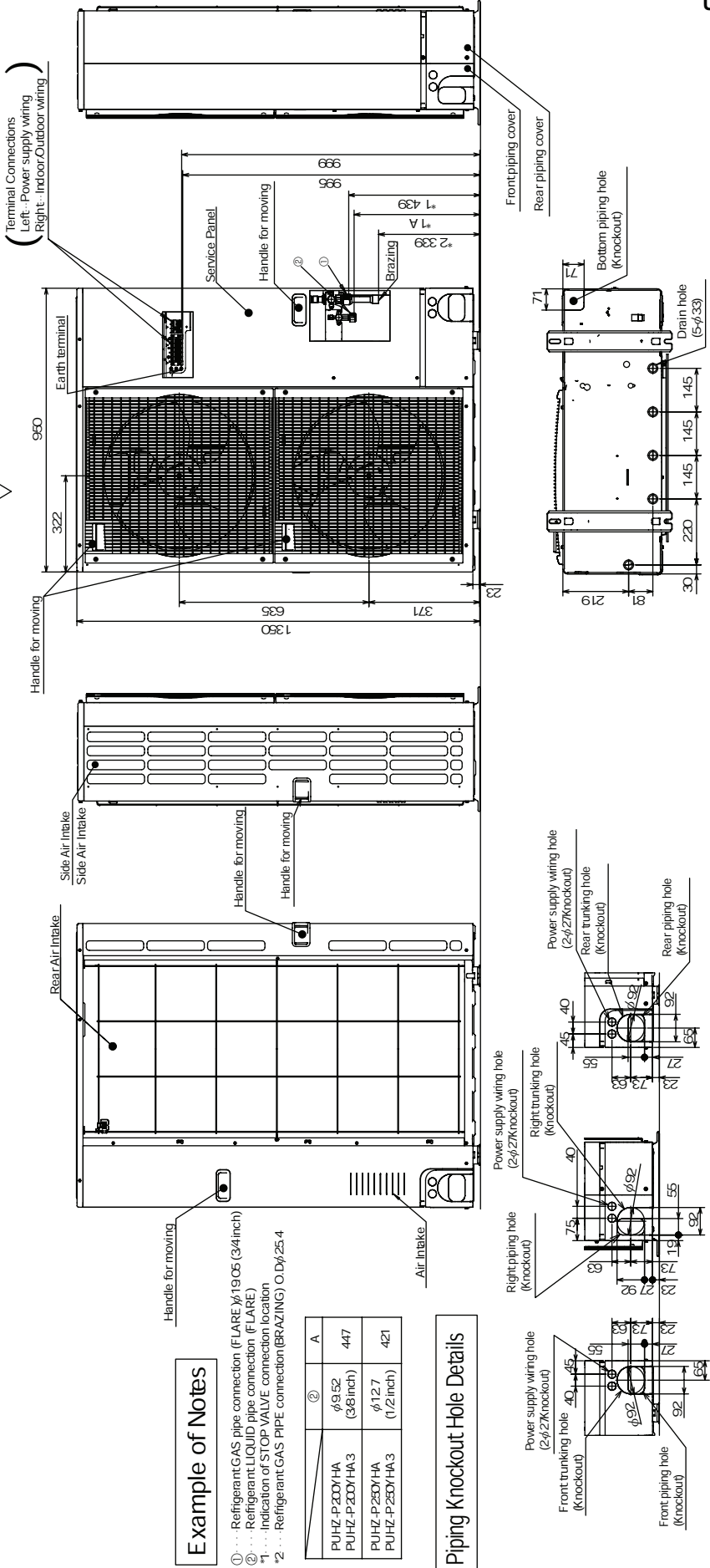
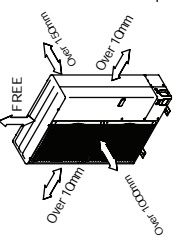
**2 SERVICE SPACE**

Dimensions of space needed for service access are shown in the below diagram.



**1 FREE SPACE (Around the unit)**

The diagram below shows a basic example. Explanation of particular details are given in the installation manuals etc.

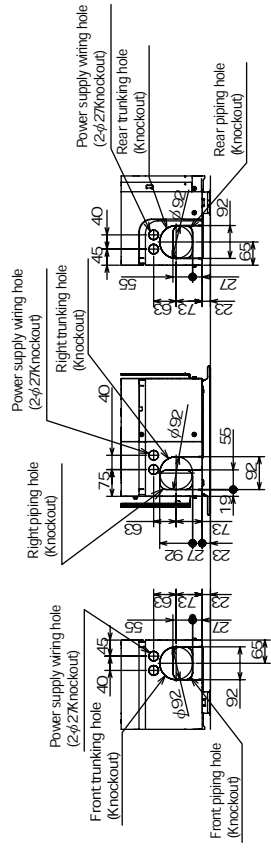


**Example of Notes**

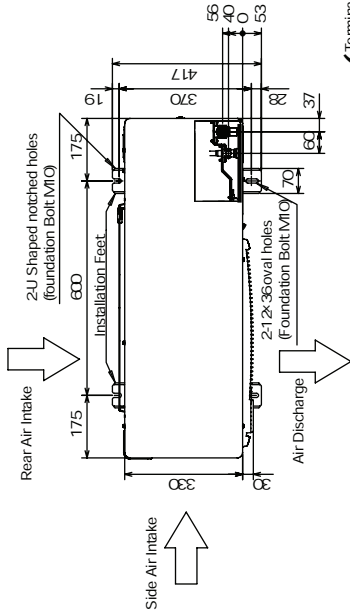
- ① ... Refrigerant GAS pipe connection (FLARE) φ19.05 (3/4inch)
- ② ... Refrigerant LIQUID pipe connection (FLARE)
- \*1 ... Indication of STOP VALVE connection location
- \*2 ... Refrigerant GAS PIPE connection (BRAZING) O.D.φ25.4

②	A
PUHZ-P200YHA	φ9.52 (3/8inch)
PUHZ-P200YHA3	447
PUHZ-P250YHA	φ12.7 (1/2inch)
PUHZ-P250YHA3	421

**Piping Knockout Hole Details**



PUHZ-P200YHA3R1  
 PUHZ-P250YHA3R1  
 PUHZ-P200YHA3R2  
 PUHZ-P250YHA3R2  
 PUHZ-P200YHA3R3  
 PUHZ-P250YHA3R3

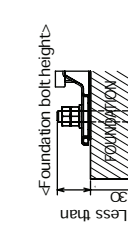


**4 PIPING-WIRING DIRECTIONS**

Piping and wiring connections can be made from 4 directions: front, right, rear and below

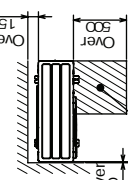
**3 FOUNDATION BOLTS**

Please secure the unit firmly with 4 foundation (M10) bolts. (Bolts and washers must be purchased locally)



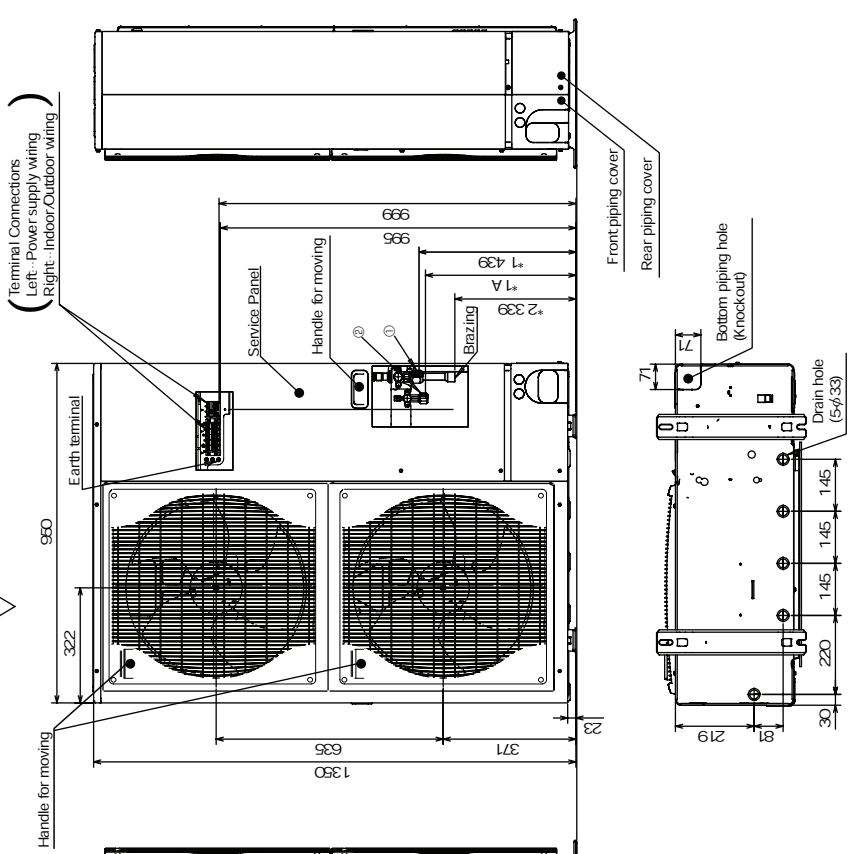
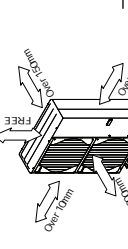
**2 SERVICE SPACE**

Dimensions of space needed for service access are shown in the below diagram.



**1 FREE SPACE (Around the unit)**

The diagram below shows a basic example. Explanation of particular details are given in the installation manuals etc.



**Example of Notes**

- ① ... Refrigerant GAS pipe connection (FLARE) φ19.05(3/4 inch)
- ② ... Refrigerant LIQUID pipe connection (FLARE)
- 1 ... Indication of STOP VALVE connection location
- 2 ... Refrigerant GAS PIPE connection (BRAZING) O.D.φ25.4

②	A
PUHZ-P200YHA3R1	φ19.52 (3/8inch)
PUHZ-P200YHA3R2	447
PUHZ-P200YHA3R3	
PUHZ-P250YHA3R1	φ127 (1/2inch)
PUHZ-P250YHA3R2	421
PUHZ-P250YHA3R3	

**Piping Knockout Hole Details**

