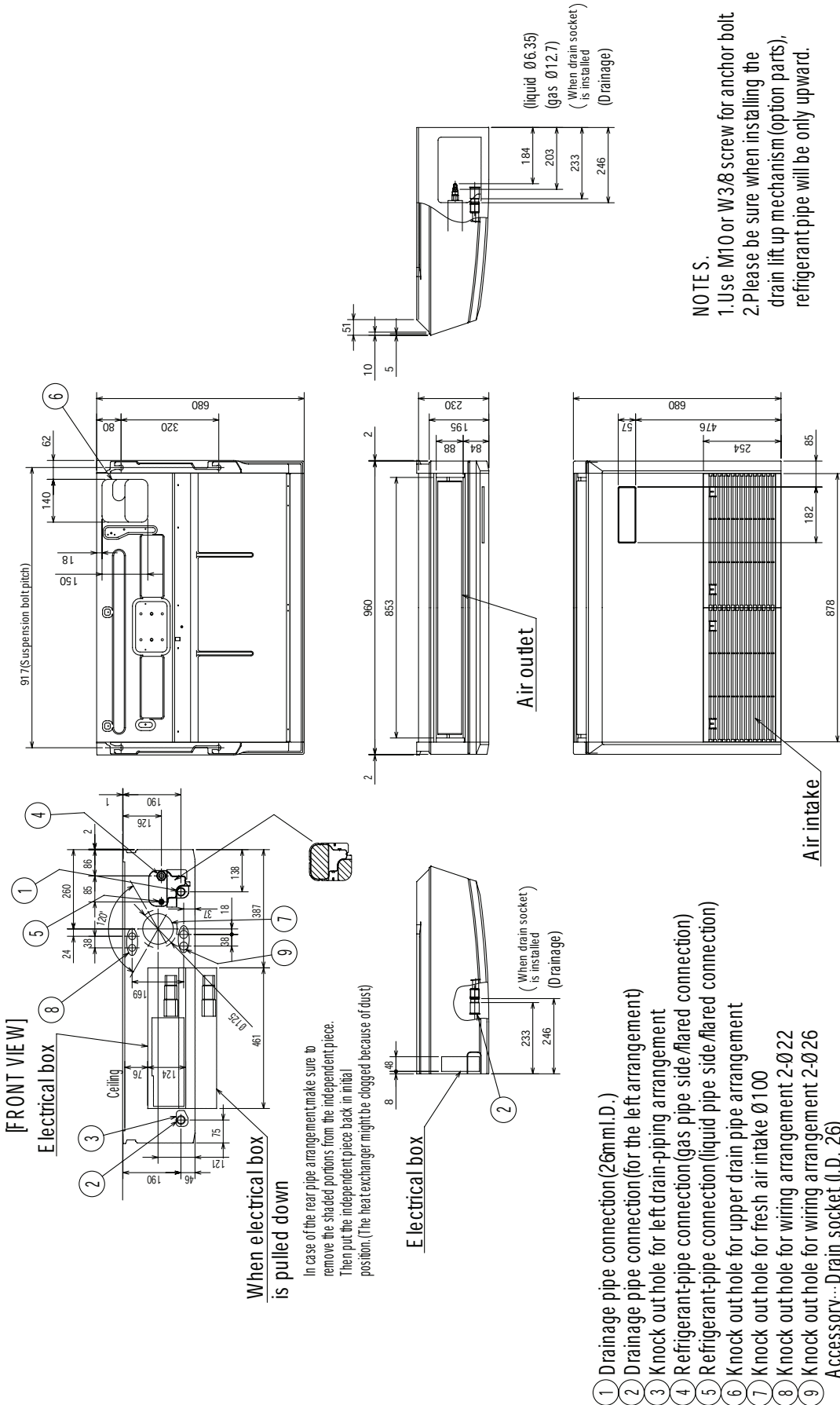


PCFY-P40VKM-E

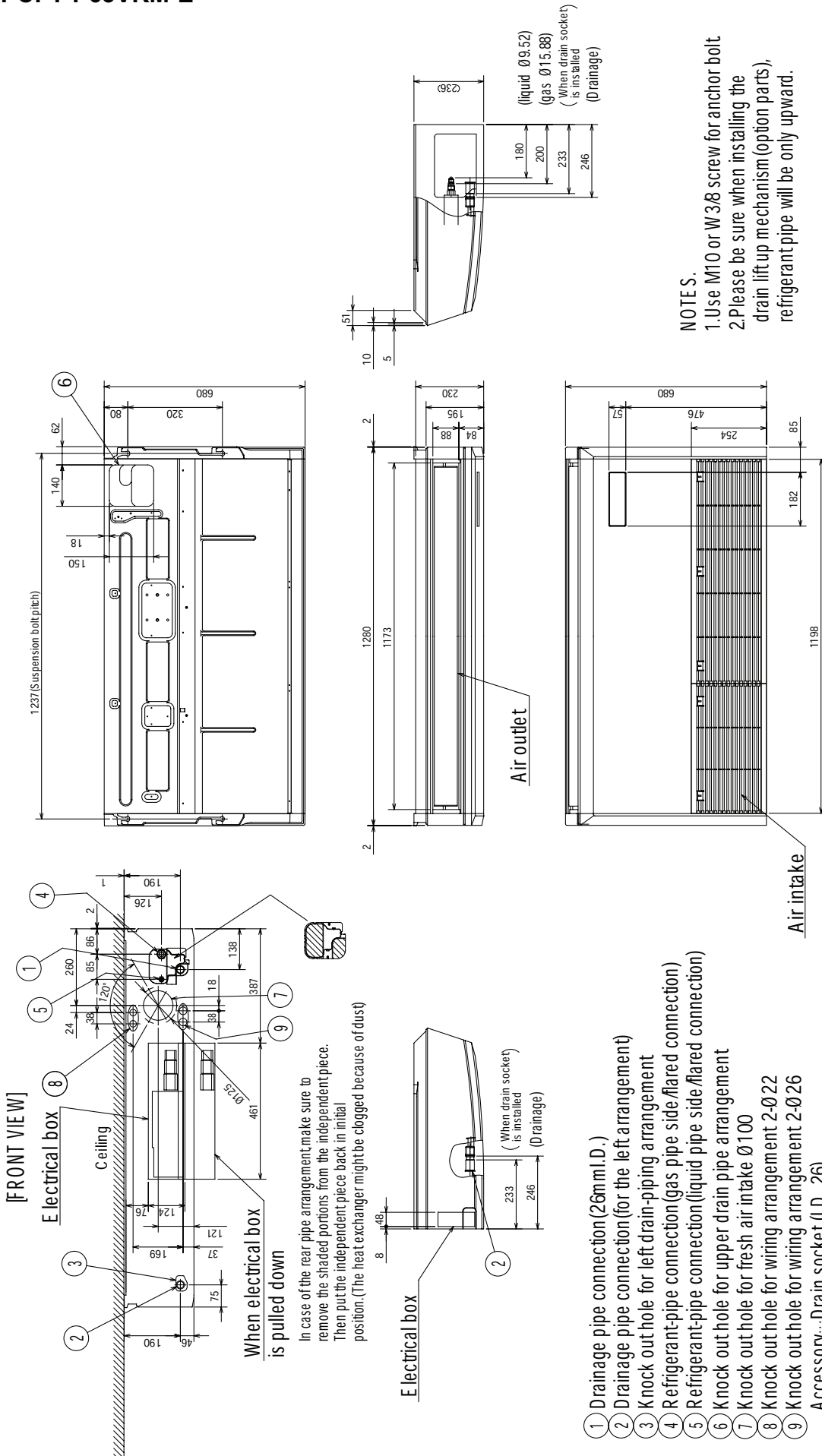
Unit : mm



- ① Drainage pipe connection (26mm I.D.)
- ② Drainage pipe connection (for the left arrangement)
- ③ Knock out hole for left drain-piping arrangement
- ④ Refrigerant-pipe connection (gas pipe side/flared connection)
- ⑤ Refrigerant-pipe connection (liquid pipe side/flared connection)
- ⑥ Knock out hole for upper drain pipe arrangement
- ⑦ Knock out hole for fresh air intake Ø100
- ⑧ Knock out hole for wiring arrangement 2-Ø22
- ⑨ Knock out hole for wiring arrangement 2-Ø26
 Accessory...Drain socket (I.D. 26)

PCFY-P63VKM-E

Unit : mm



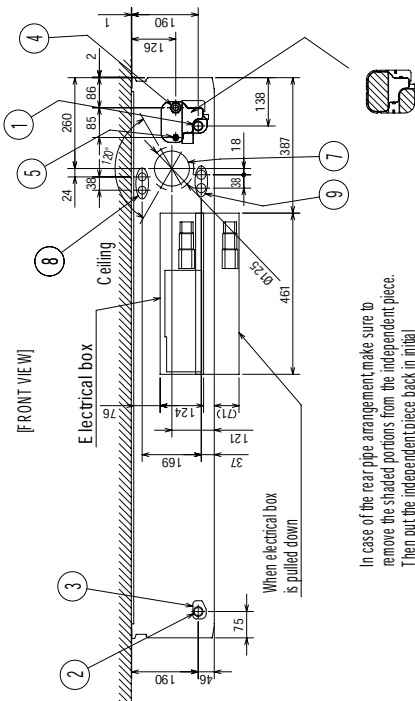
NOTES.
1. Use M10 or W3/8 screw for anchor bolt
2. Please be sure when installing the drain lift up mechanism (option parts), refrigerant pipe will be only upward.

PCFY-P100,125VKM-E

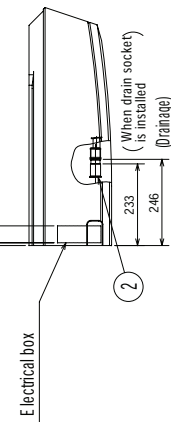
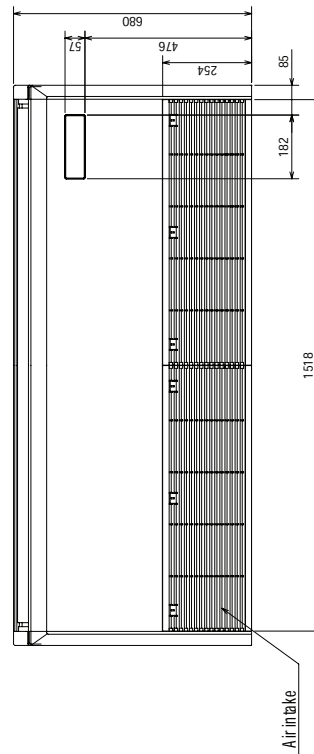
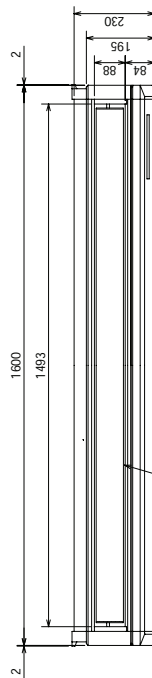
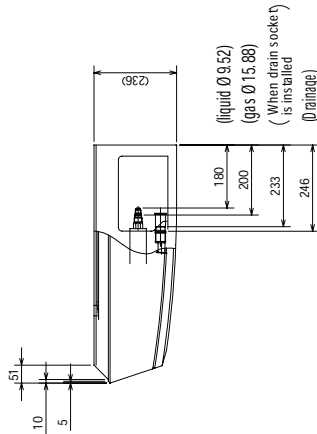
Unit : mm

- ⑥ Knock out hole for upper drain pipe arrangement
- ⑦ Knock out hole for fresh air make Ø100
- ⑧ Knock out hole for wiring arrangement 2-Ø22
- ⑨ Knock out hole for wiring arrangement 2-Ø26
Accessory---Drain socket (I.D. 26)

- ① Drainage pipe connection (26mm I.D.)
- ② Drainage pipe connection (for the left arrangement)
- ③ Knock out hole for left drain-piping arrangement
- ④ Refrigerant-pipe connection (gas pipe side/flared connection)
- ⑤ Refrigerant-pipe connection (liquid pipe side/flared connection)



In case of the ear pipe arrangement, make sure to remove the shaded portions from the independent piece. Then put the independent piece back in initial position. (The heat exchanger might be clogged because of dust)



Use the current nuts meeting the pipe size of the outdoor unit.

- NOTES.**
1. Use M10 or W3/8 screw for anchor bolt
 2. Please be sure when installing the drain lift up mechanism (option parts), refrigerant pipe will be only upward.