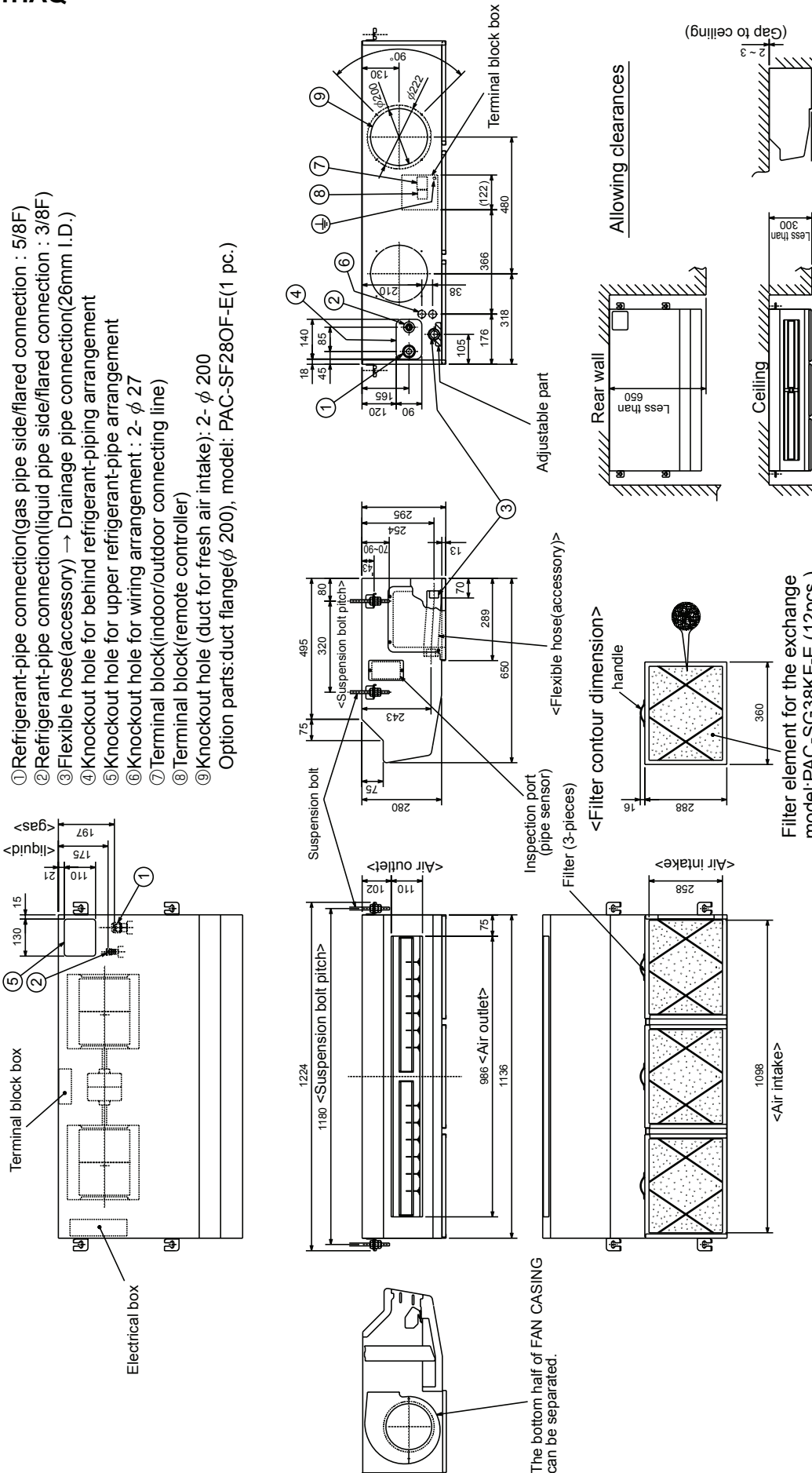


PCA-RP71HAQ

Unit : mm

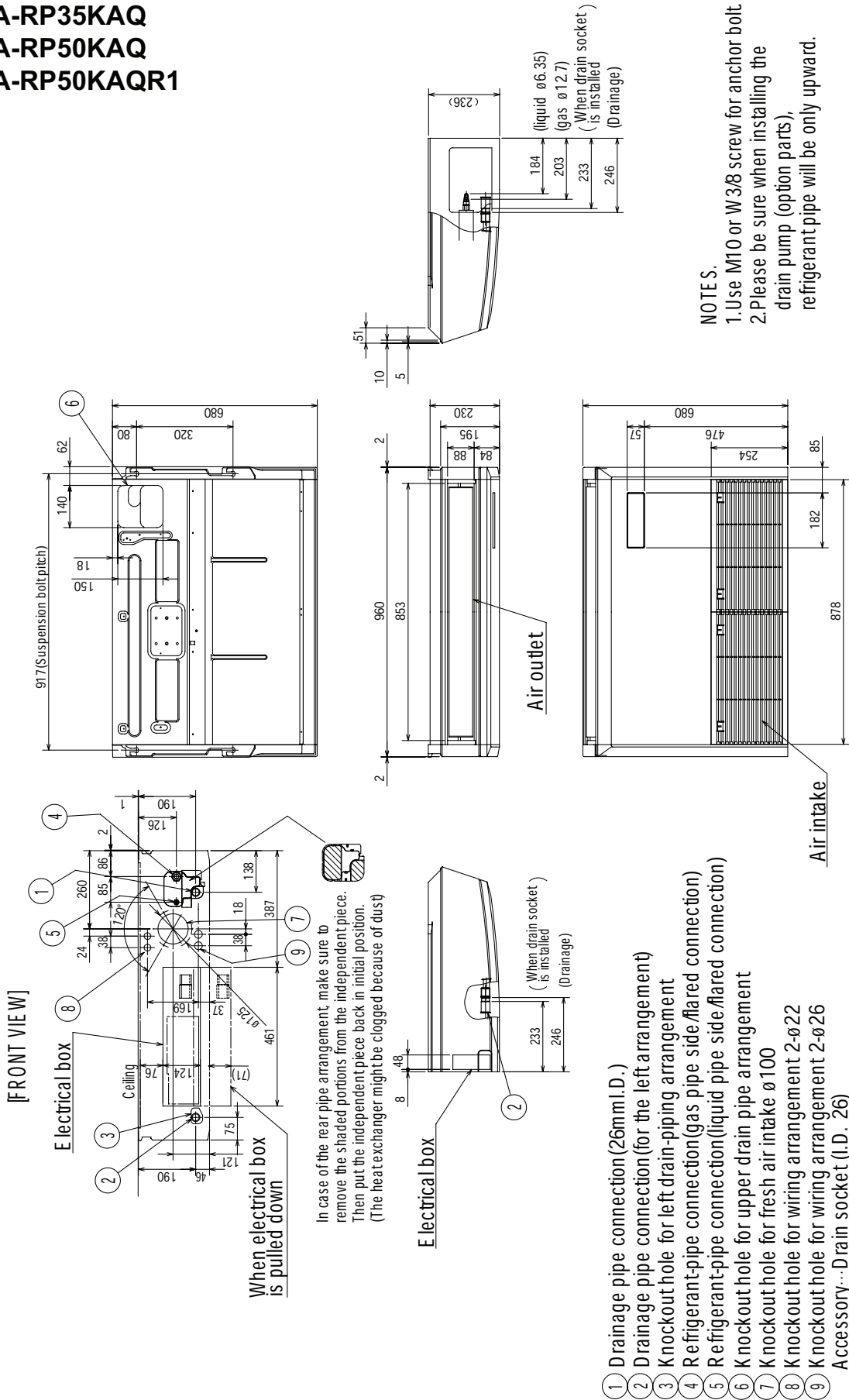


NOTES.  
 1. Use M10 or W3/8 screw for anchor bolt.

INDOOR UNIT

PCA-RP35KAQ  
PCA-RP50KAQ  
PCA-RP50KAQR1

Unit : mm

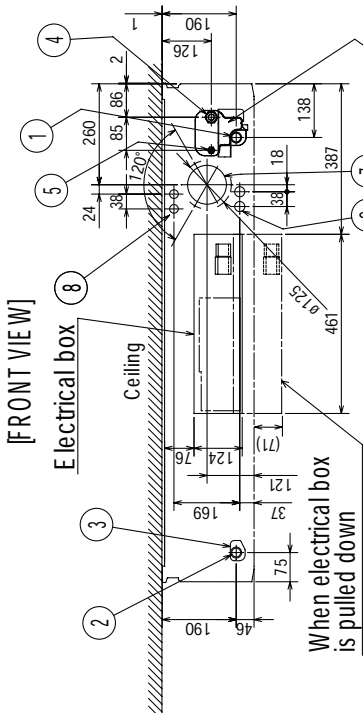


NOTE S.  
1. Use M10 or W3/8 screw for anchor bolt.  
2. Please be sure when installing the drain pump (option parts), refrigerant pipe will be only upward.

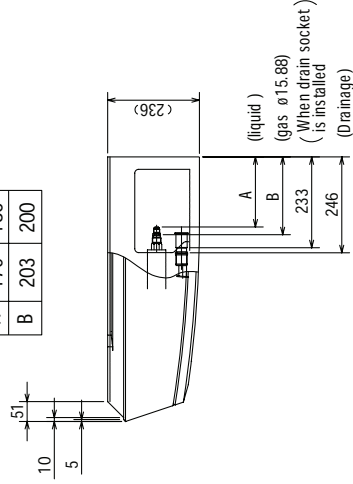
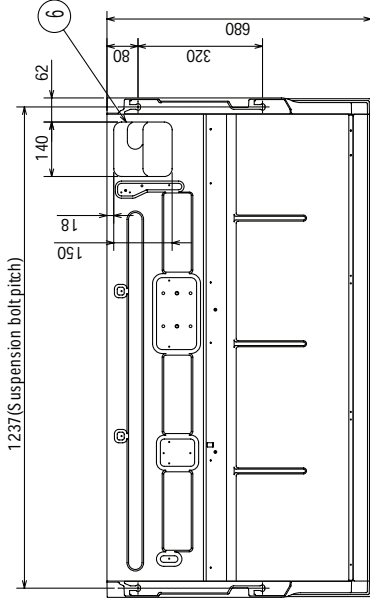
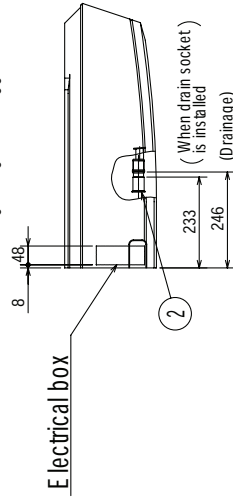
- ① Drainage pipe connection (26mm I.D.)
  - ② Drainage pipe connection (for the left arrangement)
  - ③ Knockout hole for left drain-piping arrangement
  - ④ Refrigerant-pipe connection (gas pipe side/flared connection)
  - ⑤ Refrigerant-pipe connection (liquid pipe side/flared connection)
  - ⑥ Knockout hole for upper drain pipe arrangement
  - ⑦ Knockout hole for fresh air intake  $\phi 100$
  - ⑧ Knockout hole for wiring arrangement 2- $\phi 22$
  - ⑨ Knockout hole for wiring arrangement 2- $\phi 26$
- Accessory... Drain socket (I.D. 26)

PCA-RP60, 71KAQ  
PCA-RP60, 71KAQR1

Unit : mm



In case of the rear pipe arrangement, make sure to remove the shaded portions from the independent piece. Then put the independent piece back in initial position. (The heat exchanger might be clogged because of dust)



	RP60	RP71
A	179	180
B	203	200

- ① Drainage pipe connection (26mm I.D.)
  - ② Drainage pipe connection (for the left arrangement)
  - ③ Knockout hole for left drain-piping arrangement
  - ④ Refrigerant-pipe connection (gas pipe side/flared connection)
  - ⑤ Refrigerant-pipe connection (liquid pipe side/flared connection)
  - ⑥ Knockout hole for upper drain pipe arrangement
  - ⑦ Knockout hole for fresh air intake  $\phi 100$
  - ⑧ Knockout hole for wiring arrangement 2- $\phi 22$
  - ⑨ Knockout hole for wiring arrangement 2- $\phi 26$
- Accessory... Drain socket (I.D. 26)  
Flare nut  $\phi 6.35$  (RP60 only)

NOTES.

- 1. Use M10 or W3/8 screw for anchor bolt.
- 2. Please be sure when installing the drain pump (option parts), refrigerant pipe will be only upward.

Use the current nuts meeting the pipe size of the outdoor unit

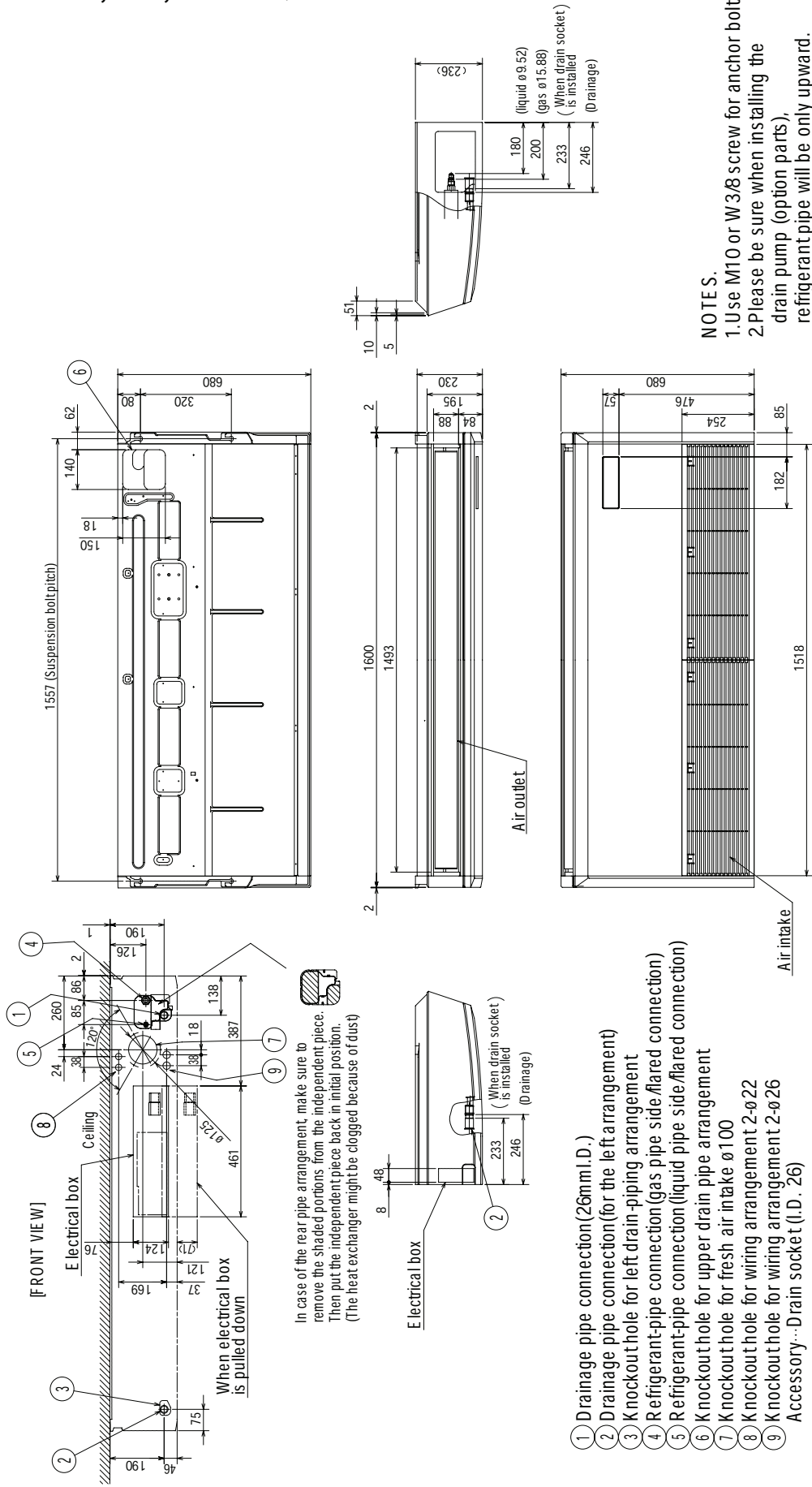
Available pipe size

	RP60	RP71
⑤ LIQUID SIDE	$\phi 6.35$	—
④ GAS SIDE	$\phi 9.52$	$\phi 9.52$
	$\phi 15.88$	$\phi 15.88$

○ : Initial flare nut size

# PCA-RP100, 125, 140KAQ

Unit : mm



### NOTES.

1. Use M10 or W3/8 screw for anchor bolt
2. Please be sure when installing the drain pump (option parts), refrigerant pipe will be only upward.

- ① Drainage pipe connection (26mm I.D.)
  - ② Drainage pipe connection (for the left arrangement)
  - ③ Knockout hole for left drain-piping arrangement
  - ④ Refrigerant-pipe connection (gas pipe side/flared connection)
  - ⑤ Refrigerant-pipe connection (liquid pipe side/flared connection)
  - ⑥ Knockout hole for upper drain pipe arrangement
  - ⑦ Knockout hole for fresh air intake  $\phi$ 100
  - ⑧ Knockout hole for wiring arrangement 2- $\phi$ 22
  - ⑨ Knockout hole for wiring arrangement 2- $\phi$ 26
- Accessory...Drain socket (I.D. 26)