

**AIR CONDITIONING SYSTEMS  
INDOOR UNIT****PWFY-P100VM-E-BU  
PWFY-P100VM-E1-AU  
PWFY-P200VM-E1-AU****INSTALLATION MANUAL**

For safe and correct use, please read this installation manual thoroughly before installing the indoor unit.

**INSTALLATIONSHANDBUCH**

Zum sicheren und ordnungsgemäßen Gebrauch der Innenanlage das Installationshandbuch gründlich durchlesen.

**MANUEL D'INSTALLATION**

Avant d'installer l'appareil intérieur, prière de lire ce manuel d'installation avec attention pour un usage correct et en toute sécurité.

**MANUAL DE INSTALACIÓN**

Para la utilización segura y correcta, lea detenidamente este manual de instalación antes de instalar la unidad interior.

**MANUALE DI INSTALLAZIONE**

Per un uso sicuro e corretto, leggere attentamente questo manuale di installazione prima di installare l'unità interna.

**INSTALLATIEHANDLEIDING**

Voor veilig en correct gebruik dient u deze installatiehandleiding geheel te lezen voor het installeren van het toestel voor binnenshuis.

**MANUAL DE INSTALAÇÃO**

Para uma utilização segura e correcta, é favor ler este manual de instalação por completo, antes de instalar a unidade interior.

**ΕΓΧΕΙΡΙΔΙΟ ΟΔΗΓΙΩΝ ΕΓΚΑΤΑΣΤΑΣΗΣ**

Για ασφάλεια και σωστή χρήση, παρακαλείστε να διαβάσετε προσεχτικά αυτό το εγχειρίδιο εγκατάστασης πριν την εγκατάσταση της εσωτερικής μονάδας.

**РУКОВОДСТВО ПО УСТАНОВКЕ**

Для безопасной и правильной эксплуатации аппарата необходимо тщательно ознакомиться с данным руководством по установке перед выполнением установки внутреннего блока.

**MONTAJ ELKİTABI**

Emniyetli ve doğru biçimde nasıl kullanılacağını öğrenmek için lütfen iç mekan ünitesini monte etmeden önce bu elkitabını dikkatle okuyunuz.

**PŘÍRUČKA K INSTALACI**

V zájmu bezpečného a správného používání si před instalací vnitřní jednotky důkladně přečtěte tuto příručku k instalaci.

**NÁVOD NA INŠTALÁCIU**

Pre bezpečné a správne použitie si prosím pred inštalovaním vnútornej jednotky starostlivo prečítajte tento návod na inštaláciu.

**PRIROČNIK ZA NAMESTITEV**

Za varno in pravilno uporabo pred namestitvijo naprave enote skrbno preberite ta priročnik za namestitev.

**TELEPÍTÉSI KÉZIKÖNYV**

A biztonságos és helyes használatához, kérjük, olvassa el alaposan ezt a telepítési kézikönyvet, mielőtt telepítené a légkondicionáló egységet.

**PODŘEČZNIK INSTALACJI**

W celu bezpiecznego i poprawnego korzystania, należy przed zainstalowaniem urządzenia dokładnie zapoznać się z niniejszym podręcznikiem instalacji.

**РЪКОВОДСТВО ЗА МОНТАЖ**

За безопасно и правилно ползване, моля прочетете изцяло това ръководство за монтаж преди инсталацията на вътрешния блок.

**INSTALLATIONSHANDBOK**

Läs den här installationshandboken noga innan inomhusenheten installeras, för säker och korrekt användning.

**PRIRUČNIK ZA UGRADNJU**

Radi sigurne i ispravne uporabe, temeljito pročitajte ovaj priručnik prije ugradnje unutarnje jedinice.

**MANUAL CU INSTRUCȚIUNI DE INSTALARE**

Pentru o utilizare corectă și sigură, vă rugăm citiți cu atenție acest manual înainte de a instala unitatea internă.

GB

D

F

E

I

NL

P

GR

RU

TR

CZ

SV

SL

HG

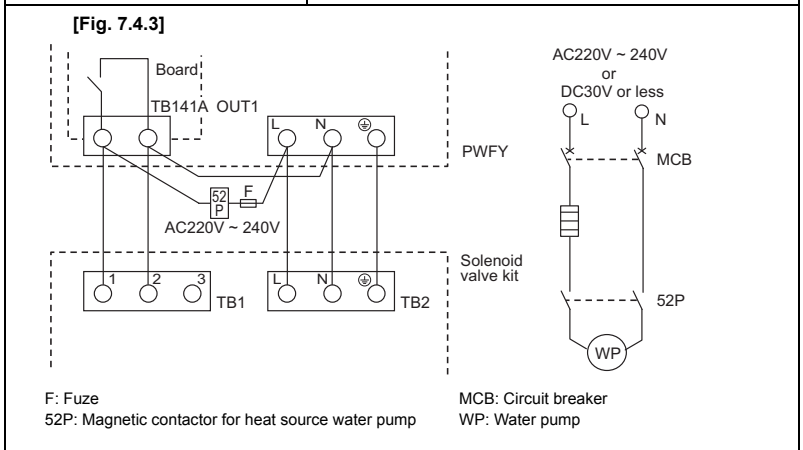
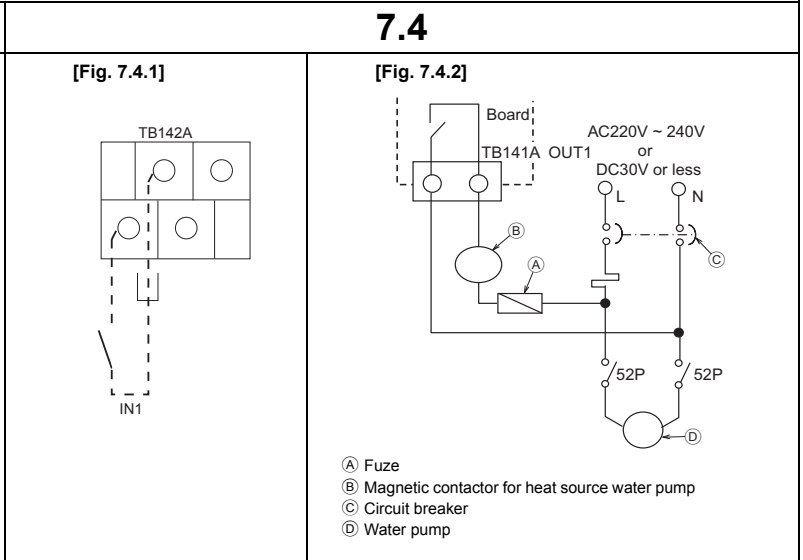
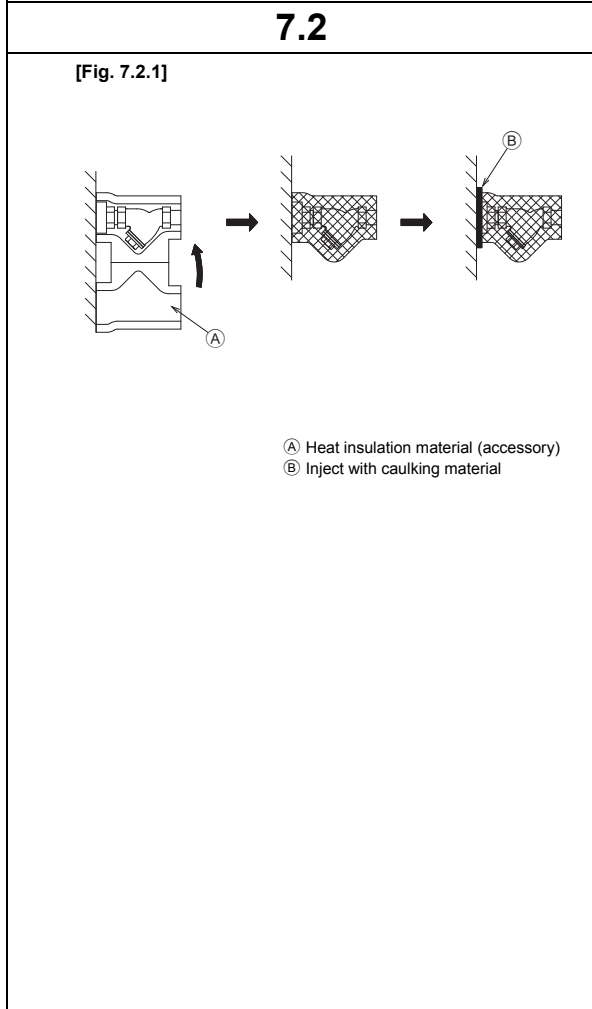
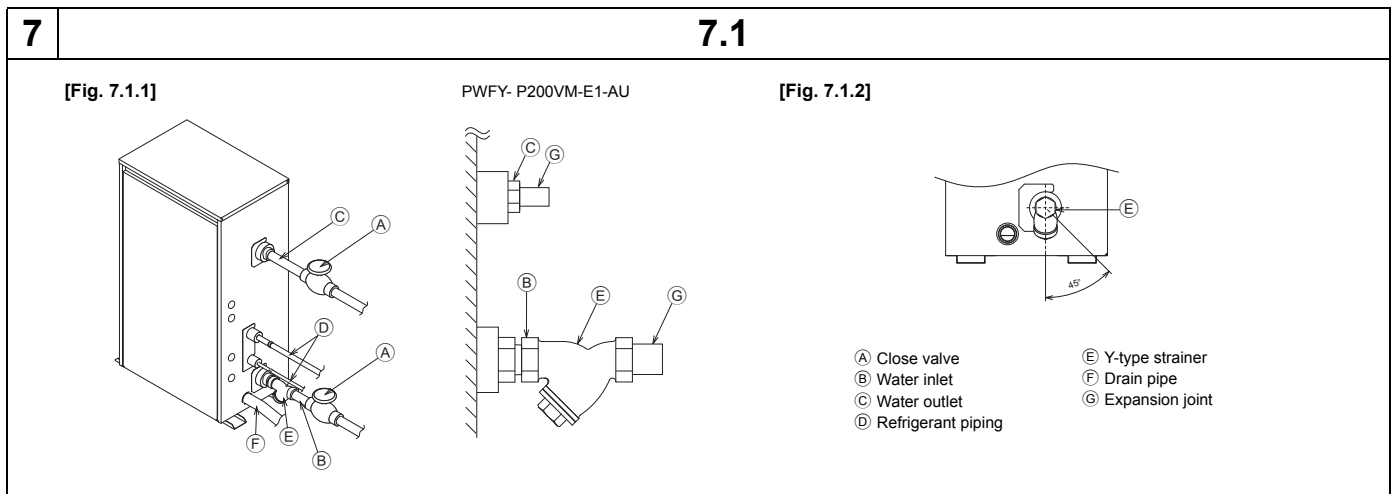
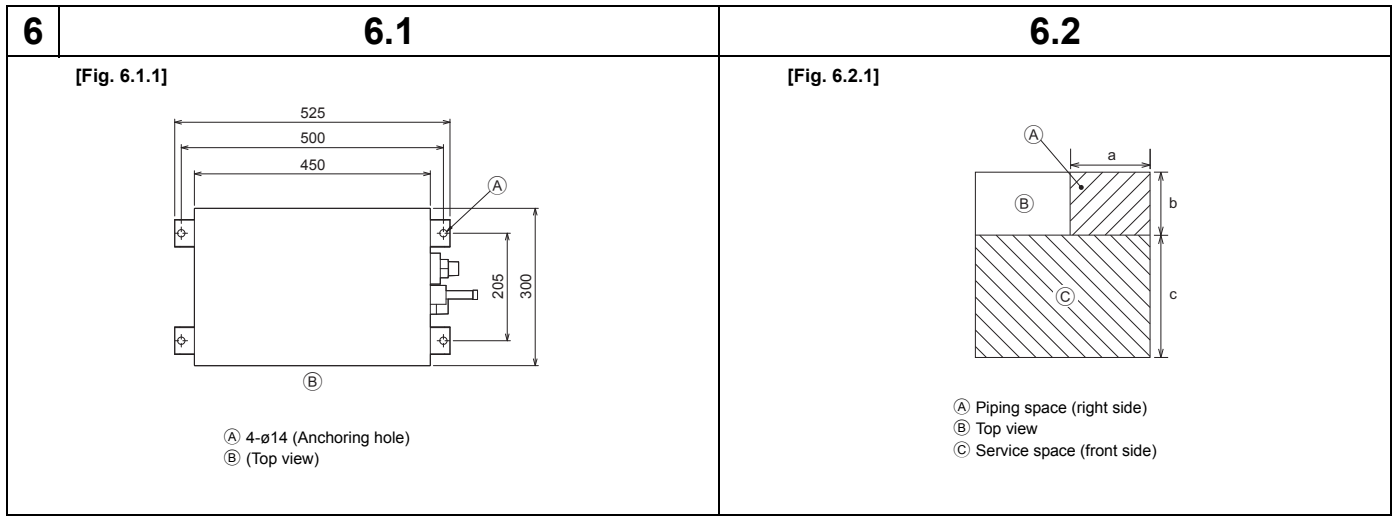
PO

BG

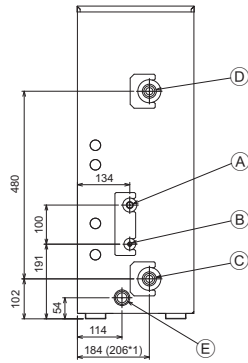
SW

HR

RO

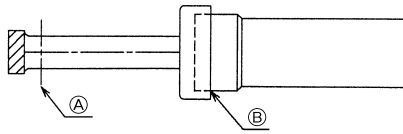


[Fig. 8.1.1]



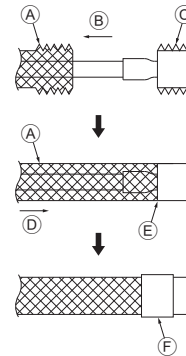
- Ⓐ Refrigerant piping (gas)
  - Ⓑ Refrigerant piping (liquid)
  - Ⓒ Water inlet
  - Ⓓ Water outlet
  - Ⓔ Drain outlet
- \*1: PWFY-P100/200VM-E1-AU

[Fig. 9.1.1]



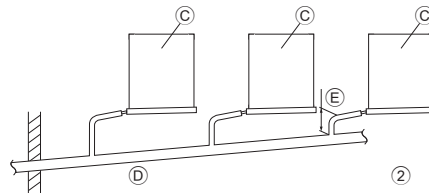
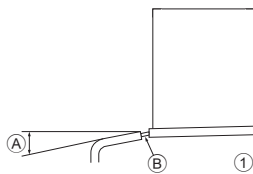
- Ⓐ Cut here
- Ⓑ Remove brazed cap

[Fig. 9.1.2]



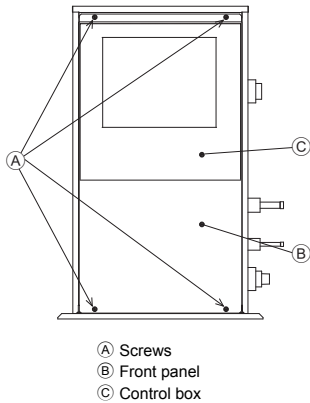
- Ⓐ Thermal insulation
- Ⓑ Pull out insulation
- Ⓒ Wrap with damp cloth
- Ⓓ Return to original position
- Ⓔ Ensure that there is no gap here
- Ⓛ Wrap with insulating tape

[Fig. 9.2.1]



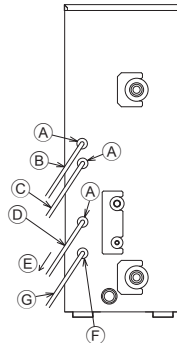
- Ⓐ Downward slope 1/100 or more
- Ⓑ Drain hose
- Ⓒ Unit
- Ⓓ Collective piping
- Ⓔ Maximize this length to approx. 10 cm

[Fig. 9.3.1]



- Ⓐ Screws
- Ⓑ Front panel
- Ⓒ Control box

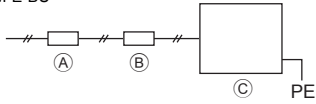
[Fig. 9.3.2]



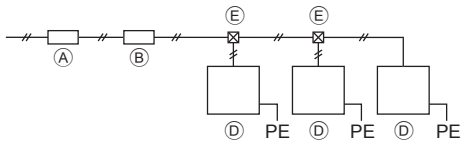
- Ⓐ To prevent external tensile force from applying to the wiring connection section of power source terminal block use buffer bushing like PG connection or the like.
- Ⓑ External signal input cable
- Ⓒ External signal output cable
- Ⓓ Power source wiring
- Ⓔ Tensile force
- Ⓛ Use ordinary bushing
- Ⓜ Transmission cable and MA remote controller cable

[Fig. 10.1.1]

PWFY- P100VM-E-BU



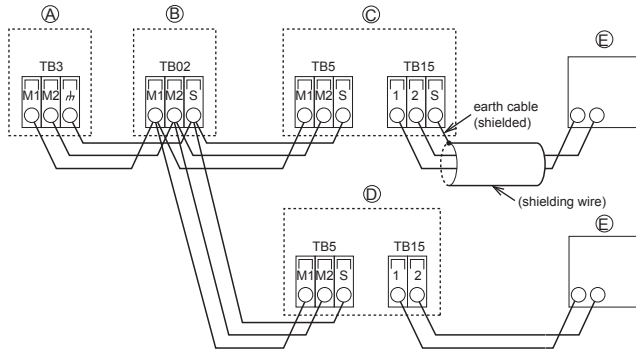
PWFY- P100/200VM-E1-AU



- (A) Breaker for current leakage
- (B) Local switch or breakers for wiring
- (C) PWFY-P100VM-E-BU
- (D) PWFY-P100/200VM-E1-AU
- (E) Pull box

10.2

[Fig. 10.2.1]

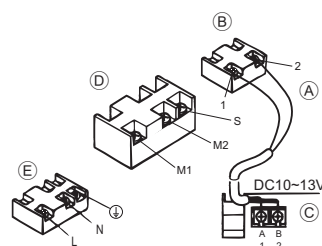
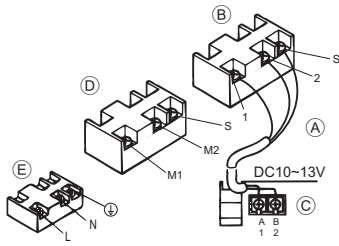


- (A) Outdoor unit
- (B) BC controller
- (C) PWFY-P100VM-E-BU
- (D) PWFY-P100/200VM-E1-AU
- (E) MA remote controller

[Fig. 10.2.2]

PWFY- P100VM-E-BU

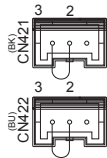
PWFY- P100/200VM-E1-AU



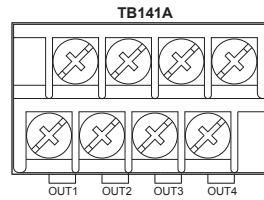
- (A) Non-polarized
- (B) TB15 (MA remote controller cables)
- (C) MA remote Controller
- (D) TB5 (Transmission cables)
- (E) TB2 (Power supply wiring)

10.3

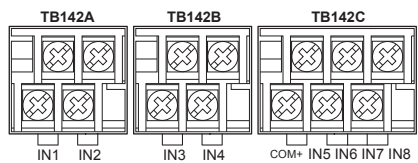
[Fig. 10.3.1]



[Fig. 10.3.2]

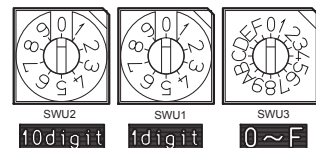


[Fig. 10.3.3]



10.4

[Fig. 10.4.1]



# Contents

1. Safety precautions .....	5	7.3. Water processing and water quality control .....	8
1.1. Before installation and electric work .....	5	7.4. Pump interlock .....	9
1.2. Precautions for devices that use R410A refrigerant .....	5	8. Refrigerant pipe and drain pipe specifications .....	9
1.3. Before getting installed .....	6	8.1. Refrigerant pipe, drain pipe and filling port .....	9
1.4. Before getting installed (moved) -electrical work .....	6	9. Connecting refrigerant pipes and drain pipes .....	9
1.5. Before starting the test run .....	6	9.1. Refrigerant piping work .....	9
2. About the product .....	6	9.2. Drain piping work .....	10
3. Specifications .....	7	9.3. Connecting electrical connections .....	10
4. Confirmation of parts attached .....	7	10. Electrical wiring .....	10
5. Lifting method .....	7	10.1. Power supply wiring .....	11
6. Installation of unit and service space .....	7	10.2. Connecting remote controller, indoor and outdoor transmission cables .....	11
6.1. Installation .....	7	10.3. External input/output function .....	11
6.2. Service space .....	7	10.4. Setting addresses .....	12
7. Water pipe installation .....	7	11. Information on rating plate .....	12
7.1. Precautions during installation .....	8		
7.2. Insulation installation .....	8		

## 1. Safety precautions

### 1.1. Before installation and electric work

- ▶ Before installing the unit, make sure you read all the “Safety precautions”.
  - ▶ The “Safety precautions” provide very important points regarding safety. Make sure you follow them.

#### Symbols used in the text

##### **Warning:**


Describes precautions that should be observed to prevent danger of injury or death to the user.


##### **Caution:**


Describes precautions that should be observed to prevent damage to the unit.


#### Symbols used in the illustrations

 : Indicates an action that must be avoided.

 : Indicates that important instructions must be followed.

 : Indicates a part which must be grounded.

 : Beware of electric shock. (This symbol is displayed on the main unit label.)  
<Color: yellow>

 : Beware of hot surface.

##### **Warning:**

**Carefully read the labels affixed to the main unit.**

##### **Warning:**

- If the supply cord is damaged, it must be replaced by the manufacturer, its service agent or similarly qualified persons in order to avoid a hazard.
- This appliance is not intended for use by persons (including children) with reduced physical, sensory or mental capabilities, or lack of experience and knowledge, unless they have been given supervision or instruction concerning use of the appliance by a person responsible for their safety.
- Do not use refrigerant other than the type indicated in the manuals provided with the unit and on the nameplate.
  - Doing so may cause the unit or pipes to burst, or result in explosion or fire during use, during repair, or at the time of disposal of the unit.
  - It may also be in violation of applicable laws.
  - MITSUBISHI ELECTRIC CORPORATION cannot be held responsible for malfunctions or accidents resulting from the use of the wrong type of refrigerant.
- Do not use steel pipes as water pipes.
  - Copper pipes are recommended.
- The water circuit should be a closed circuit.
- Ask the dealer or an authorized technician to install the air conditioner.
  - Improper installation by the user may result in water leakage, electric shock, or fire.
- Install the unit in a place that can withstand its weight.
  - Inadequate strength may cause the unit to fall down, resulting in injuries.
- Do not touch the unit. The unit surface can be hot.
- Do not install the unit where corrosive gas is generated.
- Use the specified cables for wiring. Make the connections securely so that the outside force of the cable is not applied to the terminals.
  - Inadequate connection and fastening may generate heat and cause a fire.
- Prepare for rain and other moisture and earthquakes and install the unit at the specified place.
  - Improper installation may cause the unit to topple and result in injury.
- Always use an strainer and other accessories specified by Mitsubishi Electric.

- Ask an authorized technician to install the accessories. Improper installation by the user may result in water leakage, electric shock, or fire.
- Never repair the unit. If the air conditioner must be repaired, consult the dealer.
  - If the unit is repaired improperly, water leakage, electric shock, or fire may result.
- Do not touch the refrigerant pipes and Water pipes.
  - Improper handling may result in injury.
- When handling this product, always wear protective equipment.  
EG: Gloves, full arm protection namely boiler suit, and safety glasses.
  - Improper handling may result in injury.
- If refrigerant gas leaks during installation work, ventilate the room.
  - If the refrigerant gas comes into contact with a flame, poisonous gases will be released.
- Install the unit according to this Installation Manual.
  - If the unit is installed improperly, water leakage, electric shock, or fire may result.
- Have all electric work done by a licensed electrician according to “Electric Facility Engineering Standard” and “Interior Wire Regulations” and the instructions given in this manual and always use a special circuit.
  - If the power source capacity is inadequate or electric work is performed improperly, electric shock and fire may result.
- Keep the electric parts away from water (washing water etc.).
  - It might result in electric shock, catching fire or smoke.
- Securely install the heat source unit terminal cover (panel).
  - If the terminal cover (panel) is not installed properly, dust or water may enter the heat source unit and fire or electric shock may result.
- When installing and moving the air conditioner to another site, do not charge it with a refrigerant different from the refrigerant (R410A) specified on the unit.
  - If a different refrigerant or air is mixed with the original refrigerant, the refrigerant cycle may malfunction and the unit may be damaged.
- If the air conditioner is installed in a small room, measures must be taken to prevent the refrigerant concentration from exceeding the safety limit even if the refrigerant should leak.
  - Consult the dealer regarding the appropriate measures to prevent the safety limit from being exceeded. Should the refrigerant leak and cause the safety limit to be exceeded, hazards due to lack of oxygen in the room could result.
- When moving and reinstalling the air conditioner, consult the dealer or an authorized technician.
  - If the air conditioner is installed improperly, water leakage, electric shock, or fire may result.
- After completing installation work, make sure that refrigerant gas is not leaking.
  - If the refrigerant gas leaks and is exposed to a fan heater, stove, oven, or other heat source, it may generate noxious gases.
- Do not reconstruct or change the settings of the protection devices.
  - If the pressure switch, thermal switch, or other protection device is shorted and operated forcibly, or parts other than those specified by Mitsubishi Electric are used, fire or explosion may result.
- To dispose of this product, consult your dealer.
- The installer and system specialist shall secure safety against leakage according to local regulation or standards.
  - Following standards may be applicable if local regulation are not available.
- Pay a special attention to the place, such as a basement, etc. where refrigeration gas can stay, since refrigeration is heavier than the air.
- Children should be supervised to ensure that they do not play with the appliance.

### 1.2. Precautions for devices that use R410A refrigerant

##### **Warning:**

- Do not use refrigerant other than the type indicated in the manuals provided with the unit and on the nameplate.
  - Doing so may cause the unit or pipes to burst, or result in explosion or fire during use, during repair, or at the time of disposal of the unit.

- It may also be in violation of applicable laws.
- MITSUBISHI ELECTRIC CORPORATION cannot be held responsible for malfunctions or accidents resulting from the use of the wrong type of refrigerant.

#### ⚠ Caution:

- **Do not use the existing refrigerant piping.**
  - The old refrigerant and refrigerant oil in the existing piping contains a large amount of chlorine which may cause the refrigerant oil of the new unit to deteriorate.
  - R410A is a high-pressure refrigerant and can cause the existing piping to burst.
- **Use refrigerant piping made of C1220 (CU-DHP) phosphorus deoxidized copper as specified in the JIS H3300 "Copper and copper alloy seamless pipes and tubes". In addition, be sure that the inner and outer surfaces of the pipes are clean and free of hazardous sulphur, oxides, dust/dirt, shaving particles, oils, moisture, or any other contaminant.**
  - Contaminants on the inside of the refrigerant piping may cause the refrigerant residual oil to deteriorate.
- **Store the piping to be used during installation indoors and keep both ends of the piping sealed until just before brazing. (Store elbows and other joints in a plastic bag.)**
  - If dust, dirt, or water enters the refrigerant cycle, deterioration of the oil and compressor trouble may result.
- **Use ester oil, ether oil or alkylbenzene (small amount) as the refrigerant oil to coat flares and flange connections.**
  - The refrigerant oil will degrade if it is mixed with a large amount of mineral oil.
- **Use liquid refrigerant to fill the system.**
  - If gas refrigerant is used to seal the system, the composition of the refrigerant in the cylinder will change and performance may drop.
- **Do not use a refrigerant other than R410A.**
  - If another refrigerant (R22, etc.) is mixed with R410A, the chlorine in the refrigerant may cause the refrigerant oil to deteriorate.
- **Use a vacuum pump with a reverse flow check valve.**
  - The vacuum pump oil may flow back into the refrigerant cycle and cause the refrigerant oil to deteriorate.
- **Do not use the following tools that are used with conventional refrigerants. (Gauge manifold, charge hose, gas leak detector, reverse flow check valve, refrigerant charge base, refrigerant recovery equipment)**
  - If the conventional refrigerant and refrigerant oil are mixed in the R410A, the refrigerant may deteriorate.
  - If water is mixed in the R410A, the refrigerant oil may deteriorate.
  - Since R410A does not contain any chlorine, gas leak detectors for conventional refrigerants will not react to it.
- **Do not use a charging cylinder.**
  - Using a charging cylinder may cause the refrigerant to deteriorate.
- **Be especially careful when managing the tools.**
  - If dust, dirt, or water gets in the refrigerant cycle, the refrigerant may deteriorate.

### 1.3. Before getting installed

#### ⚠ Caution:

- **Do not install the unit where combustible gas may leak.**
  - If the gas leaks and accumulates around the unit, an explosion may result.
- **Do not use the air conditioner where food, pets, plants, precision instruments, or artwork are kept.**
  - The quality of the food, etc. may deteriorate.
- **Do not use the air conditioner in special environments.**
  - Oil, steam, sulfuric smoke, etc. can significantly reduce the performance of the air conditioner or damage its parts.
- **When installing the unit in a hospital, communication station, or similar place, provide sufficient protection against noise.**
  - The inverter equipment, private power generator, high-frequency medical equipment, or radio communication equipment may cause the air conditioner to operate erroneously, or fail to operate. On the other hand, the air conditioner may affect such equipment by creating noise that disturbs medical treatment or image broadcasting.
- **Do not install the unit on a structure that may cause leakage.**
  - When the room humidity exceeds 80 % or when the drain pipe is clogged, condensation may drip from the indoor unit. Perform collective drainage work together with the unit, as required.

### 1.4. Before getting installed (moved) - electrical work

#### ⚠ Caution:

- Ground the unit.

## 2. About the product

#### ⚠ Warning:

- **Do not use refrigerant other than the type indicated in the manuals provided with the unit and on the nameplate.**
  - Doing so may cause the unit or pipes to burst, or result in explosion or fire during use, during repair, or at the time of disposal of the unit.
  - It may also be in violation of applicable laws.

- Do not connect the ground wire to gas or water pipes, lightning rods, or telephone ground lines. Improper grounding may result in electric shock.
- **Install the power cable so that tension is not applied to the cable.**
  - Tension may cause the cable to break and generate heat and cause a fire.
- **Install a leak circuit breaker, as required.**
  - If a leak circuit breaker is not installed, electric shock may result.
- **Use power line cables of sufficient current carrying capacity and rating.**
  - Cables that are too small may leak, generate heat, and cause a fire.
- **Use only a circuit breaker and fuse of the specified capacity.**
  - A fuse or circuit breaker of a larger capacity or a steel or copper wire may result in a general unit failure or fire.
- **Do not wash the air conditioner units.**
  - Washing them may cause an electric shock.
- **Be careful that the installation base is not damaged by long use.**
  - If the damage is left uncorrected, the unit may fall and cause personal injury or property damage.
- **Install the drain piping according to this Installation Manual to ensure proper drainage. Wrap thermal insulation around the pipes to prevent condensation.**
  - Improper drain piping may cause water leakage and damage to furniture and other possessions.
- **Be very careful about product transportation.**
  - Only one person should not carry the product if it weighs more than 20 kg.
  - Some products use PP bands for packaging. Do not use any PP bands for a means of transportation. It is dangerous.
  - When transporting the unit, support it at the specified positions on the unit base. Also support the unit at four points so that it cannot slip side ways.
- **Safely dispose of the packing materials.**
  - Packing materials, such as nails and other metal or wooden parts, may cause stabs or other injuries.
  - Tear apart and throw away plastic packaging bags so that children will not play with them. If children play with a plastic bag which was not torn apart, they face the risk of suffocation.

### 1.5. Before starting the test run

#### ⚠ Caution:

- **Error code "7130" appears when both of the following conditions are met.**
  - The PWFY unit is connected to the outdoor unit of Y series.
  - The version of the software is the one listed below.
    - PWFY series: earlier than Ver. 1.13
    - Y(YHM) series: earlier than Ver. 12.27
    - Y(YJM) series: earlier than Ver. 1.31
    - Replace Y(YJM) series: earlier than Ver. 11.31
    - HP(ZUBADAN) series: earlier than Ver. 22.27
    - WY series: earlier than Ver. 12.29
- **Turn on the power at least 12 hours before starting operation.**
  - Starting operation immediately after turning on the main power switch can result in severe damage to internal parts. Keep the power switch turned on during the operational season.
- **Do not touch the switches with wet fingers.**
  - Touching a switch with wet fingers can cause electric shock.
- **Do not touch the refrigerant pipes during and immediately after operation.**
  - During and immediately after operation, the refrigerant pipes are may be hot and may be cold, depending on the condition of the refrigerant flowing through the refrigerant piping, compressor, and other refrigerant cycle parts. Your hands may suffer burns or frostbite if you touch the refrigerant pipes.
- **Do not operate the air conditioner with the panels and guards removed.**
  - Rotating, hot, or high-voltage parts can cause injuries.
- **Do not turn off the power immediately after stopping operation.**
  - Always wait at least five minutes before turning off the power. Otherwise, water leakage and trouble may occur.
- **Do not touch the surface of the compressor during servicing.**
  - If unit is connected to the supply and not running, crank case heater at compressor is operating.
- **Do not touch the panels near the fan exhaust outlet with bare hands: they can get hot while the unit is in operation (even if it is stopped) or immediately after operation and poses a risk of burns. Wear gloves to protect your hands when it is necessary to touch the panels.**
- **While the unit is in operation or immediately after operation, high-temperature exhaust air may blow out of the fan exhaust outlet. Do not hold your hands over the outlet or touch the panels near the outlet.**
- **Be sure to provide a pathway for the exhaust air from the fan.**
- **Water pipes can get very hot, depending on the preset temperature. Wrap the water pipes with insulating materials to prevent burns.**

- MITSUBISHI ELECTRIC CORPORATION cannot be held responsible for malfunctions or accidents resulting from the use of the wrong type of refrigerant.
- This unit uses R410A-type refrigerant.
- Piping for systems using R410A may be different from that for systems using conventional refrigerant because the design pressure in systems using R410A is higher. Refer to Data Book for more information.

- Some of the tools and equipment used for installation with systems that use other types of refrigerant cannot be used with the systems using R410A. Refer to Data Book for more information.
- Do not use the existing piping, as it contains chlorine, which is found in conventional refrigerating machine oil and refrigerant. This chlorine will deteriorate the

refrigerant machine oil in the new equipment. The existing piping must not be used as the design pressure in systems using R410A is higher than that in the systems using other types of refrigerant and the existing pipes may burst.

## 3. Specifications

### ⚠ Warning:

Do not use refrigerant other than the type indicated in the manuals provided with the unit and on the nameplate.

- Doing so may cause the unit or pipes to burst, or result in explosion or fire during use, during repair, or at the time of disposal of the unit.
- It may also be in violation of applicable laws.
- MITSUBISHI ELECTRIC CORPORATION cannot be held responsible for malfunctions or accidents resulting from the use of the wrong type of refrigerant.

Model	PWFY-P100VM-E-BU	PWFY-P100VM-E1-AU	PWFY-P200VM-E1-AU
Sound level	44dB<A>	29dB<A>	29dB<A>
Refrigerant	R134a × 1.1 kg	-	-
Net weight	60 kg	35 kg	38 kg
Design pressure	R410A MPa	4.15	4.15
	R134a MPa	3.60	-
	Water MPa	1.00	1.00
Connectable Outdoor unit	Total capacity	50~100 % of outdoor unit capacity	Connectable to only one outdoor unit
	Model/Quantity	R2, Replace R2 series, WR2 series only	Y, Replace Y series, HP(ZUBADAN) series, WY series, R2, Replace R2 series, WR2 series
Temp. range of Heating	Outdoor temp.	-20~32 °CWB (59~90 °F)	-20~32 °CWB (-4~90 °F) PURY - series -20~15.5 °CWB (-4~60 °F) PUHY - series
	Inlet Water temp.	10~70 °C (50~158 °F)	10~40 °C (50~104 °F)
Temp. range of Cooling	Outdoor temp.	-	-5~43 °CDB (23~110 °F) PURY - series -5~43 °CDB (23~110 °F) PUHY - series
	Inlet Water temp.	-	10~35 °C (50~95 °F)

## 4. Confirmation of parts attached

- ① Strainer      ② Heat insulation material      ③ Connector sets × 2      ④ Expansion joint × 2 (PWFY-P200VM-E1-AU)      ⑤ Wire      ⑥ Flow switch (PWFY-P100/P200VM-E1-AU)

## 5. Lifting method

### ⚠ Caution:

Be very careful when carrying the product.

- Do not have only one person to carry product if it is more than 20 kg.
- PP bands are used to pack some products. Do not use them as a mean for transportation because they are dangerous.
- Tear plastic packaging bag and scrap it so that children cannot play with it. Otherwise plastic packaging bag may suffocate children to death.

## 6. Installation of unit and service space

### 6.1. Installation

- Using the anchoring holes shown below, firmly bolt the unit to the base.

[Fig. 6.1.1] (P.2)

- Ⓐ 4-φ14 (Anchoring hole)      Ⓑ (Top view)

#### Bases

- Be sure to install unit in a place strong enough to withstand its weight. If the base is unstable, reinforce with a concrete base.
- The unit must be anchored on a level surface. Use a level to check after installation.
- If the unit is installed near a room where noise is a problem, using an anti-vibration stand on the base of the unit is recommended.

### ⚠ Warning:

- Be sure to install unit in a place strong enough to withstand its weight. Any lack of strength may cause unit to fall down, resulting in a personal injury.
- Have installation work in order to protect against earthquake. Any installation deficiency may cause unit to fall down, resulting in a personal injury.

### 6.2. Service space

- Please allow for the following service spaces after installation. (All servicing can be performed from the front of the unit)

[Fig. 6.2.1] (P.2)

Model	a	b	c
PWFY-P100VM-E-BU	400	300	600
PWFY-P100VM-E1-AU	400	300	600
PWFY-P200VM-E1-AU	400	300	600

- Ⓐ Piping space (right side)      Ⓑ Top view  
Ⓒ Service space (front side)

## 7. Water pipe installation

- Before a long period of non use, purge the water out of the pipes and thoroughly let them dry.
- Use a closed water circuit.
- When the unit is in cooling mode, add brine to the circulating water to prevent it from freezing.
- To use brine in the system, DipSW 1-10 must be set to ON.
- When installed in a low-ambient temperature environment, keep the water circulating at all times. If that is not possible, purge the water out of the pipes completely or fill the water pipes with brine.
- Do not use the water used for this unit for drinking or food manufacturing.

- Do not use steel pipes as water pipes.

Model	Water inlet	Water outlet
PWFY-P100VM-E-BU	PT 3/4 Screw	PT 3/4 Screw
PWFY-P100VM-E1-AU	PT 3/4 Screw	PT 3/4 Screw
PWFY-P200VM-E1-AU *1 When the attached expansion joints are installed.	PT 1 Screw*1	PT 1 Screw*1

## 7.1. Precautions during installation

- Use the reverse-return method to insure proper pipe resistance to each unit.
- To insure easy maintenance, inspection, and replacement of the unit, use a proper joint, valve, etc. on the water intake and outlet port. In addition, be sure to install a strainer on the water intake pipe. (In order to maintain the unit, a strainer on the circulating water inlet is necessary.)
- Install a suitable air vent on the water pipe. After sending water through the pipe, be sure to vent the excess air.
- Condensed water may form in the low-temperature sections of unit. Use a drainage pipe connected to the drain valve at the base of the unit to drain the water.
- Install a back flow-prevention valve on the pump and a flexible joint to prevent excess vibration.
- Use a sleeve to protect the pipes where they go through a wall.
- Use metal fittings to secure the pipes, and install them so that they have maximum protection against breakage and bending.
- Do not confuse the water intake and outlet valves.
- This unit doesn't have any heater to prevent freezing within tubes. When the water flow is stopped on low ambient, take out the water from tubes.
- The unused knockout holes should be closed and the opening of refrigerant pipes, water pipes, power source and transmission wires should be filled with putty and so on to prevent from water.
- Install the strainer at the angle of 45° or less as shown in [Fig.7.1.2].
- Wrap some sealing tape around the screw part to prevent water leakage.
- Wrap the sealing tape as follows.
  - ① Wrap the joint with sealing tape in the direction of the threads (clockwise), and do not let the tape run over the edge.
  - ② Overlap the sealing tape by two-thirds to three-fourths of its width on each turn. Press the tape with your fingers so that it is pressed firmly against each thread.
  - ③ Leave the 1.5th through 2nd farthest threads away from the pipe end unwrapped.
- Install the supplied strainer at the water inlet.
- Hold the pipe on the unit side in place with a spanner when installing the pipes or strainer. Tighten screws to a torque of 50 N·m.
- Water pipes can get very hot, depending on the preset temperature. Wrap the water pipes with insulating materials to prevent burns.

- On the PWFY-P200VM-E1-AU model, install the expansion joint (accessory) at the inlet after installing the strainer, and outlet.

### Example of unit installation (using water piping)

[Fig. 7.1.1] (P.2)

- |                     |                        |
|---------------------|------------------------|
| (A) Close valve     | (B) Water inlet        |
| (C) Water outlet    | (D) Refrigerant piping |
| (E) Y-type strainer | (F) Drain pipe         |
| (G) Expansion joint |                        |

## 7.2. Insulation installation

The surface temperature of the water pipe would be very high, depending on the set temperature. Insulate the pipe to prevent burns. When operating PWFY-P100/P200VM-E1-AU with cold water, insulate the water pipe to prevent condensation. Wrap insulation material around water pipes as shown in [Fig. 7.2.1].

- Any heat source piping.
- Indoor piping in cold-weather regions where frozen pipes are a problem.
- When air coming from the outside causes condensation to form on piping.
- Any drainage piping.

[Fig. 7.2.1] (P.2)

- |  |
|--|
| (A) Heat insulation material (accessory) |
| (B) Inject with caulking material        |

## 7.3. Water processing and water quality control

To preserve water quality, use the closed type water circuit. When the circulating water quality is poor, the water heat exchanger can develop scales, leading to a reduction in heat-exchange power and possible corrosion of the heat exchanger. Please pay careful attention to water processing and water quality control when installing the water circulation system.

- Removal of foreign objects or impurities within the pipes.  
During installation, be careful that foreign objects, such as welding fragments, sealant particles, or rust, do not enter the pipes.
- Water Quality Processing
  - ① Depending on the quality of the water, the copper piping of the heat exchanger may become corroded. We recommend regular water quality processing. Water circulation systems using open heat storage tanks are particularly prone to corrosion. When using an open-type heat storage tank, install a water-to-water heat exchanger, and use a closed-loop circuit on the air conditioner side. If a water supply tank is installed, keep contact with air to a minimum, and keep the level of dissolved oxygen in the water no higher than 1mg/l.

### ② Water quality standard

Items		Lower mid-range temperature water system Water Temp. ≤ 60 °C		Higher mid-range temperature water system Water Temp. > 60 °C		Tendency	
		Recirculating water	Make-up water	Recirculating water	Make-up water	Corrosive	Scale-forming
Standard items	pH (25 °C)	7.0 ~ 8.0	7.0 ~ 8.0	7.0 ~ 8.0	7.0 ~ 8.0	○	○
	Electric conductivity (mS/m) (25 °C) (μ s/cm) (25 °C)	30 or less [300 or less]	30 or less [300 or less]	30 or less [300 or less]	30 or less [300 or less]	○	○
	Chloride ion (mg Cl/l)	50 or less	50 or less	30 or less	30 or less	○	
	Sulfate ion (mg SO <sub>4</sub> <sup>2-</sup> /l)	50 or less	50 or less	30 or less	30 or less	○	
	Acid consumption (pH4.8) (mg CaCO <sub>3</sub> /l)	50 or less	50 or less	50 or less	50 or less		○
	Total hardness (mg CaCO <sub>3</sub> /l)	70 or less	70 or less	70 or less	70 or less		○
	Calcium hardness (mg CaCO <sub>3</sub> /l)	50 or less	50 or less	50 or less	50 or less		○
Reference items	Ionic silica (mg SiO <sub>2</sub> /l)	30 or less	30 or less	30 or less	30 or less		○
	Iron (mg Fe/l)	1.0 or less	0.3 or less	1.0 or less	0.3 or less	○	○
	Copper (mg Cu/l)	1.0 or less	1.0 or less	1.0 or less	1.0 or less	○	
	Sulfide ion (mg S <sup>2-</sup> /l)	not to be detected	not to be detected	not to be detected	not to be detected	○	
	Ammonium ion (mg NH <sub>4</sub> <sup>+</sup> /l)	0.3 or less	0.1 or less	0.1 or less	0.1 or less	○	
	Residual chlorine (mg Cl/l)	0.25 or less	0.3 or less	0.1 or less	0.3 or less	○	
	Free carbon dioxide (mg CO <sub>2</sub> /l)	0.4 or less	4.0 or less	0.4 or less	4.0 or less	○	
Ryzner stability index	-	-	-	-	○	○	

Reference : Guideline of Water Quality for Refrigeration and Air Conditioning Equipment. (JRA GL02E-1994)

- ③ Please consult with a water quality control specialist about water quality control methods and water quality calculations before using anti-corrosive solutions for water quality management.
- ④ When replacing a previously installed air conditioning device (even when only the heat exchanger is being replaced), first conduct a water quality analysis and check for possible corrosion. Corrosion can occur in cold-water systems even if there has been no prior signs of corrosion. If the water quality level has dropped, please adjust water quality sufficiently before replacing the unit.



## 7.4. Pump interlock

To perform test run before the pump interlock circuit is completed, short circuit the terminal block TB142A (IN1), and then perform test run.

The unit may become damaged if it is operated with no water circulating through the pipes.

### <PWFY-P100VM-E-BU>

Be sure to interlock unit operation and the water-circuit pump. Use the terminal blocks for interlocking TB142A (IN1) that can be found on the unit.

[Fig. 7.4.1] (P.2)

### <PWFY-P100/200VM-E1-AU>

#### <Pump interlock>

In the system including PWFY-P100/P200VM-E1-AU, the circulating water may freeze, and result in a unit malfunction. Perform the electrical work as shown in [Fig. 7.4.2] to prevent water from freezing.

#### <Flow switch>

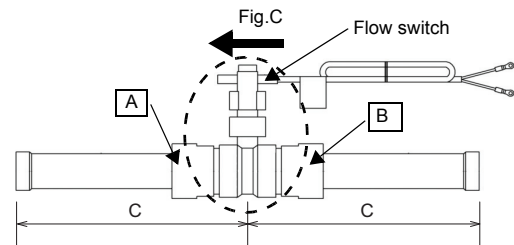
When installing the unit, be sure to install the supplied flow switch on the water outlet side of the unit and connect the wire to IN1 of TB142A on the unit.

**If the flow switch is not installed, the unit will emit the error signal (2100: Interlock error) and not operate.**

\* A short-circuit wire is supplied, but it is only for test run.

<Installation procedures>

- ① Remove the pipes attached to the flow switch.  
**Note: The unit is shipped with the pipes loosely tightened.**
- ② Wrap seal tape around the threads at the end of the pipes, starting at the 1.5th or 2nd thread, and not over the openings. Apply two to three wraps in the direction of the pipe threads (clockwise). Each course of the tape should overlap the one before it by 2/3 to 3/4 the width of the tape. Run your fingers around the threads and tape to press the tape into the threads.  
**Then, attach the pipes to the flow switch, holding parts A and B with a spanner. The maximum tightening torque is 60 N·m (611 kgf·cm).**
- ③ Attach the flow switch and pipes to the water outlet in the horizontal position.  
**The angle of the axis of the pipe should be less than 45 degrees.**  
**Check the direction of the flow switch as shown in Fig. C.**
- ④ Connect the flow switch wire to IN1 of TB142A.



	C
PWFY-P100VM-E1-AU	175 mm
PWFY-P200VM-E1-AU	205 mm

Set the DipSW as shown in the table below.

DipSW3-6	External output contact
ON	Effective when Thermo-ON
OFF	Effective when Operation-ON (Remote controller-ON)

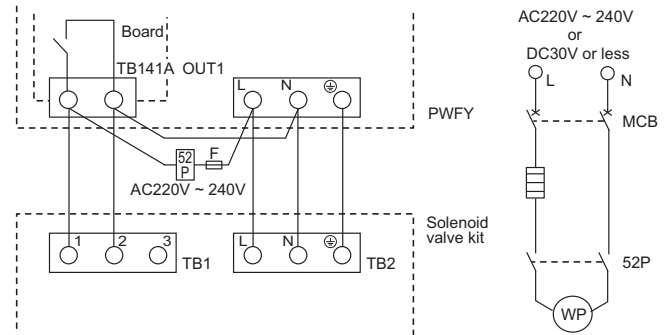
Be sure to turn on the power supply of the pump, since the control does not work if the power supply of the pump is turned off.

### <PAC-SV01PW-E>

Connect the wiring as shown in [Fig. 7.4.3] when interlocking the pump operation with other units AND connecting a Solenoid valve kit (PAC-SV01PW-E) to a system that includes Y-series, HP(ZUBADAN)-series outdoor units, indoor units, and PWFY-P100/P200VM-E1-AU.

Set Dip SW3-6 to ON. Make sure the version of the software is 1.18 or later.

[Fig. 7.4.3]



F: Fuze  
52P: Magnetic contactor for heat source water pump

MCB: Circuit breaker  
WP: Water pump

## 8. Refrigerant pipe and drain pipe specifications

To avoid dew drops, provide sufficient antisweating and insulating work to the refrigerant and drain pipes.

When using commercially available refrigerant pipes, be sure to wind commercially available insulating material (with a heat-resisting temperature of more than 100 °C

- ① Select the thickness of insulating material by pipe size.

Model	PWFY-P100VM-E-BU	PWFY-P100VM-E1-AU	PWFY-P200VM-E1-AU
Gas	ø15.88	ø15.88	ø19.05
Liquid	ø9.52	ø9.52	ø9.52
Drain	ø32		
Insulating material's thickness	More than 10 mm		

- ② If the unit is used on the highest story of a building and under conditions of high temperature and humidity, it is necessary to use pipe size and insulating material's thickness more than those given in the table above.

and thickness given below) onto both liquid and gas pipes.

Be also sure to wind commercially available insulating material (with a form polyethylene's specific gravity of 0.03 and thickness given below) onto all pipes which pass through rooms.

- ③ If there are customer's specifications, simply follow them.

### 8.1. Refrigerant pipe, drain pipe and filling port

[Fig. 8.1.1] (P.3)

- Ⓐ Refrigerant piping (gas)
  - Ⓑ Refrigerant piping (liquid)
  - Ⓒ Water inlet
  - Ⓓ Water outlet
  - Ⓔ Drain outlet
- \*1: PWFY-P100/200VM-E1-AU

## 9. Connecting refrigerant pipes and drain pipes

### 9.1. Refrigerant piping work

This piping work must be done in accordance with the installation manuals for both outdoor unit and BC controller (simultaneous cooling and heating series R2).

- Series R2 is designed to operate in a system that the refrigerant pipe from an outdoor unit is received by BC controller and branches at the BC controller to connect between indoor units.
- For constraints on pipe length and allowable difference of elevation, refer to the outdoor unit manual.
- The method of pipe connection is brazing connection.

### ⚠ Caution:

- Install the refrigerant piping for the indoor unit in accordance with the following.

1. Cut the tip of the indoor unit piping, remove the gas, and then remove the brazed cap.

[Fig. 9.1.1] (P.3)

- Ⓐ Cut here
- Ⓑ Remove brazed cap

2. Pull out the thermal insulation on the site refrigerant piping, braze the unit piping, and replace the insulation in its original position.  
Wrap the piping with insulating tape.

#### Note:

- Pay strict attention when wrapping the copper piping since wrapping the piping may cause condensation instead of preventing it.
- \* Before brazing the refrigerant piping, always wrap the piping on the main body, and the thermal insulation piping, with damp cloths to prevent heat shrinkage and burning the thermal insulation tubing. Take care to ensure that the flame does not come into contact with the main body itself.

[Fig. 9.1.2] (P.3)

- Ⓐ Thermal insulation
- Ⓑ Pull out insulation
- Ⓒ Wrap with damp cloth
- Ⓓ Return to original position
- Ⓔ Ensure that there is no gap here
- Ⓕ Wrap with insulating tape

## Cautions On Refrigerant Piping

- ▶ Be sure to use non-oxidative brazing for brazing to ensure that no foreign matter or moisture enter into the pipe.
- ▶ Be sure to apply refrigerating machine oil over the flare connection seating surface and tighten the connection using a double spanner.
- ▶ Provide a metal brace to support the refrigerant pipe so that no load is imparted to the indoor unit end pipe. This metal brace should be provided 50 cm away from the indoor unit's flare connection.

### ⚠ Warning:

- Do not use refrigerant other than the type indicated in the manuals provided with the unit and on the nameplate.
  - Doing so may cause the unit or pipes to burst, or result in explosion or fire during use, during repair, or at the time of disposal of the unit.
  - It may also be in violation of applicable laws.
  - MITSUBISHI ELECTRIC CORPORATION cannot be held responsible for malfunctions or accidents resulting from the use of the wrong type of refrigerant.
- When installing and moving the unit, do not charge it with refrigerant other than the refrigerant (R407C or R22) specified on the unit.
  - Mixing of a different refrigerant, air, etc. may cause the refrigerant cycle to malfunction and result in severe damage.

### ⚠ Caution:

- Use refrigerant piping made of C1220 (CU-DHP) phosphorus deoxidized copper as specified in the JIS H3300 "Copper and copper alloy seamless pipes and tubes". In addition, be sure that the inner and outer surfaces of the pipes are clean and free of hazardous sulphur, oxides, dust/dirt, shaving particles, oils, moisture, or any other contaminant.
- Never use existing refrigerant piping.
  - The large amount of chlorine in conventional refrigerant and refrigerator oil in the existing piping will cause the new refrigerant to deteriorate.
- Store the piping to be used during installation indoors and keep both ends of the piping sealed until just before brazing.
  - If dust, dirt, or water gets into the refrigerant cycle, the oil will deteriorate and the compressor may fail.

## 10. Electrical wiring

### Precautions on electrical wiring

#### ⚠ Warning:

Electrical work should be done by qualified electrical engineers in accordance with "Engineering Standards For Electrical Installation" and supplied installation manuals. Special circuits should also be used. If the power circuit lacks capacity or has an installation failure, it may cause a risk of electric shock or fire.

1. Be sure to take power from the special branch circuit.
2. Be sure to install an earth leakage breaker to the power.
3. Install the unit to prevent that any of the control circuit cables (remote controller, transmission cables, or external input/output line) is brought in direct contact with the power cable outside the unit.
4. Ensure that there is no slack on all wire connections.
5. Some cables (power, remote controller, transmission cables, or external input/output line) above the ceiling may be bitten by mouses. Use as many metal pipes as possible to insert the cables into them for protection.

## 9.2. Drain piping work

1. Ensure that the drain piping is downward (pitch of more than 1/100) to the outdoor (discharge) side. Do not provide any trap or irregularity on the way. (①)
2. Ensure that any cross-wise drain piping is less than 20 m (excluding the difference of elevation). If the drain piping is long, provide metal braces to prevent it from waving. Never provide any air vent pipe. Otherwise drain may be ejected.
3. Use a hard vinyl chloride pipe VP-25 (with an external diameter of 32 mm) for drain piping.
4. Ensure that collected pipes are 10 cm lower than the unit body's drain port as shown in ②.
5. Do not provide any odor trap at the drain discharge port.
6. Put the end of the drain piping in a position where no odor is generated.
7. Do not put the end of the drain piping in any drain where ionic gases are generated.

[Fig. 9.2.1] (P. 3)

- Ⓐ Downward slope 1/100 or more
- Ⓑ Drain hose
- Ⓒ Unit
- Ⓓ Collective piping
- Ⓔ Maximize this length to approx. 10 cm

## 9.3. Connecting electrical connections

Verify that the model name on the operating instructions on the cover of the control box is the same as the model name on the nameplate.

#### Step 1

Remove the screws holding the terminal box cover in place.

[Fig. 9.3.1] (P. 3)

- Ⓐ Screws
- Ⓑ Front panel
- Ⓒ Control box

#### Note:

Ensure that the wiring is not pinched when fitting the terminal box cover. Pinching the wiring may cut it.

### ⚠ Caution:

Install wiring so that it is not tight and under tension. Wiring under tension may break, or overheat and burn.

- Fix power source external input/output line wiring to control box by using buffer bushing for tensile force to prevent electric shock. (PG connection or the like.) Connect transmission wiring to transmission terminal block through the knockout hole of control box using ordinary bushing.
- After wiring is complete, make sure again that there is no slack on the connections, and attach the cover onto the control box in the reverse order removal.

[Fig. 9.3.2] (P. 3)

- Ⓐ To prevent external tensile force from applying to the wiring connection section of power source terminal block use buffer bushing like PG connection or the like.
- Ⓑ External signal input cable
- Ⓒ External signal output cable
- Ⓓ Power source wiring
- Ⓔ Tensile force
- Ⓕ Use ordinary bushing
- Ⓖ Transmission cable and MA remote controller cable

### ⚠ Caution:

Wire the power supply so that no tension is imparted. Otherwise disconnection, heating or fire result.

6. Never connect the power cable to leads for the transmission cables. Otherwise the cables would be broken.
7. Be sure to connect control cables to the indoor unit, remote controller, and the outdoor unit.
8. Be sure to ground the unit.
9. Select control cables from the conditions given in page 11.

### ⚠ Caution:

Be sure to put the unit to the ground on the outdoor unit side. Do not connect the earth cable to any gas pipe, water pipe, lightning rod, or telephone earth cable. Incomplete grounding may cause a risk of electric shock.

## Types of control cables

### 1. Wiring transmission cables

- Types of transmission cables  
Design wiring in accordance with the following table <Table 1>.
- Be sure to use cables supplied with supplementary insulation.

**1. Transmission cables**  
PWFY-P100VM-E-BU

	Transmission cables	MA Remote controller cables	External input	External output
Type of cable	Shielding wire (2-core) CVVS, CPEVS or MVVS	Sheathed 2-core cable (shielded) CVVS	Sheathed multi-core cable (shielded) CVVS or MVVS	Sheathed multi-core cable (shielded) CVVS or MVVS
Cable diameter	More than 1.25 mm <sup>2</sup>	0.3 ~ 1.25 mm <sup>2</sup> (0.75 ~ 1.25 mm <sup>2</sup> )*1	0.3 ~ 0.5 mm <sup>2</sup>	0.3 ~ 1.25 mm <sup>2</sup>
Remarks	-	Max.length: 200 m	Max.length: 100 m	Rated voltage: L1-N: 220 ~ 240 V Rated load: 0.6 A

PWFY-P100/200VM-E1-AU

	Transmission cables	MA Remote controller cables	External input	External output
Type of cable	Shielding wire (2-core) CVVS, CPEVS or MVVS	Sheathed 2-core cable (shielded) CVVS	Sheathed multi-core cable (shielded) CVVS or MVVS	Sheathed multi-core cable (shielded) CVVS or MVVS
Cable diameter	More than 1.25 mm <sup>2</sup>	0.3 ~ 1.25 mm <sup>2</sup> (0.75 ~ 1.25 mm <sup>2</sup> )*1	0.3 ~ 0.5 mm <sup>2</sup>	0.3 ~ 1.25 mm <sup>2</sup>
Remarks	-	Max.length: 200 m	Max.length: 100 m	Rated voltage: L1-N: 220 ~ 240 V Rated load: 0.6 A

\*1 Connected with simple remote controller. CVVS, MVVS : PVC insulated PVC jacketed shielded control cable  
CVV, MVV : PVC insulated PVC sheathed control cable  
CPEVS : PE insulated PVC jacketed shielded communication cable

## 10.1. Power supply wiring

- Power supply cords of appliances shall not be lighter than design 245 IEC 57 or 227 IEC 57.
- A switch with at least 3 mm contact separation in each pole shall be provided by the Air conditioner installation.

## ELECTRICAL WORK

### 1. Electrical characteristics

Model	Power supply				Compressor		RLA (A)
	Hz	Volts	Voltage range	MCA (A)	Output (kW)	SC (A)	Heating
PWFY-P100VM-E-BU	50/60	220-230-240 V	Max. 264 V Min. 198 V	15.71	1.0	1.25	11.63-11.12-10.66

Model	Power supply				RLA (A)	
	Hz	Volts	Voltage range	MCA (A)	Cooling	Heating
PWFY-P100VM-E1-AU PWFY-P200VM-E1-AU	50/60	220-230-240 V	Max. 264 V Min. 198 V	0.085	0.068-0.065-0.063	

### 2. Power cable specifications

Model	Minimum wire thickness (mm <sup>2</sup> )			Breaker for current leakage	Local switch (A)		Breaker for wiring (NFB) (A)
	Main cable	branch	Ground		capacity	fuse	
PWFY-P100VM-E-BU	2.5	-	2.5	30 A 30 mA 0.1 sec or less	25	25	30

Model	Total operating current	Minimum wire thickness (mm <sup>2</sup> )			Breaker for current leakage	Local switch (A)		Breaker for wiring (NFB) (A)
		16 A or less	25 A or less	32 A or less		capacity	fuse	
PWFY-P100VM-E1-AU PWFY-P200VM-E1-AU		1.5	2.5	4.0	20 A 30 mA 0.1 sec. or less	16	16	20
		2.5	2.5	2.5	30 A 30 mA 0.1 sec. or less	25	25	30
		4.0	4.0	4.0	40 A 30 mA 0.1 sec. or less	32	32	40

[Fig. 10.1.1] (P. 4)

- Ⓐ Breaker for current leakage
- Ⓑ Local switch or breakers for wiring
- Ⓒ PWFY-P100VM-E-BU
- Ⓓ PWFY-P100/200VM-E1-AU
- Ⓔ Pull box

#### ⚠ Caution:

Do not use anything other than the correct capacity breaker and fuse. Using fuse, wire or copper wire with too large capacity may cause a risk of malfunction or fire.

## 10.2. Connecting remote controller, indoor and outdoor transmission cables

(Remote controller is optionally available.)

- Connect unit TB5 and outdoor unit TB3. (Non-polarized 2-wire (shield))  
The "S" on unit TB5 is a shielding wire connection. For specifications about the connecting cables, refer to the outdoor unit installation manual.
- Install a remote controller following the manual supplied with the remote controller.
- Connect the "1" and "2" on unit TB15 to a MA remote controller. (Non-polarized 2-wire)

[Fig. 10.2.1] (P.4) MA Remote controller

- DC 10 to 13 V between 1 and 2 (MA remote controller)

[Fig. 10.2.2] (P.4) MA Remote controller

- The MA remote controller cannot be used at the same time or interchangeably.
  - Ⓐ Non-polarized
  - Ⓑ TB15 (MA remote controller cables)
  - Ⓒ MA remote Controller
  - Ⓓ TB5 (Transmission cables)
  - Ⓔ TB2 (Power supply wiring)

#### Note:

Ensure that the wiring is not pinched when fitting the terminal box cover. Pinching the wiring may cut it.

#### ⚠ Caution:

- Use wire with supplemental insulation.
- Input to TB142A, TB142B, and TB142C should not carry voltage.
- Cables from equipment connected to external input/output should have supplemental insulation.
- Use a single multiple-core cable for external input/output to allow for connection to the PG screw.

#### ⚠ Caution:

Wire the power supply so that no tension is imparted. Otherwise disconnection, heating or fire result.

## 10.3. External input/output function

### Preset temperature input (external analog input: 4mA-20mA)

External input is input through CN421, CN422 on the circuit board. (Fig. 10.3.1)  
Use the supplied connector.

If no temperature settings are made via the MA remote controller, the temperature changes with the current.

Refer to the instructions manual that came with the MA remote controller for how to make the settings.

4 mA → 10 °C      20 mA → 70 °C

#### Note:

Use a 4-20 mA signal output device with insulation.

### External output terminal

External output terminal (refer to Fig. 10.3.2) is ineffective when the circuit is open. Refer to Table 10.3.2 for information about each contact.

The current and voltage in the circuit to be connected to external output terminal (TB141A OUT1) must meet the following conditions.

		Contact rating current
Contact rating voltage	AC250V	1A or less
	AC125V	3A or less
	DC30V	3A or less

Table 10.3.2

OUT1	Operation ON/OFF
OUT2	Defrost
OUT3	Compressor
OUT4	Error signal

### External input terminal

The wire length must be within 100 m.

External input terminal (refer to Fig. 10.3.3) is ineffective when the circuit is open. Refer to Table 10.3.3 through Table 10.3.5 for information about each contact.

Only the "pump interlock" function is ineffective when the circuit is short-circuited.

Connect a relay circuit to the external output terminal as shown in Fig. 7.4.1.

The specifications of the relay circuit to be connected must meet the following conditions.

Contact rating voltage  $\geq$  DC15V

Contact rating current  $\geq$  0.1A

Minimum applicable load  $\leq$  1mA at DC

Table 10.3.3

<PWFY-P100VM-E-BU>

TB142A

IN1	Pump interlock
-----	----------------

<PWFY-P100/200VM-E1-AU>

TB142A

IN1	Flow switch
-----	-------------

Table 10.3.4

TB142B

IN3	Connection demand
IN4	Operation ON/OFF

Table 10.3.5

TB142C

COM+	Common
IN5*1	Hot Water/Heating
IN6*2	Heating ECO
IN7*3	Anti-freeze

\*1 PWFY-P100VM-E-BU Hot Water

PWFY-P100/200VM-E1-AU Heating

\*2 Effective when SW 4-3 is set to ON.

\*3 Effective when SW 4-4 is set to ON.

\*4 When setting Heating ECO or Anti-freeze mode, reset all power supply of all units (outdoor/indoor units).

## 10.4. Setting addresses

(Be sure to operate with the main power turned OFF.)

[Fig. 10.4.1] (P. 4)

<Address board>

- There are two types of rotary switch setting available: setting addresses 1 to 9 and over 10, and setting branch numbers.

① How to set addresses

Example: If Address is "3", remain SWU2 (for over 10) at "0", and match SWU1 (for 1 to 9) with "3".

② How to set branch numbers SWU3 (Series R2 only)

Match the indoor unit's refrigerant pipe with the BC controller's end connection number. Remain other than R2 at "0".

- The rotary switches are all set to "0" when shipped from the factory. These switches can be used to set unit addresses and branch numbers at will.
- The determination of indoor unit addresses varies with the system at site. Set them referring to the DATA BOOK.

## 11. Information on rating plate

### ⚠ Warning:

Do not use refrigerant other than the type indicated in the manuals provided with the unit and on the nameplate.

- Doing so may cause the unit or pipes to burst, or result in explosion or fire during use, during repair, or at the time of disposal of the unit.
- It may also be in violation of applicable laws.
- MITSUBISHI ELECTRIC CORPORATION cannot be held responsible for malfunctions or accidents resulting from the use of the wrong type of refrigerant.

Model	PWFY-P100VM-E-BU	PWFY-P100VM-E1-AU	PWFY-P200VM-E1-AU
Refrigerant (kg)	R134a 1.1	-	-
Allowable pressure (MPa)	R410A 4.15	4.15	4.15
	R134a 3.60	-	-
	water 1.0	1.0	1.0
Net weight (kg)	60	35	38

# Inhalt

1. Sicherheitsvorkehrungen .....	13	7.2. Anbringung der Isolierung .....	16
1.1. Vor Installations- und Elektroarbeiten .....	13	7.3. Wasserbehandlung und Kontrolle der Wasserqualität .....	17
1.2. Vorkehrungen für Geräte, die das Kältemittel R410A verwenden .....	14	7.4. Pumpenverriegelung .....	17
1.3. Vor der Aufstellung .....	14	8. Technische Daten der Kältemittel- und Kondensatablaufführung .....	18
1.4. Vor dem Einbau (der Ortsveränderung) - Elektroarbeiten .....	14	8.1. Kältemittelrohr, Kondensatablaufröhre und Einfüllöffnung .....	18
1.5. Vor Installationsbeginn .....	15	9. Kältemittel- und Kondensatableitungen anschließen .....	18
2. Produktinformationen .....	15	9.1. Verrohrung der Kältemittelleitung .....	18
3. Technische Daten .....	15	9.2. Verrohrung des Kondensatablaufs .....	19
4. Bestätigung von Anschlussteilen .....	15	9.3. Vornahme der Elektroanschlüsse .....	19
5. Hebemethode .....	16	10. Elektroverdrahtung .....	19
6. Aufstellung der Anlage und Freiraum für Bedienung und Wartung .....	16	10.1. Netzstromverdrahtung .....	20
6.1. Einbau .....	16	10.2. Anschluß der Fernbedienungs-, Innen- und Außenübertragungskabel .....	20
6.2. Freiraum für Bedienung und Wartung .....	16	10.3. Externe Eingang/Ausgang-Funktion .....	20
7. Installation der Wasserrohrleitung .....	16	10.4. Adressen einsetzen .....	21
7.1. Vorsichtsmaßnahmen während der Installation .....	16	11. Informationen auf dem Typenschild .....	21

## 1. Sicherheitsvorkehrungen

### 1.1. Vor Installations- und Elektroarbeiten

- ▶ **Vor dem Einbau der Anlage vergewissern, daß Sie alle Informationen über "Sicherheitsvorkehrungen" gelesen haben.**
- ▶ **Die "Sicherheitsvorkehrungen" enthalten sehr wichtige Sicherheitsgesichtspunkte. Sie sollten sie unbedingt befolgen.**

#### Im Text verwendete Symbole:

##### ⚠ **Warnung:**

Beschreibt Vorkehrungen, die beachtet werden sollten, um den Benutzer vor der Gefahr von Verletzungen oder tödlicher Unfälle zu bewahren.

##### ⚠ **Vorsicht:**

Beschreibt Vorkehrungen, die beachtet werden sollten, um die Anlage vor Schäden zu bewahren.

#### Innerhalb der Abbildungen verwendete Symbole

- : Verweist auf eine Handlung, die unterbleiben muß.
- ⓘ : Verweist auf wichtige Anweisungen, die befolgt werden müssen.
- ⚡ : Verweist auf ein Teil, das geerdet werden muß.
- ⚠ : Gefahr von elektrischem Schlag. (Dieses Symbol findet sich als Aufkleber auf der Hauptanlage.) <Farbe: gelb>
- ⚠ : Gefahr heißer Oberflächen.

##### ⚠ **Warnung:**

**Die auf der Hauptanlage angebrachten Aufkleber sorgfältig lesen.**

##### ⚠ **Warnung:**

- Falls das Stromversorgungskabel beschädigt ist, muss es zur Vermeidung von Gefahren durch den Hersteller, dessen Serviceagentur oder ähnlich qualifizierte Personen ausgetauscht werden.
- Dieses Gerät ist nicht für die Verwendung durch Personen (einschließlich Kinder) mit verminderten physischen, Wahrnehmungs- oder geistigen Fähigkeiten oder mit mangelnder Erfahrung oder mangelnden Kenntnissen vorgesehen, es sei denn, sie wurden von einer für ihre Sicherheit verantwortliche Person in der Verwendung des Geräts überwacht bzw. in diese eingewiesen.
- Verwenden Sie kein Kühlmittel eines Typs, welches nicht in den mitgelieferten Anleitungen dieser Einheit oder auf der Namensplatte angegeben ist.
  - Anderenfalls kann dies während Reparaturarbeiten oder beim Entsorgen der Einheit zum Zerplatzen der Einheit oder der Leitungen, einer Explosion oder Brand führen.
  - Zudem kann dies gegen geltendes Recht verstoßen.
  - Die MITSUBISHI ELECTRIC CORPORATION übernimmt keine Haftung bei Fehlfunktionen oder Unfällen, die aufgrund der Verwendung eines falschen Kühlmitteltyps aufgetreten sind.
- Niemals Stahlrohrleitungen als Wasserrohrleitungen einsetzen.
  - Kupferrohrleitungen werden empfohlen.
- Der Wasserkreis soll als geschlossener Kreis ausgelegt sein.
- Bitten Sie Ihren Fachhändler oder einen geprüften Fachtechniker, die Installation der Anlage vorzunehmen.
  - Unsachgemäße Installation durch den Benutzer kann Wasseraustritt, Stromschläge oder Brände verursachen.
- Die Anlage an einem Ort installieren, der genügend Tragkraft für deren Gewicht besitzt.
  - Bei ungenügender Tragkraft kann das Gerät herunterfallen und Verletzungen verursachen.
- Nicht die Anlage berühren. Die Oberfläche kann heiß sein.
- Anlage nicht an Orten installieren, wo korrodierendes Gas erzeugt wird.
- Zur Verdrahtung die angegebenen Kabel verwenden. Die Anschlüsse so sichern, daß Zugspannung von außen nicht auf die Klemmen wirken kann.
  - Falscher Anschluß und falsche Befestigung führen zu Wärmebildung und verursachen Brände.
- Vorsorge gegen Regen, sonstige Feuchtigkeit und Erdbeben treffen und das Anlage an einem den Angaben entsprechenden Ort installieren.
  - Durch unsachgemäße Installation kann die Anlage herunterfallen und Verletzungen verursachen.
- Stets einen Siebfilter und sonstiges Zubehör gemäß Angaben von Mitsubishi Electric verwenden.
  - Einen geprüften Techniker bitten, die Zusatzeinrichtungen zu installieren. Unsachgemäße Installation durch den Benutzer kann zu Wasseraustritt, Stromschlägen oder Bränden führen.
- Die Anlage niemals selbst reparieren. Wenn die Anlage repariert werden muß, wenden Sie bitte sich an den Fachhändler.
  - Wenn die Anlage unsachgemäß repariert wird, kann dies zu Wasseraustritt, Stromschlägen oder Bränden führen.
- Nicht Kältemittelrohrleitungen und Wasserrohrleitungen berühren.
  - Unsachgemäße Handhabung kann zu Verletzungen führen.
- Tragen Sie bei der Handhabung dieses Erzeugnisses immer Schutzausrüstung, d.h. Handschuhe, vollen Armschutz wie einen Overall und eine Schutzbrille.
  - Unsachgemäße Handhabung kann zu Verletzungen führen.
- Wenn Kältemittelgas während der Installationsarbeiten austritt, den Raum gründlich lüften.
  - Wenn das Kältemittelgas auf offenes Feuer trifft, wird giftiges Gas freigesetzt.
- Die Anlage gemäß Anweisungen in diesem Installationshandbuch installieren.
  - Bei unsachgemäßer Installation kann dies zu Wasseraustritt, Stromschlägen oder Bränden führen.
- Elektroarbeiten durch einen zugelassenen Fachelektriker in Übereinstimmung mit dem "Technische Normen für Elektroeinrichtungen", den "Vorschriften zur Innenverdrahtung" und den in diesem Handbuch gegebenen Anweisungen vornehmen. Anlage auch immer an einen gesonderten Stromkreis anschließen.
  - Wenn die Leistung der Stromquelle ungenügend ist oder die Elektroarbeiten unsachgemäß ausgeführt wurden, kann dies zu Stromschlägen und zu Bränden führen.
- Halten Sie die elektrischen Teile fern von Wasser (Waschwasser usw.).
  - Kontakt mit Wasser kann elektrischen Schlag, Feuer oder Rauch verursachen.
- Die Abdeckung der Elektroanschlüsse der Heizanlage (Abdeckplatte) fest anbringen.
  - Wenn die Abdeckung der Elektroanschlüsse (Abdeckplatte) nicht sachgemäß angebracht wurde, kann Staub oder Wasser in die Heizanlage eindringen und Brände oder Stromschläge verursachen.
- Füllen Sie die Klimaanlage bei Installation und Verbringung an einen anderen Ort nicht mit einem anderen Kältemittel als dem auf der Anlage angegebenen (R410A).
  - Wenn das ursprüngliche Kältemittel mit einem anderen Kältemittel oder mit Luft vermischt wird, kann dies zu Fehlfunktionen des Kältemittelkreislaufs führen und die Anlage beschädigt werden.
- Wenn die Anlage in einem kleinen Raum installiert wird, müssen Maßnahmen ergriffen werden, damit die Kältemittelkonzentration auch bei Kältemittelaustritt den Sicherheitsgrenzwert nicht überschreitet.
  - Befragen Sie einen Fachhändler bezüglich geeigneter Maßnahmen zur Verhinderung des Überschreitens des Grenzwertes. Sollte durch Austreten von Kältemittel das Überschreiten des Grenzwertes erfolgen, besteht wegen möglichem Sauerstoffmangel im Raum Gesundheitsgefahr.
- Beim Verbringen der Anlage an einen anderen Ort einen Fachhändler oder einen geprüften Techniker zur Neuaufrichtung hinzuziehen.
  - Bei unsachgemäßer Installation der Anlage kann Wasser austreten, und es können Stromschläge oder Brände verursacht werden.

- **Nach Abschluß der Installationsarbeiten sicherstellen, daß kein Kältemittelgas austritt.**
  - Wenn Kältemittelgas austritt und mit einem Heizgebläse, einem Ofen oder sonstigen Wärmequellen in Berührung kommt, kann giftiges Gas erzeugt werden.
- **Die Einstellungen der Schutzvorrichtungen nicht neu einrichten oder ändern.**
  - Wenn Druckschalter, Thermoschalter oder eine andere Schutzvorrichtung kurzgeschlossen oder mit Gewalt betätigt wird oder wenn andere als die von Mitsubishi Electric angegebenen Teile verwendet werden, besteht Brand- oder Explosionsgefahr.
- **Wenden Sie sich für die Entsorgung dieses Geräts an Ihren Händler.**
- **Der Installateur und der Systemfachmann müssen für die Sicherung gegen Wasseraustritt gemäß den örtlichen Bestimmungen und Normen sorgen.**
  - Falls keine örtlichen Bestimmungen bestehen, sind die nachstehenden Normen anzuwenden.
- **Besondere Beachtung ist den örtlichen Verhältnissen wie etwa dem Kellergeschoss etc. zu schenken, wo sich Kältemittelgas ansammeln kann, da Kältemittel schwerer als Luft ist.**
- **Kinder sollten beaufsichtigt werden, um zu gewährleisten, dass sie nicht mit dem Gerät spielen.**

## 1.2. Vorkehrungen für Geräte, die das Kältemittel R410A verwenden

### ⚠️ Warnung:

- **Verwenden Sie kein Kühlmittel eines Typs, welches nicht in den mitgelieferten Anleitungen dieser Einheit oder auf der Namensplatte angegeben ist.**
  - Anderenfalls kann dies während Reparaturarbeiten oder beim Entsorgen der Einheit zum Zerplatzen der Einheit oder der Leitungen, einer Explosion oder Brand führen.
  - Zudem kann dies gegen geltendes Recht verstoßen.
  - Die MITSUBISHI ELECTRIC CORPORATION übernimmt keine Haftung bei Fehlfunktionen oder Unfällen, die aufgrund der Verwendung eines falschen Kühlmitteltyps aufgetreten sind.

### ⚠️ Vorsicht:

- **Kältemittel und Öl.**
  - Das alte Kältemittel und das Kältemaschinenöl in der vorhandenen Rohrleitung enthalten große Mengen Chlor, was zur Qualitätsminderung des Kältemaschinenöls der neuen Anlage führen kann.
  - R410A ist ein Hochdruck-Kältemittel und kann die bestehenden Rohrleitungen zum Platzen bringen.
- **Kältemittelrohrleitungen aus phosphor-deoxidiertem Kupfer C1220 (Cu-DHP) gemäß Angaben in JIS H3300 „Nahtlose Rohrleitungen und Rohre aus Kupfer und Kupferlegierung“ verwenden. Außerdem vergewissern, daß die Innen- und Außenflächen der Rohrleitungen sauber und frei von gefährlichem Kupfer, Oxiden, Staub/Schmutz, Metallbearbeitungsrückständen, Ölen, Feuchtigkeit oder anderen Verunreinigungen sind.**
  - Verunreinigungen auf der Innenseite der Kältemittelrohrleitungen können dazu führen, daß das Kältemittelrestöl verdirt.
- **Die bei der Installation verwendete Rohrleitung in einem geschlossenen Raum aufbewahren und beide Enden bis unmittelbar vor dem Hartlöten geschlossen halten. (Krümmer und andere Rohrverbinder in einem Kunststoffbeutel aufbewahren.)**
  - Wenn Staub, Schmutz oder Wasser in den Kältemittelkreislauf gelangt, kann dies zu einer Qualitätsminderung des Öls und zu Kompressorstörungen führen.
- **Zum Beschichten der Konus- und Flanschanschlüsse Esteröl/Ätheröl oder Alkylbenzol (kleine Menge) als Kältemaschinenöl verwenden.**
  - Das Kältemaschinenöl zersetzt sich, wenn es mit größeren Mengen Mineralöl vermischt wird.
- **Zur Füllung des Systems flüssiges Kältemittel verwenden.**
  - Wenn Kältemittelgas zur Füllung des Systems verwendet wird, ändert sich die Zusammensetzung des Kältemittels im Zylinder, so daß die Leistung abfallen kann.
- **Als Kältemittel ausschließlich R410A verwenden.**
  - Falls ein anderes Kältemittel (R22 usw.) mit R410A gemischt wird, kann das im Kältemittel enthaltene Chlor einen Güteverlust des Kältemittelöls verursachen.
- **Eine Vakuumpumpe mit einem Reverse Flow (Gegenstrom)-Rückschlagventil verwenden.**
  - Das Öl der Vakuumpumpe fließt in den Kältemittelkreislauf zurück und führt zur Qualitätsminderung des Kältemaschinenöls.
- **Folgende Vorrichtungen, die bei herkömmlichen Kältemitteln verwendet werden, nicht einsetzen. (Messrohrleitung, Füllschlauch, Gasaustrittsdetektor, Reverse Flow (Gegenstrom)-Rückschlagventil, Kältemittelfüllständer, Kältemittelaufbereitungseinrichtungen)**
  - Wenn herkömmliches Kältemittel und Kältemittelöl mit R410A gemischt werden, kann es zur Verschlechterung des Kältemittels kommen.
  - Wenn es zu Einmischung von Wasser in R410A kommt, kann sich das Kältemittelöl verschlechtern.
  - Da R410A kein Chlor enthält, reagieren Gasleckdetektoren für herkömmliche Kältemittel nicht auf sie.
- **Keinen Füllzylinder verwenden.**
  - Bei Verwendung eines Füllzylinders kann das Kältemittel verderben.

- **Beim Einsatz der Handhabungsvorrichtungen besondere Sorgfalt walten lassen.**
  - Wenn Staub, Schmutz oder Wasser in den Kältemittelkreislauf gelangt, kann dies zur Qualitätsminderung des Kältemittels führen.

## 1.3. Vor der Aufstellung

### ⚠️ Vorsicht:

- **Anlage nicht an Orten installieren, wo brennbares Gas austreten kann.**
  - Wenn Gas austritt und sich um die Anlage herum ansammelt, kann dies zu einer Explosion führen.
- **Anlage nicht an Orten verwenden, wo sich Lebensmittel, Tiere, Pflanzen, Präzisionswerkzeuge oder Kunstgegenstände befinden.**
  - Die Qualität der Lebensmittel etc. kann sich verschlechtern.
- **Anlage nicht unter besonderen Umfeldbedingungen einsetzen.**
  - Dichter Öldampf, Dampf oder schwefelhaltiger Rauch können die Leistung der Klimageräte erheblich beeinträchtigen oder Teile der Anlage beschädigen.
- **Bei Installation der Anlage in einem Krankenhaus, einer Rundfunkstation oder an ähnlichen Orten für ausreichend Lärmschutz sorgen.**
  - Der Betrieb der Anlage kann gestört oder unterbrochen werden, wenn sie durch Aufnahmegeräte, private Stromerzeugungseinrichtungen, medizinische Hochfrequenzgeräte oder Rundfunkeinrichtungen beeinflusst wird, und umgekehrt kann der Betrieb der Anlage die Funktion dieser Geräte und Einrichtungen beeinträchtigen und Lärm erzeugen, der ärztliche Behandlungen stört oder Bildübertragungen beeinträchtigt.
- **Die Anlage nicht auf Baueinrichtungen installieren, die Wasseraustritt verursachen können.**
  - Wenn die Luftfeuchtigkeit 80 % übersteigt oder wenn die Abwasserleitung verstopft ist, kann Kondenswasser aus der Innenanlage tropfen. Daher die vorgesehene Sammelabwasserleitung der Anlage nach Bedarf einrichten.

## 1.4. Vor dem Einbau (der Ortsveränderung) - Elektroarbeiten

### ⚠️ Vorsicht:

- **Erdung der Anlage.**
  - Die Erdungsleitung nicht an Gas- oder Wasserrohre, Beleuchtungsstäbe oder an die Erdleitungen von Telefonen anschließen. Unsachgemäße Erdung kann zu Stromschlägen führen.
- **Netzstromleitungen so anbringen, daß keine Zugspannung auf die Kabel ausgeübt wird.**
  - Zugspannung kann Kabelbruch, Wärmebildung und Brände verursachen.
- **Einen Fehlerstromschutzschalter wie vorgesehen anbringen.**
  - Wenn kein Fehlerstromschutzschalter angebracht wird, können Stromschläge verursacht werden.
- **Netzstromkabel mit ausreichender Stromstärke und Nennwertauslegung verwenden.**
  - Zu kleine Kabel können Fehlstrom verursachen, Wärme erzeugen und Brand ausbrechen lassen.
- **Nur Stromunterbrecher und Sicherungen der angegebenen Leistung verwenden.**
  - Eine Sicherung oder ein Stromunterbrecher von größerer Stärke oder Stahl- oder Kupferdraht können zum Ausfall der Anlage oder zum Ausbruch von Bränden führen.
- **Klimageräte nicht waschen.**
  - Waschen der Anlage kann Stromschläge verursachen.
- **Sorgfältig darauf achten, daß die Installationsplatte durch langen Gebrauch nicht beschädigt wird.**
  - Wenn der Schaden nicht behoben wird, kann die Anlage herunterfallen und Personenschäden oder Schäden an der Einrichtung hervorrufen.
- **Zur Gewährleistung eines ordnungsgemäßen Wasserablaufs die Abwasserleitung gemäß Anweisungen in diesem Installationshandbuch installieren. Rohrleitungen mit Wärmeisolierung versehen, um Kondenswasserbildung zu verhindern.**
  - Unsachgemäß angebrachte Abwasserleitungen können Wasseraustritt verursachen und Schäden an Möbeln oder sonstigen Einrichtungsgegenständen nach sich ziehen.
- **Beim Transport der Anlage sehr sorgfältig vorgehen.**
  - Wenn der Gegenstand mehr als 20 kg wiegt, nicht nur eine Person zum Tragen einsetzen.
  - Bei einigen Produkten besteht die Verpackung aus PP-Bändern. Verwenden Sie keine PP-Bänder zum Transport. Dies ist gefährlich.
  - Beim Transport der Anlage diese an den vorgeschriebenen Positionen an der Grundplatte der Anlage aufhängen. Auch die Anlage an vier Punkten abstützen, so dass sie nicht seitlich abrutschen kann.
- **Verpackungsmaterial sicher entsorgen**
  - Verpackungsmaterial, wie Nägel und andere Metall- oder Holzteile, können Stichwunden oder sonstige Verletzungen verursachen.
  - Kunststoffbeutel zerreißen und entsorgen, damit Kinder nicht mit ihnen spielen. Wenn Kinder mit Kunststoffbeutel spielen, die nicht zerrissen wurden, besteht Erstickengefahr.

## 1.5. Vor Installationsbeginn

### ⚠ Vorsicht:

- **Es erscheint der Fehlercode „7130“, wenn beide der folgenden Umstände eintreten.**
  - Das PWFY-Gerät ist mit dem Außengerät der Y-Serie verbunden.
  - Die Softwareversion ist die unten aufgeführte.  
PWFY-Serie: frühere Version als 1.13  
Y(YHM)-Serie: frühere Version als 12.27  
Y(YJM)-Serie: frühere Version als 1.31  
Replace Y(YJM)-Serie: frühere Version als 11.31  
HP(ZUBADAN)-Serie: frühere Version als 22.27  
WY-Serie: frühere Version als 12.29
- **Strom mindestens 12 Stunden vor Betriebsbeginn einschalten.**
  - Betriebsbeginn unmittelbar nach Einschalten des Netzschalters kann zu schwerwiegenden Schäden der Innenteile führen. Während der Saison Netzschalter eingeschaltet lassen.
- **Schalter nicht mit nassen Fingern berühren.**
  - Berühren eines Schalters mit nassen Fingern kann einen Stromschlag verursachen.
- **Kältemittelrohrleitung nicht während oder unmittelbar nach Betrieb berühren.**
  - Während und unmittelbar nach Betrieb sind die Kältemittelrohrleitungen, je nach Durchfluß des Kältemittels durch die Kältemittelrohrleitung, den Kompressor und andere Teile des Kältemittelkreislaufs, manchmal heiß und manchmal kalt. Sie können sich die Hände verbrennen oder Frostverletzungen erleiden, wenn Sie die Kältemittelrohrleitung berühren.

- **Klimageräte nicht bei abgenommenen Verkleidungen und Schutzabdeckungen betreiben.**
  - Drehende, heiße oder unter Hochspannung stehende Teile können Verletzungen verursachen.
- **Netzstrom nicht unmittelbar nach Betriebsbeendigung ausschalten.**
  - Vor Ausschalten des Netzstroms immer mindestens 5 Minuten warten. Andernfalls kann es zu Wasseraustritt oder sonstigen Störungen kommen.
- **Während der Wartung die Außenseite des Kompressors nicht berühren.**
  - Wenn die Anlage an das Stromnetz angeschlossen ist aber nicht läuft, arbeitet die Heizung des Kurbelgehäuses im Kompressor.
- **Nicht die Verkleidungen am Gebläseauslass mit bloßen Händen berühren: Sie können sehr heiß werden, während die Anlage in Betrieb ist (auch in gestopptem Zustand) oder sofort nach dem Betrieb, wodurch Verbrennungsgefahr besteht. Immer Schutzhandschuhe zum Schutz der Hände tragen, wenn die Verkleidungen berührt werden müssen.**
- **Während des Betriebs oder sofort nach dem Betrieb der Anlage kann heiße Ablauf aus dem Gebläseauslass austreten. Nicht die Hände über den Auslass halten oder die Verkleidungen in der Nähe des Auslasses berühren.**
- **Sicherstellen, dass ein Strömungsweg für die die Abluft vom Gebläse vorhanden ist.**
- **Wasserrohrleitungen können sich je nach der Vorwahltemperatur stark erhitzen. Wasserrohrleitungen mit Isolierungsmaterial versehen, um Verbrennungen zu verhindern.**

## 2. Produktinformationen

### ⚠ Warnung:

- **Verwenden Sie kein Kühlmittel eines Typs, welcher nicht in den mitgelieferten Anleitungen dieser Einheit oder auf der Namensplatte angegeben ist.**
  - Andernfalls kann dies während Reparaturarbeiten oder beim Entsorgen der Einheit zum Zerplatzen der Einheit oder der Leitungen, einer Explosion oder Brand führen.
  - Zudem kann dies gegen geltendes Recht verstoßen.
  - Die MITSUBISHI ELECTRIC CORPORATION übernimmt keine Haftung bei Fehlfunktionen oder Unfällen, die aufgrund der Verwendung eines falschen Kühlmitteltyps aufgetreten sind.
- Dieses Gerät verwendet Kältemittel des Typs R410A.

- Rohrleitungen für Systeme, die R410A verwenden, können aufgrund des konstruktionsbedingten höheren Drucks bei Verwendung von R410A von denen für Systeme, die herkömmliche Kältemittel verwenden, abweichen. Weitere Informationen sind im Datenbuch enthalten.
- Einige zur Installation von Systemen, die andere Kältemitteltypen einsetzen, verwendete Hilfsmittel und Geräte können nicht für Systeme verwendet werden, die R410A einsetzen. Weitere Informationen sind im Datenbuch enthalten.
- Verwenden Sie keine vorhandenen Rohrleitungen, da diese Chlor enthalten, das in herkömmlichen Kühlmaschinenölen und Kältemitteln Verwendung findet. Das Chlor beeinträchtigt das im neuen System verwendete Kältemittelöl. Die vorhandenen Rohrleitungen dürfen auch deshalb nicht verwendet werden, weil der konstruktionsbedingte Druck in Systemen, die R410A verwenden, höher ist als in Systemen, die andere Kältemittel verwenden, so dass die vorhandenen Rohrleitungen bersten könnten.

## 3. Technische Daten

### ⚠ Warnung:

**Verwenden Sie kein Kühlmittel eines Typs, welcher nicht in den mitgelieferten Anleitungen dieser Einheit oder auf der Namensplatte angegeben ist.**

- Andernfalls kann dies während Reparaturarbeiten oder beim Entsorgen der Einheit zum Zerplatzen der Einheit oder der Leitungen, einer Explosion oder Brand führen.
- Zudem kann dies gegen geltendes Recht verstoßen.
- Die MITSUBISHI ELECTRIC CORPORATION übernimmt keine Haftung bei Fehlfunktionen oder Unfällen, die aufgrund der Verwendung eines falschen Kühlmitteltyps aufgetreten sind.

Modell		PWFY-P100VM-E-BU	PWFY-P100VM-E1-AU	PWFY-P200VM-E1-AU
Geräuschpegel		44dB<A>	29dB<A>	29dB<A>
Kältemittel		R134a × 1,1 kg	-	-
Nettogewicht		60 kg	35 kg	38 kg
Auslegungsdruck	R410A MPa	4,15	4,15	4,15
	R134a MPa	3,60	-	-
	Wasser MPa	1,00	1,00	1,00
Anschleißbar Außenanlage	Gesamtkapazität	50~100 % der Außenanlage-Kapazität		Nur an das Außengerät anschließbar
	Modell/Anzahl	Nur R2, Replace R2-Serie, WR2-Serie	Y, Replace Y-Serie, HP(ZUBADAN)-Serie, WY-Serie, R2, Replace R2-Serie, WR2-Serie	PUMY-P-V/YHMB(-BS)
Temp. Bereich für Heizen	Außentemp.	-20~32 °CWB (59~90 °F)	-20~32 °CWB (-4~90 °F) PURY - Baureihe -20~15,5 °CWB (-4~60 °F) PUHY - Baureihe	-15~21 °CDB (5~70 °F), -15~15 °CWB (5~59 °F)
	Einlass-Wassertemp.	10~70 °C (50~158 °F)	10~40 °C (50~104 °F)	10~45 °C (50~113 °F)
Temp. Bereich für Kühlung	Außentemp.	-	-5~43 °CDB (23~110 °F) PURY - Baureihe -5~43 °CDB (23~110 °F) PUHY - Baureihe	-
	Einlass-Wassertemp.	-	10~35 °C (50~95 °F)	-

## 4. Bestätigung von Anschlussteilen

- ① Siebfilter      ② Wärmeisolierungsmaterial      ③ Anschlusssätze × 2      ④ Expansionsverbindung × 2 (PWFY-P200VM-E1-AU)      ⑤ Kabel      ⑥ Strömungsschalter (PWFY-P100/P200VM-E1-AU)

## 5. Hebemethode

### ⚠ Vorsicht:

Beim Transport dieses Produkts sehr vorsichtig vorgehen.

- Keine Lasten über 20 kg allein tragen.
- Einige Produkte sind eventuell mit PP-Bändern verschnürt. PP-Bänder sind gefährlich und sollten nicht für den Transport eines Produkts verwendet werden.
- Zerreißen Sie den Kunststoff-Verpackungsbeutel und entsorgen Sie ihn, so dass Kinder nicht damit spielen können. Bei Nichtbeachtung kann es zum Erstickungstod von Kindern durch den Kunststoff-Verpackungsbeutel kommen.

## 6. Aufstellung der Anlage und Freiraum für Bedienung und Wartung

### 6.1. Einbau

- Unter Verwendung der nachstehend dargestellten Verankerungslöcher die Anlage fest am Boden verschrauben.

[Fig. 6.1.1] (P.2)

- Ⓐ 4-ø14 (Verankerungslöch)      Ⓑ (Ansicht von oben)

#### Bodenbeschaffenheit

- Darauf achten, daß die Anlage an einem Ort installiert wird, der genügend Tragkraft aufweist. Wenn der Boden zu geringe Festigkeit besitzt, eine Verstärkung durch ein Betonfundament vorsehen.
- Die Anlage muß auf einer waagerechten Fläche verankert werden. Nach der Aufstellung mit einer Wasserwaage überprüfen.
- Wenn die Anlage neben einem Raum aufgestellt wird, in dem das Geräusch störend wirkt, wird die Verwendung eines schwingungsdämpfenden Unterbaus empfohlen.

### ⚠ Warnung:

- Die für den Einbau gewählte Aufstellfläche muß dem Gewicht des Aggregats mühelos standhalten. Eine nicht ausreichend stabile Standfläche kann dazu führen, daß das Aggregat umfällt und Personen verletzt.
- Bei der Aufstellung Vorkehrungen zum Schutz gegen Erdbeben vorsehen. Fehler beim Einbau können dazu führen, daß das Aggregat umfällt und Unfälle mit Personenverletzungen verursacht.

### 6.2. Freiraum für Bedienung und Wartung

- Bitte genügend Freiraum für Bedienung und Wartung nach der Installation vorsehen. (Alle Wartungsarbeiten können von der Vorderseite der Anlage ausgeführt werden.)

[Fig. 6.2.1] (P.2)

Modell	a	b	c
PWFY-P100VM-E-BU	400	300	600
PWFY-P100VM-E1-AU	400	300	600
PWFY-P200VM-E1-AU	400	300	600

- Ⓐ Freiraum für Rohrleitung (rechte Seite)  
 Ⓑ Ansicht von oben  
 Ⓒ Freiraum für Bedienung und Wartung (Vorderseite)

## 7. Installation der Wasserrohrleitung

- Vor längerer Nichtverwendung das Wasser aus den Rohrleitungen ablassen und diese gründlich trocknen lassen.
- Einen geschlossenen Wasserkreis verwenden.
- Wenn Sie das Gerät im Kühlbetrieb befindet, fügen Sie dem zirkulierenden Wasser Frostschutz bei, um zu verhindern, dass es einfriert.
- Um Frostschutz im System zu verwenden, muss DipSW 1-10 auf EIN gestellt sein.
- Bei Einbau in einer Umgebung mit niedriger Temperatur das Wasser ständig umlaufen lassen. Wenn das nicht möglich ist, lassen Sie das Wasser vollständig aus den Rohrleitungen ablaufen oder füllen Sie sie mit Frostschutz.
- Nicht das für diese Anlage verwendete Wasser zum Trinken oder zur Lebensmittelezubereitung verwenden.
- Niemals Stahlrohrleitungen als Wasserrohrleitungen einsetzen.

Modell	Wassereinlass	Wasserauslass
PWFY-P100VM-E-BU	PT 3/4 Schraube	PT 3/4 Schraube
PWFY-P100VM-E1-AU	PT 3/4 Schraube	PT 3/4 Schraube
PWFY-P200VM-E1-AU *1 Wenn die beigelegten Expansionsverbindungen angebracht sind.	PT 1 Schraube*1	PT 1 Schraube*1

### 7.1. Vorsichtsmaßnahmen während der Installation

- Zur Gewährleistung eines ordnungsgemäßen Rohrwiderstandes für jede Anlage das Umkehrücklaufverfahren (reverse-return method) verwenden.
- Zur Gewährleistung der Einfachheit der Wartung, Inspektion sowie des Auswechslens der Anlage am Wassereinlauf und -auslauf geeignete Rohrverbinder, Armaturen etc. verwenden. Darüber hinaus sicherstellen, daß am Wassereinlauf und -auslaufrohr ein Siebfilter installiert ist. (Zur Wartung der Einheit ist ein Siebfilter am Einlauf des Wasserumlaufs erforderlich.)
- Am Wasserrohr muß ein geeignetes Entlüftungsaggregat installiert sein. Nach dem Wasserdurchlauf durch das Rohr dafür sorgen, daß die überschüssige Luft entweichen kann.
- In Niedrigtemperaturabschnitten der Einheit kann sich Kondenswasser bilden. Zum Abfluß des Wassers am Boden der Anlage ein Abflußrohr, das an die Abflußarmatur angeschlossen ist, einsetzen.
- An der Pumpe eine Armatur zur Rückflußvermeidung und einen flexiblen Rohrverbinder zur Verhinderung übermäßiger Schwingungen installieren.
- Bei einem Wanddurchbruch die Rohrleitung mit einer Manschette schützen.
- Zur Sicherung der Rohre Metallbefestigungen verwenden und diese so installieren, daß sie maximal gegen Bruch und Verkrümmung geschützt sind.
- Die Armaturen für Wassereinlauf und -auslauf nicht vertauschen.
- Diese Anlage besitzt keine Heizung zur Vermeidung von Vereisung innerhalb der Rohre. Wenn der Wasserdurchfluß bei niedriger Umgebungstemperatur unterbrochen ist, das Wasser aus den Rohren entfernen.

- Die nicht verwendeten Löcher zum Ausbrechen sind zu verschließen und die Öffnungen für Kältemittelrohre, Wasserrohre, Netz- und Übertragungsleitungen müssen zum Schutz gegen Wasser mit Spachtel o. ä. abgedichtet werden.
- Den Siebfilter in einem Winkel von 45° oder weniger einbauen, wie in [Fig. 7.1.2] gezeigt.
- Abdichtungsband um den Gewindeteil wickeln, um Wasserlecks zu vermeiden.
- Bringen Sie das Abdichtungsband wie folgt an.
  - ① Wickeln Sie das Abdichtungsband um das Gewinde des Rohrverbinders in Gewinderichtung (Uhrzeigerichtung). Das Band darf nicht über den Gewinderand abstehen.
  - ② Das Abdichtungsband sollte sich beim Umwickeln um zwei Drittel bis vier Drittel seiner Breite überlappen. Drücken Sie das Band mit ihren Fingern, so dass es fest an jeder Gewinderille anliegt.
  - ③ Umwickeln Sie die letzten 1,5 bis 2 Schraubenrillen nicht.

- Den mitgelieferten Siebfilter am Wassereinlass einbauen.
- Die Rohrleitung an der Anlagenseite mit einem Schraubenschlüssel halten, wenn die Rohrleitungen oder ein Siebfilter angebracht werden. Die Schrauben auf ein Drehmoment von 50 N·m anziehen.
- Wasserrohrleitungen können sich je nach der Vorwahltemperatur stark erhitzen. Wasserrohrleitungen mit Isolierungsmaterial versehen, um Verbrennungen zu verhindern.
- Beim Modell PWFY-P200VM-E1-AU die Expansionsverbindung (Zubehör) am Einlass nach dem Einbauen des Filtersiebs und am Auslass anbringen.

#### Beispiel für die Installation der Anlage (mit Wasserleitungen)

[Fig. 7.1.1] (P.2)

- Ⓐ Absperrarmatur      Ⓑ Wassereinlaß  
 Ⓒ Wasserauslauf      Ⓓ Kältemittelrohrleitung  
 Ⓔ Siebfilter des Typs Y      Ⓕ Abflußrohr  
 Ⓖ Expansionsverbindung

### 7.2. Anbringung der Isolierung

Die Oberflächentemperatur des Wasserleitungsrohrs kann sehr hoch sein, je nach der Einstelltemperatur. Die Rohrleitung isolieren, um Verbrennungen zu vermeiden. Beim Betrieb von PWFY-P100/P200VM-E1-AU mit kaltem Wasser die Wasserrohrleitung isolieren, um Kondensationsbildung zu vermeiden.

- Isolierungsmaterial um die Wasserrohrleitungen wickeln, wie in [Fig. 7.2.1] gezeigt.
- Bei allen im Freien verlaufenden Rohrleitungen.
- Innenrohrleitungen in Kaltwetterregionen, wo Probleme durch eingefrorene Rohrleitungen entstehen können.
- Wenn von außen kommende Luft die Bildung von Kondenswasser auf der Rohrleitung verursacht.
- Alle Abflußrohre.

[Fig. 7.2.1] (P.2)

- Ⓐ Wärmeisolierungsmaterial (Zubehör)  
 Ⓑ Abdichtmaterial einspritzen



### 7.3. Wasserbehandlung und Kontrolle der Wasserqualität

Zur Einhaltung der Wasserqualität einen luftdichten Wasserumlauf für die Anlage einsetzen. Wenn die Qualität des Wasserumlaufs niedrig ist, kann sich im Wärmetauscher Kesselstein bilden, was zu einer Verminderung der Leistung des Wärmetauschers und möglicherweise zu dessen Korrosion führt. Daher sorgfältig auf die Wasserbehandlung und die Qualitätskontrolle des Wassers achten, wenn das Wasserumlaufsystem installiert wird.

- Alle Fremdkörper und Verunreinigungen in den Rohren entfernen.  
Während der Installation sorgfältig darauf achten, daß keine Fremdkörper wie Schweißrückstände, Rückstände von Dichtungsmitteln oder Rost in die Rohre gelangen.

#### ② Wasserqualitätsstandard

Positionen	Wassersystem im unteren Temperatur-Mittelfeld Wassertemp. ≤ 60 °C		Wassersystem im hohen Temperatur-Mittelfeld Wassertemp. > 60 °C		Tendenz		
	Wasserkreislauf	Aufbereitetes Wasser	Wasserkreislauf	Aufbereitetes Wasser	Korrodierend	Kesselsteinbildung	
Standard- positionen	pH (25 °C)	7,0 ~ 8,0	7,0 ~ 8,0	7,0 ~ 8,0	7,0 ~ 8,0	○	○
	Elektrleitfähigkeit (mS/m) (25 °C)	30 oder weniger	30 oder weniger	30 oder weniger	30 oder weniger	○	○
	(µs/cm) (25 °C)	[300 oder weniger]	[300 oder weniger]	[300 oder weniger]	[300 oder weniger]	○	○
	Chlorid-Ion (mg Cl/l)	50 oder weniger	50 oder weniger	30 oder weniger	30 oder weniger	○	
	Sulfat-Ion (mg SO <sub>4</sub> <sup>2-</sup> /l)	50 oder weniger	50 oder weniger	30 oder weniger	30 oder weniger	○	
	Säureverbrauch (pH4,8) (mg CaCO <sub>3</sub> /l)	50 oder weniger	50 oder weniger	50 oder weniger	50 oder weniger		○
	Gesamthärte (mg CaCO <sub>3</sub> /l)	70 oder weniger	70 oder weniger	70 oder weniger	70 oder weniger		○
Bezugs- punkte	Calcium-Härte (mg CaCO <sub>3</sub> /l)	50 oder weniger	50 oder weniger	50 oder weniger	50 oder weniger		○
	Ionische Kieselerde (mg SiO <sub>2</sub> /l)	30 oder weniger	30 oder weniger	30 oder weniger	30 oder weniger		○
	Eisen (mg Fe/l)	1,0 oder weniger	0,3 oder weniger	1,0 oder weniger	0,3 oder weniger	○	○
	Kupfer (mg Cu/l)	1,0 oder weniger	1,0 oder weniger	1,0 oder weniger	1,0 oder weniger	○	
	Sulfide-ion (mg S <sup>2-</sup> /l)	nicht feststellbar	nicht feststellbar	nicht feststellbar	nicht feststellbar	○	
	Ammonium-Ion (mg NH <sub>4</sub> <sup>+</sup> /l)	0,3 oder weniger	0,1 oder weniger	0,1 oder weniger	0,1 oder weniger	○	
	Rest-Chlor (mg Cl/l)	0,25 oder weniger	0,3 oder weniger	0,1 oder weniger	0,3 oder weniger	○	
Freies Carbon-Dioxid (mg CO <sub>2</sub> /l)	0,4 oder weniger	4,0 oder weniger	0,4 oder weniger	4,0 oder weniger	○		
Ryznar-Stabilitätsindex	-	-	-	-	○	○	

Bezug : Richtlinie zur Wasserqualität für Kältemittel- und Klimaanlage-Einrichtungen. (JRA GL02E-1994)

- ③ Vor Verwendung von Anti-Korrosionslösungen zur Wasserreinigung empfehlen wir einen Fachmann für die Kontrolle der Wasserqualität über Verfahren zur Kontrolle und Berechnung der Wasserqualität zu Rate zu ziehen.
- ④ Wird eine vorher installierte Klimaanlage ausgewechselt (auch wenn nur der Wärmetauscher ersetzt wird) ist es notwendig, zunächst eine Analyse der Wasserqualität und eine Überprüfung möglicher Korrosion vorzunehmen.  
In Kaltwassersystemen kann Korrosion auch dann vorhanden sein, wenn es zunächst keine Anzeichen auf Korrosion gibt.  
Wenn sich das Niveau der Wasserqualität absenkt, die Wasserqualität vor dem Austausch der Anlage bitte in ausreichender Weise anpassen.

### 7.4. Pumpenverriegelung

Um den Testlauf durchzuführen bevor die Verriegelungsschaltung abgeschlossen ist, schließen Sie erst die Klemmenleiste TB142A (IN1) kurz und dann führen die den Testlauf durch.

Die Anlage kann beschädigt werden, wenn sie ohne Wasserumlauf durch die Rohrleitungen betrieben wird.

#### <PWFY-P100VM-E-BU>

Dafür sorgen, daß für den Betrieb der Anlage und der Wasserumlaufpumpe eine Verriegelung vorgesehen ist. Dazu die Klemmenleisten zur Verriegelung TB142A(IN1), die sich an der Anlage befinden, verwenden.

[Fig. 7.4.1] (P.2)

#### <PWFY-P100/200VM-E1-AU>

#### <Pumpenverriegelung>

Im System, das PWFY-P100/P200VM-E1-AU beinhaltet, kann das zirkulierende Wasser einfrieren und zu einer Fehlfunktion des Geräts führen. Führen Sie elektrische Arbeiten durch, wie es in [Fig. 7.4.2] gezeigt wird, um zu verhindern, dass das Wasser einfriert.

#### <Strömungsschalter>

Stellen Sie bei der Montage der Einheit sicher, den mitgelieferten Strömungsschalter an der Wasserauslassseite der Einheit zu installieren und das Kabel an IN1 von TB142A der Einheit anzuschließen.

Wenn der Strömungsschalter nicht installiert wurde, wird die Einheit ein Fehlersignal ausgeben (2100: Kopplungsfehler) und den Betrieb einstellen.

\* Ein Überbrückungskabel wird mitgeliefert; doch dies ist nur für einen Testlauf vorgesehen.

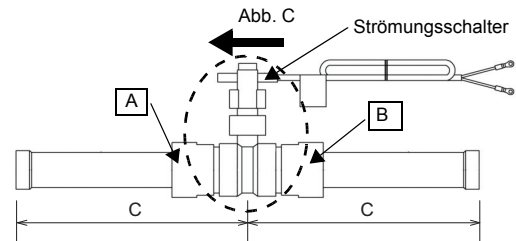
<Installationsverfahren>

- ① Entfernen Sie die an den Strömungsschalter angeschlossenen Leitungen. Hinweis: Die Einheit wird mit lose befestigten Leitungen ausgeliefert.
- ② Umwinkeln Sie die Gewinde beginnend ab dem 1,5. oder 2. Gang an den Leitungsenden mit Dichtungsband; sparen Sie jedoch die Öffnungen aus. Winkeln Sie zwei bis drei Lagen in der Leitungsgewinderichtung auf (Uhrzeigersinn). Jede Lage des Bandes sollte die zuvor aufgebraute Lage um 2/3 bis 3/4 der Bandbreite überlappen. Drücken Sie das Band unter Zuhilfenahme Ihrer Finger ringsherum in die Gewindgänge. Befestigen Sie anschließend die Leitungen am Strömungsschalter, wobei die Teile A und B mit einem Schlüssel gehalten werden. Das maximale Drehmoment beträgt 60 N·m (611 kgf·cm).

- Behandlung der Wasserqualität

- ① Je nach Qualität des Wassers können die Kupferrohre des Wärmetauschers korrodieren. Wir empfehlen daher regelmäßige Maßnahmen zur Wasserreinigung. Wasserumlaufsysteme mit offenen Wärmespeichertanks unterliegen in besonderem Maße der Korrosion. Bei Verwendung eines offenen Wärmelagertanks installieren Sie bitte einen Wasser-zu-Wasser-Wärmetauscher, und verwenden Sie auf der Seite der Klimaanlage einen geschlossenen Regelkreis (closed-loop). Bei Installation eines Wasserversorgungstanks sorgen Sie bitte für eine Minimierung des Luftkontaktes, und halten Sie den Anteil von aufgelöstem Sauerstoff im Wasser unter 1mg/l.

- ③ Befestigen Sie den Strömungsschalter und die Leitungen am Wasserauslass in horizontaler Richtung. Der Winkel der Leitungsachse sollte weniger als 45 Grad betragen.
- ④ Überprüfen Sie die Richtung des Strömungsschalters anhand der Abb. C.
- ④ Schließen Sie das Strömungsschalterkabel an IN1 von TB142A an.



	C
PWFY-P100VM-E1-AU	175 mm
PWFY-P200VM-E1-AU	205 mm

Stellen Sie DipSW so ein, wie es in der Tabelle unten gezeigt wird.

DipSW3-6	Externer Ausgangskontakt
EIN	Effektiv, wenn Thermo-EIN ist
AUS	Effektiv, wenn Betrieb-EIN (Fernbedienung-EIN)

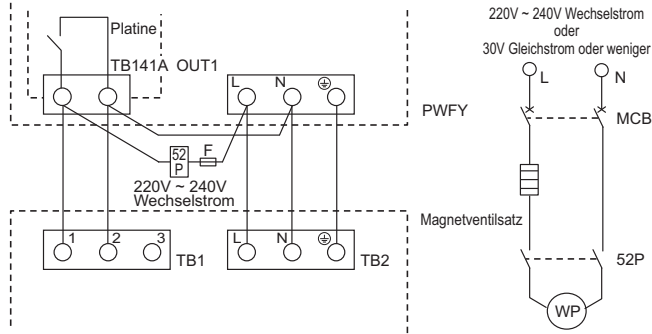
Achten Sie darauf, dass Sie den Netzanschluss der Pumpe eingeschaltet haben, da die Steuerung nicht funktioniert, wenn der Netzanschluss ausgeschaltet ist.

#### <PAC-SV01PW-E>

Nehmen Sie die Verdrahtung wie unter [Fig. 7.4.3] abgebildet vor beim Koppeln des Pumpenbetriebs mit anderen Einheiten UND beim Anschluss des Magnetventilsatzes (PAC-SV01PW-E) an ein System, welches die Außeneinheiten der Y-Serien, die Außeneinheiten der HP(ZUBADAN)-Serien, Innenheiten und PWFY-P100/P200VM-E1-AU umfasst.

Stellen Sie Dip SW3-6 auf ON (EIN). Stellen Sie sicher, dass die Softwareversion 1.18 oder höher beträgt.

[Fig. 7.4.3]



F: Sicherung

52P: Magnetschaltzschütz für die Wasserpumpe der Wärmequelle

MCB: Schutzschalter

WP: Wasserpumpe

## 8. Technische Daten der Kältemittel- und Kondensatablaufleitung

Um Tropfenbildung zu vermeiden, die Kältemittel- und Kondensatablaufleitung ausreichend gegen Schwitzwasserbildung sichern und mit Isoliermaterial ausstatten. Bei Einsatz von handelsüblichen Kältemittelleitungen dafür sorgen, daß handelsübliches Isoliermaterial (mit einer Hitzebeständigkeit von mehr als 100 °C und der nachstehend angegebenen Stärke) sowohl um die Flüssigkeits- als auch um die Gasrohre gewickelt wird.

Auch dafür sorgen, daß handelsübliches Isoliermaterial (mit einem spezifischen Gewicht für Schaumpolyäthylen von 0,03 und der nachstehend angegebenen Stärke) um alle Rohre, die durch Räume verlaufen, gewickelt wird.

① Auswahl der Stärke des Isoliermaterials nach Rohrgrößen.

Modell	PWFY-P100VM-E-BU	PWFY-P100VM-E1-AU	PWFY-P200VM-E1-AU
Gas	ø15,88	ø15,88	ø19,05
Flüssigkeit	ø9,52	ø9,52	ø9,52
Ablauf	ø32		
Stärke des Isoliermaterials	Mehr als 10 mm		

② Wenn die Anlage im obersten Stockwerk eines Gebäudes und unter Umgebungsbedingungen mit hoher Temperatur und hoher Luftfeuchtigkeit eingesetzt wird, ist es notwendig, Rohrgrößen und Isoliermaterialstärken zu verwenden, die über den in der Tabelle angegebenen liegen.

③ Wenn technische Angaben seitens des Kunden vorliegen, diese einfach befolgen.

### 8.1. Kältemittelrohr, Kondensatablaufrohr und Einfüllöffnung

[Fig. 8.1.1] (P.3)

- Ⓐ Kältemittel-Rohrsystem (Gas)
- Ⓑ Kältemittel-Rohrsystem (Flüssigkeit)
- Ⓒ Wassereinflaß
- Ⓓ Wasserauslauf
- Ⓔ Kondensatablauf
- \*1: PWFY-P100/200VM-E1-AU

## 9. Kältemittel- und Kondensatleitungen anschließen

### 9.1. Verrohrung der Kältemittelleitung

Die Verrohrung muß gemäß den Anweisungen im Aufstellhandbuch sowohl der Außenanlage als auch der BC-Steuerung (Baureihe R2 für gleichzeitiges Kühlen und Heizen) erfolgen.

- Die Baureihe R2 ist für den Betrieb in einem System ausgelegt, bei dem die Kältemittelleitung von einer Außenanlage durch eine BC-Steuerung übernommen und von dieser zum Anschluß an Innenanlagen abgezweigt wird.
- Angaben über weitere Bedingungen bezüglich Rohrlänge und zulässiger Höhendifferenz finden sich im Handbuch der Außenanlage.
- Die Rohrverbindung erfolgt im Wege des gelöteten Anschlusses.

#### ⚠ Vorsicht:

- Die Kältemittelleitungen für die Innenanlage gemäß der folgenden Angaben installieren.

1. Das Ende des Innenanlage-Rohres abschneiden, das Gas austreten lassen, und dann die gelötete Muffe abnehmen.

[Fig. 9.1.1] (P.3)

- Ⓐ An dieser Stelle schneiden
- Ⓑ Gelötete Muffe abnehmen

2. Die Wärmeisolierung an der Seite des Kältemittelleitungsrohres herausziehen, die Rohrleitungen der Anlage löten, und die Isolierung wieder an der ursprünglichen Stelle anbringen.

Die Rohrleitung mit Isolierband umwickeln.

#### Hinweis:

- Beim Umwickeln der Kupferrohre größte Vorsicht walten lassen, da sich durch das Umwickeln der Rohrleitung Kondenswasser bilden kann, anstatt dies zu verhindern.

\* Vor dem Löten der Kältemittelleitungen die Rohre am Anlagenkörper und die Wärmeisolierungsrohre immer mit feuchten Tüchern umwickeln, um Wärmeschrumpfen und Verbrennen der Wärmeisolierungsrohre zu vermeiden. Dafür sorgen, dass die Flamme nicht mit dem Anlagenkörper in Berührung kommt.

[Fig. 9.1.2] (P.3)

- Ⓐ Wärmeisolierung
- Ⓑ Isolierung abziehen
- Ⓒ Mit feuchtem Tuch umwickeln
- Ⓓ Wieder an ursprünglicher Stelle anbringen
- Ⓔ Dafür sorgen, daß an dieser Stelle keine Lücke ist
- Ⓕ Mit Isolierband umwickeln

### Vorsichtsmaßnahmen bei Kältemittelleitungen

- ▶ Dafür sorgen, daß zum Hartlöten nichtoxidierende Hartlötlösungen angewendet werden, um zu gewährleisten, daß keine Fremdstoffe oder Feuchtigkeit in die Rohrleitung eindringen.
- ▶ Kältemaschinenöl auf die Oberfläche des Sitzes der konischen Verbindung auftragen und den Anschluß mit einem Doppelschraubenschlüssel fest anziehen.
- ▶ Eine Metallklammer (Rohrschelle) zum Halten des Kältemittelleitungsrohres anbringen, damit die Last auf das Endrohr der Innenanlage verlegt wird. Diese Metallklammer (Rohrschelle) sollte 50 cm vom Konusanschluß der Innenanlage entfernt angebracht werden.

#### ⚠ Warnung:

- Verwenden Sie kein Kühlmittel eines Typs, welcher nicht in den mitgelieferten Anleitungen dieser Einheit oder auf der Namensplatte angegeben ist.
  - Anderenfalls kann dies während Reparaturarbeiten oder beim Entsorgen der Einheit zum Zerplatzen der Einheit oder der Leitungen, einer Explosion oder Brand führen.
  - Zudem kann dies gegen geltendes Recht verstoßen.
  - Die MITSUBISHI ELECTRIC CORPORATION übernimmt keine Haftung bei Fehlfunktionen oder Unfällen, die aufgrund der Verwendung eines falschen Kühlmitteltyps aufgetreten sind.
- Beim Installieren und Verlegen der Anlage kein anderes Kältemittel als das auf der Anlage angegebene Kältemittel (R407C oder R22) einfüllen.
  - Vermischung mit einem anderen Kältemittel, mit Luft etc. kann zu Fehlfunktionen des Kältemittelkreislaufs und zu schweren Schäden an der Anlage führen.

**⚠ Vorsicht:**

- **Kältemittelrohrleitungen aus phosphor-deoxidiertem Kupfer C1220 (Cu-DHP) gemäß Angaben in JIS H3300 "Nahtlose Rohrleitungen und Rohre aus Kupfer und Kupferlegierung" verwenden. Außerdem vergewissern, daß die Innen- und Außenflächen der Rohrleitungen sauber und frei von gefährlichem Kupfer, Oxyden, Staub/Schmutz, Metallbearbeitungsrückständen, Ölen, Feuchtigkeit oder anderen Verunreinigungen sind.**
- **Niemals vorhandene Kältemittelrohrleitungen einsetzen.**
  - Die große Menge Chlor in herkömmlichen Kältemitteln und Kältemaschinenöl in der vorhandenen Rohrleitung führt zu einer Qualitätsminderung des neuen Kältemittels.
- **Die zu verwendende Rohrleitung während der Installation in einem geschlossenen Raum aufbewahren und beide Enden der Rohrleitung bis unmittelbar vor dem Hartlöten abgedichtet lassen.**
  - Wenn Staub, Schmutz oder Wasser in den Kältemittelkreislauf gelangen, wird die Qualität des Öls gemindert, was zum Ausfall des Kompressors führen kann.

## 9.2. Verrohrung des Kondensatablaufs

1. Dafür sorgen, daß die Kondensatleitung in Richtung Außenanlage (Abwasserauslauf) geneigt ist (Verhältnis von mehr als 1/100). Keine Sammelgefäße oder nicht vorgesehene Einrichtungen auf der Strecke einbauen. (1)
2. Dafür sorgen, daß abzweigende Kondensatleitungen weniger als 20 m lang sind (unabhängig vom Steigungsunterschied). Bei langen Dränagerohren Metallklammern (Rohrschellen) anbringen, um Schwingungen zu verhindern. Niemals Luftabzugsrohre anbringen, da sonst Abwasser ausgestoßen wird.
3. Ein Hartvinylchlorid-Rohr VP-25 (mit einem Außendurchmesser von 32 mm) als Auslaufrohr verwenden.
4. Dafür sorgen, daß Sammelrohrleitungen 10 cm tiefer als der Abwasserausgang des Anlagenkörpers liegen, wie in (2) dargestellt.
5. Am Abwasserausgang keinen Geruchsabzug anbringen.
6. Das Ende des Auslaufrohrs an einer Stelle anbringen, an der kein Geruch entstehen kann.
7. Das Ende der Auslaufleitung nicht in einen Ablauf verlegen, in dem sich Ionen-Gase bilden können.

[Fig. 9.2.1] (P. 3)

- (A) Abwärtsneigung 1/100 oder mehr
- (B) Abflussleitung
- (C) Einheit
- (D) Sammelrohrleitung
- (E) Diese Länge auf etwa 10 cm maximieren

## 9.3. Vornahme der Elektroanschlüsse

Überprüfen und sicherstellen, daß die Modellbezeichnung in den Bedienungsanleitungen auf der Abdeckung des Schaltkastens mit der Modellbezeichnung auf der Typenplatte übereinstimmt.

Schritt 1

Die Schrauben, die die Abdeckung des Klemmenkastens sichern, abnehmen.

[Fig. 9.3.1] (P. 3)

- (A) Schrauben
- (B) Frontplatte
- (C) Schaltkasten

**Hinweis:**

**Vergewissern, daß die Elektroleitung beim Anbringen der Klemmenkastenabdeckung nicht gequetscht wird. Die Leitung kann durch Quetschen abgeschnitten werden.**

**⚠ Vorsicht:**

**Die Elektroleitung so verdrachten, daß sie weder zu eng ist noch unter Zugspannung steht. Verdrachtung unter Zugspannung kann zum Brechen, Überhitzen oder Verbrennen führen.**

- Die externe Eingangs-/Ausgangsverdrachtung der Stromversorgung zum Schaltkasten unter Verwendung der Pufferbuchsen zur Verhinderung von Zugspannung befestigen, um die Gefahr elektrischer Schläge zu vermeiden. (PG-Anschlüsse o.ä.). Die Übertragungsleitung durch das Loch zum Ausbrechen im Schaltkasten mit normalen Buchsen an die Übertragungsklemmleiste anschließen.
- Nach Abschluß der Verdrachtung erneut sicherstellen, daß an den Anschlüssen keine Lockerung vorhanden ist, und die Abdeckung in umgekehrter Reihenfolge des Abbaus am Schaltkasten wieder anbringen.

[Fig. 9.3.2] (P. 3)

- (A) Zur Verhinderung der Ausübung von äußerer Zugspannung auf die Leitungsanschlüsse im Bereich der Klemmleiste für die Netzkabel Pufferbuchsen wie PG-Anschlüsse o.ä. verwenden.
- (B) Externes Signaleingabe-Kabel
- (C) Externes Signalausgabe-Kabel
- (D) Netzanschlußkabel
- (E) Zugspannung
- (F) Normale Buchsen verwenden
- (G) Übertragungskabel und MA-Fernbedienungskabel

**⚠ Vorsicht:**

**Das Netzkabel so verdrachten, daß keine Zugspannung ausgeübt wird, da sonst Trennung vom Netz erfolgen sowie Überhitzung oder ein Brand entstehen kann.**

## 10. Elektroverdrachtung

### Vorsichtsmaßnahmen bei der elektrischen Verdrachtung

**⚠ Warnung:**

**Elektroarbeiten sollten nur durch qualifizierte Fachelektriker gemäß "Technische Normen für Elektroinstallation" und gemäß Installationshandbüchern vorgenommen werden. Es sollten auch eigens eingerichtete Stromkreise verwendet werden. Wenn der Stromkreis zu schwach ausgelegt ist oder Installationsfehler aufweist, besteht die Gefahr von Stromschlägen oder Brand.**

1. Dafür sorgen, daß die Netzstromversorgung über einen gesonderten Stromkreis erfolgt.
2. Dafür sorgen, daß ein Erdschlußstromunterbrecher in den Stromkreis installiert wird.
3. Die Anlage so installieren, daß verhindert wird, daß eines der Steuerkreiskabel (Fernbedienung, Übertragungskabel oder externe Eingangs-/Ausgangsleitung) in direkten Kontakt mit dem Netzstromkabel außerhalb der Anlage gebracht werden kann.
4. Dafür sorgen, daß keiner der Elektroleitungsanschlüsse zu lose gespannt ist oder einen Wackelkontakt aufweist.
5. Einige Kabel (für Netzstrom, Fernbedienungs, Übertragungskabel oder externe Eingangs-/Ausgangsleitung), die oberhalb der Decke angeordnet sind, können Mäuseverbiß ausgesetzt sein. Daher Kabel zum Schutz soweit wie möglich in Metallrohre verlegen.

#### 1. Übertragungskabel PWFY-P100VM-E-BU

	Übertragungskabel	Kabel der MA-Fernbedienung	Externer Eingang	Externer Ausgang
Kabelart	Abgeschirmte Leitung (2-adrig) CVVS, CPEVS oder MVVS	Umhüllte, 2-adrige Leitung (abgeschirmt) CVVS	Umhüllte, mehradrige Leitung (abgeschirmt) CVVS oder MVVS	Umhüllte, mehradrige Leitung (abgeschirmt) CVVS oder MVVS
Kabeldurchmesser	Mehr als 1,25 mm <sup>2</sup>	0,3 ~ 1,25 mm <sup>2</sup> (0,75 ~ 1,25 mm <sup>2</sup> )*1	0,3 ~ 0,5 mm <sup>2</sup>	0,3 ~ 1,25 mm <sup>2</sup>
Anmerkungen	-	Max. Länge: 200 m	Max. Länge: 100 m	Nennspannung: L1-N: 220 - 240 V Nennlast: 0,6 A

6. Netzstromkabel niemals an die Zuleitung für die Übertragungskabel anschließen, da sonst die Kabel brechen können.
7. Dafür sorgen, daß die Innenanlage, die Fernbedienung und die Außenanlage mit Steuerkabeln verbunden sind.
8. Sicherstellen, dass die Anlage geerdet ist.
9. Steuerkabel gemäß den auf Seite 19 angegebenen Betriebsbedingungen auswählen.

**⚠ Vorsicht:**

**Dafür sorgen, daß die Anlage zur Seite der Außenanlage hin geerdet wird. Die Erdleitung nicht an Gasrohre, Wasserrohre, Beleuchtungsstäbe oder Telefonerdleitungen anschließen. Unsachgemäße Erdung kann zu Stromschlägen führen.**

### Steuerkabelarten

#### 1. Übertragungskabel für die Verdrachtung

- Übertragungskabelarten  
Den Schaltplan für die Verdrachtung gemäß der nachstehenden Tabelle <Tabelle 1> gestalten.
- Verwenden Sie unbedingt die mit der zusätzlichen Isolierung mitgelieferten Kabel.

	Übertragungskabel	Kabel der MA-Fernbedienung	Externer Eingang	Externer Ausgang
Kabelart	Abgeschirmte Leitung (2-adrig) CVVS, CPEVS oder MVVS	Umhüllte, 2-adrige Leitung (abgeschirmt) CVVS	Umhüllte, mehradrige Leitung (abgeschirmt) CVVS oder MVVS	Umhüllte, mehradrige Leitung (abgeschirmt) CVVS oder MVVS
Kabeldurchmesser	Mehr als 1,25 mm <sup>2</sup>	0,3 ~ 1,25 mm <sup>2</sup> (0,75 ~ 1,25 mm <sup>2</sup> )*1	0,3 ~ 0,5 mm <sup>2</sup>	0,3 ~ 1,25 mm <sup>2</sup>
Anmerkungen	-	Max. Länge: 200 m	Max. Länge: 100 m	Nennspannung: L1-N: 220 - 240 V Nennlast: 0,6 A

\*1 Anschluß an eine einfache Fernbedienung. CVVS, MVVS : Mit PVC isoliertes, mit PVC ummanteltes, abgeschirmtes Steuerkabel  
 CVV, MVV : Mit PVC isoliertes, mit PVC umhülltes Steuerkabel  
 CPEVS : Mit PE isoliertes, mit PVC ummanteltes, abgeschirmtes Datenübertragungskabel

## 10.1. Netzstromverdrahtung

- Die Netzstromkabel für Geräte sollen mindestens dem Entwurf 245 IEC 57 oder 227 IEC 57 entsprechen.
- Bei der Installierung der Klimaanlage ist ein Schalter mit einem Kontaktabstand von mindestens 3 mm für jeden Pol vorzusehen.

## ELEKTROARBEITEN

### 1. Elektrische Eigenschaften

Modell	Betriebsstrom				Kompressor		RLA (A)
	Hz	Volt	Spannungsbereich	MCA (A)	Ausgang (kW)	SC (A)	Heizen
PWFY-P100VM-E-BU	50/60	220-230-240 V	Max. 264 V Min. 198 V	15,71	1,0	1,25	11,63-11,12-10,66

Modell	Betriebsstrom				RLA (A)	
	Hz	Volt	Spannungsbereich	MCA (A)	Kühlung	Heizen
PWFY-P100VM-E1-AU PWFY-P200VM-E1-AU	50/60	220-230-240 V	Max. 264 V Min. 198 V	0,085	0,068-0,065-0,063	

### 2. Netzstromkabelspezifikationen

Modell	Minimale Kabeldicke (mm <sup>2</sup> )			Unterbrecher für Leckstrom	Örtlicher Schalter (A)		Unterbrecher für Verdrahtung (NFB) (A)
	Hauptkabel	Abzweigung	Erde		Kapazität	Sicherung	
PWFY-P100VM-E-BU	2,5	-	2,5	30 A 30 mA 0,1 s oder weniger	25	25	30

Modell	Gesamter Betriebsstrom	Minimale Kabeldicke (mm <sup>2</sup> )			Unterbrecher für Leckstrom	Örtlicher Schalter (A)		Unterbrecher für Verdrahtung (NFB) (A)
		Hauptkabel	Abzweigung	Erde		Kapazität	Sicherung	
PWFY-P100VM-E1-AU	16 A oder weniger	1,5	1,5	1,5	20 A 30 mA 0,1 s oder weniger	16	16	20
PWFY-P200VM-E1-AU	25 A oder weniger	2,5	2,5	2,5	30 A 30 mA 0,1 s oder weniger	25	25	30
	32 A oder weniger	4,0	4,0	4,0	40 A 30 mA 0,1 s oder weniger	32	32	40

[Fig. 10.1.1] (P. 4)

- Ⓐ Unterbrecher für Leckstrom
- Ⓑ Lokaler Schalter oder Unterbrecher für Verdrahtung
- Ⓒ PWFY-P100VM-E-BU
- Ⓓ PWFY-P100/200VM-E1-AU
- Ⓔ Verteilerkasten

### ⚠ Vorsicht:

Nur Unterbrecher und Sicherungen mit der richtigen Kapazität verwenden. Bei Verwendung von Sicherungen, Leitungen oder Kupferleitungen mit zu großer Leistungsaufnahme besteht die Gefahr der Fehlfunktion oder Brandgefahr.

## 10.2. Anschluß der Fernbedienungs-, Innen- und Außenübertragungskabel

(Die Fernbedienung ist wahlweise als Zubehör erhältlich)

- Anschlus der Anlage TB5 und der Außenanlage TB3. (Nichtpolarisiert 2-adrig (Abschirmung))  
Das "S" auf der Anlage TB5 ist ein abgeschirmter Leitungsanschluss. Angaben über die technischen Daten der Anschlußkabel finden sich in den Montagehandbüchern der Außenanlage.
- Eine Fernbedienung entsprechend den Angaben im zur Fernbedienung gehörenden Handbuch installieren.
- "1" und "2" am TB15 der Anlage an eine MA-Fernbedienung anschließen. (nicht polarisierte, zweiadrige Elektroleitung)

[Fig. 10.2.1] (P.4) MA-Fernbedienung

- DC 10 bis 13 V zwischen 1 und 2 (MA-Fernbedienung)

[Fig. 10.2.2] (P.4) MA-Fernbedienung

- Die MA-Fernbedienung kann nicht gleichzeitig oder wechselweise verwendet werden.

- Ⓐ Nicht polarisiert
- Ⓑ TB15 (Kabel der MA Fernbedienung)
- Ⓒ MA-Fernbedienung
- Ⓓ TB5 (Übertragungskabel)
- Ⓔ TB2 (Netzstromverdrahtung)

### Hinweis:

Vergewissern, daß die Elektroleitung beim Anbringen der Klemmenkastenabdeckung nicht gequetscht wird. Die Leitung kann durch Quetschen abgeschnitten werden.

### ⚠ Vorsicht:

- Kabel mit zusätzlicher Isolierung verwenden.
- Der Eingang zu TB142A, TB142B und TB142C soll keine Spannung führen.
- Kabel vom an einem externen Eingang/Ausgang angeschlossenen Geräten müssen zusätzliche Isolierung haben.
- Ein einzelnes mehradrige Kabel für externen Eingang/Ausgang verwenden, um Anschluss an die PG-Schraube zu erlauben.

### ⚠ Vorsicht:

Das Netzkabel so verdrchten, daß keine Zugspannung ausgeübt wird, da sonst Trennung vom Netz erfolgen sowie Überhitzung oder ein Brand entstehen kann.

## 10.3. Externe Eingang/Ausgang-Funktion

### Vorwahltemperatur-Eingabe (externe analoge Eingabe: 4 mA - 20 mA)

Externe Eingabe geschieht über CN421, CN422 auf der Leiterplatte. (Fig. 10.3.1) Den mitgelieferten Anschluss verwenden.

Wenn keine Temperatureinstellungen über die MA-Fernbedienung vorgenommen werden, ändert sich die Temperatur mit dem Strom.

Zur Vornahme der Einstellungen siehe mit der MA-Fernbedienung mitgelieferte Bedienungsanleitung.

4 mA → 10 °C      20 mA → 70 °C

### Hinweis:

Verwenden Sie ein isoliertes Signalausgabegerät von 4 bis 20 mA.

### Externe Ausgangsklemme

Externe Ausgangsklemme (siehe Fig. 10.3.2) ist unwirksam, wenn der Schaltkreis offen ist.

Siehe Tabelle 10.3.2 für Information über jeden Kontakt.

Der Strom und die Spannung im Kreislauf, die mit dem externen Ausgangsanschluss verbunden werden (TB141A OUT1), müssen die folgenden Bedingungen erfüllen.

Kontakt-nennspannung	Kontakt-nennstrom	
	AC250V	1A oder weniger
	AC125V	3A oder weniger
DC30V	3A oder weniger	

**Tabelle 10.3.2**

OUT1	Bedienung ON/OFF (EIN/AUS)
OUT2	Entfrosteten
OUT3	Kompressor
OUT4	Fehlersignal

**Externer Eingangsklemme**

Die Kabellänge muss innerhalb von 100 m sein.  
Externe Eingangsklemme (siehe Fig. 10.3.3) ist unwirksam, wenn der Schaltkreis offen ist.

Siehe Tabelle 10.3.3 bis Tabelle 10.3.5 für Information über jeden Kontakt.  
Nur die Funktion "Pumpenverriegelung" ist unwirksam, wenn der Schaltkreis kurzgeschlossen ist.

Einen Relaischaltkreis an die externe Ausgangsklemme anschließen, wie in Fig. 7.4.1 gezeigt.

Die Spezifikationen für den anzuschließenden Relaischaltkreis müssen die folgenden Bedingungen erfüllen.

Kontakt-Nennspannung  $\geq$  DC15V

Kontakt-Nennstrom  $\geq$  0,1A

Minimal anwendbare Last  $\leq$  1mA bei DC

**Tabelle 10.3.3**

**<PWFY-P100VM-E-BU>**

TB142A

IN1	Pumpenverriegelung
-----	--------------------

**<PWFY-P100/200VM-E1-AU>**

TB142A

IN1	Strömungsschalter
-----	-------------------

**Tabelle 10.3.4**

TB142B

IN3	Anschlussanforderung
IN4	Bedienung ON/OFF (EIN/AUS)

**Tabelle 10.3.5**

TB142C

COM+	Gemeinsam
IN5*1	Heißwasser/Heizen
IN6*2	Heizen ECO
IN7*3	Frostschutz

\*1 PWFY-P100VM-E-BU Heißwasser

PWFY-P100/200VM-E1-AU Heizen

\*2 Wirksam, wenn SW 4-3 auf ON (EIN) gestellt ist.

\*3 Wirksam, wenn SW 4-4 auf ON (EIN) gestellt ist.

\*4 Wenn Heiz-ECO oder Anti-Frost-Modus eingestellt werden, stellen Sie alle Netzanschlüsse aller Geräte zurück (außen-/innengeräte).

## 10.4. Adressen einsetzen

(Dafür sorgen, daß bei den Arbeiten der Netzstrom auf AUS geschaltet ist.)

**[Fig. 10.4.1] (P. 4)**

<Adressplatte>

- Zur Einstellung gibt es zwei Arten von Rotationsschaltern: Zur Einstellung der Adressen von 1 – 9 und über 10 sowie zur Einstellung der Abzweigungsnummern.
  - Wie stellt man Adressen ein  
Beispiel: Wenn die Adresse "3" ist, SWU2 (für größer als 10) bei "0" lassen und SWU1 (für 1 – 9) auf "3" einstellen.
  - Einstellen der Zweignummern SWU3 (nur Serie R2)  
Die Kältemittelrohrleitung der Innenanlage muss mit der Endanschlussnummer der BC-Steuerung übereinstimmen. Alle außer R2 bei "0" lassen.
- Die Drehschalter sind bei Versand ab Werk alle auf "0" eingestellt. Diese Schalter können beliebig zur Einstellung der Anlagenadressen und Abzweigungsnummern verwendet werden.
- Die Festlegung der Adressen der Innengeräte variiert mit der Anlage vor Ort. Stellen Sie diese mithilfe des Datenheftes (Data Book) ein.

## 11. Informationen auf dem Typenschild

**⚠ Warnung:**

Verwenden Sie kein Kühlmittel eines Typs, welcher nicht in den mitgelieferten Anleitungen dieser Einheit oder auf der Namensplatte angegeben ist.

- Anderenfalls kann dies während Reparaturarbeiten oder beim Entsorgen der Einheit zum Zerplatzen der Einheit oder der Leitungen, einer Explosion oder Brand führen.
- Zudem kann dies gegen geltendes Recht verstoßen.
- Die MITSUBISHI ELECTRIC CORPORATION übernimmt keine Haftung bei Fehlfunktionen oder Unfällen, die aufgrund der Verwendung eines falschen Kühlmitteltyps aufgetreten sind.

Modell		PWFY-P100VM-E-BU	PWFY-P100VM-E1-AU	PWFY-P200VM-E1-AU
Kältemittel (kg)	R134a	1,1	-	-
	R410A	4,15	4,15	4,15
	Wasser	1,0	1,0	1,0
Zulässiger Druck (MPa)				
Zulässiger Druck (MPa)	R134a	3,60	-	-
	Wasser	1,0	1,0	1,0
Nettogewicht (kg)		60	35	38

1. Consignes de sécurité .....	22	7.3. Traitement de l'eau et contrôle de la qualité de l'eau .....	26
1.1. Avant l'installation de l'appareil et l'installation électrique .....	22	7.4. Engrenage des pompes .....	26
1.2. Précautions d'utilisation pour les appareils qui contiennent du réfrigérant R410A .....	23	8. Spécifications techniques des tuyaux de réfrigérant et du tuyau d'écoulement .....	27
1.3. Avant de procéder à l'installation .....	23	8.1. Tuyau de réfrigérant, tuyau d'écoulement et port de remplissage .....	27
1.4. Avant de procéder à l'installation (déplacement)-installation électrique .....	23	9. Raccordement des tuyaux de réfrigérant et d'écoulement .....	27
1.5. Avant d'effectuer l'essai .....	23	9.1. Mise en place des tuyaux de réfrigérant .....	27
2. À propos du produit .....	24	9.2. Travaux de mise en place du tuyau d'écoulement .....	28
3. Caractéristiques techniques .....	24	9.3. Connexions électriques .....	28
4. Confirmation des pièces jointes .....	24	10. Câblage électrique .....	28
5. Comment soulever l'appareil .....	25	10.1. Câblage de l'alimentation électrique .....	29
6. Installation de l'appareil et espace de service .....	25	10.2. Raccordement des câbles de la commande à distance et des câbles de transmission intérieurs et extérieurs .....	29
6.1. Installation .....	25	10.3. Fonction d'entrée/sortie externes .....	29
6.2. Espace de service .....	25	10.4. Configuration des adresses .....	30
7. Installation du tuyau d'eau .....	25	11. Informations sur la plaque signalétique .....	30
7.1. Précautions à prendre pendant l'installation .....	25		
7.2. Mise en place de l'isolation .....	25		

## 1. Consignes de sécurité

### 1.1. Avant l'installation de l'appareil et l'installation électrique

▶ Avant d'installer le climatiseur, lire attentivement toutes les "Consignes de sécurité".  
 ▶ Les "Consignes de sécurité" reprennent des points très importants concernant la sécurité. Veillez bien à les suivre.

#### Symboles utilisés dans le texte


##### Avertissement:


Précautions à suivre pour éviter tout danger de blessure ou de décès de l'utilisateur.

##### Précaution:


Précautions à suivre pour éviter tout endommagement de l'appareil.


#### Symboles utilisés dans les illustrations

 : Indique une action qui doit être évitée.

 : Indique des instructions importantes à suivre.

 : Indique un élément à mettre à la terre.

 : Danger d'électrocution. (Ce symbole se trouve sur l'étiquette de l'appareil principal.) <Couleur: jaune>

 : Attention surface chaude.

##### Avertissement:

Lisez soigneusement les étiquettes se trouvant sur l'appareil principal.

##### Avertissement:

- Si le cordon d'alimentation est endommagé, il doit être remplacé par le fabricant, un agent d'entretien ou une personne qualifiée de manière à éviter tout risque.
- Cet appareil n'est pas destiné à être utilisé par des personnes (enfants inclus) dont les capacités mentales, sensorielles ou physiques sont réduites, ou qui ne disposent pas de l'expérience et des connaissances requises, sauf si une personne responsable de leur sécurité assure leur surveillance ou leur formation dans le cadre de l'utilisation de l'appareil.
- Utilisez uniquement un réfrigérant de type indiqué dans les manuels fournis avec l'unité et sur la plaque signalétique.
  - Faute de quoi, l'unité ou la tuyauterie pourrait éclater, ou cela pourrait provoquer une explosion ou un incendie pendant l'utilisation, la réparation ou la mise au rebut de l'unité.
  - Cela pourrait également constituer une violation des lois applicables.
  - MITSUBISHI ELECTRIC CORPORATION ne peut être tenue responsable de tout dysfonctionnement ou accident résultant de l'utilisation du mauvais type de réfrigérant.
- Ne pas utiliser de tuyaux en acier comme tuyaux d'eau.
  - Les tuyaux en cuivre sont recommandés.
- Le circuit d'eau devrait être un circuit fermé.
- Demandez à votre revendeur ou à un technicien agréé d'installer le climatiseur.
  - En cas de mauvaise installation, il y aurait un risque de fuite d'eau, d'électrocution ou d'incendie.
- Installer l'appareil dans un endroit capable de supporter son poids.
  - Autrement l'appareil risque de tomber et de blesser quelqu'un.
- Ne pas toucher l'appareil. Sa surface peut être très chaude.
- Ne pas installer l'appareil à un endroit exposé à des gaz corrosifs.

- Utilisez les câbles mentionnés pour les raccordements. Assurez-vous que les connexions soient effectuées correctement de façon à ce que la force externe du câble ne s'applique pas aux bornes.

- Un mauvais raccordement pourrait provoquer une surchauffe, voire un incendie.
- Lors de l'installation de l'appareil à l'emplacement spécifié, prenez en compte les facteurs naturels tels que la pluie, l'humidité et ou les tremblements de terre.

- L'appareil pourrait tomber et par conséquent blesser quelqu'un si l'installation n'est pas effectuée correctement.

- Toujours utiliser un filtre à tamis et les autres accessoires spécifiés par Mitsubishi Electric.

- Un mauvais raccordement par un technicien agréé d'installer les accessoires. Une mauvaise installation par l'utilisateur pourrait provoquer des fuites d'eau, électrocution ou un incendie.

- Ne réparez jamais vous-même l'appareil. En cas de réparation nécessaire, veuillez consulter le revendeur.

- Toute mauvaise réparation pourrait résulter en des fuites d'eau, chocs électriques ou incendies.

- Ne pas toucher les tuyaux de réfrigérant ni les tuyaux d'eau.

- Vous risqueriez de vous blesser.

- Toujours revêtir des vêtements de protection pour manipuler ce produit.

- Par ex.: gants, protection intégrale des bras par combinaison et lunettes de sécurité.

- Vous risqueriez de vous blesser.

- En cas de fuite de gaz durant l'installation, aérez la pièce.

- Si le gaz réfrigérant entre en contact avec une flamme, il y aura émission de gaz toxiques.

- Installer l'appareil en respectant les instructions du manuel d'installation.

- En cas d'installation incorrecte, il y aura un risque de fuites d'eau, d'électrocution ou d'incendie.

- Demandez à un électricien qualifié d'effectuer l'installation électrique conformément aux "Normes concernant les installations électriques" et les "Réglementations sur le câblage intérieur" ainsi que les instructions de ce manuel; utilisez toujours un circuit différent.

- Si la capacité de la source d'alimentation n'est pas adéquate ou si l'installation électrique n'est pas effectuée correctement, il y aura un risque d'électrocution ou d'incendie.

- Maintenez les pièces électriques à l'abri de l'eau (eau de lavage etc.).

- Sinon une électrocution, un incendie ou de la fumée pourrait en résulter.

- Mettez fermement en place le couvercle des bornes de l'appareil extérieur (panneau).

- Si le couvercle des bornes (panneau) n'est pas mis en place correctement, il se peut que de la poussière ou de l'eau s'infilte dans l'appareil extérieur et par conséquent il y aura un risque d'incendie ou d'électrocution.

- Lors du déplacement et de l'installation du climatiseur à un endroit différent, ne le remplissez pas d'un réfrigérant différent, utilisez le réfrigérant (R410A) spécifié sur l'appareil.

- Lorsqu'un réfrigérant différent est mélangé au réfrigérant d'origine, il se peut que le cycle du réfrigérant ne fonctionne pas correctement et que l'appareil soit endommagé.

- Si le climatiseur est installé dans une pièce relativement petite, certaines mesures doivent être prises pour éviter que la concentration de réfrigérant ne dépasse le seuil de sécurité en tenant compte des possibilités de fuites de réfrigérant.

- Consultez votre revendeur sur les précautions nécessaires à prendre afin que la limite admissible ne soit pas dépassée. Si le réfrigérant fuit et que la limite admissible est dépassée, il pourrait se produire des accidents suite au manque d'oxygène dans la pièce.

- Veuillez consulter votre revendeur ou un technicien agréé lors du déplacement et de l'installation du climatiseur dans un différent endroit.

- Une mauvaise installation du climatiseur pourrait résulter en fuites d'eau, électrocution ou un incendie.

- **L'installation terminée, assurez-vous qu'il n'y a aucune fuite de gaz.**
  - Si le gaz réfrigérant fuit et entre en contact avec un radiateur soufflant, un poêle, un four ou toute autre source de chaleur, il se peut que des gaz toxiques soient relâchés.
- **Ne réarrangez pas et ne changez pas les réglages des dispositifs de sécurité.**
  - Si l'interrupteur de pression, l'interrupteur thermique ou tout autre dispositif de sécurité sont court-circuités ou utilisés avec trop de force, ou si toutes autres pièces que celles spécifiées par Mitsubishi Electric sont utilisées, il y aura un risque d'incendie ou d'explosion.
- **Demandez conseil à votre revendeur avant de mettre le produit aux rebuts.**
- **L'installateur et le spécialiste de climatisation doivent respecter la réglementation et les normes locales concernant les risques de fuite et prendre les mesures nécessaires pour les éliminer.**
  - Les normes suivantes devraient être appliquées en cas d'absence de réglementation locale.
- **Faire particulièrement attention aux endroits, sous-sol ou autres, où les gaz frigorifiques peuvent s'accumuler, parce qu'ils sont plus lourds que l'air.**
- **Les enfants doivent être surveillés de manière à ce qu'ils ne puissent pas jouer avec l'appareil.**

## 1.2. Précautions d'utilisation pour les appareils qui contiennent du réfrigérant R410A

### ⚠ Avertissement:

- **Utilisez uniquement un réfrigérant de type indiqué dans les manuels fournis avec l'unité et sur la plaque signalétique.**
  - Faut de quoi, l'unité ou la tuyauterie pourrait éclater, ou cela pourrait provoquer une explosion ou un incendie pendant l'utilisation, la réparation ou la mise au rebut de l'unité.
  - Cela pourrait également constituer une violation des lois applicables.
  - MITSUBISHI ELECTRIC CORPORATION ne peut être tenue responsable de tout dysfonctionnement ou accident résultant de l'utilisation du mauvais type de réfrigérant.

### ⚠ Précaution:

- **N'utilisez pas les tuyaux de réfrigérant actuels.**
  - Le vieux réfrigérant et l'huile réfrigérante se trouvant dans les tuyaux contiennent une large quantité de chlore qui pourrait abîmer l'huile réfrigérante du nouvel appareil.
  - Le R410A est un réfrigérant sous haute pression pouvant entraîner une explosion des tuyaux existants.
- **Utilisez des tuyaux réfrigérants en cuivre désoxydé au phosphore C1220 (Cu-DHP) comme l'indique le chapitre "Tuyaux et tubes en cuivre ou en alliage de cuivre sans soudure" du JIS H3300. Veillez également à ce que les surfaces internes et externes des tuyaux soient propres et sans soufre, oxyde, poussière/impuretés, rognures, huile, condensation ou autre particule contaminante.**
  - Tout contaminant à l'intérieur des tuyaux de réfrigérant pourrait provoquer la détérioration de l'huile réfrigérante résiduelle.
- **Gardez les tuyaux à l'intérieur de l'immeuble et gardez les deux extrémités du tuyau couvertes jusqu'à ce que vous soyez prêt à les braser. (Gardez les joints articulés et autres joints dans des sacs en plastique.)**
  - Si de la poussière, de la saleté ou de l'eau s'infiltré dans le cycle du réfrigérant, le réfrigérant risque de se détériorer et le compresseur risque de ne pas fonctionner correctement.
- **Appliquez une petite quantité de réfrigérant comme l'huile ester, éther ou alkylbenzène sur les évaselements et les connexions à brides.**
  - L'huile réfrigérante se détériorera si elle est mélangée à une grande quantité d'huile minérale.
- **Utilisez un réfrigérant liquide pour remplir le système.**
  - Si l'on utilise du gaz réfrigérant pour rendre le système hermétique, la composition du réfrigérant se trouvant dans le cylindre changera et il se peut que la performance ne soit plus aussi bonne.
- **N'utilisez aucun autre réfrigérant que le R410A.**
  - Si un autre frigorigène (R22, etc.) est mélangé au R410A, le chlore dans le frigorigène peut détériorer l'huile frigorigène.
- **Utilisez une pompe à vide équipée d'une valve de contrôle de flux inverse.**
  - Il se peut que l'huile de la pompe à vide reparte dans le cycle du réfrigérant ce qui entraînerait la détérioration de l'huile réfrigérante.
- **N'utilisez pas les outils énumérés ci-dessous, destinés aux réfrigérants traditionnels.**

(Jauge collectrice, tuyau de charge, détecteur de fuite de gaz, valve de contrôle de flux inverse, base de remplissage du réfrigérant, équipements de récupération de réfrigérant)

  - Si le réfrigérant conventionnel et l'huile réfrigérante sont mélangés dans le R410A, le réfrigérant peut se détériorer.
  - Si de l'eau est mélangée dans le R410A, l'huile réfrigérante peut se détériorer.
  - Etant donné que le R410A ne contient pas de chlore, les détecteurs de fuite de gaz conventionnels seront inopérants.
- **N'utilisez pas de cylindre de charge.**
  - Autrement le réfrigérant pourrait se détériorer.
- **Faites particulièrement attention lors de l'utilisation des outils.**
  - Si de la poussière, de la saleté ou de l'eau s'infiltré dans le cycle du réfrigérant, il se peut que le réfrigérant se détériore.

## 1.3. Avant de procéder à l'installation

### ⚠ Précaution:

- **N'installez pas l'appareil dans un endroit sujet aux fuites de gaz inflammables.**
  - S'il y a une fuite de gaz et que le gaz s'accumule autour de l'appareil, il y aura des risques d'explosion.
- **N'utilisez pas le climatiseur près d'animaux ou de plantes ou près d'aliments, d'instruments de précision ou d'objets d'art.**
  - La qualité d'aliments etc. pourrait en souffrir.
- **N'utilisez pas le climatiseur dans certains environnements.**
  - L'huile, la vapeur, la fumée sulfurique, etc. peuvent considérablement réduire la performance du climatiseur ou en endommager les pièces.
- **Lors de l'installation de l'appareil dans un hôpital, une station de communications ou tout endroit similaire, veillez à ce qu'il soit correctement protégé contre le bruit.**
  - Les équipements onduleurs, générateurs privés, équipements médicaux à haute fréquence ou de communication radiophonique peuvent empêcher le climatiseur de fonctionner ou de fonctionner proprement. De plus, il se peut que le climatiseur ait un effet nuisible sur ce genre d'équipements en faisant du bruit qui générerait les traitements médicaux ou l'envoi d'images.
- **N'installez pas l'appareil sur une structure qui pourrait causer des fuites.**
  - Lorsque l'humidité de la pièce dépasse 80 % ou lorsque le tuyau d'écoulement est bouché, il se peut que des gouttes d'eau tombent de l'appareil intérieur. Fournir une voie d'écoulement commune avec l'appareil, si nécessaire.

## 1.4. Avant de procéder à l'installation (déplacement)-installation électrique

### ⚠ Précaution:

- **Mettez l'appareil à la terre.**
  - Ne branchez pas le fil de mise à la terre à un tuyau de gaz ou d'eau, un paratonnerre ou câble téléphonique de terre. Une mauvaise mise à la terre peut provoquer des risques d'électrocution.
- **Installez le câble d'alimentation de façon à ce qu'il ne soit pas tendu.**
  - Autrement le fil pourrait se rompre, engendrant un surchauffage et par conséquent des risques d'incendie.
- **Installez un disjoncteur, comme spécifié.**
  - Sans disjoncteur, il y aura risque d'électrocution.
- **Utilisez des câbles d'alimentation dont la capacité à distribuer le courant et la valeur nominale sont adéquates.**
  - Si les câbles sont trop petits, il est possible qu'il y ait des fuites, entraînant un surchauffage qui en retour pourrait causer un incendie.
- **Utilisez uniquement un disjoncteur et un fusible de la valeur indiquée.**
  - Si un fusible ou disjoncteur de plus grande valeur ou un fil en acier ou en cuivre est utilisé, il se peut que l'appareil ne fonctionne pas ou qu'il y ait un risque d'incendie.
- **Ne lavez pas les différents éléments du climatiseur.**
  - Autrement il y aurait un risque de choc électrique.
- **Assurez-vous que la base d'installation ne soit pas abîmée à cause d'un usage prolongé.**
  - Si l'endommagement n'est pas réparé, l'appareil pourrait tomber et par conséquent blesser quelqu'un ou abîmer le mobilier ou d'autres biens.
- **Installez les tuyaux d'écoulement conformément aux instructions du manuel d'installation afin d'assurer que l'écoulement se fait correctement. Enveloppez les tuyaux de matériaux isolants afin d'empêcher la formation de condensation.**
  - Si les tuyaux d'écoulement ne sont pas installés correctement, il se peut qu'il y ait des fuites d'eau et par conséquent des dégâts au mobilier ou à d'autres biens.
- **Faites attention pendant le transport de l'appareil.**
  - Cet appareil doit être porté par au moins deux personnes s'il pèse plus de 20 kg.
  - Certains appareils sont emballés à l'aide de courroies PP. N'utilisez pas de courroies PP pour le transport de l'appareil, car cela est dangereux.
  - Lors du transport de l'appareil, apporter un support aux endroits indiqués sur la base de l'appareil. Fournir un support à quatre points à l'appareil afin de l'empêcher de glisser sur les côtés.
- **Jetez les emballages dans un endroit où ils ne présenteront aucun risque pour quiconque.**
  - Il est possible de se blesser sur les matériaux utilisés pour l'emballage, par exemple les clous ou autres pièces métalliques ou en bois.
  - Déchirez et jetez les sacs d'emballage en plastique de façon à ce qu'ils soient hors de la portée des enfants pour éviter tout risque de suffocation.

## 1.5. Avant d'effectuer l'essai

### ⚠ Précaution:

- **Le code d'erreur "7130" apparaît lorsque les deux conditions suivantes sont réunies.**
  - L'appareil PWFY est connecté à l'appareil extérieur de série Y.
  - La version du logiciel est celle listée ci-dessous.
    - Série PWFY: antérieur à la version. 1.13
    - Série Y (YHM): antérieur à la version. 12.27
    - Série Y (YJM): antérieur à la version. 1.31
    - Série Replace Y (YJM): antérieur à la version. 11.31
    - Série HP (ZUBADAN): antérieur à la version. 22.27
    - Séries WY: antérieur à la version. 12.29

- **Mettez l'appareil sous tension au moins 12 heures avant de le faire fonctionner.**
  - La mise en marche de l'appareil immédiatement après sa mise sous tension pourrait provoquer de sérieux dégâts aux éléments internes. Ne mettez pas l'appareil hors tension pendant la saison de fonctionnement.
- **Ne touchez pas les interrupteurs avec les doigts mouillés.**
  - Vous risqueriez d'être électrocuté.
- **Ne touchez pas les tuyaux de réfrigérant pendant ou immédiatement après le fonctionnement.**
  - Les tuyaux sont parfois chauds ou froids pendant ou immédiatement après le fonctionnement de l'appareil, selon la condition du réfrigérant coulant dans les tuyaux de réfrigérant, le compresseur et les autres parties du cycle de réfrigérant. En les touchant vous risqueriez de brûler ou geler les mains.
- **Ne faites pas fonctionner le climatiseur lorsque les panneaux et dispositifs de sécurité ont été enlevés.**
  - Les éléments tournants, chauds ou sous haute tension peuvent en effet être dangereux et vous risqueriez de vous blesser.
- **Ne mettez pas l'appareil immédiatement hors tension après son fonctionnement.**

- Attendez au moins cinq minutes avant de le mettre hors tension. Autrement, il y aura un risque de fuite d'eau ou de mauvais fonctionnement.
- **Ne pas toucher la surface du compresseur pendant l'entretien.**
  - Si l'appareil est raccordé à l'alimentation et ne tourne pas, le chauffage du carter moteur dans le compresseur fonctionne.
- **Ne pas toucher les panneaux près de la sortie d'air à mains nues : ils peuvent être très chauds pendant que l'appareil fonctionne (même s'il est arrêté) ou immédiatement après et peuvent causer des brûlures. Porter des gants pour se protéger les mains avant de toucher les panneaux.**
- **Lorsque l'appareil fonctionne ou immédiatement après, un air extrêmement chaud peut être expulsé par les sorties d'air. Ne pas bloquer la sortie avec les mains ni toucher les panneaux autour de la sortie.**
- **Laisser un passage pour permettre à l'air chaud expulsé par le ventilateur de sortir.**
- **Les tuyaux d'eau peuvent devenir très chauds, selon le préchauffage de température. Envelopper les tuyaux d'eau avec des matières isolantes pour éviter toute brûlure.**

## 2. À propos du produit

### ⚠ Avertissement:

- **Utilisez uniquement un réfrigérant de type indiqué dans les manuels fournis avec l'unité et sur la plaque signalétique.**
  - Faute de quoi, l'unité ou la tuyauterie pourrait éclater, ou cela pourrait provoquer une explosion ou un incendie pendant l'utilisation, la réparation ou la mise au rebut de l'unité.
  - Cela pourrait également constituer une violation des lois applicables.
  - MITSUBISHI ELECTRIC CORPORATION ne peut être tenue responsable de tout dysfonctionnement ou accident résultant de l'utilisation du mauvais type de réfrigérant.
- Cette unité utilise le frigorigène de type R410A.
- Pour les systèmes utilisant le R410A, la tuyauterie peut être différente de celle des systèmes utilisant un frigorigène conventionnel parce que les systèmes utilisant le R410A sont conçus pour fonctionner à des pressions plus élevées. Reportez-vous au Livre de données pour plus d'information.

- Certains outils et équipements utilisés pour l'installation de systèmes fonctionnant avec d'autres types de frigorigènes ne peuvent pas être utilisés pour les systèmes fonctionnant avec le R410A. Reportez-vous au Livre de données pour plus d'information.
- N'utilisez pas la tuyauterie existante, car elle contient du chlore, qui est présent dans l'huile et le frigorigène de machines conventionnelles de réfrigération. Ce chlore détériore l'huile réfrigérante de machine dans le nouvel équipement. La tuyauterie existante ne doit pas être utilisée car la pression de conception dans les systèmes utilisant le R410A est plus élevée que celle des systèmes utilisant d'autres types de frigorigène et les tuyaux existants peuvent éclater.

## 3. Caractéristiques techniques

### ⚠ Avertissement:

Utilisez uniquement un réfrigérant de type indiqué dans les manuels fournis avec l'unité et sur la plaque signalétique.

- Faute de quoi, l'unité ou la tuyauterie pourrait éclater, ou cela pourrait provoquer une explosion ou un incendie pendant l'utilisation, la réparation ou la mise au rebut de l'unité.
- Cela pourrait également constituer une violation des lois applicables.
- MITSUBISHI ELECTRIC CORPORATION ne peut être tenue responsable de tout dysfonctionnement ou accident résultant de l'utilisation du mauvais type de réfrigérant.

Modèle		PWFY-P100VM-E-BU	PWFY-P100VM-E1-AU	PWFY-P200VM-E1-AU
Niveau sonore		44dB<A>	29dB<A>	29dB<A>
Réfrigérant		R134a × 1,1 kg	–	–
Poids net		60 kg	35 kg	38 kg
Pression de service maximale	R410A MPa	4,15	4,15	4,15
	R134a MPa	3,60	–	–
	Eau MPa	1,00	1,00	1,00
Connectable Appareil extérieur	Capacité totale	50~100 % de la capacité de l'appareil extérieur		50~100 % de la capacité de l'appareil extérieur
	Modèle/Quantité	Seulement R2, série Repalce R2, série WR2	Y, série Repalce Y, série HP (ZUBADAN), série WY, R2, série Repalce R2, série WR2	PUMY-P-V/YHMB(-BS) Y, série Repalce Y, série HP (ZUBADAN), série WY, R2, série Repalce R2, série WR2
Plage de température de Chauffage	Temp. appareil extérieur	-20~32 °CWB (59~90 °F)	-20~32 °CWB (-4~90 °F) Série PURY -20~15,5 °CWB (-4~60 °F) Série PUHY	-15~21 °CDB (5~70 °F), -15~15 °CWB (5~59 °F) -20~32 °CWB (-4~90 °F) Série PURY -20~15,5 °CWB (-4~60 °F) Série PUHY
	Temp. eau à l'aspiration	10~70 °C (50~158 °F)	10~40 °C (50~104 °F)	10~45 °C (50~113 °F)
Plage de température de Refroidissement	Temp. appareil extérieur	–	-5~43 °CDB (23~110 °F) Série PURY -5~43 °CDB (23~110 °F) Série PUHY	-5~43 °CDB (23~110 °F) Série PURY -5~43 °CDB (23~110 °F) Série PUHY
	Temp. eau à l'aspiration	–	10~35 °C (50~95 °F)	–

## 4. Confirmation des pièces jointes

- ① Filtre à tamis      ② Matière isolant contre la chaleur      ③ Jeux de connecteurs × 2      ④ Joint d'expansion × 2 (PWFY-P200VM-E1-AU)      ⑤ Câble      ⑥ Fluxostat (PWFY-P100/P200VM-E1-AU)



## 5. Comment soulever l'appareil

### ⚠ Prudence:

Faire preuve d'une grande prudence lors du transport de l'appareil.

- Portez l'appareil par au moins 2 personnes si celui-ci pèse plus de 20 kg.
- Les courroies PP servent à emballer certains éléments. Ne les utilisez pas pour transporter l'appareil, car elles peuvent se révéler dangereuses.
- Déchirez l'emballage plastique et jetez-le pour éviter que des enfants ne jouent avec car ils pourraient s'étouffer.

## 6. Installation de l'appareil et espace de service

### 6.1. Installation

- Utiliser les orifices d'ancrage indiqués ci-dessous pour boulonner fermement l'appareil à son socle.

[Fig. 6.1.1] (P.2)

Ⓐ 4-ø14 (orifices d'ancrage)

Ⓑ (Vue du dessus)

#### Socles

- Toujours installer l'appareil dans un endroit suffisamment robuste que pour en supporter le poids. Si la base est instable, la renforcer avec un socle en béton.
- Ancrer l'appareil sur une surface à niveau. Utiliser un niveau pour vérifier l'horizontalité de l'installation.
- Si l'appareil est installé à proximité d'une pièce pour laquelle le bruit pourrait représenter un problème, il est conseillé de monter une base anti-vibrations sur le socle de support de l'appareil.

### ⚠ Avertissement:

- **Installez toujours l'appareil dans un endroit pouvant supporter son poids. Dans le cas contraire, l'appareil pourrait tomber et par conséquent blesser quelqu'un.**
- **Effectuez les travaux nécessaires afin d'assurer a protection de l'appareil contre les tremblements de terre.**
- **Toute installation défectueuse risquerait de causer la chute de l'appareil et par conséquent de blesser quelqu'un.**

## 7. Installation du tuyau d'eau

- Avant une longue période d'inutilisation, purger l'eau de tous les tuyaux et bien laisser les tuyaux sécher.
- Utiliser un circuit d'eau fermé.
- Lorsque l'appareil est en mode de refroidissement, ajouter du saumure à l'eau de circulation pour l'empêcher de geler.
- Pour utiliser du bromure dans le système, DipSW 1-10 doit être réglé sur Activé.
- Lors d'une installation dans un environnement très froid, toujours laisser la circulation d'eau en service. Si ce n'est pas possible, purger l'eau complètement dans tous les tuyaux ou remplir les tuyaux d'eau avec du saumure.
- Ne pas utiliser l'eau employée dans cet appareil pour la fabrication de boissons ou de produits alimentaires.
- Ne pas utiliser de tuyaux en acier comme tuyaux d'eau.

Modèle	Entrée d'eau	Sortie d'eau
PWFY-P100VM-E-BU	Vis PT 3/4	Vis PT 3/4
PWFY-P100VM-E1-AU	Vis PT 3/4	Vis PT 3/4
PWFY-P200VM-E1-AU *1 Lorsque les joints d'expansion sont installés.	Vis PT 1*1	Vis PT 1*1

### 7.1. Précautions à prendre pendant l'installation

- Utiliser la méthode de retour inverse pour assurer une résistance adéquate des tuyaux de chaque appareil.
- Pour faciliter l'entretien, les vérifications et le remplacement de l'appareil, utiliser un joint, une soupape, etc. adaptés aux orifices d'arrivée et d'évacuation de l'eau. En outre, toujours installer un épurateur sur le tuyau d'arrivée d'eau. (Pour préserver l'appareil, il est nécessaire d'installer un épurateur à l'arrivée de l'eau devant circuler dans l'appareil.)
- Installer une ventilation adéquate sur le tuyau d'eau. Après l'envoi d'eau dans le tuyau, toujours veiller à évacuer l'excédent d'air.
- De l'eau condensée peut se former dans les sections à basse température de l'appareil. Utiliser un tuyau d'écoulement raccordé à la soupape de drainage du bas de l'appareil pour évacuer l'eau.
- Installer une soupape anti-reflux sur la pompe ainsi qu'un joint souple pour éviter des vibrations excessives.
- Utiliser un manchon pour protéger les tuyaux à leur endroit de pénétration dans les murs.
- Utiliser des fixations métalliques pour fixer les tuyaux et les installer de sorte à assurer une protection maximum contre les ruptures et les fuites.
- Ne pas confondre les soupapes d'arrivée d'eau et d'évacuation.
- Cet appareil ne comprend pas d'élément de chauffage empêchant l'eau de geler. Lorsque l'eau ne s'écoule plus à cause d'une température ambiante trop basse, videz les tubes de l'eau.

### 6.2. Espace de service

- Prévoir les espaces suivants pour les interventions techniques après l'installation de l'appareil.  
(Toutes les interventions techniques peuvent se faire à partir de la face avant de l'appareil)

[Fig. 6.2.1] (P.2)

Modèle	a	b	c
PWFY-P100VM-E-BU	400	300	600
PWFY-P100VM-E1-AU	400	300	600
PWFY-P200VM-E1-AU	400	300	600

Ⓐ Espace pour la tuyauterie (côté droit)

Ⓑ Vue du dessus

Ⓒ Espace de service (face avant)

- Les orifices à dégager non utilisés doivent être tenus fermés. L'ouverture des tuyaux de réfrigérant, des tuyaux d'eau, des câbles de la source d'alimentation et de transmission doivent être remplis de mastic ou autre matière similaire afin que l'eau ne puisse pénétrer le dispositif.
- Installer le filtre à tamis à un angle de 45° ou inférieur comme indiqué sur la [Fig.7.1.2].
- Enrouler du ruban d'étanchéité autour de la vis pour empêcher les fuites d'eau.
- Enrouler le ruban d'étanchéité comme suit.
  - ① Entourer le joint de ruban d'étanchéité dans le sens des filets (dans le sens des aiguilles d'une montre), et ne pas laisser le ruban déborder.
  - ② Recouvrir le ruban d'étanchéité entre les 2/3 et les 3/4 de sa largeur à chaque tour. Appuyer sur le ruban avec les doigts afin de bien le serrer sur chaque filet.
  - ③ Ne pas enrouler de ruban sur les derniers 1,5 à 2 filets.
- Installer le filtre à tamis fourni à l'entrée d'eau.
- Maintenir le tuyau en place sur le côté de l'appareil avec une clé lors de l'installation des tuyaux ou du filtre à tamis. Serrer les vis à un couple de 50 N·m.
- Les tuyaux d'eau peuvent devenir très chauds, selon le pré réglage de température. Envelopper les tuyaux d'eau avec des matières isolantes pour éviter toute brûlure.
- Sur le modèle PWFY-P200VM-E1-AU, installer le joint d'expansion (accessoire) à l'entrée, après avoir installé le filtre à tamis, et à la sortie.

**Exemple d'installation de l'appareil (avec des tuyaux d'eau)**

[Fig. 7.1.1] (P.2)

Ⓐ Vanne d'arrêt

Ⓒ Evacuation de l'eau

Ⓔ Vanne de type en Y

Ⓖ Joint d'expansion

Ⓑ Arrivée d'eau

Ⓓ Tuyaux de réfrigérant

Ⓕ Tuyau de drainage

### 7.2. Mise en place de l'isolation

La température de la surface du tuyau d'eau peut être très élevée, selon le réglage de température. Insoler le tuyau pour éviter toute brûlure. Lorsque le PWFY-P100/P200VM-E1-AU fonctionne à l'eau froide, isoler le tuyau d'eau pour éviter la condensation.

Enrouler les tuyaux d'eau d'un isolant, comme indiqué sur la [Fig. 7.2.1].

- Tuyauterie à l'extérieur.
- Tuyauteries intérieures dans des régions froides où les tuyaux gelés constituent un problème.
- Lorsque l'air venant de l'extérieur provoque la formation de condensation sur la tuyauterie.
- Tuyaux d'écoulement.

[Fig. 7.2.1] (P.2)

Ⓐ Matière isolant contre la chaleur (accessoire)

Ⓑ Injecter un produit de calfeutrage

## 7.3. Traitement de l'eau et contrôle de la qualité de l'eau

Pour préserver la qualité de l'eau, utiliser le circuit d'eau de type fermé. Lorsque la qualité de l'eau du circuit est mauvaise, l'échangeur de chaleur à eau peut s'entartrer, ce qui diminue sa puissance et peut conduire à sa corrosion. Toujours prendre le plus grand soin au traitement de l'eau et au contrôle de la qualité de celle-ci lors de l'installation du système avec circulation d'eau.

- Retirer tous les corps étrangers et les impuretés de la tuyauterie.

Pendant l'installation, évitez la pénétration de corps étrangers, comme des débris de soudure, des particules de joints ou de rouille dans les tuyaux.

### ② Norme de qualité de l'eau

Eléments	Eléments	Circuit d'eau à température moyenne inférieure Temp. de l'eau $\leq 60$ °C		Circuit d'eau à température moyenne supérieure Temp. de l'eau $> 60$ °C		Tendance	
		Eau de recirculation	Eau d'appoint	Eau de recirculation	Eau d'appoint	Corrosive	Incrustante
Eléments standard	pH (25 °C)	7,0 ~ 8,0	7,0 ~ 8,0	7,0 ~ 8,0	7,0 ~ 8,0	○	○
	Conductivité électrique (mS/m) (25 °C) ( $\mu$ s/cm) (25 °C)	30 ou moins [300 ou moins]	30 ou moins [300 ou moins]	30 ou moins [300 ou moins]	30 ou moins [300 ou moins]	○	○
	Ions de chlore (mg Cl/l)	50 ou moins	50 ou moins	30 ou moins	30 ou moins	○	
	Ions de sulfate (mg SO <sub>4</sub> <sup>2-</sup> /l)	50 ou moins	50 ou moins	30 ou moins	30 ou moins	○	
	Consommation acide (pH4.8) (mg CaCO <sub>3</sub> /l)	50 ou moins	50 ou moins	50 ou moins	50 ou moins		○
	Dureté totale (mg CaCO <sub>3</sub> /l)	70 ou moins	70 ou moins	70 ou moins	70 ou moins		○
	Dureté calcique (mg CaCO <sub>3</sub> /l)	50 ou moins	50 ou moins	50 ou moins	50 ou moins		○
	Silice ionique (mg SiO <sub>2</sub> /l)	30 ou moins	30 ou moins	30 ou moins	30 ou moins		○
Eléments de référence	Fer (mg Fe/l)	1,0 ou moins	0,3 ou moins	1,0 ou moins	0,3 ou moins	○	○
	Cuivre (mg Cu/l)	1,0 ou moins	1,0 ou moins	1,0 ou moins	1,0 ou moins	○	
	Ions de soufre (mg S <sup>2-</sup> /l)	doivent être indétectables	doivent être indétectables	doivent être indétectables	doivent être indétectables	○	
	Ions d'ammonium (mg NH <sub>4</sub> <sup>+</sup> /l)	0,3 ou moins	0,1 ou moins	0,1 ou moins	0,1 ou moins	○	
	Chlore résiduel (mg Cl/l)	0,25 ou moins	0,3 ou moins	0,1 ou moins	0,3 ou moins	○	
	Gaz carbonique à l'état libre (mg CO <sub>2</sub> /l)	0,4 ou moins	4,0 ou moins	0,4 ou moins	4,0 ou moins	○	
	Indice de stabilité Ryzner	-	-	-	-	○	○

Référence : Directive relative à la qualité de l'eau pour le matériel de réfrigération et de climatisation (JRA GL02E-1994)

- Contactez un spécialiste du contrôle de la qualité des eaux pour en savoir plus sur les méthodes de contrôle et les calculs de dureté avant d'utiliser des solutions anti-corrosives pour la gestion de la qualité de l'eau.
- Lors du remplacement d'un climatiseur installé auparavant (même lorsque seul l'échangeur de chaleur est remplacé), effectuer une analyse de la qualité de l'eau et vérifier s'il n'y a pas de corrosion.  
La corrosion peut se produire dans des systèmes à eau froide sans qu'il y ait eu de signes précurseurs.  
Si le niveau de la qualité de l'eau chute, régler correctement la qualité de l'eau avant de remplacer l'appareil.

## 7.4. Engrenage des pompes

Pour exécuter un test avant que le circuit de synchronisation de la pompe ne soit achevé, court-circuiter le bloc terminal TB142A (IN1), puis exécuter le test. L'appareil risque d'être endommagé s'il est mis en service sans circulation d'eau dans les tuyaux.

### <PWFY-P100VM-E-BU>

Toujours enclencher simultanément le fonctionnement de l'appareil et celui de la pompe du circuit d'eau. Utiliser les blocs terminaux pour l'enclenchement TB142A (IN1) que vous trouverez sur l'appareil.

[Fig. 7.4.1] (P.2)

### <PWFY-P100/200VM-E1-AU>

#### <Engrenage des pompes>

Dans le système incluant PWFY-P100/P200VM-E1-AU, l'eau de circulation peut geler, et provoquer un dysfonctionnement de l'appareil. Effectuer les travaux d'installation électrique comme indiqué dans la [Fig. 7.4.2] pour empêcher l'eau de geler.

#### <Fluxostat>

Lors de l'installation de l'unité, veiller à installer le fluxostat côté sortie de l'eau de l'unité et à relier le câble au connecteur IN1 de TB142A sur l'unité.

**Si le fluxostat n'est pas installé, l'unité émet le signal d'erreur (2100 : erreur de verrouillage) et ne fonctionne pas.**

**\* Un câble de court-circuit est fourni mais sert uniquement pour l'essai de fonctionnement.**

#### <Procédures d'installation>

##### ① Retirer les tuyaux reliés au fluxostat.

Remarque : À la livraison de l'unité, les tuyaux sont légèrement serrés.

- Enrouler du ruban à joints sur les filetages à l'extrémité des tuyaux à partir du 1,5 au 2ème filetage sans obstruer les ouvertures. Appliquer deux ou trois tours de rubans dans le sens des filetages des tuyaux (sens des aiguilles d'une montre). Chaque course du ruban doit chevaucher le ruban appliqué précédemment sur 2/3 ou 3/4 de la largeur du ruban. Placer les doigts sur les filetages et le ruban pour appuyer sur le ruban afin de bien le faire adhérer aux filetages.

Fixer ensuite les tuyaux au fluxostat en maintenant les pièces A et B avec une clé.

Le couple de serrage maximum est de 60 N·m (611 kgf·cm).

- Traitement de la qualité de l'eau

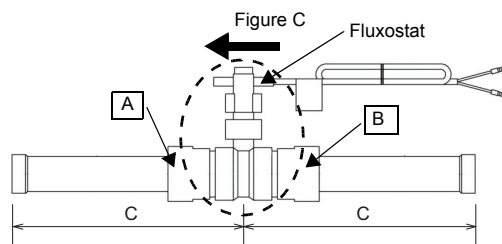
- En fonction de la qualité de l'eau, les tuyauteries en cuivre de l'échangeur de chaleur peuvent rouiller. Nous conseillons d'effectuer régulièrement un contrôle de la qualité de l'eau.

Les systèmes à circulation d'eau utilisant des réservoirs de stockage de chaleur sont particulièrement sujets à la corrosion.

Si vous utilisez un réservoir de stockage de chaleur, installez un échangeur de chaleur à eau et utilisez un circuit à boucle fermée sur le côté du climatiseur.

Si un réservoir d'alimentation en eau est installé, mettez-le le moins possible en contact avec l'air et vérifiez que le niveau d'oxygène dissous de l'eau ne dépasse pas 1 mg/l.

- Fixer le fluxostat et les tuyaux à la sortie d'eau dans le sens horizontal. L'angle de l'axe du tuyau doit être inférieur à 45 degrés. Vérifier le sens du fluxostat comme illustré sur la figure C.
- Relier le câble au connecteur IN1 de TB142A.



	C
PWFY-P100VM-E1-AU	175 mm
PWFY-P200VM-E1-AU	205 mm

Régler DipSW comme indiqué dans le tableau ci-dessous.

DipSW3-6	Contact de sortie externe
Marche	Effectif lorsque Thermo est activé
Arrêt	Effectif lorsque la mise en marche est activée (télécommande activée)

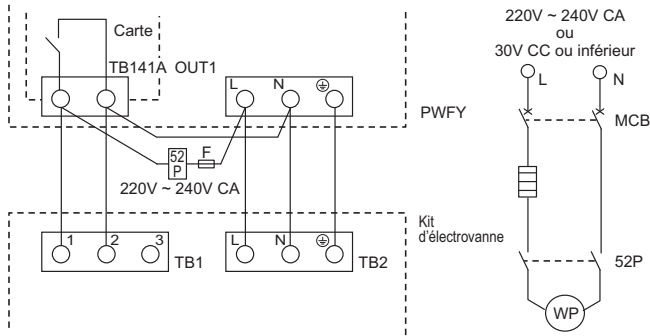
S'assurer d'activer l'alimentation électrique de la pompe, car la fonction reste inopérante si l'alimentation électrique de la pompe est coupée.

#### <PAC-SV01PW-E>

Connecter le câblage comme indiqué sur la [Fig. 7.4.3] lors du verrouillage du fonctionnement de la pompe avec les autres unités ET le raccordement du kit d'électrovanne (PAC-SV01PW-E) à un système comprenant les appareils extérieurs de la série Y, les appareils extérieurs de la série HP(ZUBADAN), les appareils intérieurs et PWFY-P100/P200VM-E1-AU.

Régler le commutateur dip SW3-6 sur ON (Activer). Vérifier que la version du logiciel correspond à 1.18 ou ultérieure.

[Fig. 7.4.3]



F : fusible  
 52P : contacteur magnétique de la pompe à eau de la source de chaleur  
 MCB : coupe-circuit  
 WP : pompe à eau

## 8. Spécifications techniques des tuyaux de réfrigérant et du tuyau d'écoulement

Pour éviter les gouttes de condensation, appliquer suffisamment de matériaux d'étanchéité et isolant sur les tuyaux de réfrigérant et d'écoulement. En cas d'utilisation de tuyaux de réfrigérant disponibles dans le commerce, toujours les envelopper de matière isolante disponible sur le marché (avec une température de résistance à la chaleur de plus de 100 °C et une épaisseur conforme à celle donnée ci-dessous). Cette mesure est tout autant valable pour les tuyaux de gaz que pour les tuyaux de liquide.

Veiller également à entourer de matière isolante disponible dans le commerce (avec la gravité spécifique de la mousse de polyéthylène de 0,03 et d'une épaisseur correspondant à celle indiquée ci-dessous) sur tous les tuyaux qui traversent des pièces.

① Sélectionner l'épaisseur de la matière isolante en fonction des dimensions des tuyaux.

Modèle	PWFY-P100VM-E-BU	PWFY-P100VM-E-AU	PWFY-P200VM-E1-AU
Gaz	ø15,88	ø15,88	ø19,05
Liquide	ø9,52	ø9,52	ø9,52
Écoulement	ø32		
Épaisseur de la matière isolante	Plus de 10 mm		

② Si l'appareil doit être utilisé au dernier étage d'un édifice et soumis à des températures élevées et à une humidité excessive, il convient d'utiliser des tuyaux de dimensions supérieures et de la matière isolante plus épaisse que celles données dans le tableau ci-dessus.

③ Veuillez respecter toutes les spécifications techniques de l'utilisateur.

### 8.1. Tuyau de réfrigérant, tuyau d'écoulement et port de remplissage

[Fig. 8.1.1] (P.3)

- Ⓐ Tuyau de réfrigérant (gaz)
- Ⓑ Tuyau de réfrigérant (liquide)
- Ⓒ Arrivée d'eau
- Ⓓ Evacuation de l'eau
- Ⓔ Sortie d'écoulement
- \*1: PWFY-P100/200VM-E1-AU

## 9. Raccordement des tuyaux de réfrigérant et d'écoulement

### 9.1. Mise en place des tuyaux de réfrigérant

Les travaux de raccordement des tuyaux doivent se faire conformément aux instructions des manuels d'installation de l'appareil extérieur et du contrôleur BC (pour la série R2 à refroidissement et chauffage simultanés).

- La série R2 a été conçue pour fonctionner dans un système dans lequel le tuyau de réfrigérant de l'appareil extérieur arrive au contrôleur BC où il se branche pour se raccorder avec les appareils intérieurs.
- Pour les restrictions de longueur des tuyaux et le degré d'élévation permis, veuillez vous reporter au manuel de l'appareil extérieur.
- Le raccordement des tuyaux se fait par brasure.

#### ⚠ Prudence:

- **Installer les tuyaux de réfrigérant pour l'appareil intérieur conformément aux instructions suivantes.**

1. Couper la pointe de la tuyauterie de l'appareil intérieur, vider le gaz puis déposer le capuchon brasé.

[Fig. 9.1.1] (P.3)

- Ⓐ Couper ici.
- Ⓑ Déposer le capuchon brasé

2. Extraire l'isolation thermique des tuyaux de réfrigérant présents sur place, souder la tuyauterie de l'appareil et remettre l'isolation en place, comme à l'origine. Entourer les tuyauteries de ruban isolant.

#### Remarque:

- **Faire très attention lorsque vous entourez les tuyauteries en cuivre car une mauvaise isolation peut provoquer de la condensation au lieu de l'empêcher.**
- \* Avant de souder le tuyau réfrigérant, **toujours enrouler le tuyau du corps principal et le tuyau d'isolation thermique avec des chiffons humides pour empêcher un thermo-rétrécissement et une brûlure du tubage d'isolation thermique.** Faire attention à ce que la flamme ne touche pas le corps principal proprement dit.

[Fig. 9.1.2] (P.3)

- Ⓐ Isolation thermique
- Ⓑ Enlever l'isolation
- Ⓒ Envelopper avec des chiffons humides
- Ⓓ Remettre dans sa position d'origine
- Ⓔ Veiller à ce qu'il n'y ait pas d'espace exposé à cet endroit
- Ⓕ Entourer avec du ruban isolant

### Précautions concernant le raccordement des tuyaux de réfrigérant

- ▶ **Toujours utiliser des soudures non oxydantes afin qu'aucun corps étranger ni aucune humidité ne pénètre à l'intérieur du tuyau.**
- ▶ **Revêtir le siège du goujon d'huile pour machine réfrigérante et le serrer fermement à l'aide de deux clés.**
- ▶ **Placer une entretoise métallique pour soutenir les tuyaux de réfrigérant de telle sorte qu'aucune charge ne s'applique à la sortie des tuyaux de l'appareil intérieur. Placer le support métallique à 50 cm ou plus de la connexion avec goujon de l'appareil intérieur.**

#### ⚠ Avertissement:

- **Utilisez uniquement un réfrigérant de type indiqué dans les manuels fournis avec l'unité et sur la plaque signalétique.**
  - Faute de quoi, l'unité ou la tuyauterie pourrait éclater, ou cela pourrait provoquer une explosion ou un incendie pendant l'utilisation, la réparation ou la mise au rebut de l'unité.
  - Cela pourrait également constituer une violation des lois applicables.
  - MITSUBISHI ELECTRIC CORPORATION ne peut être tenue responsable de tout dysfonctionnement ou accident résultant de l'utilisation de mauvais type de réfrigérant.
- **Lors de l'installation ou du déplacement de l'appareil, ne pas le remplir d'un autre réfrigérant que le réfrigérant (R407C ou R22) indiqué sur l'appareil.**
  - En cas d'addition d'un autre réfrigérant, d'air ou de toute autre substance, il y aura une malfonction du cycle de réfrigération, ce qui risque de provoquer des dégâts.

### ⚠ Précaution:

- Utilisez des tuyaux réfrigérants en cuivre désoxydé au phosphore C1220 (Cu-DHP) comme l'indique le chapitre "Tuyaux et tubes en cuivre ou en alliage de cuivre sans soudure" du JIS H3300. Veillez également à ce que les surfaces internes et externes des tuyaux soient propres et sans soufre, oxyde, poussière/impuretés, rognures, huile, condensation ou autre particule contaminante.
- N'utilisez jamais les tuyaux de réfrigérant déjà en place.
  - La quantité importante de chlore contenue dans les réfrigérants traditionnels et l'huile réfrigérante des tuyaux actuels provoquera la détérioration du nouveau réfrigérant.
- Gardez les tuyaux d'installation dans l'immeuble et laissez les deux extrémités des tuyaux couvertes jusqu'au moment du brasage.
  - L'huile se détériorera et il est possible que le compresseur tombe en panne si de la poussière, des impuretés ou de l'eau s'infiltrent dans le cycle réfrigérant.

## 9.2. Travaux de mise en place du tuyau d'écoulement

1. Vérifiez que le tuyau d'écoulement est placé en pente (de plus de 1/100) vers le côté extérieur (décharge). Évitez tout renforcement ou toute irrégularité sur le trajet du tuyau. (①)
2. S'assurer que les tuyaux d'écoulement de traverse ont moins de 20 m de long (non compris la différence d'élévation). Si le tuyau d'écoulement est relativement long, prévoir des crochets métalliques pour le soutenir et éviter qu'il n'ondule. Ne jamais prévoir d'orifice de ventilation d'air par lequel l'écoulement risquerait de se répandre.
3. Utiliser un tuyau VP-25 solide en chlorure de vinyle (d'un diamètre extérieur de 32 mm) pour l'écoulement.
4. Veiller à ce que les tuyaux groupés soient 10 cm en dessous de l'ouverture d'écoulement située sur le corps de l'appareil, comme indiqué au point ②.
5. Ne pas laisser de renforcement pour les odeurs au port de décharge de l'écoulement.
6. Placer l'extrémité du tuyau d'écoulement de façon à ne pas générer d'odeurs.
7. Ne jamais placer l'extrémité des tuyaux d'écoulement dans un drainage générant des gaz ioniques.

[Fig. 9.2.1] (P. 3)

- Ⓐ Pente descendante 1/100 minimum
- Ⓑ Tuyau d'écoulement
- Ⓒ Appareil
- Ⓓ Tuyau commun
- Ⓔ Augmenter cette longueur à environ 10 cm

## 9.3. Connexions électriques

Vérifier si le nom du modèle repris sur les instructions de fonctionnement du couvercle du boîtier de commande est identique à celui indiqué sur la plaque d'identification de l'appareil.

### Phase 1

Retirer les vis qui maintiennent le couvercle du bornier en place.

[Fig. 9.3.1] (P. 3)

- Ⓐ Vis
- Ⓑ Panneau avant
- Ⓒ Boîtier de commande

### Remarque :

**S'assurer de ne pas coincer les câbles lorsque vous remettez le couvercle du bornier en place sinon ils risquent de se couper.**

### ⚠ Précaution:

**Installer les câbles de sorte qu'ils ne soient pas tendus ou sous tension. Les câbles sous tension peuvent en effet se rompre, chauffer ou brûler.**

- Fixer les câbles d'alimentation d'entrée/sortie externe au boîtier des borniers à l'aide de colliers tampons pour éviter les chocs électriques pouvant résulter d'une tension des câbles. (Connexion PG ou similaire). Raccorder les câbles de transmission au bloc de sorties de transmission par le biais de l'orifice à détacher du boîtier de commande, à l'aide d'un manchon ordinaire.
- Lorsque le câblage est terminé, s'assurer que les connexions ne sont pas lâches et fixer le couvercle sur le boîtier de commande en procédant à l'inverse par rapport au retrait.

[Fig. 9.3.2] (P. 3)

- Ⓐ Pour éviter l'application de toute force de tension externe à la section de raccordement des câbles du bloc de sorties de la source d'alimentation, utiliser des manchons tampon comme des connexions PG ou similaires.
- Ⓑ Câble d'entrée du signal externe
- Ⓒ Câble de sortie du signal externe
- Ⓓ Câbles de la source d'alimentation
- Ⓔ Force de tension
- Ⓕ Utiliser un manchon ordinaire
- Ⓖ Câble de transmission et câble de commande à distance MA

### ⚠ Précaution:

**Câbler la source d'alimentation sans appliquer de tension. Sinon, les câbles risquent de se débrancher, de chauffer ou de brûler.**

## 10. Câblage électrique

### Précautions à prendre lors du câblage électrique

#### ⚠ Avertissement:

**Les travaux électriques doivent être menés à bien par des électriciens qualifiés, conformément aux normes à respecter "pour les installations électriques" et conformément aux explications données dans les manuels d'installation. Des circuits spéciaux doivent être utilisés. Si l'installation électrique n'est pas suffisamment puissante ou si elle n'est pas conforme, elle peut présenter un risque d'électrocution ou d'incendie.**

1. Veiller à prendre l'alimentation sur le circuit réservé.
2. Installer un coupe-circuit avec mise à la terre en cas de fuite de courant.
3. Installer l'appareil de sorte qu'aucun des câbles de commandes des circuits (câbles de la commande à distance, câbles de transmission ou ligne d'entrée/sortie externe) n'entre en contact direct avec le câble d'alimentation situé à l'extérieur de l'appareil.
4. Vérifier qu'il n'y ait pas de jeu dans les raccordements des câbles.
5. Certains câbles (d'alimentation, de la commande à distance, câbles de transmission ou ligne d'entrée/sortie externe) situés au-dessus du plafond risquent d'être rongés par les souris. Utiliser autant de gaines métalliques que possible pour y introduire les câbles en vue de les protéger.

#### 1. Câbles de transmission

PWFY-P100VM-E-BU

	Câbles de transmission	Câbles de la commande à distance MA	Entrée externe	Sortie externe
Type de câble	Fil blindé (2 conducteurs) CVVS, CPEVS ou MVVS	Câble gainé à 2 conducteurs (blindé) CVVS	Câble gainé multiconducteurs (blindé) CVVS ou MVVS	Câble gainé multiconducteurs (blindé) CVVS ou MVVS
Diamètre du câble	Supérieur à 1,25 mm <sup>2</sup>	0,3 ~ 1,25 mm <sup>2</sup> (0,75 ~ 1,25 mm <sup>2</sup> )*1	0,3 ~ 0,5 mm <sup>2</sup>	0,3 ~ 1,25 mm <sup>2</sup>
Remarques	-	Longueur maximale : 200 m	Longueur maximale : 100 m	Tension nominale : L1-N: 220 - 240 V Charge nominale : 0,6 A

PWFY-P100/200VM-E1-AU

	Câbles de transmission	Câbles de la commande à distance MA	Entrée externe	Sortie externe
Type de câble	Fil blindé (2 conducteurs) CVVS, CPEVS ou MVVS	Câble gainé à 2 conducteurs (blindé) CVVS	Câble gainé multiconducteurs (blindé) CVVS ou MVVS	Câble gainé multiconducteurs (blindé) CVVS ou MVVS
Diamètre du câble	Supérieur à 1,25 mm <sup>2</sup>	0,3 ~ 1,25 mm <sup>2</sup> (0,75 ~ 1,25 mm <sup>2</sup> )*1	0,3 ~ 0,5 mm <sup>2</sup>	0,3 ~ 1,25 mm <sup>2</sup>
Remarques	-	Longueur maximale : 200 m	Longueur maximale : 100 m	Tension nominale : L1-N: 220 - 240 V Charge nominale : 0,6 A

\*1 Connecté par simple commande à distance. CVVS, MVVS : câble de commande blindé avec gaine en PVC et isolation en PVC  
CVV, MVV : câble de commande blindé avec gaine en PVC et isolation en PVC  
CPEVS : câble de communication blindé avec gaine en PVC isolée et protection à la terre

## 10.1. Câblage de l'alimentation électrique

- Les câbles d'alimentation électrique des appareils raccordés ne doivent pas être inférieurs aux normes 245 IEC 57 ou 227 IEC 57.
- Le climatiseur doit être équipé d'un interrupteur à écartement des contacts de 3 mm au minimum.

## TRAVAIL ELECTRIQUE

### 1. Caractéristiques électriques

Modèle	Source d'alimentation				Compresseur		RLA (A)
	Hz	Volts	Plage de tension	MCA (A)	Sortie (kW)	SC (A)	Chauffage
PWFY-P100VM-E-BU	50/60	220-230-240 V	Max. 264 V Min. 198 V	15,71	1,0	1,25	11,63-11,12-10,66

Modèle	Source d'alimentation				RLA (A)	
	Hz	Volts	Plage de tension	MCA (A)	Refroidissement	Chauffage
PWFY-P100VM-E1-AU PWFY-P200VM-E1-AU	50/60	220-230-240 V	Max. 264 V Min. 198 V	0,085	0,068-0,065-0,063	

### 2. Spécifications des câbles d'alimentation

Modèle	Epaisseur minimale des fils (mm <sup>2</sup> )			Disjoncteur pour fuite de courant	Commutateur local (A)		Disjoncteur pour câbles (NFB) (A)
	Câble principal	branche	Mise à la terre		capacité	fusible	
PWFY-P100VM-E-BU	2,5	-	2,5	30 A 30 mA 0,1 s. ou moins	25	25	30

Modèle	Courant total en fonctionnement	Epaisseur minimale des fils (mm <sup>2</sup> )			Disjoncteur pour fuite de courant	Commutateur local (A)		Disjoncteur pour câbles (NFB) (A)
		Câble principal	branche	Mise à la terre		capacité	fusible	
PWFY-P100VM-E1-AU	16 A ou moins	1,5	1,5	1,5	20 A 30 mA 0,1 s. ou moins	16	16	20
PWFY-P200VM-E1-AU	25 A ou moins	2,5	2,5	2,5	30 A 30 mA 0,1 s. ou moins	25	25	30
	32 A ou moins	4,0	4,0	4,0	40 A 30 mA 0,1 s. ou moins	32	32	40

[Fig. 10.1.1] (P. 4)

- (A) Disjoncteur pour fuite de courant
- (B) Commutateur local ou disjoncteurs pour câbles
- (C) PWFY-P100VM-E-BU
- (D) PWFY-P100/200VM-E1-AU
- (E) Boîtier de traction

### ⚠ Précaution:

Toujours utiliser des coupe-circuits et des fusibles de la puissance indiquée. L'utilisation de fusibles, de fils ou de fils en cuivre à trop grande capacité peut provoquer un risque de mauvais fonctionnement ou d'incendie.

## 10.2. Raccordement des câbles de la commande à distance et des câbles de transmission intérieurs et extérieurs

(La commande à distance est disponible en option.)

- Raccorder l'appareil TB5 et l'appareil extérieur TB3. (2 fils non polarisés (blindés)) Le "S" sur l'appareil TB5 est une connexion par câbles blindés. Pour les spécifications techniques des câbles de connexion, se reporter au manuel d'installation de l'appareil extérieur.
- Installer une commande à distance conformément aux instructions du manuel fourni avec la commande à distance.
- Connecter les points "1" et "2" de l'appareil TB15 à une commande à distance MA. (2 fils non polarisés)

[Fig. 10.2.1] (P.4) Commande à distance MA

- DC 10 à 13 V entre 1 et 2 (Commande à distance MA)

[Fig. 10.2.2] (P.4) Commande à distance MA

- La commande à distance MA ne peut pas être utilisée en même temps et de manière interchangeable.

- (A) Non polarisé
- (B) TB15 (Câbles de la commande à distance MA)
- (C) Commande à distance MA
- (D) TB5 (Câbles de transmission)
- (E) TB2 (Câblage de l'alimentation électrique)

### Remarque:

S'assurer de ne pas coincer les câbles lorsque vous remettez le couvercle du bornier en place sinon ils risquent de se couper.

### ⚠ Précaution:

- Utiliser un câble avec isolation complémentaire.
- Le signal présent à l'entrée de TB142A, TB142B et TB142C ne doit pas véhiculer de tension.
- Les câbles d'un appareil raccordé à l'entrée/la sortie externe doivent avoir une isolation complémentaire.
- Utiliser un seul câble multiconnecteurs pour l'entrée/la sortie externe pour permettre la connexion à la vis PG.

### ⚠ Précaution:

Câbler la source d'alimentation sans appliquer de tension. Sinon, les câbles risquent de se débrancher, de chauffer ou de brûler.

## 10.3. Fonction d'entrée/sortie externes

### Entrée de température pré-régulée (entrée analogique externe : 4mA-20mA)

L'entrée externe est fournie par les CN421, CN422 de la carte de circuits. (Fig. 10.3.1) Utiliser le connecteur fourni.

Si aucun réglage de température n'a été effectué avec la commande à distance MA, la température changera avec le courant.

Reportez-vous au mode d'emploi fourni avec la commande à distance MA pour la façon d'effectuer les réglages.

4 mA → 10 °C      20 mA → 70 °C

### Remarque:

Utiliser un appareil de sortie du signal 4-20 mA avec isolation.

### Borne de sortie externe

La borne de sortie externe (voir la Fig. 10.3.2) est inactive lorsque le circuit est ouvert.

Se reporter au Tableau 10.3.2 pour le détail de chaque contact.

Le courant et la tension dans le circuit à connecter au terminal de sortie externe (TB141A OUT1) doit remplir les conditions suivantes.

Tension nominale du contact	Courant nominal du contact	
	AC250V	1A ou moins
AC125V	3A ou moins	
DC30V	3A ou moins	

Tableau 10.3.2

OUT1	Commande ON/OFF (marche/arrêt)
OUT2	Dégivrage
OUT3	Compresseur
OUT4	Signal d'erreur

### Borne d'entrée externe

Le câble ne doit pas dépasser 100 m.

La borne d'entrée externe (voir la Fig. 10.3.3) est inactive lorsque le circuit est ouvert.

Se reporter aux Tableaux 10.3.3 à 10.3.5 pour le détail de chaque contact.

Seule la fonction "d'asservissement de la pompe" est inactive lorsque le circuit est court-circuité.

Raccorder un circuit à relais à la borne de sortie externe, comme indiqué dans la Fig. 7.4.1.

Les spécifications du circuit à relais devant être connecté doivent remplir les conditions suivantes.

Tension nominale des contacts  $\geq$  DC15V

Courant nominal des contacts  $\geq$  0,1A

Charge applicable minimale  $\leq$  1mA sur DC

**Tableau 10.3.3**  
**<PWFY-P100VM-E-BU>**  
 TB142A

IN1	Asservissement de la pompe
-----	----------------------------

**<PWFY-P100/200VM-E1-AU>**  
 TB142A

IN1	Fluxostat
-----	-----------

**Tableau 10.3.4**  
 TB142B

IN3	Demande de connexion
IN4	Commande ON/OFF (marche/arrêt)

**Tableau 10.3.5**  
 TB142C

COM+	Commun
IN5*1	Eau chaude/Chauffage
IN6*2	Chauffage ECO
IN7*3	Antigel

\*1 PWFY-P100VM-E-BU Eau chaude  
 PWFY-P100/200VM-E1-AU Chauffage

\*2 Valide lorsque le SW 4-3 est sur ON (marche).

\*3 Valide lorsque le SW 4-4 est sur ON (marche).

\*4 Lors du réglage du mode de chauffage ECO ou antigel, réinitialiser toutes les alimentations électriques de tous les appareils (appareils extérieurs / intérieurs).

## 10.4. Configuration des adresses

(Toujours effectuer ces opérations lorsque le système est hors tension.)

[Fig. 10.4.1] (P. 4)

<Tableau d'adresses>

- Il existe deux types de réglages de commutateurs rotatifs disponibles, pour le réglage des adresses de 1 à 9 et au-dessus de 10 et pour le réglage du nombre de ramifications.
  - Comment définir les adresses  
 Exemple: Si l'adresse est "3", laisser le SWU2 (pour les unités supérieures à 10) sur "0" et faire correspondre le SWU1 (pour 1 à 9) avec "3".
  - Comment définir les numéros des ramifications SWU3 (série R2 seulement)  
 Adapter le tuyau de réfrigérant de l'appareil intérieur au numéro de connexion finale de la commande BC. Laisser sur "0" tout sauf R2.
- Les boutons rotatifs sont tous mis sur "0" à la sortie d'usine. Ils servent à définir les adresses des appareils et les numéros de branches comme souhaité.
- La définition des adresses de l'appareil intérieur varie en fonction du système du site d'installation. Les définir conformément au recueil de données (DATA BOOK).

## 11. Informations sur la plaque signalétique

### ⚠ Avertissement:

Utilisez uniquement un réfrigérant de type indiqué dans les manuels fournis avec l'unité et sur la plaque signalétique.

- Faute de quoi, l'unité ou la tuyauterie pourrait éclater, ou cela pourrait provoquer une explosion ou un incendie pendant l'utilisation, la réparation ou la mise au rebut de l'unité.
- Cela pourrait également constituer une violation des lois applicables.
- MITSUBISHI ELECTRIC CORPORATION ne peut être tenue responsable de tout dysfonctionnement ou accident résultant de l'utilisation du mauvais type de réfrigérant.

Modèle		PWFY-P100VM-E-BU	PWFY-P100VM-E1-AU	PWFY-P200VM-E1-AU
Réfrigérant (kg)	R134a	1,1	–	–
	R410A	4,15	4,15	4,15
Pression autorisée (MPa)	R134a	3,60	–	–
	eau	1,0	1,0	1,0
Poids net (kg)		60	35	38

# Contenido

1. Medidas de seguridad.....	31	7.3. Tratamiento del agua y control de calidad del agua.....	34
1.1. Antes de la instalación y de las conexiones eléctricas.....	31	7.4. Sincronización de la bomba.....	35
1.2. Precauciones para aparatos que utilizan refrigerante R410A.....	32	8. Especificaciones de los tubos del refrigerante y de drenaje.....	36
1.3. Antes de la instalación.....	32	8.1. Tubo de refrigerante, tubo de drenaje y abertura de relleno.....	36
1.4. Montaje eléctrico previo a la instalación.....	32	9. Conexión de los tubos del refrigerante y de drenaje.....	36
1.5. Antes de iniciar el funcionamiento de prueba.....	32	9.1. Tareas con el tubo del refrigerante.....	36
2. Sobre el producto.....	33	9.2. Tareas con la tubería de drenaje.....	36
3. Especificaciones.....	33	9.3. Realización de las conexiones eléctricas.....	37
4. Confirmación de las piezas incluidas.....	33	10. Cableado eléctrico.....	37
5. Método de levantamiento.....	33	10.1. Cable de alimentación.....	37
6. Instalación de la unidad y espacio para el acceso del servicio técnico.....	34	10.2. Conexión de los cables de transmisión del mando a distancia y de las unidades exterior e interior.....	38
6.1. Instalación.....	34	10.3. Función de entrada/salida externa.....	38
6.2. Espacio para el acceso del servicio técnico.....	34	10.4. Configuración de las direcciones.....	39
7. Instalación de la tubería de agua.....	34	11. Información de la placa de características.....	39
7.1. Precauciones durante la instalación.....	34		
7.2. Instalación del sistema de aislamiento.....	34		

## 1. Medidas de seguridad

### 1.1. Antes de la instalación y de las conexiones eléctricas

- ▶ **Antes de instalar la unidad, asegúrese de haber leído el capítulo de “Medidas de seguridad”.**
- ▶ **Las “Medidas de seguridad” señalan aspectos muy importantes sobre seguridad. Es importante que se cumplan todos.**

#### Símbolos utilizados en el texto

##### ⚠ Atención:

Describe precauciones que deben tenerse en cuenta para evitar el riesgo de lesiones o muerte del usuario.

##### ⚠ Cuidado:

Describe precauciones que deben tenerse en cuenta para evitar el riesgo de dañar la unidad.

#### Símbolos utilizados en las ilustraciones

⊘ : Indica una acción que debe impedirse.

❗ : Indica que deben seguirse unas instrucciones importantes.

⚡ : Indica una pieza que debe conectarse a tierra.

⚠ : Peligro de descarga eléctrica. (Este símbolo aparece en la etiqueta de la unidad principal.) <Color: amarillo>

⚠ : Tenga cuidado con la superficie caliente.

##### ⚠ Atención:

**Lea atentamente las etiquetas adheridas a la unidad principal.**

##### ⚠ Atención:

- Si el cable de alimentación eléctrica está dañado, deberá ser sustituido por el fabricante, su agente de servicio o personas con una cualificación similar con el fin de evitar riesgos.
- Este aparato no debe ser utilizado por personas (niños incluidos) con capacidades físicas, sensoriales o mentales reducidas, o falta de experiencia y conocimiento, a menos que sean supervisadas o instruidas en cuanto al uso del aparato por una persona que se responsabilice de su seguridad.
- No utilice un refrigerante diferente del indicado en los manuales que se entregan con la unidad y en la placa de identificación.
  - Si lo hace, la unidad o las tuberías podrían explotar, o producirse una explosión o incendio durante su uso, reparación o en el momento de la eliminación de la unidad.
  - También podría suponer un quebrantamiento de la normativa aplicable.
  - MITSUBISHI ELECTRIC CORPORATION no es responsable de cualquier anomalía o accidente derivantes del uso del tipo de refrigerante equivocado.
- No utilice los tubos de acero como tubos de agua.
  - Se recomienda utilizar tubos de sobre.
- El circuito de agua deberá ser un circuito cerrado.
- La instalación del aire acondicionado debe correr a cargo del distribuidor o de un técnico autorizado.
  - Una instalación incorrecta realizada por el usuario puede provocar fugas de agua, descargas eléctricas o fuego.
- Instale la unidad en un lugar resistente que pueda soportar su peso.
  - Una resistencia inadecuada podría provocar la caída de la unidad provocando lesiones.
- No toque la unidad. La superficie de la unidad puede estar caliente.
- No instale la unidad en lugares donde pueda generarse gas corrosivo.
- Utilice los cables especificados para la instalación eléctrica. Realice las conexiones asegurándose de que cualquier tracción de los cables no afectará a los terminales.

- La conexión y fijación inadecuadas pueden provocar calor y causar un incendio.
- **Prepare la zona contra la lluvia, la humedad y los terremotos e instale la unidad en el lugar especificado.**
  - La instalación inadecuada puede provocar que la unidad caiga y provoque lesiones.
- **Utilice siempre un filtro y el resto de accesorios especificados por Mitsubishi Electric.**
  - Solicite a un técnico autorizado que instale los accesorios. Una instalación incorrecta realizada por el usuario puede provocar fugas de agua, descargas eléctricas o fuego.
- **No repare nunca la unidad. Si la unidad requiere reparación, avise a su distribuidor.**
  - Si la unidad se repara incorrectamente, pueden producirse fugas de agua, descargas eléctricas o fuego.
- **No toque los tubos de refrigerante ni los de agua.**
  - Una manipulación incorrecta podría provocar lesiones.
- **Cuando manipule este producto, utilice siempre un equipo protector, por ejemplo guantes, protección completa para los brazos con un overol y gafas de seguridad.**
  - Una manipulación incorrecta podría provocar lesiones.
- **Si hubiese alguna pérdida de gas refrigerante durante la instalación, ventile bien la habitación.**
  - Si el gas refrigerante entra en contacto con una llama se producirán gases tóxicos.
- **Instale la unidad según se indica en este manual de instalación.**
  - Si la unidad se instala de forma incorrecta, pueden producirse fugas de agua, descargas eléctricas o fuego.
- **Las conexiones eléctricas deberán ir a cargo de un electricista autorizado según las “Normas técnicas para las instalaciones eléctricas”, el “Reglamento de cableado interno”, según este manual de instrucciones y siempre con un circuito especial dedicado.**
  - Si el amperaje de la fuente de alimentación es inadecuada o el tendido eléctrico es incorrecto, pueden producirse fugas de agua, descargas eléctricas o fuego.
- **Mantenga las piezas eléctricas lejos del agua (agua de lavado, etc.).**
  - Puede provocar una descarga eléctrica, incendio o humo.
- **Instale la tapa de terminales (panel) de la unidad exterior de forma segura.**
  - Si la tapa de terminales (panel) no se instala correctamente, pueden entrar polvo o agua en la unidad exterior provocando fuego o descargas eléctricas.
- **Cuando se instale o desplace el aire acondicionado a otro lugar, no lo cargue con un refrigerante distinto al especificado en la unidad (R410A).**
  - Si se mezcla un refrigerante distinto o aire con el refrigerante original, el ciclo de refrigeración funcionará mal y la unidad puede quedar dañada.
- **Si el aire acondicionado se instala en una habitación pequeña deberán tomarse medidas para prevenir que la concentración de refrigerante exceda los límites de seguridad incluso si hubiese fugas.**
  - Consulte al distribuidor respecto a las medidas adecuadas para evitar exceder los límites de seguridad. Si hubiese fuga de refrigerante y se excediese el límite de seguridad, puede haber peligro por pérdida de oxígeno en la habitación.
- **Cuando mueva o reinstale el acondicionador de aire, consulte con el distribuidor o con un técnico autorizado.**
  - Si el acondicionador de aire se instala incorrectamente, pueden producirse fugas de agua, descargas eléctricas o fuego.
- **Una vez finalizada la instalación asegúrese de que no hay fugas de gas.**
  - Si hay fugas de gas refrigerante y se exponen a un calefactor de aire, estufa, horno u otra fuente de calor, pueden producirse gases tóxicos.
- **No reconstruya ni cambie los ajustes de los dispositivos de protección.**
  - Si se cortocircuitan o manipulan con fuerza los interruptores de presión, térmico u otro sistema de protección o si se utilizan piezas distintas a las especificadas por Mitsubishi Electric, puede producirse fuego o explosión.
- **Para deshacerse de este producto consulte con su distribuidor.**
- **El instalador y el especialista del sistema deberán garantizar la seguridad contra fugas de acuerdo con las disposiciones o normas locales.**
  - Si no hay disposiciones locales disponibles, deberán que aplicarse las normas siguientes.

- Preste especial atención al lugar, como en un sótano, etc., donde el gas refrigerante puede permanecer, porque el este gas es más pesado que el aire.
- Es necesario vigilar a los niños para asegurarse de que no jueguen con el aparato.

## 1.2. Precauciones para aparatos que utilizan refrigerante R410A

### ⚠ Atención:

- No utilice un refrigerante diferente del indicado en los manuales que se entregan con la unidad y en la placa de identificación.
  - Si lo hace, la unidad o las tuberías podrían explotar, o producirse una explosión o incendio durante su uso, reparación o en el momento de la eliminación de la unidad.
  - También podría suponer un quebrantamiento de la normativa aplicable.
  - MITSUBISHI ELECTRIC CORPORATION no es responsable de cualquier anomalía o accidente derivantes del uso del tipo de refrigerante equivocado.

### ⚠ Cuidado:

- No utilice los tubos de refrigerante existentes.
  - El refrigerante antiguo y el aceite refrigerante en los tubos existentes contienen una gran cantidad de cloro que puede deteriorar el aceite refrigerador de la unidad nueva.
  - El R410A es un refrigerante de alta presión y puede hacer que explote la tubería existente.
- Utilice tubos de refrigerante de cobre fosforoso desoxidado C1220 (Cu-DHP), como se indica en la normativa JIS H3300 "Tubos sin costura de cobre y de aleación de cobre". Por otro lado, asegúrese de que tanto la superficie interna de los tubos como la externa estén limpias y no contengan ninguna sustancia que pueda resultar peligrosa como, por ejemplo, azufre, óxido, suciedad, polvo, restos de metal, aceites, humedad o cualquier otro elemento contaminante.
  - Si entran sustancias contaminantes en el interior de los tubos de refrigerante, el aceite refrigerante residual se deteriorará.
- Guarde las tuberías que va a utilizar durante la instalación interior con los dos extremos sellados hasta justo antes de la soldadura. (Guarde los codos y las demás juntas en una bolsa de plástico.)
  - Si entra polvo, suciedad o agua en el ciclo del refrigerante, el aceite puede deteriorarse y pueden producirse problemas en el compresor.
- Utilice aceite de éster, de éter o alquilobenceno (en pequeñas cantidades) como aceite refrigerante para recubrir las conexiones abocinadas o bridas.
  - El aceite refrigerante se degradará si se mezcla con una cantidad excesiva de aceite mineral.
- Utilice líquido refrigerante para llenar el sistema.
  - Si se utiliza gas refrigerante para sellar el sistema, cambiará la composición del refrigerante en el cilindro, disminuyendo así el rendimiento.
- No utilice un refrigerante distinto al R410A.
  - Si se mezcla otro refrigerante (R22, etc.) con el R410A, el cloro del refrigerante puede deteriorar el aceite refrigerador.
- Utilice una bomba de vacío con una válvula de retención.
  - El aceite de la bomba de vacío podría introducirse en el circuito del refrigerante y deteriorar el aceite refrigerador.
- No emplee las herramientas siguientes, que se utilizan con los refrigerantes convencionales. (Manómetro distribuidor, manguera de carga, detector de fugas de gas, válvula de retención de flujo inverso, base de carga del refrigerante, equipo de recuperación del refrigerante)
  - Si se mezcla refrigerante convencional o aceite refrigerador con el R410A, éste podría deteriorarse.
  - Si se mezcla agua con el R410A, el aceite refrigerador podría deteriorarse.
  - Los detectores de fugas de gas de los refrigerantes convencionales no reaccionan ante el R410A, porque no contienen cloro.
- No utilice cilindros de carga.
  - El refrigerante podría estropearse.
- Vaya con mucho cuidado al manejar las herramientas.
  - Si entra polvo, suciedad o agua en el ciclo del refrigerante, el refrigerante puede deteriorarse.

## 1.3. Antes de la instalación

### ⚠ Cuidado:

- No instale la unidad en lugares donde puedan producirse fugas de gas.
  - Si hay pérdidas de gas y éste se acumula alrededor de la unidad, podría producirse una explosión.
- No utilice el aire acondicionado en lugares en los que se guarde comida, animales domésticos, plantas, instrumentos de precisión u obras de arte.
  - Podrían deteriorarse.
- No utilice el equipo de aire acondicionado en entornos especiales.
  - Aceite, vapor, gas sulfúrico, etc. pueden reducir de forma considerable el rendimiento del aparato o deteriorar sus piezas.
- Si instala la unidad en un hospital, una central de comunicaciones u otro lugar de características similares, proteja convenientemente el aparato para que no produzca ruido.

- El equipo inversor, los generadores, el equipo médico de alta frecuencia o el de emisión de radio pueden provocar que el aparato funcione de forma errónea o que no funcione. A su vez, el aire acondicionado puede incidir en dicho equipo creando ruido que distorsione el tratamiento médico o la transmisión de la imagen.
- No instale la unidad sobre una estructura en la que puedan producirse fugas.
  - Cuando la humedad de la habitación supera el 80 % o cuando la tubería de drenaje está obstruida, puede que la unidad interior gotee a causa de la condensación. Realice el trabajo de drenaje colectivo junto con la unidad, según se requiera.

## 1.4. Montaje eléctrico previo a la instalación

### ⚠ Cuidado:

- Conecte la unidad a tierra.
  - No conecte la toma de tierra a tuberías de gas o agua, a un pararrayos o cables del teléfono que vayan por el suelo. Una toma a tierra incorrecta puede producir descargas eléctricas.
- Instale el cable de alimentación de modo que no quede tenso.
  - Si está tenso, el cable puede romperse o calentarse hasta producir un incendio.
- Instale un interruptor para el circuito de fugas.
  - Si no se instala, pueden producirse descargas eléctricas.
- Utilice cables de alimentación de capacidad y gama de corriente adecuadas.
  - Si los cables son demasiado pequeños, pueden producirse fugas o pueden recalentarse y causar un incendio.
- Utilice un interruptor de circuito y un fusible exclusivamente de la capacidad indicada.
  - Un fusible o un interruptor de circuito de mayor capacidad o uno de acero o cobre podría provocar una avería o un incendio en la unidad.
- No lave las unidades de aire acondicionado con agua.
  - Si lo hace, podría producirse una descarga eléctrica.
- Compruebe que la plataforma de instalación no se haya deteriorado a causa de un uso prolongado.
  - Si no se arregla, la unidad podría caerse y producir daños personales o materiales.
- Instale las tuberías de drenaje como se indica en este Manual de instalación para asegurar un drenaje correcto. Forre las tuberías con un aislante térmico para evitar que se produzca condensación.
  - Un drenaje incorrecto de las tuberías producirá escapes de agua que pueden dañar los muebles u otros bienes.
- Tenga cuidado con el transporte del producto.
  - No conviene que lo cargue una sola persona si el producto pesa más de 20 kg.
  - En algunos productos se utilizan cintas de PP (polipropileno) para el embalaje. No utilice cintas de PP (polipropileno) como medio de transporte. Es peligroso.
  - Al transportar la unidad, fíjela en las posiciones especificadas en su plataforma. Además, fije la unidad por cuatro puntos para que no resbale por un lado.
- Retire los materiales de embalaje de forma segura.
  - Los materiales de embalaje como clavos y otras piezas metálicas o de madera pueden producir cortes u otras heridas.
  - Separe y retire las bolsas de embalaje de plástico para que los niños no jueguen con ellas y corran el riesgo de ahogarse.

## 1.5. Antes de iniciar el funcionamiento de prueba

### ⚠ Cuidado:

- El código de error "7130" aparece cuando se cumplen las dos condiciones siguientes.
  - La unidad PWFY se conecta a la unidad exterior de la serie Y.
  - La versión del software es la que se indica a continuación.
    - Serie PWFY: anterior a la versión. 1.13
    - Serie Y(YHM): anterior a la versión. 12.27
    - Serie Y(YJM): anterior a la versión. 1.31
    - Serie Replace Y(YJM): anterior a la versión. 11.31
    - Serie HP(ZUBADAN): anterior a la versión. 22.27
    - Serie WY: anterior a la versión. 12.29
- Conecte la corriente al menos 12 horas antes de que empiece a funcionar el equipo.
  - Si se acciona inmediatamente después de haberlo conectado a la corriente, pueden producirse daños graves en las piezas internas. Mantenga la unidad conectada a la corriente durante la temporada de funcionamiento.
- No toque los enchufes con los dedos mojados.
  - Si lo hace, puede producirse una descarga eléctrica.
- No toque las tuberías de refrigerante durante el funcionamiento e inmediatamente después de éste.
  - En esos momentos, las tuberías estarán frías o calientes, según la temperatura del refrigerante que pasa por ellas, el compresor y las demás piezas del circuito. Si toca las tuberías en tal estado, puede sufrir quemaduras o congelación en las manos.
- No accione el equipo de aire acondicionado cuando se hayan extraído los paneles y las protecciones.
  - Las piezas rotativas, calientes o con un alto voltaje podrían causar daños.



- **No desconecte la corriente inmediatamente después de parar el funcionamiento del equipo.**
  - Espere al menos cinco minutos antes de hacerlo, ya que podría producirse un escape de gas u otros problemas.
- **No toque la superficie del compresor durante el servicio de mantenimiento.**
  - Si la unidad está conectada a la fuente de alimentación y no funciona, estará funcionando el calefactor del cárter del compresor.
- **No toque los paneles cercanos a la salida de escape con las manos desnudas: pueden estar calientes mientras la unidad está en funcionamiento (incluso aunque esté parada) o inmediatamente después de la operación, y**

suponen un riesgo de quemaduras. Cuando sea necesario tocar los paneles, colóquese guantes para proteger sus manos.

- **Mientras la unidad esté en funcionamiento, o inmediatamente después de la operación, puede salir aire de escape de alta temperatura a través de la salida de escape del ventilador. No coloque las manos sobre la salida ni toque los paneles cercanos a la misma.**
- **Asegúrese de proporcionar un paso para el aire de escape del ventilador.**
- **Los tubos de agua pueden calentarse mucho dependiendo de la temperatura actual. Forre los tubos de agua con material aislante para evitar quemaduras.**

## 2. Sobre el producto

### ⚠ Atención:

- **No utilice un refrigerante diferente del indicado en los manuales que se entregan con la unidad y en la placa de identificación.**
  - Si lo hace, la unidad o las tuberías podrían explotar, o producirse una explosión o incendio durante su uso, reparación o en el momento de la eliminación de la unidad.
  - También podría suponer un quebrantamiento de la normativa aplicable.
  - MITSUBISHI ELECTRIC CORPORATION no es responsable de cualquier anomalía o accidente derivantes del uso del tipo de refrigerante equivocado.
- Esta unidad usa el refrigerante de tipo R410A.
- Los sistemas de tuberías que usen R410A pueden diferir del que usen los sistemas que emplean refrigerante convencional ya que la presión de diseño de los sistemas que usan el R410A es mayor. Consulte el Libro de Datos para más información.

- Algunas de las herramientas y del equipo usado para la instalación con los sistemas que usan otros tipos de refrigerante no pueden usarse con los sistemas que usen el R410A. Consulte el Libro de Datos para más información.
- No utilice el sistema de tuberías actual puesto que contiene cloro del tipo que encontrará en el aceite y refrigerante de las máquinas refrigeradoras convencionales. Este cloro deteriorará el aceite de la máquina refrigerante del equipo nuevo. No deben usarse las tuberías actuales ya que la presión de diseño de los sistemas que usan el R410A es mayor que la de los sistemas que usan otros tipos de refrigerante y las tuberías actuales podrían explotar.

## 3. Especificaciones

### ⚠ Atención:

**No utilice un refrigerante diferente del indicado en los manuales que se entregan con la unidad y en la placa de identificación.**

- Si lo hace, la unidad o las tuberías podrían explotar, o producirse una explosión o incendio durante su uso, reparación o en el momento de la eliminación de la unidad.
- También podría suponer un quebrantamiento de la normativa aplicable.
- MITSUBISHI ELECTRIC CORPORATION no es responsable de cualquier anomalía o accidente derivantes del uso del tipo de refrigerante equivocado.

Modelo		PWFY-P100VM-E-BU	PWFY-P100VM-E1-AU	PWFY-P200VM-E1-AU
Nivel de sonido		44dB<A>	29dB<A>	29dB<A>
Refrigerante		R134a × 1,1 kg	-	-
Peso neto		60 kg	35 kg	38 kg
Presión de diseño	R410A MPa	4,15	4,15	4,15
	R134a MPa	3,60	-	-
	Agua MPa	1,00	1,00	1,00
Conectable Unidad exterior	Capacidad total	50~100 % de la capacidad de la unidad exterior		50~100 % de la capacidad de la unidad exterior
	Modelo/Cantidad	Solo R2, Replace R2 serie, WR2 serie	Y, Replace Y serie, HP(ZUBADAN) serie, WY serie, R2, Replace R2 serie, WR2 serie	PUMY-P-V/YHMB(-BS)
Margen de temperaturas de Calefacción	Temperatura exterior	-20~32 °CWB (59~90 °F)	-20~32 °CWB (-4~90 °F) PURY - serie -20~15,5 °CWB (-4~60 °F) PUHY - serie	-15~21 °CDB (5~70 °F), -15~15 °CWB (5~59 °F)
	Temperatura del agua de entrada	10~70 °C (50~158 °F)	10~40 °C (50~104 °F)	10~45 °C (50~113 °F)
Margen de temperaturas de Refrigeración	Temperatura exterior	-	-5~43 °CDB (23~110 °F) PURY - serie -5~43 °CDB (23~110 °F) PUHY - serie	-
	Temperatura del agua de entrada	-	10~35 °C (50~95 °F)	-

## 4. Confirmación de las piezas incluidas

- ① Filtro      ② Material aislante térmico      ③ Juegos conectores × 2      ④ Junta de expansión × 2 (PWFY-P200VM-E1-AU)      ⑤ Cable      ⑥ Interruptor de flujo (PWFY-P100/P200VM-E1-AU)

## 5. Método de levantamiento

### ⚠ Cuidado:

**Tenga especial cuidado al transportar el producto.**

- Si la unidad pesa más de 20 kg no puede llevarla una sola persona.
- Para el empaquetado de varios productos juntos se suelen utilizar bandas de polipropileno (PP). No los utilice para transporte ya que son peligrosos.
- Rompa la bolsa de embalaje plástico y deséchela de modo que los niños no puedan jugar con ella. De lo contrario podrían llegar a morir ahogados.

## 6. Instalación de la unidad y espacio para el acceso del servicio técnico

### 6.1. Instalación

- Sujete bien la unidad a la base mediante los agujeros de fijación, según se indica a continuación.

[Fig. 6.1.1] (P.2)

- Ⓐ 4-ø14 (Agujero de fijación)      Ⓑ (Vista superior)

#### Base

- Instale la unidad en un lugar lo suficientemente resistente para aguantar el peso. Si la base es inestable, refuércela con una base de cemento.
- La unidad debe fijarse en una superficie plana. Utilice un nivel para comprobar que esté bien colocada.
- Si la unidad está situada cerca de una habitación donde el ruido puede ser un problema, se recomienda colocar una plataforma antivibración en la base de la unidad.

#### ⚠ Atención:

- **Asegúrese de instalar la unidad en un lugar lo suficientemente resistente para aguantar el peso. Cualquier escasez de resistencia puede provocar la caída de la unidad con riesgo de lesiones personales.**
- **Procure que la instalación quede bien protegida contra los posibles terremotos. Cualquier deficiencia en la instalación puede provocar la caída de la unidad con riesgo de lesiones personales.**

### 6.2. Espacio para el acceso del servicio técnico

- Al instalar el aparato, asegúrese de dejar el espacio necesario para efectuar el mantenimiento y las reparaciones (todos los trabajos pueden realizarse desde la parte frontal).

[Fig. 6.2.1] (P.2)

Modelo	a	b	c
PWFY-P100VM-E-BU	400	300	600
PWFY-P100VM-E1-AU	400	300	600
PWFY-P200VM-E1-AU	400	300	600

- Ⓐ Espacio para los tubos (lado derecho)  
 Ⓑ Vista superior  
 Ⓒ Espacio para el servicio técnico (parte frontal)

## 7. Instalación de la tubería de agua

- Antes de un largo período de no utilización, drene completamente el agua de los tubos y deje que se sequen.
- Utilice un circuito cerrado de agua.
- Cuando la unidad está en modo de refrigeración, añada salmuera al agua de circulación para evitar que se congele.
- Para utilizar salmuera en el sistema, DipSW 1-10 debe estar ajustado en ENCENDIDO.
- Cuando realice la instalación en un lugar de temperatura ambiental baja, mantenga el agua circulando siempre. Si esto no es posible, drene completamente el agua de los tubos o rellénelas con salmuera.
- No utilice el agua usada en esta unidad para beber ni para cocinar.
- No utilice tubos de acero como tubos de agua.

- ③ Deje sin envolver los últimos 1,5 o 2 surcos más alejados del final del conducto.

- Instale el filtro suministrado en la entrada de agua.
- Sujete el tubo del lado de la unidad en su lugar con una llave inglesa cuando instales los tubos o el filtro. Apriete los tornillos con un par de 50 N·m.
- Los tubos de agua pueden calentarse mucho dependiendo de la temperatura actual. Forre los tubos de agua con material aislante para evitar quemaduras.
- En el modelo PWFY-P200VM-E1-AU, instale la junta de expansión (accesorio) en la entrada después de haber instalado el filtro, y en la salida.

#### Ejemplo de instalación de la unidad (utilizando tubería de agua)

[Fig. 7.1.1] (P.2)

- Ⓐ Válvula de cierre      Ⓑ Entrada de agua  
 Ⓒ Salida de agua      Ⓓ Tubería de refrigerante  
 Ⓔ Purgador tipo Y      Ⓔ Tubería de drenaje  
 Ⓕ Junta de expansión

Modelo	Entrada de agua	Salida de agua
PWFY-P100VM-E-BU	Tornillo PT 3/4	Tornillo PT 3/4
PWFY-P100VM-E1-AU	Tornillo PT 3/4	Tornillo PT 3/4
PWFY-P200VM-E1-AU *1 Cuando instale las juntas de expansión suministradas.	Tornillo PT 1*1	Tornillo PT 1*1

### 7.1. Precauciones durante la instalación

- Utilice el método de tubería de retorno para asegurarse de que las tuberías aguantan bien cada unidad.
- Para facilitar el mantenimiento, la inspección y la sustitución de la unidad utilice las juntas, válvulas, etc. apropiadas en los puertos de admisión y salida de agua. Asimismo, asegúrese de instalar un purgador en el tubo de admisión de agua. (Para mantener la unidad en buen estado, es necesario instalar un purgador en la entrada de agua circulante.)
- Deje un orificio de ventilación en la tubería de agua. Cuando se haya canalizado el agua por la tubería, abra el orificio de ventilación para eliminar el exceso de aire.
- En las secciones de baja temperatura de la unidad se puede condensar el agua. Para drenarla, utilice un tubo de drenaje conectado a la válvula de drenaje de la base de la unidad.
- Coloque una válvula de prevención del reflujo en la bomba y una junta flexible para evitar el exceso de vibraciones.
- Utilice un manguito para proteger las tuberías instaladas en la pared.
- Utilice arandelas metálicas para fijar las tuberías e instélas de forma que no corran el riesgo de romperse o doblarse.
- No confunda las válvulas de admisión y de salida de agua.
- Esta unidad no incluye ningún calefactor para evitar el congelamiento en el interior de los tubos. Cuando el flujo del agua se detenga en ambientes de baja temperatura, extraiga el agua de los tubos.
- Los orificios extractores que no utilice deben cerrarse y la abertura de los tubos de refrigerante, tubos de agua, fuente de energía y cables de transmisión deben rellenarse con masilla, etc. para evitar que penetre agua.
- Instale el filtro con un ángulo de 45° o menos, como se muestra en la [Fig.7.1.2].
- Coloque algo de cinta de sellado alrededor de la parte roscada para evitar la fuga de agua.
- Coloque la cinta de sellado de la siguiente manera:
  - ① Envuelva la junta con la cinta de sellado en el sentido de los surcos (sentido de las agujas del reloj) sin que la cinta sobresalga del borde.
  - ② En cada giro, vuelva a pasar la cinta de sellado sobre sí misma lo equivalente a dos tercios o tres cuartos de su anchura. Presione la cinta con los dedos de forma que quede bien adherida a los surcos.

### 7.2. Instalación del sistema de aislamiento

La temperatura de la superficie de los tubos de agua pueden calentarse mucho dependiendo de la temperatura establecida. Aísle los tubos para evitar quemaduras. Para la operación de PWFY-P100/P200VM-E1-AU con agua fría, aísle los tubos de agua para evitar la condensación.

Forre los tubos de agua con material aislante como se muestra en la [Fig. 7.2.1].

- Las tuberías exteriores.
- Las tuberías interiores en regiones especialmente frías donde se pueden congelar y causar problemas.
- Cuando el aire exterior puede provocar la condensación en las tuberías.
- Las tuberías de drenaje.

[Fig. 7.2.1] (P.2)

- Ⓐ Material aislante térmico (accesorio)  
 Ⓑ Inyecte con material de calafateo

### 7.3. Tratamiento del agua y control de calidad del agua

Para conservar la calidad del agua, utilice el circuito de agua de tipo cerrado. Si la calidad del agua que circula es baja, el intercambiador de calor puede producir escamas que reducen la potencia de intercambio térmico y provocan la corrosión del intercambiador. Preste especial atención al tratamiento y control de calidad del agua cuando instale el sistema de circulación de aire.

- Retire los cuerpos extraños o impurezas que se encuentren en las tuberías. Durante la instalación, procure que los cuerpos extraños como fragmentos de soldaduras, sustancias selladoras u óxido no entren en las tuberías.
- Tratamiento de la calidad del agua

- ① En función de la calidad del agua, la tubería de cobre del intercambiador de calor puede corroerse. Se recomienda hacer un seguimiento periódico de la calidad del agua.

Los sistemas de circulación de agua que emplean depósitos de almacenamiento de calor abiertos son especialmente propensos a la corrosión.

Si se utiliza un depósito de almacenamiento de calor de tipo abierto, instale un intercambiador de calor agua-agua y utilice un circuito de bucle cerrado en el lado del aire acondicionado. Si se instala un depósito de suministro de agua, procure que el contacto con el aire sea mínimo y procure que el nivel de oxígeno disuelto en el agua no supere 1mg/l.

② Estándares de la calidad del agua

Ítems		Sistema de agua de temperatura de rango medio inferior Temperatura del agua $\leq 60$ °C		Sistema de agua de temperatura de rango medio superior Temperatura del agua $> 60$ °C		Tendencia	
		Agua recirculante	Agua de compensación	Agua recirculante	Agua de compensación	Corrosivo	Forma oxidación
Ítems estándar	pH (25 °C)	7,0 ~ 8,0	7,0 ~ 8,0	7,0 ~ 8,0	7,0 ~ 8,0	○	○
	Conductividad eléctrica (mS/m) (25 °C) ( $\mu$ S/cm) (25 °C)	30 o inferior [300 o inferior]	30 o inferior [300 o inferior]	30 o inferior [300 o inferior]	30 o inferior [300 o inferior]	○	○
	Ion de cloro (mg Cl/l)	50 o inferior	50 o inferior	30 o inferior	30 o inferior	○	
	Ion de sulfato (mg SO <sub>4</sub> <sup>2-</sup> /l)	50 o inferior	50 o inferior	30 o inferior	30 o inferior	○	
	Alcalinidad (pH4.8) (mg CaCO <sub>3</sub> /l)	50 o inferior	50 o inferior	50 o inferior	50 o inferior		○
	Dureza total (mg CaCO <sub>3</sub> /l)	70 o inferior	70 o inferior	70 o inferior	70 o inferior		○
	Dureza del calcio (mg CaCO <sub>3</sub> /l)	50 o inferior	50 o inferior	50 o inferior	50 o inferior		○
	Silicio ionizado (mg SiO <sub>2</sub> /l)	30 o inferior	30 o inferior	30 o inferior	30 o inferior		○
Ítems de referencia	Hierro (mg Fe/l)	1,0 o inferior	0,3 o inferior	1,0 o inferior	0,3 o inferior	○	○
	Cobre (mg Cu/l)	1,0 o inferior	1,0 o inferior	1,0 o inferior	1,0 o inferior	○	
	Ion de sulfito (mg S <sup>2-</sup> /l)	No se ha detectado	No se ha detectado	No se ha detectado	No se ha detectado	○	
	Ion de amonio (mg NH <sub>4</sub> <sup>+</sup> /l)	0,3 o inferior	0,1 o inferior	0,1 o inferior	0,1 o inferior	○	
	Cloro residual (mg Cl/l)	0,25 o inferior	0,3 o inferior	0,1 o inferior	0,3 o inferior	○	
	Dióxido de carbono libre (mg CO <sub>2</sub> /l)	0,4 o inferior	4,0 o inferior	0,4 o inferior	4,0 o inferior	○	
	Índice de estabilidad Ryzner	-	-	-	-	○	○

Referencia : Directriz de calidad de agua para equipos de refrigeración y aire acondicionado. (JRA GL02E-1994)

③ Consulte con un especialista en control de calidad del agua sobre los métodos de control y medición antes de optar por una solución anticorrosiva.

④ Cuando sustituya un aparato de aire acondicionado por otro (incluso en el caso de que reemplace sólo el intercambiador de calor), analice primero la calidad del agua y compruebe si hay indicios de corrosión.

En los sistemas de agua fría puede haber corrosión aunque no haya habido síntomas anteriormente.

Si el nivel de calidad del agua ha bajado, vuelva a ajustarlo antes de sustituir la unidad.

## 7.4. Sincronización de la bomba

Para realizar la prueba de funcionamiento antes de que se complete el circuito de bloqueo, cortocircuite el bloque de terminales TB142A (IN1) y realice la prueba de funcionamiento.

La unidad puede dañarse si se hace funcionar sin agua recirculando a través de las tuberías.

### <PWFY-P100VM-E-BU>

Debe sincronizar la puesta en marcha de la unidad y la bomba de agua. Para proceder a la interconexión TB142A (IN1), utilice los bloques de terminales que se encuentran en la unidad.

[Fig. 7.4.1] (P.2)

### <PWFY-P100/200VM-E1-AU>

#### <Sincronización de la bomba>

En un sistema que incluya PWFY-P100/P200VM-E1-AU, el agua de circulación puede congelarse y la consecuencia será un fallo de la unidad. Realice los trabajos eléctricos tal como se muestra en [Fig. 7.4.2] para evitar que el agua se congele.

#### <Interruptor de flujo>

Al instalar la unidad, asegúrese de instalar el interruptor de flujo suministrado en el lado de la salida de agua y conecte el cable al IN1 del TB142A en la unidad.

**Si no se instala el interruptor de flujo, la unidad emitirá una señal de error (2100: Error de interconexión) y no funcionará.**

**\* Viene incluido un cable de cortocircuitado, pero solo se utiliza para hacer pruebas.**

#### <Procedimientos de instalación>

① Retire los tubos conectados al interruptor de flujo.

**Nota: La unidad viene de serie con los tubos un poco sueltos.**

② Coloque algo de cinta de sellado alrededor de los surcos de los extremos de los tubos, y no sobre las aberturas, empezando por los surcos 1,5 o 2. Dé dos o tres vueltas con la cinta de sellado en el sentido de los surcos de los tubos (sentido de las agujas del reloj). En cada giro, la cinta debe pasar sobre sí misma lo equivalente a dos tercios o tres cuartos de su anchura. Presione los surcos y la cinta con los dedos de forma que ésta quede bien adherida a los surcos.

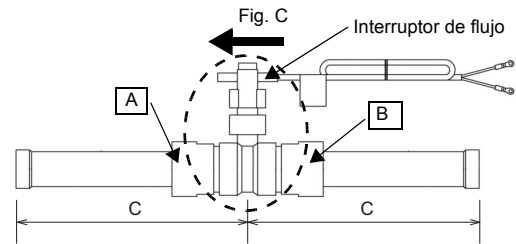
Después, conecte los tubos al interruptor de flujo, sujetando las partes A y B con una llave inglesa.

El par de apriete máximo es de 60 N·m (611 kgf·cm).

③ Conecte el interruptor de flujo y los cables a la salida de agua en posición horizontal. El ángulo del eje del tubo debe ser menor de 45 grados.

Compruebe la dirección del interruptor de flujo como se muestra en la Fig. C.

④ Conecte el cable del interruptor de flujo al IN1 del TB142A.



	C
PWFY-P100VM-E1-AU	175 mm
PWFY-P200VM-E1-AU	205 mm

Ajuste DipSW tal como se muestra en la tabla siguiente.

DipSW3-6	Contacto de salida externa
ENCENDIDO	Efectivo cuando Termo está ENCENDIDO
APAGADO	Efectivo cuando Funcionamiento está ENCENDIDO (Controlador remoto está ENCENDIDO)

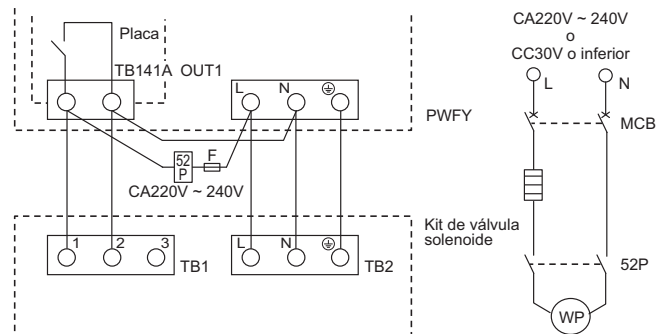
Asegúrese de encender la alimentación de la bomba, ya que el control no funciona si la alimentación de la bomba está apagada.

#### <PAC-SV01PW-E>

Conecte los cables tal y como se muestra en la [Fig. 7.4.3] al interconectar el funcionamiento de la bomba con otras unidades Y al conectar un kit de válvula solenoide (PAC-SV01PW-E) a un sistema que incluye unidades exteriores de la serie Y y de la serie HP(ZUBADAN), unidades interiores y PWFY-P100/P200VM-E1-AU.

Ajuste el Dip SW3-6 en ON (Activado). Asegúrese de que la versión del software es 1.18 o posterior.

[Fig. 7.4.3]



F: Fusible

52P: Contactor magnético para la bomba de agua de alimentación térmica

MCB: Disyuntor

WP: Bomba de agua

## 8. Especificaciones de los tubos del refrigerante y de drenaje

Para evitar la formación de gotas de rocío, instale suficiente material anticondensación y aislante en los tubos del refrigerante y del drenaje.

Cuando use tubos de refrigerante de los disponibles comercialmente, asegúrese de envolver tanto los tubos del refrigerante como el del drenaje con material aislante (con resistencia a temperaturas de más de 100 °C y del espesor indicado a continuación) también comercialmente disponible.

① Seleccione el espesor del material de aislamiento según el tamaño del tubo.

Modelo	PWFY-P100VM-E-BU	PWFY-P100VM-E1-AU	PWFY-P200VM-E1-AU
Gas	ø15,88	ø15,88	ø19,05
Líquido	ø9,52	ø9,52	ø9,52
Drenaje		ø32	
Grosor del material aislante	Menos de 10 mm		

② Si la unidad se usa en la planta superior de un edificio y bajo condiciones de humedad y temperatura elevadas, será necesario usar tubos y material de aislamiento de tamaño y espesor superiores a los indicados en la tabla anterior.

Envuelva también todos los tubos que pasen a través de las habitaciones con material aislante comercialmente disponible (con una gravedad específica de polietileno de 0,03 y el espesor indicado a continuación).

③ Si el cliente le indica alguna especificación especial, siga siempre sus indicaciones.

### 8.1. Tubo de refrigerante, tubo de drenaje y abertura de relleno

[Fig. 8.1.1] (P.3)

- Ⓐ Tubo de refrigerante (gas)
- Ⓑ Tubo de refrigerante (líquido)
- Ⓒ Entrada de agua
- Ⓓ Salida de agua
- Ⓔ Salida de drenaje
- \*1: PWFY-P100/200VM-E1-AU

## 9. Conexión de los tubos del refrigerante y de drenaje

### 9.1. Tareas con el tubo del refrigerante

La instalación de la tuberías debe hacerse de acuerdo con los manuales de instalación de la unidad exterior y del controlador BC (en la serie R2 de refrigeración y calefacción simultánea).

- La serie R2 ha sido diseñada para funcionar en un sistema en el que la tubería de refrigerante de una unidad exterior llega al controlador BC y se bifurca en el controlador BC para conectarse entre unidades interiores.
- Consulte en el manual de la unidad exterior las limitaciones sobre la longitud de los tubos y sobre la diferencia de elevación permitida.
- El método de conexión de los tubos es la soldadura.

#### ⚠ Cuidado:

- **Instale los tubos del refrigerante de la unidad interior de acuerdo con las siguientes pautas.**

1. Corte la punta de los tubos de la unidad interior, extraiga el gas y luego extraiga la tapa soldada.

[Fig. 9.1.1] (P.3)

- Ⓐ Corte aquí
- Ⓑ Extraiga la tapa soldada

2. Extraiga el aislamiento térmico de los tubos de refrigerante suplementarios, suelde la tubería de la unidad y vuelva a colocar el aislamiento en su posición original.  
Envuelva la tubería con cinta aislante.

#### Nota:

- **Preste suma atención al envolver la tubería de cobre porque puede producirse una condensación en lugar de evitarla.**

- \* Antes de soldar los tubos de refrigerante, **asegúrese de cubrir con un paño húmedo la tubería del cuerpo principal y la tubería con aislante térmico para evitar que se quemen y encojan por el calor.** Tenga cuidado de que la llama no entre en contacto con el propio cuerpo principal.

[Fig. 9.1.2] (P.3)

- Ⓐ Aislamiento térmico
- Ⓑ Tire
- Ⓒ Envuelva con un trapo mojado
- Ⓓ Vuelva a la posición original
- Ⓔ Asegúrese de que no quede ningún espacio
- Ⓕ Envuelva con cinta aislante

### Precauciones con la tubería del refrigerante

- ▶ **Asegúrese de usar soldaduras no oxidadas para evitar que entren en el tubo sustancias extrañas o suciedad.**
- ▶ **Asegúrese de untar aceite refrigerante sobre la superficie de contacto de la conexión por abocinamiento y de apretarla usando dos llaves inglesas.**
- ▶ **Instale un soporte de metal para sujetar un tubo de refrigerante de forma que no se ejerza ninguna fuerza sobre el extremo del tubo de la unidad interior. Este soporte metálico deberá instalarse a más de 50 cm de la conexión por abocinamiento de la unidad interior.**

#### ⚠ Atención:

- **No utilice un refrigerante diferente del indicado en los manuales que se entregan con la unidad y en la placa de identificación.**
  - Si lo hace, la unidad o las tuberías podrían explotar, o producirse una explosión o incendio durante su uso, reparación o en el momento de la eliminación de la unidad.
  - También podría suponer un quebrantamiento de la normativa aplicable.
  - MITSUBISHI ELECTRIC CORPORATION no es responsable de cualquier anomalía o accidente derivantes del uso del tipo de refrigerante equivocado.

- **Cuando instale y mueva la unidad, no la cargue con un refrigerante distinto al especificado (R407C o R22) en la unidad.**

- La mezcla con un refrigerante diferente, aire, etc. puede provocar un mal funcionamiento del ciclo de refrigeración produciendo graves daños.

#### ⚠ Cuidado:

- **Utilice tubos de refrigerante de cobre fosforoso desoxidado C1220 (Cu-DHP), como se indica en la normativa JIS H3300 "Tubos sin costura de cobre y de aleación de cobre". Por otro lado, asegúrese de que tanto la superficie interna de los tubos como la externa estén limpias y no contengan ninguna substancia que pueda resultar peligrosa como, por ejemplo, azufre, óxido, suciedad, polvo, restos de metal, aceites, humedad o cualquier otro elemento contaminante.**
- **No utilice tubos de refrigerante existentes.**
  - La gran cantidad de cloro en los refrigerantes y en el aceite del refrigerador convencionales que puede haber en los tubos existentes deteriorarían el nuevo refrigerante.
- **Almacene los tubos que vaya a utilizar en la instalación interior manteniendo ambos extremos de los tubos sellados hasta justo antes de soldarlos.**
  - Si entrase polvo, suciedad o agua en el ciclo de refrigeración, el aceite se deteriorará y el compresor fallará.

### 9.2. Tareas con la tubería de drenaje

1. Asegúrese de que la tubería de drenaje tenga una inclinación descendente (de más de 1/100) en el lado exterior (de descarga). No ponga ningún obstáculo o irregularidad en el recorrido. (①)
2. Asegúrese de que la longitud transversal de la tubería de drenaje es de menos de 20 m (sin incluir la diferencia de elevación). Si la tubería de drenaje es larga, instale abrazaderas metálicas para evitar que se formen ondulaciones. Nunca instale un tubo agujereado para ventilación porque el agua de drenaje podría salir expulsada.
3. Utilice un tubo rígido de cloruro de vinilo VP-25 (con un diámetro externo de 32 mm) para la tubería de drenaje.
4. Asegúrese de que las tuberías queden 10 cm por debajo de la abertura de drenaje del cuerpo de la unidad como se muestra en ②.
5. No instale ningún aparato de absorber olores en la abertura de descarga del drenaje.
6. Ponga el extremo de la tubería de drenaje en una posición en que no se generen malos olores.
7. No ponga el extremo de la tubería de drenaje en un lugar en que se generen gases iónicos.

[Fig. 9.2.1] (P.3)

- Ⓐ Pendiente descendente 1/100 o más
- Ⓑ Manguera de drenaje
- Ⓒ Unidad
- Ⓓ Tubería colectiva
- Ⓔ Amplíe esta longitud a aprox. 10 cm

### 9.3. Realización de las conexiones eléctricas

Compruebe que el nombre del modelo que aparece en las instrucciones de funcionamiento de la tapa de la caja de control coincida con el nombre del modelo de la placa identificativa.

Paso 1

Saque los tornillos sin quitar la tapa de la caja de terminales.

[Fig. 9.3.1] (P.3)

- Ⓐ Tornillos
- Ⓑ Panel frontal
- Ⓒ Caja de control

Nota:

**Procure no pellizcar los cables cuando coloque la tapa de la caja de terminales, ya que podría cortarlos.**

#### ⚠ Cuidado:

**Coloque los cables de modo que no queden muy rígidos o tirantes. Si quedan demasiado tensos podrían romperse, o sobrecalentarse y quemarse.**

- Sujete los cables de entrada/salida de la fuente de alimentación a la caja de control usando casquillos amortiguadores de la fuerza de tracción para evitar descargas eléctricas. (conexión PG o similar). Conecte los cables de transmisión al bloque de terminales de transmisión mediante el agujero precortado de la caja de control con un manguito corriente.

- Una vez completado el cableado, vuelva a comprobar que las conexiones no estén flojas y sujete la tapa a la caja de control en el orden contrario al seguido al quitarla.

[Fig. 9.3.2] (P.3)

- Ⓐ Para proteger los cables del bloque de terminales de alimentación de posibles tirones utilice un manguito intermedio del tipo conexión PG o similar.
- Ⓑ Cable de entrada de señales externas
- Ⓒ Cable de salida de señales externas
- Ⓓ Cables de alimentación
- Ⓔ Fuerza de tracción
- Ⓕ Utilice un manguito corriente
- Ⓖ Cable de transmisión y cable del controlador remoto MA

#### ⚠ Cuidado:

**Asegúrese de que la conexión a la fuente de alimentación no quede tirante, ya que de lo contrario podría romperse, sobrecalentarse o provocar un incendio.**

## 10. Cableado eléctrico

### Precauciones con el cableado eléctrico

#### ⚠ Atención:

**Los trabajos eléctricos deben ser realizados por personal técnico cualificado siguiendo las disposiciones "Normas técnicas para las instalaciones eléctricas" y de los manuales de instalación suministrados. También pueden usarse circuitos especiales. Si la potencia del circuito es insuficiente o hay fallos en la instalación, se corre el riesgo de que se produzca algún cortocircuito o incendio.**

- Asegúrese de desconectar la alimentación del circuito derivado especial.
- Asegúrese de instalar un interruptor de pérdidas a tierra.
- Instale la unidad de forma que los cables del circuito de control (controlador remoto, cables de transmisión, o línea de entrada/salida externa) no queden en contacto directo con los cables de alimentación fuera de la unidad.
- Asegúrese de que no ha quedado ninguna conexión suelta.
- Algunos cables (alimentación, controlador remoto, cables de transmisión, o línea de entrada/salida externa) que van por encima del techo pueden ser roídos por los ratones. Siembre que sea posible, proteja los cables insertándolos en tubos metálicos.

- Nunca conecte el cable de alimentación a las conexiones de los cables de transmisión. Si lo hace, los cables podrían romperse. Lea la etiqueta que se suministra con el conector si necesita más información.
- Asegúrese de conectar los cables de control en la unidad interior, el mando a distancia y la unidad exterior.
- Asegúrese de conectar la unidad a tierra.
- Seleccione cables de control que cumplan las condiciones indicadas en la página 37.

#### ⚠ Cuidado:

**Asegúrese de poner la unidad exterior en el suelo. No conecte el cable de tierra al tubo del gas, al tubo del agua, a la barra de un pararrayos o al cable de tierra del teléfono. Si no se hace la toma de tierra de forma completa podría producirse un cortocircuito.**

### Tipos de cables de control

#### 1. Cables de transmisión

- Tipos de cables de transmisión  
Trace el cableado según las indicaciones de la tabla siguiente <Tabla 1>.
- Asegúrese de aplicar un aislamiento suplementario a los cables suministrados.

#### 1. Cables de transmisión

PWFY-P100VM-E-BU

	Cables de transmisión	Cables del controlador remoto MA	Entrada externa	Salida externa
Tipo de cable	Cable blindado (2 almas) CVVS, CPEVS o MVVS	Cable de 2 almas forradas (blindado) CVVS	Cable de múltiples almas forradas (blindado) CVVS o MVVS	Cable de múltiples almas forradas (blindado) CVVS o MVVS
Diámetro del cable	Más de 1,25 mm <sup>2</sup>	0,3 ~ 1,25 mm <sup>2</sup> (0,75 ~ 1,25 mm <sup>2</sup> )*1	0,3 ~ 0,5 mm <sup>2</sup>	0,3 ~ 1,25 mm <sup>2</sup>
Observaciones	-	Longitud máx.: 200 m	Longitud máx.: 100 m	Tensión nominal: L1-N: 220 - 240 V Carga nominal: 0,6 A

PWFY-P100/200VM-E1-AU

	Cables de transmisión	Cables del controlador remoto MA	Entrada externa	Salida externa
Tipo de cable	Cable blindado (2 almas) CVVS, CPEVS o MVVS	Cable de 2 almas forradas (blindado) CVVS	Cable de múltiples almas forradas (blindado) CVVS o MVVS	Cable de múltiples almas forradas (blindado) CVVS o MVVS
Diámetro del cable	Más de 1,25 mm <sup>2</sup>	0,3 ~ 1,25 mm <sup>2</sup> (0,75 ~ 1,25 mm <sup>2</sup> )*1	0,3 ~ 0,5 mm <sup>2</sup>	0,3 ~ 1,25 mm <sup>2</sup>
Observaciones	-	Longitud máx.: 200 m	Longitud máx.: 100 m	Tensión nominal: L1-N: 220 - 240 V Carga nominal: 0,6 A

\*1 Conectado con controlador remoto sencillo  
CVVS, MVVS : Cable de control aislado con PVC y blindado con revestimiento de PVC  
CVV, MVV : Cable de control aislado con PVC y forrado con PVC  
CPEVS : Cable de comunicación aislado con PE y protegido con revestimiento de PVC

### 10.1. Cable de alimentación

- Los cables de alimentación de los equipos no pueden tener un diseño menor a 245 IEC 57 o 227 IEC 57.
- La instalación del acondicionador de aire debe hacer se con un interruptor que tenga una separación de contacto de por lo menos 3 mm en cada polo.

## CABLEADO ELÉCTRICO

### 1. Características eléctricas

Modelo	Fuente de alimentación				Compresor		RLA (A)
	Hz	Voltios	Margen de tensión	MCA (A)	Salida (kW)	SC (A)	Calefacción
PWFY-P100VM-E-BU	50/60	220-230-240 V	Máx. 264 V Mín. 198 V	15,71	1,0	1,25	11,63-11,12-10,66

Modelo	Fuente de alimentación				RLA (A)	
	Hz	Voltios	Margen de tensión	MCA (A)	Refrigeración	Calefacción
PWFY-P100VM-E1-AU PWFY-P200VM-E1-AU	50/60	220-230-240 V	Máx. 264 V Mín. 198 V	0,085	0,068-0,065-0,063	

## 2. Especificaciones de los cables eléctricos

Modelo	Grosor mínimo del cable (mm <sup>2</sup> )			Disyuntor para fuga de corriente	Interruptor local (A)		Disyuntor para cableado (NFB) (A)
	Cable principal	ramificación	Tierra		capacidad	fusible	
PWFY-P100VM-E-BU	2,5	-	2,5	30 A 30 mA 0,1 seg. o menos	25	25	30

Modelo	Corriente total de operación	Grosor mínimo del cable (mm <sup>2</sup> )			Disyuntor para fuga de corriente	Interruptor local (A)		Disyuntor para cableado (NFB) (A)
		Cable principal	ramificación	Tierra		capacidad	fusible	
PWFY-P100VM-E1-AU	16 A o menos	1,5	1,5	1,5	20 A 30 mA 0,1 seg. o menos	16	16	20
PWFY-P200VM-E1-AU	25 A o menos	2,5	2,5	2,5	30 A 30 mA 0,1 seg. o menos	25	25	30
	32 A o menos	4,0	4,0	4,0	40 A 30 mA 0,1 seg. o menos	32	32	40

[Fig. 10.1.1] (P.4)

- Ⓐ Disyuntor para fuga de corriente
- Ⓑ Interruptor local o disyuntores para cableado
- Ⓒ PWFY-P100VM-E-BU
- Ⓓ PWFY-P100/200VM-E1-AU
- Ⓔ Caja de derivación

### ⚠ Cuidado:

No use nada más que interruptores y fusibles de la capacidad correcta. El uso de fusibles con cables de cobre demasiado largos puede producir alguna avería o un incendio.

## 10.2. Conexión de los cables de transmisión del mando a distancia y de las unidades exterior e interior

(El mando a distancia está disponible opcionalmente)

- Conecte TB5 de la unidad y TB3 de la unidad exterior. (Cable no polarizado de 2 hilos (blindado))  
La "S" en TB5 de la unidad indica una conexión de cable blindado. Consulte en el manual de instalación de la unidad exterior las especificaciones sobre los cables de conexión.
- Instale el mando a distancia siguiendo las indicaciones del manual que se suministra con el mismo.
- Conecte el "1" y "2" de la unidad TB15 a un controlador remoto MA. (cable DUPLEX polarizado).

[Fig. 10.2.1] (P.4) Controlador remoto MA

- DC 10 a 13 V entre 1 y 2 (controlador remoto MA)

[Fig. 10.2.2] (P.4) Controlador remoto MA

- El controlador remoto MA no puede utilizarse al mismo tiempo ni intercambiarse.
  - Ⓐ No polarizado
  - Ⓑ TB15 (Cables del controlador remoto MA)
  - Ⓒ Controlador remoto MA
  - Ⓓ TB5 (Cables de transmisión)
  - Ⓔ TB2 (Cable de alimentación)

### Nota:

Procure no pellizcar los cables cuando coloque la tapa de la caja de terminales, ya que podría cortarlos.

### ⚠ Cuidado:

- Utilice cable con aislamiento suplementario.
- La entrada a TB142A, TB142B, y TB142C no deberá tener tensión.
- Los cables desde el equipo conectado a la entrada/salida externa deberán tener aislamiento suplementario.
- Utilice un solo cable de múltiples almas para permitir la conexión al tornillo PG.

### ⚠ Cuidado:

Asegúrese de que la conexión a la fuente de alimentación no quede tirante, ya que de lo contrario podría romperse, sobrecalentarse o provocar un incendio.

## 10.3. Función de entrada/salida externa

Entrada de temperatura preajustada (entrada analógica externa: 4 mA-20 mA)

La entrada externa se introduce a través de CN421, CN422 de la placa de circuitos. (Fig. 10.3.1)

Utilice el conector suministrado.

Si no se realizan ajustes de temperatura a través del controlador remoto MA, la temperatura cambiará con la actual.

Con respecto a cómo realizar los ajustes, consulte el manual de instrucciones suministrado con el controlador remoto MA.

4 mA → 10 °C      20 mA → 70 °C

### Nota:

Utilice un dispositivo de salida de señal de 4-20 mA con aislamiento.

### Terminal de salida externa

El terminal de salida externa (consulte la Fig. 10.3.2) estará inefectivo cuando el circuito esté abierto.

Con respecto a la información sobre cada contacto, consulte la Tabla 10.3.2.

La corriente y la tensión del circuito que se va a conectar al terminal de salida externa (TB141A OUT1) debe cumplir las siguientes condiciones.

Tensión nominal de contacto	Corriente nominal de contacto	
	AC250V	1 A o inferior
AC125V	3 A o inferior	
DC30V	3 A o inferior	

Tabla 10.3.2

OUT	Operación de ON(ACTIVAR)/OFF(DESACTIVAR)
OUT1	Operación de ON(ACTIVAR)/OFF(DESACTIVAR)
OUT2	Descongelar
OUT3	Compresor
OUT4	Señal de error

### Terminal de entrada externa

La longitud del cable deberá estar dentro de 100 m.

El terminal de entrada externa (consulte la Fig. 10.3.3) estará inefectivo cuando el circuito esté abierto.

Con respecto a la información sobre cada contacto, consulte la Tabla 10.3.3 a la Tabla 10.3.5.

Cuando el circuito esté en cortocircuito, solamente estará efectiva la función de "interbloqueo de la bomba".

Conecte un circuito de relé al terminal de salida externa, como se muestra en la Fig. 7.4.1.

Las especificaciones del circuito de relé a conectarse deberán satisfacer las condiciones siguientes.

Tensión nominal de contacto  $\geq$  DC15V

Corriente nominal de contacto  $\geq$  0,1A

Carga mínima aplicable  $\leq$  1mA en DC

Tabla 10.3.3

<PWFY-P100VM-E-BU>

TB142A

IN1	Interbloqueo de bomba
-----	-----------------------

<PWFY-P100/200VM-E1-AU>

TB142A

IN1	Interruptor de flujo
-----	----------------------

Tabla 10.3.4

TB142B

IN3	Demanda de conexión
IN4	Operación de ACTIVAR/DESACTIVAR

Tabla 10.3.5

TB142C

COM+	Común
IN5*1	Agua caliente/calefacción
IN6*2	Calefacción ECO
IN7*3	Anticongelante

\*1 PWFY-P100VM-E-BU      Agua caliente

PWFY-P100/200VM-E1-AU      Calefacción

\*2 Efectivo cuando SW 4-3 esté ajustado a ON.

\*3 Efectivo cuando SW 4-4 esté ajustado a ON.

\*4 Cuando ajuste el modo ecológico de calefacción o el modo anticongelación, reinicie las fuentes de alimentación de todas las unidades (unidades exteriores/interiores).

## 10.4. Configuración de las direcciones

(Asegúrese de trabajar con la corriente desconectada)

### [Fig. 10.4.1] (P.4)

<Panel de direcciones>

- Hay disponibles dos tipos de configuraciones para los conmutadores giratorios: uno para la configuración de las direcciones 1 – 9 y por encima de 10 y otro para configurar los números de los ramales.

#### ① Cómo configurar las direcciones

Ejemplo: Si la Dirección es "3", deje SWU2 (por encima de 10) en "0" y ponga SWU1 (para 1 – 9) en "3".

#### ② Como configurar los números de ramal SWU3 (Sólo serie R2)

Haga coincidir el tubo de refrigerante de la unidad interior con el número de conexión del extremo del controlador BC. Deje el resto, excepto R2 en "0".

- Los conmutadores giratorios salen de fábrica puestos en "0". Estos conmutadores pueden usarse para configurar a voluntad las direcciones de la unidad y los números de cada ramal.
- Las direcciones de las unidades interiores se determinan de forma distinta en la propia instalación según el sistema. Configúrelas según el manual de datos.

## 11. Información de la placa de características

### ⚠ Atención:

No utilice un refrigerante diferente del indicado en los manuales que se entregan con la unidad y en la placa de identificación.

- Si lo hace, la unidad o las tuberías podrían explotar, o producirse una explosión o incendio durante su uso, reparación o en el momento de la eliminación de la unidad.
- También podría suponer un quebrantamiento de la normativa aplicable.
- MITSUBISHI ELECTRIC CORPORATION no es responsable de cualquier anomalía o accidente derivantes del uso del tipo de refrigerante equivocado.

Modelo		PWFY-P100VM-E-BU	PWFY-P100VM-E1-AU	PWFY-P200VM-E1-AU
Refrigerante (kg)	R134a	1,1	–	–
	R410A	4,15	4,15	4,15
Presión permisible (MPa)	R134a	3,60	–	–
	agua	1,0	1,0	1,0
Peso neto (kg)		60	35	38

1. Misure di sicurezza .....	40
1.1. Prima dell'installazione e dell'esecuzione dei collegamenti elettrici .....	40
1.2. Precauzioni per dispositivi che impiegano il refrigerante R410A .....	41
1.3. Prima di installare l'unità .....	41
1.4. Prima dell'installazione (trasporto) - collegamenti elettrici .....	41
1.5. Prima di iniziare la prova di funzionamento .....	41
2. Informazioni sul prodotto .....	42
3. Specifiche .....	42
4. Elenco dei componenti in dotazione .....	42
5. Metodo di sollevamento .....	42
6. Installazione dell'unità e spazio per gli interventi .....	43
6.1. Installazione .....	43
6.2. Spazio per gli interventi .....	43
7. Installazione della tubazione idraulica .....	43
7.1. Norme di installazione .....	43
7.2. Installazione dell'isolamento .....	43
7.3. Trattamento delle acque e controllo della qualità .....	43
7.4. Asservimento della pompa .....	44
8. Specifiche delle tubazioni del refrigerante e di drenaggio .....	45
8.1. Tubo refrigerante, tubo di scarico e porta di riempimento .....	45
9. Collegamento delle tubazioni del refrigerante e di drenaggio .....	45
9.1. Collegamento della tubazione del refrigerante .....	45
9.2. Collegamento della tubazione di drenaggio .....	45
9.3. Esecuzione dei collegamenti elettrici .....	46
10. Cablaggi elettrici .....	46
10.1. Cavi di alimentazione .....	46
10.2. Collegamento del comando a distanza e dei cavi di trasmissione delle sezioni interne ed esterne .....	47
10.3. Funzione di ingresso/uscita esterni .....	47
10.4. Impostazione degli indirizzi .....	48
11. Targhetta con le informazioni di capacità .....	48

## 1. Misure di sicurezza

### 1.1. Prima dell'installazione e dell'esecuzione dei collegamenti elettrici

- ▶ Leggere attentamente la sezione "Misure di sicurezza" prima di far funzionare l'unità.
- ▶ La sezione "Misure di sicurezza" contiene informazioni importanti sulla sicurezza di funzionamento dell'unità. Accertarsi che vengano seguite perfettamente.

#### Simboli utilizzati nel testo

##### ⚠ Avvertenza:

Descrive le precauzioni da prendere per evitare il rischio di lesioni, anche mortali, per l'utente.

##### ⚠ Cautela:

Descrive le precauzioni da prendere per evitare il danneggiamento dell'unità.

#### Simboli utilizzati nelle illustrazioni

⊘ : Indica un'azione da evitare.

⚠ : Indica la necessità di rispettare un'istruzione importante.

⚠ : Indica la necessità di collegare un componente a massa.

⚠ : Attenzione alle scosse elettriche. (Questo simbolo è visualizzato sull'etichetta dell'unità principale.) <Colore: giallo>

⚠ : Attenzione superficie calda

##### ⚠ Avvertenza:

Leggere attentamente le etichette attaccate all'unità principale.

##### ⚠ Avvertenza:

- Se il cavo di alimentazione è danneggiato, farlo sostituire dal produttore, da un rappresentante autorizzato o da un tecnico qualificato per evitare pericoli.
- L'apparecchio non è destinato all'uso da parte di persone (inclusi bambini) con capacità fisiche, sensoriali o mentali ridotte, o con esperienza e conoscenza insufficienti, a meno che siano sorvegliati o ricevano apposite istruzioni per l'uso dell'apparecchio da una persona responsabile della loro sicurezza.
- Non utilizzare refrigeranti diversi dal tipo indicato nei manuali forniti con l'unità e sulla placca di identificazione.
  - In caso contrario l'unità o le tubazioni potrebbero rompersi o esplodere, o potrebbero verificarsi incendi durante l'utilizzo, le operazioni di riparazione o di smaltimento dell'unità.
  - Potrebbe inoltre costituire una violazione delle normative vigenti.
  - MITSUBISHI ELECTRIC CORPORATION non sarà ritenuta responsabile per malfunzionamenti o incidenti risultanti dall'utilizzo di un tipo errato di refrigerante.
- Non utilizzare tubi di acciaio per le condutture dell'acqua.
  - Si consigliano tubi in rame.
- Il circuito idraulico deve essere un circuito chiuso.
- Chiedere al distributore o ad una società autorizzata di installare l'unità.
  - Se l'unità non è installata correttamente, vi è il rischio di perdite d'acqua, di scosse elettriche o di incendio.
- Installare l'unità in un punto in grado di reggerne il peso.
  - Se l'unità è montata su una struttura non adatta, vi è il rischio che cada con conseguenze anche gravi.
- Non toccare l'unità. La superficie dell'unità potrebbe essere calda.
- Non installare l'unità in luoghi in cui vengono generati gas corrosivi.

- Utilizzare solo cavi specifici per i cablaggi. I collegamenti devono essere eseguiti in modo sicuro ed occorre evitare che i cavi siano troppo tesi rispetto ai raccordi terminali.
  - Collegamenti non corretti ed un'installazione impropria possono creare un surriscaldamento con rischio di incendio.
- Tenere in considerazione la pioggia, l'umidità e la possibilità di terremoti, installando l'unità in un posto appropriato.
  - Un'installazione eseguita in modo non corretto rischia di causare danni o lesioni.
- Utilizzare sempre il colatoio e gli altri accessori specificati da Mitsubishi Electric.
  - Chiedere al proprio distributore o ad una società autorizzata di installarli. Se questi non sono installati correttamente, vi è il rischio di perdite d'acqua, di scosse elettriche o di incendio.
- Non riparare mai l'unità. Qualora debba essere riparata, consultare il proprio distributore.
  - In caso di riparazione non effettuata correttamente, vi è il rischio di perdite d'acqua, di scosse elettriche o di incendio.
- Non toccare i tubi del refrigerante e i tubi dell'acqua.
  - Una manipolazione non corretta può essere alla base di lesioni.
- Per maneggiare questo prodotto indossare sempre abiti protettivi, ad esempio, guanti, protezioni complete per le braccia, abiti da lavoro specifici per caldaie e occhiali protettivi.
  - Una manipolazione non corretta può essere alla base di lesioni.
- Ventilare la stanza se si verificano delle perdite di refrigerante durante l'installazione dell'unità.
  - In caso di contatto del refrigerante con una fiamma, vi sarà il rilascio di gas velenosi.
- Installare l'unità conformemente a quanto indicato nel manuale di installazione.
  - In caso di installazione non effettuata correttamente, vi è il rischio di perdite d'acqua, di scosse elettriche o di incendio.
- Tutti i lavori elettrici devono essere eseguiti da un elettricista esperto, nel pieno rispetto degli "Standard normativi sulle installazioni elettriche" e della "Regolamentazione sui circuiti interni", oltre che delle istruzioni contenute nel presente manuale. Le unità devono essere alimentate da una linea specifica.
  - Linee di alimentazione con una capacità insufficiente o raccordate in modo inadatto possono causare scosse elettriche o un incendio.
- Tenere le parti elettriche lontano dall'acqua (acqua di lavaggio, ecc.).
  - Vi è il rischio di scosse elettriche, di incendio o di emissione di fumo.
- Fissare saldamente il coperchio del blocco terminale della sezione esterna (pannello).
  - Se il coperchio del blocco terminale (pannello) non è installato correttamente, può consentire l'entrata di polvere o acqua, con un conseguente rischio di scosse elettriche o incendio.
- In caso di installazione o di spostamento del condizionatore in un altro luogo, non utilizzare un refrigerante diverso dal refrigerante (R410A) specificato sull'unità.
  - Qualora venisse mischiato un refrigerante diverso a quello originale, vi è il rischio di un cattivo funzionamento del circuito, con conseguenti danni all'unità.
- Se il condizionatore d'aria viene installato in una stanza di piccole dimensioni, occorre adottare le misure necessarie per evitare la concentrazione di refrigerante al di là dei limiti di sicurezza, in caso di perdite.
  - Per quanto riguarda queste misure, rivolgersi al proprio distributore. Nel caso in cui si verificano le perdite di refrigerante e vengano oltrepassati i limiti di concentrazione, possono verificarsi degli incidenti seri a seguito della mancanza di ossigeno nella stanza.
- In caso di spostamento o di reinstallazione del condizionatore d'aria, consultare il proprio distributore o una società specializzata.
  - In caso di installazione non effettuata correttamente, vi è il rischio di perdite d'acqua, di scosse elettriche o di incendio.



- **Una volta completata l'installazione, accertarsi che non vi siano perdite di refrigerante.**
  - In caso di perdite di gas e di contatto di queste con un riscaldatore, uno scaldino, un forno od un'altra sorgente elettrica, vi è il rischio di generazione di gas nocivi.
- **Non rimodellare o modificare le caratteristiche dei dispositivi di protezione.**
  - Se il pressostato, l'interruttore termico od un altro dispositivo di protezione viene messo in corto e fatto funzionare in modo non opportuno, o se vengono utilizzate parti diverse da quelle specificate dalla Mitsubishi Electric, vi è il rischio di incendio o esplosione.
- **Per lo smaltimento del prodotto, consultare il proprio distributore.**
- **L'installatore e il tecnico dell'impianto dovranno provvedere ad assicurare che non vi siano perdite, conformemente alle normative e agli standard locali.**
  - Se non sono disponibili normative locali, è possibile applicare gli standard seguenti.
- **Prestare particolare attenzione ai luoghi in cui il gas refrigerante potrebbe accumularsi, ad esempio ai piani più bassi, in quanto è più pesante dell'aria.**
- **Sorvegliare i bambini affinché non giochino con l'apparecchio.**

## 1.2. Precauzioni per dispositivi che impiegano il refrigerante R410A

### ⚠ Avvertenza:

- **Non utilizzare refrigeranti diversi dal tipo indicato nei manuali forniti con l'unità e sulla placca di identificazione.**
  - In caso contrario l'unità o le tubazioni potrebbero rompersi o esplodere, o potrebbero verificarsi incendi durante l'utilizzo, le operazioni di riparazione o di smaltimento dell'unità.
  - Potrebbe inoltre costituire una violazione delle normative vigenti.
  - MITSUBISHI ELECTRIC CORPORATION non sarà ritenuta responsabile per malfunzionamenti o incidenti risultanti dall'utilizzo di un tipo errato di refrigerante.

### ⚠ Cautela:

- **Non usare l'esistente tubazione del refrigerante.**
  - Il vecchio liquido refrigerante e l'olio refrigerante presenti nella tubazione esistente contengono un'elevata quantità di cloro che può causare un deterioramento dell'olio della nuova unità.
  - Il gas R410A è un refrigerante ad alta pressione e può provocare l'esplosione delle tubazioni esistenti.
- **Utilizzare tubazioni del refrigerante fatte in rame fosforoso disossidato C1220 (Cu-DHP), come specificato in JIS H3300 "Tubazioni e tubi senza saldature in rame e leghe di rame". Oltre a ciò, accertarsi che le superfici interne dei tubi siano perfettamente pulite e prive di tracce di zolfo, ossidi, polvere/sporcizia, trucioli, oli, umidità e qualsiasi altro agente contaminante.**
  - Gli agenti contaminanti all'interno della tubazione del refrigerante possono causare un deterioramento dell'olio refrigerante residuo.
- **Conservare la tubazione da usare per l'installazione all'interno e sigillare entrambe le estremità della tubazione sino al momento della saldatura. (Conservare i gomiti e gli altri giunti in un sacco di plastica).**
  - In caso di ingresso di polvere, sporcizia o acqua nel circuito refrigerante, vi è il rischio di un deterioramento dell'olio e di un cattivo funzionamento del compressore.
- **Usare olio a base di esteri, olio a base di etere o alchilbenzene (in piccole quantità) per lubrificare i collegamenti a cartella e a flangia.**
  - L'olio refrigerante subirà un deterioramento se mescolato con una grande quantità di olio minerale.
- **Riempire il sistema di liquido refrigerante.**
  - In caso di uso di gas refrigerante per sigillare il sistema, la composizione del refrigerante nel cilindro subirà una modifica ed il rendimento può diminuire notevolmente.
- **Non utilizzare refrigeranti diversi dall'R410A.**
  - Se altri refrigeranti (R22, ecc.) vengono miscelati all'R410A, il cloro potrebbe causare deterioramenti dell'olio refrigerante.
- **Usare una pompa a vuoto con una valvola di controllo dell'inversione di flusso.**
  - L'olio della pompa a vuoto può fluire nel circuito refrigerante e causare un deterioramento dell'olio.
- **Non usare i seguenti attrezzi, utilizzati di solito con i refrigeranti convenzionali.**

**(Raccordo del manometro, tubo flessibile di carica, rivelatore di perdite di gas, valvola di controllo del flusso invertito, base di carica del refrigerante, equipaggiamento di recupero di refrigerante)**

  - Se il refrigerante convenzionale e l'olio refrigerante vengono miscelati nell'R410A, il refrigerante potrebbe deteriorarsi.
  - Se l'acqua viene miscelata nell'R410A, l'olio refrigerante potrebbe deteriorarsi.
  - Dal momento che l'R410A non contiene cloro, i rilevatori di perdite di gas per refrigeranti convenzionali non entrano in azione.
- **Non utilizzare una bombola di carica.**
  - L'uso di una bombola di carica può causare un deterioramento dell'olio refrigerante.
- **Usare gli attrezzi con grande precauzione.**
  - In caso di ingresso di polvere, sporcizia o acqua nel circuito refrigerante, il refrigerante rischia di deteriorarsi.

## 1.3. Prima di installare l'unità

### ⚠ Cautela:

- **Non installare l'unità in un luogo in cui potrebbero esservi perdite di gas.**
  - In caso di perdite di gas, questo potrebbe accumularsi all'attorno all'unità ed esplodere.
- **Non tenere generi alimentari, animali domestici, piante, strumenti di precisione od opere d'arte nella zona della portata d'aria del condizionatore.**
  - La qualità dei generi alimentari, ecc. potrebbe deteriorarsi.
- **Non usare il condizionatore in ambienti speciali.**
  - Gli oli, i vapori, i fumi solforici, ecc., possono ridurre in modo significativo il rendimento dell'unità e danneggiare le sue parti interne.
- **Durante l'installazione dell'unità in un ospedale, in un centro di trasmissione o luogo simile, occorre prevedere una sufficiente protezione acustica.**
  - Il condizionatore d'aria può funzionare in modo errato o non funzionare del tutto se disturbato da un'apparecchiatura inverter, da un generatore elettrico ad uso privato, da un'apparecchiatura medica ad alta frequenza o da un equipaggiamento di comunicazione radio. Per converso, il condizionatore d'aria può influenzare negativamente il funzionamento di tali equipaggiamenti creando rumori in grado di disturbare il trattamento medico o la trasmissione di immagini.
- **Non installare l'unità su una struttura che potrebbe causare una perdita.**
  - Se l'umidità della stanza supera l'80 % o se il tubo di drenaggio è intasato, l'acqua può gocciolare dalla sezione interna. Effettuare quindi un impianto di raccolta dello scarico insieme all'unità, se necessario.

## 1.4. Prima dell'installazione (trasporto) - collegamenti elettrici

### ⚠ Cautela:

- **Messa a terra dell'unità.**
  - Non collegare mai il filo di massa ad un tubo del gas, ad un tubo dell'acqua, ad un conduttore di illuminazione o ad un filo di messa a terra del telefono. Ciò può infatti creare scosse elettriche.
- **Installare le linee di alimentazione in modo che i cavi non siano in tensione.**
  - La tensione potrebbe causare una rottura dei cavi, con la generazione di calore e il rischio di incendio.
- **Installare un interruttore del circuito, se necessario.**
  - In mancanza di un interruttore del circuito, vi è il rischio di scosse elettriche.
- **Utilizzare, per le linee di alimentazione, cavi standard con una capacità sufficiente.**
  - In caso contrario, vi è il rischio di perdite, di generazione di calore o di incendio.
- **Usare soltanto un interruttore del circuito e fusibili della capacità specificata.**
  - In presenza di un interruttore del circuito o di fusibili di capacità superiore, un cavo di acciaio o di rame può causare un guasto generale o un incendio.
- **Non lavare un condizionatore d'aria.**
  - Ciò potrebbe causare una scossa elettrica.
- **Accertarsi che la base di installazione non sia danneggiata dal lungo uso.**
  - Qualora non si provveda a rimediare a tale inconveniente, l'unità rischia di cadere e di causare danni o lesioni.
- **Installare la tubazione di drenaggio rispettando quanto raccomandato nel presente manuale di installazione, in modo da assicurare un corretto drenaggio. Avvolgere nastro isolante termico attorno ai tubi per evitare la formazione di condensa.**
  - Una tubazione di drenaggio non conforme può causare perdite d'acqua e danni ai mobili ed agli altri beni.
- **Stare molto attenti durante il trasporto dell'unità.**
  - Se il suo peso supera i 20 kg, essa non deve essere trasportata da una persona sola.
  - Alcune unità sono imballate con nastri PP. Evitare di usare nastri PP come mezzo di trasporto. Ciò può essere pericoloso.
  - Durante il trasporto dell'unità, sostenerla nei punti specificati sulla base dell'unità. Sostenere inoltre l'unità nei quattro punti in modo da non farla scivolare sui lati.
- **Accertarsi di eliminare in modo sicuro i materiali di imballaggio.**
  - I materiali di imballaggio, come ganci e parti metalliche o di legno, possono provocare ferite.
  - Rimuovere ed eliminare tutti i sacchetti di plastica in modo che i bambini non li usino per giocare. I giochi con i sacchetti di plastica sono molto pericolosi in quanto i bambini corrono il rischio di soffocamento.

## 1.5. Prima di iniziare la prova di funzionamento

### ⚠ Cautela:

- **Codice di errore "7130" compare quando si verificano entrambe delle seguenti condizioni.**
  - L'unità PWFY è collegata all'unità esterna della serie Y.
  - La versione del software è presente nel seguente elenco.
    - Serie PWFY: precedente alla Ver. 1.13
    - Serie Y(YHM): precedente alla Ver. 12.27
    - Serie Y(YJM): precedente alla Ver. 1.31
    - Serie Repalce Y(YJM): precedente alla Ver. 11.31
    - Serie HP(ZUBADAN): precedente alla Ver. 22.27
    - Serie WY: precedente alla Ver. 12.29

- **Accendere l'interruttore di alimentazione principale almeno dodici ore prima dell'avvio dell'unità.**
  - Un immediato avvio dell'unità dopo l'accensione di questo interruttore può danneggiare le parti interne della stessa. Tenere acceso l'interruttore di alimentazione principale durante la stagione di funzionamento.
- **Non toccare alcun interruttore con le dita bagnate.**
  - Questo potrebbe causare una scossa elettrica.
- **Non toccare i tubi del refrigerante con le mani nude durante ed immediatamente dopo il funzionamento.**
  - Talvolta, questi tubi sono roventi o ghiacciati, in funzione delle condizioni del refrigerante, del compressore e degli altri componenti del circuito refrigerante. I tubi potrebbero in questo caso causare scottature o congelamento.
- **Prima di iniziare il funzionamento dell'unità, controllare che tutti i pannelli, e le protezioni siano installate correttamente.**
  - Le parti rotanti, roventi o ad alta tensione possono produrre conseguenze gravi.
- **Dopo aver arrestato l'unità, non spegnere immediatamente l'interruttore di alimentazione principale.**

- Attendere almeno cinque minuti prima di spegnere l'interruttore, per evitare perdite d'acqua o il rischio di un guasto.
- **Non toccare la superficie del compressore durante le operazioni di manutenzione.**
  - Se l'unità è collegata all'alimentazione e non è in funzione, il riscaldatore carter del compressore è comunque in funzione.
- **Non toccare i pannelli accanto alla presa di scarico della ventola a mani nude: possono scaldarsi quando l'unità è in funzione (anche se viene arrestata) o immediatamente dopo il funzionamento, con il rischio di scottature. Indossare guanti protettivi quando è necessario toccare i pannelli.**
- **Quando l'unità è in funzione o immediatamente dopo il funzionamento, dallo scarico della ventola può fuoriuscire aria ad alta temperatura. Non tenere le mani sopra lo scarico e non toccare i pannelli accanto ad esso.**
- **Assicurarsi di fornire un percorso per l'aria di scarico proveniente dalla ventola.**
- **I tubi dell'acqua possono raggiungere temperature elevate, in base alla temperatura preimpostata. Coprire i tubi dell'acqua con materiale isolante per evitare scottature.**

## 2. Informazioni sul prodotto

### ⚠ Avvertenza:

- **Non utilizzare refrigeranti diversi dal tipo indicato nei manuali forniti con l'unità e sulla placca di identificazione.**
  - In caso contrario l'unità o le tubazioni potrebbero rompersi o esplodere, o potrebbero verificarsi incendi durante l'utilizzo, le operazioni di riparazione o di smaltimento dell'unità.
  - Potrebbe inoltre costituire una violazione delle normative vigenti.
  - MITSUBISHI ELECTRIC CORPORATION non sarà ritenuta responsabile per malfunzionamenti o incidenti risultanti dall'utilizzo di un tipo errato di refrigerante.
- Questa unità utilizza un refrigerante di tipo R410A.

- Le tubazioni degli impianti che utilizzano R410A possono essere diverse da quelle degli impianti a refrigerante convenzionale, perché la pressione di progetto dei sistemi a R410A è maggiore. Per maggiori informazioni, consultare il libretto dei dati.
- Alcuni strumenti e attrezzature usati per gli impianti che utilizzano altri tipi di refrigerante non possono essere adoperati per gli impianti a R410A. Per maggiori informazioni, consultare il libretto dei dati.
- Non utilizzare le tubazioni esistenti. Queste, infatti, contengono cloro, che si trova nell'olio refrigerante della macchina e nel refrigerante. Il cloro deteriorerà l'olio refrigerante della macchina nelle nuove apparecchiature. Le tubazioni esistenti non devono essere utilizzate, poiché la pressione di progetto degli impianti a R410A è superiore a quella degli impianti che utilizzano altri tipi di refrigerante. Pertanto, le tubazioni esistenti potrebbero esplodere.

## 3. Specifiche

### ⚠ Avvertenza:

**Non utilizzare refrigeranti diversi dal tipo indicato nei manuali forniti con l'unità e sulla placca di identificazione.**

- In caso contrario l'unità o le tubazioni potrebbero rompersi o esplodere, o potrebbero verificarsi incendi durante l'utilizzo, le operazioni di riparazione o di smaltimento dell'unità.
- Potrebbe inoltre costituire una violazione delle normative vigenti.
- MITSUBISHI ELECTRIC CORPORATION non sarà ritenuta responsabile per malfunzionamenti o incidenti risultanti dall'utilizzo di un tipo errato di refrigerante.

Modello		PWFY-P100VM-E-BU	PWFY-P100VM-E1-AU	PWFY-P200VM-E1-AU
Rumorosità		44dB<A>	29dB<A>	29dB<A>
Refrigerante		R134a × 1,1 kg	-	-
Peso netto		60 kg	35 kg	38 kg
Pressione modello	R410A MPa	4,15	4,15	4,15
	R134a MPa	3,60	-	-
	Acqua MPa	1,00	1,00	1,00
Collegabile Unità esterna	Capacità totale	50~100 % della capacità dell'unità esterna		Collegabile solo ad una unità esterna
	Modello/Quantità	Solo la R2, Replace R2 serie, WR2 serie	Y, Replace Y serie, HP(ZUBADAN) serie, WY serie, R2, Replace R2 serie, WR2 serie	PUMY-P-V/YHMB(-BS)
Gamma temperatura Riscaldamento	Temperatura esterna	-20~32 °CWB (59~90 °F)	-20~32 °CWB (-4~90 °F) serie PURY -20~15,5 °CWB (-4~60 °F) serie PUHY	-15~21 °CDB (5~70 °F), -15~15 °CWB (5~59 °F)
	Temperatura acqua in ingresso	10~70 °C (50~158 °F)	10~40 °C (50~104 °F)	10~45 °C (50~113 °F)
Gamma temperatura Raffreddamento	Temperatura esterna	-	-5~43 °CDB (23~110 °F) serie PURY -5~43 °CDB (23~110 °F) serie PUHY	-
	Temperatura acqua in ingresso	-	10~35 °C (50~95 °F)	-

## 4. Elenco dei componenti in dotazione

- ① Colatoio      ② Materiale per isolamento termico      ③ Set connettori × 2      ④ Giunto espansione × 2 (PWFY-P200VM-E1-AU)      ⑤ Filo elettrico      ⑥ Interruttore di flusso (PWFY-P100/P200VM-E1-AU)

## 5. Metodo di sollevamento

### ⚠ Cautela:

**Fare molta attenzione quando si trasporta il prodotto.**

- Evitare di far trasportare il prodotto da una sola persona se il suo peso supera i 20 kg.
- Per l'imballaggio di alcuni prodotti vengono utilizzati dei nastri in polipropilene. Evitare di usarli come mezzo di trasporto in quanto può essere pericoloso.
- Lacerare il sacchetto di plastica dell'imballaggio e gettarlo via, in modo che i bambini non possano utilizzarlo per giocare. Il sacchetto di plastica potrebbe causare la morte per soffocamento.

## 6. Installazione dell'unità e spazio per gli interventi

### 6.1. Installazione

- Per fissare l'unità alla base, avvitare a fondo i bulloni sui fori di ancoraggio indicati in figura.

[Fig. 6.1.1] (P.2)

Ⓐ 4-ø14 (foro ancoraggio)

Ⓑ (Vista dall'alto)

#### Basi

- Accertarsi di installare l'unità in posizione sufficientemente solida a sostenerne il peso; se la base fosse instabile, provvedere al rinforzo con calcestruzzo.
- L'unità va fissata su una superficie piana. Dopo l'installazione, procedere alla verifica con una livella.
- Installando l'unità in prossimità di ambienti in cui il rumore può causare problemi, si consiglia di utilizzare un telaio antivibrato sulla base dell'unità.

#### ⚠ Avvertenze:

- Accertarsi di installare l'unità su una superficie abbastanza resistente da sostenerne il peso, in modo da evitare che cada, con il rischio di lesioni personali.
- L'installazione va eseguita in modo da proteggere l'unità in caso di terremoto. Qualsiasi inaccuratezza può causare la caduta dell'unità, con rischi di lesioni personali.

### 6.2. Spazio per gli interventi

- Dopo l'installazione, si prega di prevedere i seguenti spazi (tutti gli interventi possono essere eseguiti dalla parte anteriore dell'unità).

[Fig. 6.2.1] (P.2)

Modello	a	b	c
PWFY-P100VM-E-BU	400	300	600
PWFY-P100VM-E1-AU	400	300	600
PWFY-P200VM-E1-AU	400	300	600

Ⓐ Spazio per la tubazione (lato destro)

Ⓑ Vista dall'alto

Ⓒ Spazio per interventi (anteriore)

## 7. Installazione della tubazione idraulica

- Prima di un periodo di inutilizzo prolungato, scaricare l'acqua dai tubi e farli asciugare completamente.
- Utilizzare un circuito idraulico chiuso.
- Se l'unità è in modalità rinfrescamento, aggiungere dell'acqua salata all'acqua circolante per prevenire il congelamento.
- Per utilizzare l'acqua salata nel sistema, i DipSW 1-10 devono essere impostati su ON.
- Se l'installazione avviene in un luogo con temperatura ambientale bassa, mantenere l'acqua sempre in circolo. Qualora ciò non fosse possibile, svuotare completamente o riempire la tubazione idraulica con acqua salata.
- Non utilizzare l'acqua utilizzata per l'unità per scopi alimentari.
- Non utilizzare tubi di acciaio per le condutture dell'acqua.

Modello	Ingresso acqua	Uscita acqua
PWFY-P100VM-E-BU	Vite PT 3/4	Vite PT 3/4
PWFY-P100VM-E1-AU	Vite PT 3/4	Vite PT 3/4
PWFY-P200VM-E1-AU *1 Quando sono installati i giunti di espansione forniti.	Vite PT 1 *1	Vite PT 1 *1

### 7.1. Norme di installazione

- Per garantire il corretto fissaggio delle tubazioni su ciascuna unità, impiegare il metodo di rotazione e controrotazione.
- A garanzia della semplicità di manutenzione, ispezione e sostituzione dell'unità, utilizzare giunti, valvole, ecc. debitamente dimensionati per l'ingresso e lo scarico dell'acqua. Accertarsi, inoltre, di montare un filtro sul tubo d'ingresso dell'acqua. (per una corretta manutenzione dell'unità, è necessario applicare un filtro sull'ingresso dell'acqua in circolo.)
- Sulla tubazione idraulica prevedere un adeguato sfogo per l'aria. Successivamente all'ingresso di acqua nella tubazione, accertarsi di smaltire l'aria in eccesso.
- È possibile che, nelle sezioni a bassa pressione dell'unità, si formi della condensa. Per il drenaggio, utilizzare un'apposita tubazione collegata alla valvola di drenaggio posta sulla base dell'unità.
- Per evitare vibrazioni eccessive, montare sulla pompa una valvola di non-ritorno ed un giunto flessibile.
- Nel passaggio attraverso i muri, utilizzare un manicotto per proteggere le tubazioni.
- Per fissare le tubazioni, utilizzare elementi in metallo; procedere al montaggio in modo da ottenere la massima protezione contro eventuali rotture o piegature.
- Non confondere le valvole di ingresso e di scarico.
- Questa unità non è dotata di alcun riscaldatore in grado di impedire il congelamento dell'acqua all'interno dei tubi. Quando il flusso d'acqua viene arrestato in un ambiente con bassa temperatura, eliminare l'acqua dai tubi.
- I fori sagomati non utilizzati devono essere chiusi; inoltre, le aperture relative alle tubazioni di refrigerante, ai tubi dell'acqua, alla linea di alimentazione e ai cavi di trasmissione devono essere riempite con mastice per evitare infiltrazioni di acqua.
- Installare il colatoio con un'inclinazione di 45° o meno, come indicato in [Fig.7.1.2].
- Avvolgere del nastro isolante intorno alla parte della vite per impedire perdite di acqua.
- Applicare il nastro sigillante seguendo la seguente procedura.
  - Avvolgere il giunto con il nastro sigillante nella direzione della filettatura (senso orario), ed evitare che il nastro fuoriesca dal bordo del giunto.
  - Sovrapporre il nastro sigillante coprendone dai due terzi a tre quarti del suo spessore ad ogni avvolgimento. Premere il nastro con le dita in modo da fissarlo saldamente alla filettatura.
  - Non applicare il nastro alle ultime 1,5 o 2 linee di filettatura.

- Installare il colatoio fornito in corrispondenza dell'ingresso dell'acqua.
- Durante l'installazione dei tubi o del colatoio, utilizzare una chiave per mantenere in sede il tubo sul lato dell'unità. Serrare le viti a 50 N·m.
- I tubi dell'acqua possono raggiungere temperature elevate, in base alla temperatura preimpostata. Coprire i tubi dell'acqua con materiale isolante per evitare scottature.
- Nel modello PWFY-P200VM-E1-AU, installare il giunto di espansione (accessorio) in corrispondenza dell'ingresso, dopo aver installato il colatoio, e in corrispondenza dello scarico.

#### Esempio di installazione dell'unità (con tubazione idraulica)

[Fig. 7.1.1] (P.2)

Ⓐ Valvola chiusa

Ⓒ Scarico acqua

Ⓔ Filtro a Y

Ⓒ Giunto di espansione

Ⓑ Ingresso acqua

Ⓓ Tubazione refrigerante

Ⓕ Tubo drenaggio

### 7.2. Installazione dell'isolamento

La temperatura della superficie del tubo dell'acqua può essere molto elevata, in base alla temperatura impostata. Isolare il tubo per evitare scottature. Quando si utilizza PWFY-P100/P200VM-E1-AU con acqua fredda, isolare il tubo dell'acqua per evitare il formarsi di condensa.

Avvolgere materiale isolante intorno ai tubi dell'acqua come indicato in [Fig. 7.2.1].

- Tubazioni esterne.
- Tubazioni interne in regioni a clima freddo, che può causarne il congelamento.
- Condensa sulle tubazioni dovuta all'aria proveniente dall'esterno.
- Tubazioni di drenaggio.

[Fig. 7.2.1] (P.2)

Ⓐ Materiale per isolamento termico (accessorio)

Ⓑ Iniettare materiale sigillante

### 7.3. Trattamento delle acque e controllo della qualità

Per preservare la qualità dell'acqua, utilizzare il circuito idraulico di tipo chiuso. In caso di scarsa qualità delle acque in circolo, è possibile che si formino incrostazioni sullo scambiatore di calore per l'acqua. Ciò porta ad una riduzione dell'efficacia nello scambio termico e a possibile presenza di ruggine nello scambiatore. Al momento dell'installazione dell'impianto di circolazione, si prega di prestare particolare attenzione al trattamento delle acque ed al controllo della qualità.

- Eliminazione di corpi estranei o impurità dalle tubazioni. Nel corso dell'installazione, prestare attenzione ad evitare l'ingresso di corpi estranei, quali frammenti di saldatura, particelle di sigillante o ruggine.

- Trattamento per la qualità dell'acqua

① Secondo la qualità dell'acqua, la tubazione in rame dello scambiatore di calore può essere soggetta a corrosione. Si consiglia di procedere al trattamento su basi regolari.

Gli impianti ad acqua con serbatoi presentano una particolare tendenza alla corrosione.

Se si utilizza un serbatoio per la conservazione del calore del tipo aperto, installare uno scambiatore di calore acqua-acqua e usare un circuito chiuso sulla parte laterale del condizionatore. Se è installato un serbatoio per la fornitura dell'acqua, mantenere il contatto con l'aria ad un livello minimo e accertarsi che il livello di ossigeno disciolto nell'acqua non sia superiore a 1mg/l.

② Standard di qualità dell'acqua

Voci		Impianto idraulico con temperatura media più bassa Temp. acqua ≤ 60 °C		Impianto idraulico con temperatura media più alta Temp. acqua > 60 °C		Tendenza	
		Acqua ricircolante	Acqua di reintegro	Acqua ricircolante	Acqua di reintegro	Corrosiva	Calcificante
Voci standard	pH (25 °C)	7,0 ~ 8,0	7,0 ~ 8,0	7,0 ~ 8,0	7,0 ~ 8,0	○	○
	Conducibilità elettrica (mS/m) (25 °C) (μs/cm) (25 °C)	30 o inferiore [300 o inferiore]	30 o inferiore [300 o inferiore]	30 o inferiore [300 o inferiore]	30 o inferiore [300 o inferiore]	○	○
	Ione cloruro (mg Cl/ℓ)	50 o inferiore	50 o inferiore	30 o inferiore	30 o inferiore	○	
	Ione solfato (mg SO <sub>4</sub> <sup>2-</sup> /ℓ)	50 o inferiore	50 o inferiore	30 o inferiore	30 o inferiore	○	
	Consumo di acido (pH4.8) (mg CaCO <sub>3</sub> /ℓ)	50 o inferiore	50 o inferiore	50 o inferiore	50 o inferiore		○
	Durezza totale (mg CaCO <sub>3</sub> /ℓ)	70 o inferiore	70 o inferiore	70 o inferiore	70 o inferiore		○
	Durezza calcio (mg CaCO <sub>3</sub> /ℓ)	50 o inferiore	50 o inferiore	50 o inferiore	50 o inferiore		○
Voci di riferimento	Silice (mg SiO <sub>2</sub> /ℓ)	30 o inferiore	30 o inferiore	30 o inferiore	30 o inferiore		○
	Ferro (mg Fe/ℓ)	1,0 o inferiore	0,3 o inferiore	1,0 o inferiore	0,3 o inferiore	○	○
	Rame (mg Cu/ℓ)	1,0 o inferiore	1,0 o inferiore	1,0 o inferiore	1,0 o inferiore	○	
	Ione solfuro (mg S <sup>2-</sup> /ℓ)	non rivelabile	non rivelabile	non rivelabile	non rivelabile	○	
	Ione ammonio (mg NH <sub>4</sub> <sup>+</sup> /ℓ)	0,3 o inferiore	0,1 o inferiore	0,1 o inferiore	0,1 o inferiore	○	
	Cloro residuo (mg Cl/ℓ)	0,25 o inferiore	0,3 o inferiore	0,1 o inferiore	0,3 o inferiore	○	
	Diossido di carbonio libero (mg CO <sub>2</sub> /ℓ)	0,4 o inferiore	4,0 o inferiore	0,4 o inferiore	4,0 o inferiore	○	
	Indice di stabilità di Ryznar	-	-	-	-	○	○

Riferimento : Guideline of Water Quality for Refrigeration and Air Conditioning Equipment. (JRA GL02E-1994)

- ③ Prima di impiegare ritrovati antiruggine per la qualità dell'acqua, si prega di richiedere informazioni sui relativi metodi e calcoli presso uno specialista.
- ④ Nella sostituzione di un apparecchio di condizionamento (anche in caso di sostituzione del solo scambiatore di calore), svolgere dapprima un'analisi sulla qualità dell'acqua e verificare le possibilità di corrosione.  
Negli impianti ad acqua fredda può prodursi ruggine anche senza alcun segno premonitore.  
In caso di peggioramento nella qualità dell'acqua, si prega di provvedere in maniera adeguata prima di sostituire l'unità.

## 7.4. Asservimento della pompa

Per effettuare la prova di funzionamento prima che sia completata la sincronizzazione del circuito della pompa, chiudere la morsetteria TB142A (IN1) in corto circuito, quindi effettuare la prova di funzionamento.

### <PWFY-P100VM-E-BU>

L'unità può danneggiarsi se messa in funzione senza acqua in circolo nei tubi. Accertarsi dell'asservimento della pompa dell'acqua al momento dell'attivazione dell'unità. A tale scopo, utilizzare gli appositi terminali TB142A (IN1) sull'unità.

[Fig. 7.4.1] (P.2)

### <PWFY-P100/200VM-E1-AU>

#### <Asservimento della pompa>

Nel sistema, compreso il modello PWFY-P100/P200VM-E1-AU, l'acqua circolante può congelarsi e causare malfunzionamento dell'unità. Eseguire il lavoro elettrico come mostrato con la [Fig. 7.4.2] per prevenire il congelamento dell'acqua.

#### <Interruttore di flusso>

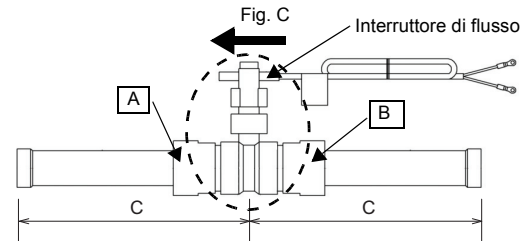
Durante l'installazione dell'unità, assicurarsi di installare l'interruttore di flusso sul lato uscita acqua dell'unità e collegare il cavo a IN1 di TB142A sull'unità.

**Se l'interruttore di flusso non è installato, l'unità emetterà un segnale di errore (2100: errore di interblocco) e non funzionerà.**

\* Viene fornito un cavo di cortocircuito, ma si utilizza esclusivamente per la prova di funzionamento.

#### <Procedure di installazione>

- 1 Rimuovere le tubazioni collegate all'interruttore di flusso.  
Nota: Alla consegna, i tubi dell'unità sono allentati.
- 2 Avvolgere la filettatura delle estremità delle tubazioni con nastro sigillante, evitando di applicarlo alle ultime 1,5 o 2 linee di filettatura ed evitare che il nastro fuoriesca dal bordo. Avvolgere due o tre volte il nastro sigillante nella direzione della filettatura (in senso orario). Sovrapporre il nastro sigillante coprendone dai due terzi a tre quarti del suo spessore ad ogni avvolgimento. Premere il nastro con le dita in modo da fissarlo saldamente alla filettatura.  
Quindi, collegare i tubi all'interruttore di flusso utilizzando una chiave per mantenere unite le parti A e B.  
La coppia di serraggio massima è di 60 N•m (611 kgf•cm).
- 3 Collegare l'interruttore di flusso e le tubazioni all'uscita dell'acqua dell'unità in posizione orizzontale. installare il tubo con un'inclinazione di 45 gradi o meno.  
Controllare la direzione dell'interruttore di flusso come mostrato in figura C.
- 4 Collegare l'interruttore di flusso a IN1 di TB142A.



	C
PWFY-P100VM-E1-AU	175 mm
PWFY-P200VM-E1-AU	205 mm

Impostare il DipSW come mostrato nella tabella seguente.

DipSW3-6	Contatto di uscita esterna
ON	Funziona quando il Termostato è su ON
OFF	Funziona quando il Funzionamento è su ON (Telecomando su ON)

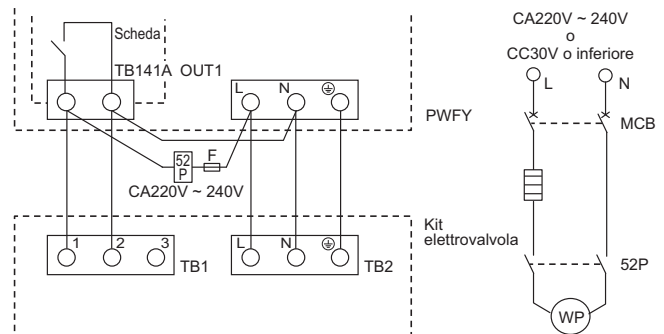
Accertarsi di attivare l'alimentazione elettrica della pompa, poiché il controllo non funziona se l'alimentazione elettrica della pompa è disattivata.

### <PAC-SV01PW-E>

Collegare i cavi come mostrato in [Fig. 7.4.3] durante l'operazione di asservimento della pompa con altre unità E il collegamento del kit elettrovalvola (PAC-SV01PW-E) ad un sistema che comprende unità esterne delle serie Y e HP (ZUBADAN), unità interne e PWFY-P100/P200VM-E1-AU.

Impostare il Dip SW3-6 su ON (Attivo). Assicurarsi che la versione del software sia 1.18 o successiva.

[Fig. 7.4.3]



F: Fusibile  
52P: Interruttore magnetotermico della pompa dell'acqua

MCB: Interruttore di circuito  
WP: Pompa dell'acqua

## 8. Specifiche delle tubazioni del refrigerante e di drenaggio

Allo scopo di evitare la caduta di gocce di condensa, effettuare un corretto lavoro di isolamento e contro il trasudamento dei tubi del refrigerante e di drenaggio. Se vengono usati tubi del refrigerante disponibili in commercio, accertarsi di avvolgere del materiale isolante acquistato localmente (resistente ad una temperatura superiore a 100 °C e avente lo spessore indicato qui sotto) attorno ai tubi del liquido e del gas.

① Selezionare lo spessore del materiale isolante in funzione del diametro dei tubi.

Modello	PWFY-P100VM-E-BU	PWFY-P100VM-E-AU	PWFY-P200VM-E1-AU
Gas	ø15,88	ø15,88	ø19,05
Fluidi	ø9,52	ø9,52	ø9,52
Scarico	ø32		
Spessore del materiale isolante	Più di 10 mm		

② Qualora l'unità venga utilizzata al piano più elevato di un edificio e in condizioni di temperatura e umidità elevate, è necessario utilizzare tubi di diametro superiore e materiale isolante di spessore più elevato rispetto ai valori indicati nella tabella di cui sopra.

Accertarsi inoltre di avvolgere del materiale isolante disponibile in commercio (con gravità specifica di 0,03 per schiuma di polietilene e spessore indicato qui sotto) su tutti i tubi che si trovano nella stanza.

③ Se il cliente fornisce delle specifiche particolari alle sue applicazioni, occorre seguirle.

### 8.1. Tubo refrigerante, tubo di scarico e porta di riempimento

[Fig. 8.1.1] (P.3)

- Ⓐ Tubazione refrigerante (gas)
  - Ⓑ Tubazione refrigerante (fluido)
  - Ⓒ Ingresso acqua
  - Ⓓ Scarico acqua
  - Ⓔ Uscita scarico
- \*1: PWFY-P100/200VM-E1-AU

## 9. Collegamento delle tubazioni del refrigerante e di drenaggio

### 9.1. Collegamento della tubazione del refrigerante

Il collegamento delle tubazioni deve essere effettuato conformemente ai manuali di installazione della sezione esterna e del controllore BC (per i modelli delle serie R2 con raffreddamento e riscaldamento simultanei).

- I modelli delle serie R2 sono adatti ad operare in un sistema in cui il tubo del refrigerante proveniente da una sezione esterna è collegato al controllore BC e si dirama poi per collegare fra loro le sezioni interne.
- Per le specifiche relative alla lunghezza della tubazione ad al massimo dislivello consentito, fare riferimento al manuale della sezione esterna.
- Il metodo di collegamento della tubazione è quello a cartella.

#### ⚠ Cautela:

- **Installare la tubazione del refrigerante della sezione interna conformemente a quanto segue.**

1. Tagliare la punta della tubazione della sezione interna, eliminare il gas e quindi rimuovere il coperchio saldato.

[Fig. 9.1.1] (P.3)

- Ⓐ Tagliare in questo punto
- Ⓑ Rimuovere il coperchio saldato

2. Estrarre l'isolamento termico che copre le tubazioni del locale, saldarvi per brasatura la tubazione dell'unità e sostituire l'isolante nella posizione originale. Avvolgere del nastro isolante attorno alla tubazione.

#### Nota:

- **Fare molta attenzione durante l'avvolgimento del nastro attorno alla tubazione, in quanto è possibile che questa operazione provochi la formazione di condensa invece che impedirla.**

\* Prima della brasatura del tubo del refrigerante, **avvolgere sempre la tubazione sul corpo principale e la tubazione di isolamento termico con panni umidi, per evitare restringimenti dovuti al calore e bruciature della tubazione di isolamento termico.** Prestare attenzione a che la fiamma non entri in contatto con il corpo principale.

[Fig. 9.1.2] (P.3)

- Ⓐ Isolamento termico
- Ⓑ Estrazione
- Ⓒ Avvolgere con panno umido
- Ⓓ Ritorno alla posizione originale
- Ⓔ Accertarsi di non lasciare spazi in questo punto
- Ⓕ Avvolgere con nastro isolante

### Precauzioni da adottare con la tubazione del refrigerante

- ▶ **Accertarsi di usare un metodo di brasatura non ossidante, per evitare l'ingresso nella tubazione di materiale estraneo o umidità.**
- ▶ **Stendere olio per macchina refrigerante sulla superficie della connessione a cartella e stringere saldamente usando due chiavi.**
- ▶ **Prevedere un supporto di metallo della tubazione refrigerante in modo che l'uscita della tubazione della sezione interna non debba sopportare alcun carico. Posizionare detto supporto ad almeno 50 cm dalla connessione a cartella della sezione interna.**

#### ⚠ Avvertenza:

- **Non utilizzare refrigeranti diversi dal tipo indicato nei manuali forniti con l'unità e sulla placca di identificazione.**

- In caso contrario l'unità o le tubazioni potrebbero rompersi o esplodere, o potrebbero verificarsi incendi durante l'utilizzo, le operazioni di riparazione o di smaltimento dell'unità.

- Potrebbe inoltre costituire una violazione delle normative vigenti.
- MITSUBISHI ELECTRIC CORPORATION non sarà ritenuta responsabile per malfunzionamenti o incidenti risultanti dall'utilizzo di un tipo errato di refrigerante.

- **In caso di installazione o di spostamento del condizionatore in un altro luogo, non utilizzare un refrigerante diverso da quello specificato per l'unità (R407C o R22).**

- Qualora venisse mischiato un refrigerante diverso a quello originale, aria, ecc., vi è il rischio di un cattivo funzionamento del circuito, con conseguenti danni all'unità.

#### ⚠ Cautela:

- **Utilizzare tubazioni del refrigerante fatte in rame fosforoso disossidato C1220 (Cu-DHP), come specificato in JIS H3300 "Tubazioni e tubi senza saldature in rame e leghe di rame". Oltre a ciò, accertarsi che le superfici interne dei tubi siano perfettamente pulite e prive di tracce di zolfo, ossidi, polvere/sporcizia, trucioli, oli, umidità e qualsiasi altro agente contaminante.**

- **Non usare l'esistente tubazione del refrigerante.**  
- L'elevata quantità di cloro presente nel refrigerante convenzionale e nell'olio refrigerante causerà un deterioramento del nuovo refrigerante.

- **Conservare la tubazione da usare per l'installazione all'interno e sigillare entrambe le estremità della tubazione sino al momento della saldatura.**

- In caso di ingresso di polvere, sporcizia o acqua nel circuito refrigerante, vi è il rischio di un deterioramento dell'olio e di un cattivo funzionamento del compressore.

### 9.2. Collegamento della tubazione di drenaggio

1. Accertarsi che la tubazione di drenaggio sia inclinata verso il basso (gradiente di almeno 1/100) rispetto alla sezione esterna (lato di drenaggio), ed evitare qualsiasi sifone o rialzo in quella direzione. ①

2. Mantenere la lunghezza orizzontale della tubazione di drenaggio sotto i 20 m (non incluso il dislivello). Per le tubazioni di drenaggio particolarmente lunghe, prevedere un supporto di metallo disposto in modo tale da evitare le ondulazioni della tubazione. Non installare mai un tubo di sfiato per non alterare il corretto funzionamento del drenaggio.

3. Per la tubazione di drenaggio, usare tubi in PVC rigido VP-25 (diametro esterno 32 mm).

4. Accertarsi che i tubi di raccolta si trovino 10 cm più in basso rispetto all'apertura di drenaggio del corpo dell'unità, come indicato in ②.

5. Non installare alcun intercettatore di odori sull'apertura di scarico del drenaggio.

6. Posizionare l'uscita della tubazione di drenaggio in modo da evitare la generazione di cattivi odori.

7. Evitare di collegare direttamente la tubazione di drenaggio alle fogne per non generare gas ionici.

[Fig. 9.2.1] (P.3)

- Ⓐ Pendenza verso il basso 1/100 o più
- Ⓑ Tubo di scarico
- Ⓒ Unità
- Ⓓ Tubazione di raccolta
- Ⓔ Aumentare questa lunghezza a circa 10 cm

### 9.3. Esecuzione dei collegamenti elettrici

Accertarsi che il codice modello contenuto nelle istruzioni d'uso, sul coperchio della scatola di comando, corrisponda a quello riportato sulla targhetta di identificazione.

Fase 1

Svitare le viti che fissano il coperchio della morsettiera.

[Fig. 9.3.1] (P.3)

- Ⓐ Viti
- Ⓑ Pannello anteriore
- Ⓒ Scatola di comando

**Nota:**

Prima di rimontare il coperchio, accertarsi che il cablaggio non rimanga serrato tra questo e la morsettiera; ciò potrebbe tranciarlo.

#### ⚠ Cautela:

Disporre il cablaggio in modo che non rimanga teso. Tale condizione può causare rotture o surriscaldamento e bruciatura dei cavi.

- Fissare il cablaggio della linea di ingresso/uscita esterna dell'alimentazione alla scatola dei comandi usando la speciale boccola per forza di tensione, per impedire scosse elettriche. (collegamento PG o simili). Collegare il cablaggio di trasmissione alla relativa morsettiera, aprendo il foro predisposto sulla scatola di comando e utilizzando una boccola normale.

- Al termine dei collegamenti, accertarsi ancora che tra essi non vi siano allentamenti; quindi fissare il coperchio alla scatola di comando nell'ordine inverso rispetto a quello di estrazione.

[Fig. 9.3.2] (P.3)

- Ⓐ Per evitare trazioni sulla sezione di cavo collegata alla morsettiera di alimentazione, utilizzare la boccola tampone con collegamento PG o simili.
- Ⓑ Cavo di ingresso del segnale esterno
- Ⓒ Cavo di uscita del segnale esterno
- Ⓓ Cablaggio alimentazione
- Ⓔ Forza di trazione
- Ⓕ Utilizzare boccola normale
- Ⓖ Cavo di trasmissione e cavo del comando a distanza MA

#### ⚠ Cautela:

Procedere al cablaggio dell'alimentazione in modo che non vi sia presenza di tensione; in caso contrario, si producono interruzioni, surriscaldamenti o incendi.

## 10. Cablaggi elettrici

### Precauzioni da adottare per i cablaggi elettrici

#### ⚠ Avvertenza:

I collegamenti elettrici devono essere eseguiti da personale qualificato nel pieno rispetto degli "Standard normativi sulle installazioni elettriche", oltre che delle istruzioni contenute nel presente manuale. Occorre inoltre usare circuiti speciali. Qualora il circuito non possieda la capacità sufficiente o sia stato installato in modo non corretto, può esservi un rischio di cortocircuito o di incendio.

1. Accertarsi di alimentare l'unità con lo speciale circuito.
2. Accertarsi di installare un interruttore del circuito per dispersione verso terra sul circuito di alimentazione.
3. Installare l'unità in modo da impedire che uno qualsiasi dei cavi del circuito di comando (comando a distanza, cavi di trasmissione o linea di ingresso/uscita esterna) entri in contatto diretto con il cavo di alimentazione situato al di fuori dell'unità.
4. Accertarsi che le connessioni di tutti i cavi non siano allentate.
5. È possibile che alcuni cavi (di alimentazione, del comando a distanza, di trasmissione o della linea di ingresso/uscita esterna) sopra il soffitto siano morsi dai topi. Proteggere il più possibile i cavi inserendoli in tubi metallici.

#### 1. Cavi di trasmissione

PWFY-P100VM-E-BU

	Cavi di trasmissione	Cavi del comando a distanza MA	Ingresso esterno	Uscita esterna
Tipo di cavo	Cavo schermato (a 2 fili) CVVS, CPEVS o MVVS	Cavo a 2 fili rivestito (schermato) CVVS	Cavo a più fili rivestito (schermato) CVVS o MVVS	Cavo a più fili rivestito (schermato) CVVS o MVVS
Sezione dei cavi	Più di 1,25 mm <sup>2</sup>	0,3 ~ 1,25 mm <sup>2</sup> (0,75 ~ 1,25 mm <sup>2</sup> )*1	0,3 ~ 0,5 mm <sup>2</sup>	0,3 ~ 1,25 mm <sup>2</sup>
Note	-	Lungh. max: 200 m	Lungh. max: 100 m	Tensione nominale: L1-N: 220 ~ 240 V Carico nominale: 0,6 A

PWFY-P100/200VM-E1-AU

	Cavi di trasmissione	Cavi del comando a distanza MA	Ingresso esterno	Uscita esterna
Tipo di cavo	Cavo schermato (a 2 fili) CVVS, CPEVS o MVVS	Cavo a 2 fili rivestito (schermato) CVVS	Cavo a più fili rivestito (schermato) CVVS o MVVS	Cavo a più fili rivestito (schermato) CVVS o MVVS
Sezione dei cavi	Più di 1,25 mm <sup>2</sup>	0,3 ~ 1,25 mm <sup>2</sup> (0,75 ~ 1,25 mm <sup>2</sup> )*1	0,3 ~ 0,5 mm <sup>2</sup>	0,3 ~ 1,25 mm <sup>2</sup>
Note	-	Lungh. max: 200 m	Lungh. max: 100 m	Tensione nominale: L1-N: 220 ~ 240 V Carico nominale: 0,6 A

- \*1 Collegato con comando a distanza semplice. CVVS, MVVS : cavo schermato in PVC isolato in PVC  
 CVV, MVV : cavo schermato in PVC isolato in PVC  
 CPEVS : cavo per comunicazioni schermato in PVC isolato in PE

### 10.1. Cavi di alimentazione

- I cavi di alimentazione delle apparecchiature non devono essere più leggeri del modello 245 IEC 57 o 227 IEC 57.
- Un interruttore con la separazione per contatto di almeno 3 mm in ciascun polo deve essere fornito con l'installazione del condizionatore d'aria.

## CIRCUITI ELETTRICI

### 1. Caratteristiche elettriche

Modello	Alimentazione				Compressore		RLA (A)
	Hz	Volt	Gamma di tensione	MCA (A)	Uscita (kW)	SC (A)	Riscaldamento
PWFY-P100VM-E-BU	50/60	220-230-240 V	Max. 264 V Min. 198 V	15,71	1,0	1,25	11,63-11,12-10,66

Modello	Alimentazione				RLA (A)	
	Hz	Voit	Gamma di tensione	MCA (A)	Raffreddamento	Riscaldamento
PWFY-P100VM-E1-AU PWFY-P200VM-E1-AU	50/60	220-230-240 V	Max. 264 V Min. 198 V	0,085	0,068-0,065-0,063	

## 2. Specifiche cavo di alimentazione

Modello	Spessore minimo cavo (mm <sup>2</sup> )			Interruttore per dispersione di corrente	Commutatore locale (A)		Interruttore per cablaggio (NFB) (A)
	Cavo principale	diramazione	Terra		capacità	fusibile	
PWFY-P100VM-E-BU	2,5	-	2,5	30 A 30 mA 0,1 sec o meno	25	25	30

Modello	Corrente di esercizio totale	Spessore minimo cavo (mm <sup>2</sup> )			Interruttore per dispersione di corrente	Commutatore locale (A)		Interruttore per cablaggio (NFB) (A)	
		16 A o meno	25 A o meno	32 A o meno		capacità	fusibile		
PWFY-P100VM-E1-AU		16 A o meno	1,5	1,5	1,5	20 A 30 mA 0,1 sec o meno	16	16	20
PWFY-P200VM-E1-AU		25 A o meno	2,5	2,5	2,5	30 A 30 mA 0,1 sec o meno	25	25	30
		32 A o meno	4,0	4,0	4,0	40 A 30 mA 0,1 sec o meno	32	32	40

### [Fig. 10.1.1] (P.4)

- Ⓐ Interruttore per dispersione di corrente
- Ⓑ Commutatore locale o interruttori per cablaggio
- Ⓒ PWFY-P100VM-E-BU
- Ⓓ PWFY-P100/200VM-E1-AU
- Ⓔ Scatola di derivazione

### ⚠ Cautela:

Utilizzare esclusivamente interruttori e fusibili di capacità corretta. L'utilizzo di fusibili o di cavi o fili di rame con una capacità troppo elevata, può creare un rischio di cattivo funzionamento del sistema o di incendio.

## 10.2. Collegamento del comando a distanza e dei cavi di trasmissione delle sezioni interne ed esterne

(Il comando a distanza è disponibile in opzione).

- Collegare la sezione TB5 e la sezione esterna TB3. (2 fili non polarizzati, schermati).

La sezione marcata "S" sulla sezione TB5 è una connessione protetta del cavo. Per le specifiche dei cavi di collegamento, fare riferimento al manuale d'installazione della sezione esterna.

- Installare il comando a distanza seguendo le istruzioni riprese nel manuale fornito con l'unità.
- Collegare i terminali "1" e "2" della sezione TB15 ad un'unità del comando a distanza MA, usando 2 fili non polarizzati.

### [Fig. 10.2.1] (P.4) Unità del comando a distanza MA

- DC 10 a 13 V tra 1 e 2 (Unità del comando a distanza MA)

### [Fig. 10.2.2] (P.4) Unità del comando a distanza MA

- Il comando a distanza MA non può essere utilizzato contemporaneamente o in modo intercambiabile.

- Ⓐ Non polarizzato
- Ⓑ TB15 (Cavi del comando a distanza MA)
- Ⓒ Comando a distanza MA
- Ⓓ TB5 (Cavi di trasmissione)
- Ⓔ TB2 (Cavi di alimentazione)

### Nota:

Prima di rimontare il coperchio, accertarsi che il cablaggio non rimanga serrato tra questo e la morsettiera; ciò potrebbe tranciarlo.

### ⚠ Cautela:

- Utilizzare cavi con isolamento supplementare.
- L'ingresso per i terminali TB142A, TB142B e TB142C non deve trasportare tensione.
- I cavi per le apparecchiature collegate a ingresso/uscita esterni devono avere un isolamento supplementare.
- Utilizzare un singolo cavo a più fili per l'ingresso/uscita esterni al fine di consentire il collegamento alla vite PG.

### ⚠ Cautela:

Procedere al cablaggio dell'alimentazione in modo che non vi sia presenza di tensione; in caso contrario, si producono interruzioni, surriscaldamenti o incendi.

## 10.3. Funzione di ingresso/uscita esterni

### Ingresso temperatura preimpostata (ingresso esterno analogico: 4mA-20mA)

L'ingresso esterno è immesso attraverso CN421, CN422 sulla scheda del circuito. (Fig. 10.3.1)

Utilizzare il connettore in dotazione.

Se non vengono effettuate impostazioni della temperatura tramite il comando a distanza MA, la temperatura cambierà con la corrente.

Far riferimento al manuale di istruzioni allegato al comando a distanza MA per istruzioni sull'esecuzione delle impostazioni.

4 mA → 10 °C      20 mA → 70 °C

### Nota:

Utilizzare un dispositivo per il segnale esterno 4-20 mA con isolamento.

### Terminale di uscita esterno

Il terminale di uscita esterno (far riferimento alla Fig. 10.3.2) non ha effetto quando il circuito è aperto.

Far riferimento alla tabella 10.3.2 per informazioni sui singoli contatti.

La corrente e la tensione del circuito che deve essere collegato al terminale di uscita esterna (TB141A OUT1) devono soddisfare le seguenti condizioni.

		Corrente nominale contatto
Tensione nominale contatto	AC250V	1 A o inferiore
	AC125V	3 A o inferiore
	DC30V	3 A o inferiore

Tabella 10.3.2

OUT1	Funzionamento ON/OFF
OUT2	Sbrinamento
OUT3	Compressore
OUT4	Segnale di errore

### Terminale di ingresso esterno

La lunghezza dei cavi non deve superare i 100 m.

Il terminale di ingresso esterno (far riferimento alla Fig. 10.3.3) non ha effetto quando il circuito è aperto.

Far riferimento alle tabelle da 10.3.3 a 10.3.5 per informazioni sui singoli contatti.

Quando il circuito è in corto solo la funzione di "interblocco pompa" non ha effetto. Collegare un circuito di relè al terminale di uscita esterna come illustrato nella Fig. 7.4.1.

Le specifiche del circuito di relè da collegare devono soddisfare le seguenti condizioni.

Tensione nominale del contatto  $\geq$  DC15V

Corrente nominale del contatto  $\geq$  0,1A

Carico applicabile minimo  $\leq$  1mA su DC

Tabella 10.3.3

### <PWFY-P100VM-E-BU>

TB142A

IN1	Interblocco pompa
-----	-------------------

### <PWFY-P100/200VM-E1-AU>

TB142A

IN1	Interruttore di flusso
-----	------------------------

Tabella 10.3.4

TB142B

IN3	Richiesta connessione
IN4	Funzionamento ON/OFF

Tabella 10.3.5

TB142C

COM+	Comune
IN5*1	Acqua calda/riscaldamento
IN6*2	Riscaldamento ECO
IN7*3	Antigelo

- \*1 PWFY-P100VM-E-BU      Acqua calda
- PWFY-P100/200VM-E1-AU      Riscaldamento

\*2 Efficace se SW 4-3 è impostato su ON.

\*3 Efficace se SW 4-4 è impostato su ON.

\*4 Quando vengono impostati i modi Riscaldamento ECO o Antigelo, ripristinare tutte le alimentazioni elettriche di tutte le unità (esterne/interne).

## 10.4. Impostazione degli indirizzi

(Accertarsi di operare con l'alimentazione principale disattivata).

### [Fig. 10.4.1] (P.4)

<Pannello degli indirizzi>

- È possibile impostare i commutatori a rotazione in due modi: impostazione degli indirizzi da 1 – 9 e sopra 10, e impostazione dei numeri delle diramazioni.

#### ① Impostazione degli indirizzi

Esempio: se l'indirizzo è "3", SWU2 (sopra 10) rimane su "0" e SWU1 (da 1 – 9) è impostato su "3".

- ② Come impostare i numeri delle diramazioni SWU3 (solo i modelli delle serie R2)

Far corrispondere il tubo del refrigerante dell'unità interna con il numero del raccordo dell'estremità del comando BC. Per i modelli diversi da R2 lasciare su "0".

- Tutti i commutatori a rotazione sono impostati su "0" al momento della spedizione dalla fabbrica. È possibile usare questi commutatori per impostare a piacimento gli indirizzi delle unità e i numeri delle diramazioni.
- La determinazione degli indirizzi dell'unità interna varia a seconda del sistema presso il sito. Impostarli facendo riferimento al Data Book.

## 11. Targhetta con le informazioni di capacità

### ⚠ Avvertenza:

**Non utilizzare refrigeranti diversi dal tipo indicato nei manuali forniti con l'unità e sulla placca di identificazione.**

- In caso contrario l'unità o le tubazioni potrebbero rompersi o esplodere, o potrebbero verificarsi incendi durante l'utilizzo, le operazioni di riparazione o di smaltimento dell'unità.
- Potrebbe inoltre costituire una violazione delle normative vigenti.
- MITSUBISHI ELECTRIC CORPORATION non sarà ritenuta responsabile per malfunzionamenti o incidenti risultanti dall'utilizzo di un tipo errato di refrigerante.

Modello		PWFY-P100VM-E-BU	PWFY-P100VM-E1-AU	PWFY-P200VM-E1-AU
Refrigerante (kg)	R134a	1,1	–	–
	R410A	4,15	4,15	4,15
Pressione consentita (MPa)	R134a	3,60	–	–
	acqua	1,0	1,0	1,0
Peso netto (kg)		60	35	38



# Inhoud

1. Veiligheidsvoorschriften.....	49	7.1. Voorzorgen bij de installatie.....	52
1.1. Voordat u gaat installeren en de elektrische aansluitingen aanbrengt.....	49	7.2. Installatie van de isolatie.....	52
1.2. Voorzorgen voor apparaten die gebruik maken van koelstof R410A.....	50	7.3. Watergebruik en controle op waterkwaliteit.....	53
1.3. Voordat u het apparaat installeert.....	50	7.4. Koppeling van de pomp.....	53
1.4. Voordat u het apparaat installeert (verplaatst) - elektrische bedrading.....	50	8. Specificaties voor koelleidingen en afvoerleidingen.....	54
1.5. Voordat u het apparaat laat proefdraaien.....	50	8.1. Koelbuis, afvoerbuis en vulopening.....	54
2. Productinformatie.....	51	9. De koel- en afvoerleidingen aansluiten.....	54
3. Specificaties.....	51	9.1. Koelleidingwerk.....	54
4. Lijst met bijgeleverde onderdelen.....	51	9.2. Afvoerleidingwerk.....	55
5. Methode van optakelen.....	52	9.3. De elektrische aansluitingen maken.....	55
6. Installatie van het apparaat en ruimte voor onderhoud.....	52	10. Elektrische bedrading.....	55
6.1. Installatie.....	52	10.1. Bedrading voedingskabel.....	56
6.2. Ruimte voor onderhoud.....	52	10.2. De afstandsbediening en de transmissiekabels voor het binnen- en buitenapparaat aansluiten.....	56
7. Installatie van de waterleiding.....	52	10.3. Externe invoer/uitvoer functie.....	56
		10.4. De aansluitadressen instellen.....	57
		11. Informatie op de kenplaat.....	57

## 1. Veiligheidsvoorschriften

### 1.1. Voordat u gaat installeren en de elektrische aansluitingen aanbrengt

- ▶ Lees alle "Veiligheidsvoorschriften" voordat u het apparaat installeert.
- ▶ In de "Veiligheidsvoorschriften" staan belangrijke instructies met betrekking tot de veiligheid. Volg ze zorgvuldig op.

#### Symbolen die in de tekst worden gebruikt

##### ⚠ Waarschuwing:

Beschrijft maatregelen die genomen moeten worden om het risico van verwonding of dood van de gebruiker te voorkomen.

##### ⚠ Voorzichtig:

Beschrijft maatregelen die genomen moeten worden om schade aan het apparaat te voorkomen.

#### Symbolen die in de afbeeldingen worden gebruikt

- ⊘ : Geeft een handeling aan die u beslist niet moet uitvoeren.
- ⚠ : Geeft aan dat er belangrijke instructies moeten worden opgevolgd.
- ⚡ : Geeft een onderdeel aan dat moet worden geaard.
- ⚠ : Geeft aan dat er een risico van elektrische schokken bestaat. (Dit symbool staat op de sticker op het apparaat.) <Kleur: geel>
- ⚠ : Wees voorzichtig op hete oppervlakken.

##### ⚠ Waarschuwing:

Lees de stickers die op het apparaat zijn aangebracht aandachtig.

##### ⚠ Waarschuwing:

- Als de stroomkabel beschadigd is, moet deze worden vervangen door de producent, diens ondershoudsinstallateur of een gelijkwaardig gekwalificeerde technicus om gevaar en problemen te voorkomen.
- Dit toestel is niet bedoeld voor gebruik door personen (inclusief kinderen) met verminderde lichamelijke, sensorische of geestelijke vermogens of onvoldoende ervaring en kennis, tenzij zij afdoende gecontroleerd worden of geïnformeerd zijn over het gebruik van het toestel door degene die voor hun veiligheid verantwoordelijk is.
- Gebruik uitsluitend het type koelmiddel dat in de meegeleverde handleidingen en op het typeplaatje wordt genoemd.
  - Als u een ander type gebruikt, kunnen het toestel of leidingen barsten en bestaat er gevaar voor ontploffing of brand tijdens gebruik, reparatie en verwijdering van het toestel.
  - Ook overtreedt u mogelijk toepasselijke wetgeving als u dit voorschrift niet volgt.
  - MITSUBISHI ELECTRIC CORPORATION kan niet aansprakelijkheid worden gesteld voor storingen en ongevallen die het gevolg zijn van gebruik van een verkeerd type koelmiddel.
- Gebruik geen stalen buizen als waterleiding.
  - Koperen buizen worden aanbevolen.
- Het watercircuit dient een gesloten circuit te zijn.
- Vraag de dealer of een erkende installateur om de airconditioner te installeren.
  - Onjuiste installatie door de gebruiker kan resulteren in lekkage, een elektrische schok of brand.
- Installeer het apparaat op een plaats die het gewicht ervan kan dragen.
  - Onvoldoende draagkracht kan ertoe leiden dat het apparaat valt, hetgeen lichamelijk letsel kan veroorzaken.
- Raak het apparaat niet aan. De buitenkant van het apparaat kan heet zijn.

- Installeer dit apparaat niet op een plaats waar het kan worden blootgesteld aan bijtend gas.
- Gebruik de gespecificeerde verbindingkabels voor de verbindingen. Sluit de kabels stevig aan om er zeker van te zijn dat er geen externe spankracht wordt uitgeoefend op de aansluitingen.
  - Als de aansluitingen niet goed zijn aangebracht, kan dit brand door oververhitting veroorzaken.
- Bescherm het apparaat tegen regen, andere vochtinwerkingen en aardshokken en installeer het apparaat op de opgegeven plaats.
  - Een apparaat dat niet juist is geïnstalleerd kan vallen en schade of verwondingen veroorzaken.
- Gebruik altijd een filter en andere accessoires volgens opgave van Mitsubishi Electric.
  - Alle toebehoren moeten door een erkende installateur worden geïnstalleerd. De gebruiker mag niet zelf proberen accessoires te installeren. Verkeerd geïnstalleerde accessoires kunnen lekkage, elektrische schokken of brand veroorzaken.
- Probeer nooit zelf het apparaat te repareren. Als de airconditioner moet worden gerepareerd, dient u contact op te nemen met de dealer.
  - Indien een reparatie niet juist wordt uitgevoerd, kan dit lekkage, elektrische schokken of brand tot gevolg hebben.
- Raak de koel- en waterleidingen niet aan.
  - Een onjuiste behandeling kan lichamelijk letsel veroorzaken.
- Zorg dat u altijd beschermende kleding draagt wanneer u aan dit product werkt.
  - Bijvoorbeeld: handschoenen, kleding met lange mouwen zoals een overall en vooral ook een veiligheidsbril.
  - Een onjuiste behandeling kan lichamelijk letsel veroorzaken.
- Indien er koelgas lekt tijdens de installatie, dient u de ruimte te ventileren.
  - Indien het koelgas in contact komt met vuur, zullen er giftige gassen ontstaan.
- Installeer het apparaat volgens deze installatiehandleiding.
  - Onjuiste installatie kan resulteren in lekkage, een elektrische schok of brand.
- Alle werkzaamheden met betrekking tot elektriciteit moeten worden uitgevoerd door een erkend elektricien, overeenkomstig de plaatselijke wetgeving en de voorschriften die in deze handleiding worden gegeven en altijd op een afzonderlijk elektrisch circuit.
  - Een spanningsbron die onvoldoende stroom levert of elektrische bedrading die niet goed is geïnstalleerd kan elektrische schokken of brand veroorzaken.
- Zorg dat er (bij schoonmaken e.d.) geen water op de elektrische onderdelen komt.
  - Dat zou gevaar voor brand of een elektrische schok kunnen veroorzaken.
- De afdekplaat van de aansluitkast van het buitenapparaat moet stevig zijn bevestigd.
  - Als de afdekplaat onjuist is bevestigd, kan er stof en vocht binnendringen, hetgeen elektrische schokken of brand kan veroorzaken.
- Wanneer u de airconditioner op een andere plaats installeert of verplaatst, dient u deze alleen te vullen met de koelstof (R410A), die vermeld staat op het apparaat.
  - Indien een andere koelstof wordt gebruikt of indien er lucht wordt gemengd met de oorspronkelijke koelstof, kan er een storing optreden in de koelcyclus en kan het apparaat beschadigd raken.
- Als de airconditioner in een kleine ruimte wordt geïnstalleerd, moeten er maatregelen worden genomen om te voorkomen dat de concentratie koelstof in de ruimte hoger is dan de veiligheidsgrens bij eventuele lekkage van koelstof.
  - Vraag uw leverancier om hulp voor het uitvoeren van deze maatregelen ter voorkoming van overschrijding van de toegestane concentratie. Mocht er koelstof lekken en wordt de concentratiegrens daardoor overschreden, dan kunnen er ongelukken gebeuren vanwege het zuurstofgebrek dat in de ruimte kan ontstaan.
- Wanneer u de airconditioner wilt verplaatsen, dient u contact op te nemen met de dealer of een erkende installateur.
  - Onjuiste installatie kan resulteren in lekkage, een elektrische schok of brand.

- **Zodra de installatie is voltooid, dient u te controleren of er geen koelgas lekt.**
  - Als er koelgas weggelekt is en het blootgesteld wordt aan een ventilatorkachel, fornuis, oven, kunnen er schadelijke gassen ontstaan.
- **Breng geen wijzigingen aan in de instellingen van de beveiligingsmechanismen.**
  - Indien de drukschakelaar, thermische schakelaar of een ander beveiligingsmechanisme wordt kortgesloten en incorrect wordt bediend, of er andere onderdelen worden gebruikt dan gespecificeerd door Mitsubishi Electric, kan er brand ontstaan of een explosie optreden.
- **Als u dit product wilt verwijderen of weggooien, neem dan contact op met uw dealer.**
- **De installateur en systeemspecialist hanteren alle veiligheidsvoorschriften met betrekking tot lekkage in overeenstemming met de plaatselijke regelgeving of normen.**
  - De volgende normen kunnen van toepassing zijn als de plaatselijke regelgeving niet aanwezig is.
- **Schenk bijzondere aandacht aan plaatsen zoals een kelder, enz. Waar koelgas kan blijven hangen, omdat koeling zwaarder is dan de lucht.**
- **Draag tijdens werkzaamheden aan de controller beschermende kleding om het risico op een verwonding te verminderen.**

## 1.2. Voorzorgen voor apparaten die gebruik maken van koelstof R410A

### ⚠ Waarschuwing:

- **Gebruik uitsluitend het type koelmiddel dat in de meegeleverde handleidingen en op het typeplaatje wordt genoemd.**
  - Als u een ander type gebruikt, kunnen het toestel of leidingen barsten en bestaat er gevaar voor ontploffing of brand tijdens gebruik, reparatie en verwijdering van het toestel.
  - Ook overtreedt u mogelijk toepasselijke wetgeving als u dit voorschrift niet volgt.
  - MITSUBISHI ELECTRIC CORPORATION kan niet aansprakelijkheid worden gesteld voor storingen en ongevallen die het gevolg zijn van gebruik van een verkeerd type koelmiddel.

### ⚠ Voorzichtig:

- **Maak geen gebruik van de bestaande koelstofpijpen.**
  - De oude koelstof en koelmachine-olie in de bestaande buizen bevat een grote hoeveelheid chloor die ervoor kan zorgen dat de koelmachine-olie van het nieuwe apparaat verslechtert.
  - R410A is een hoge druk koelmiddel dat de bestaande buis kan doen barsten.
- **Gebruik fosforhoudende, zuurstofarme C1220-koperpijpen (Cu-DHP) als koelstofpijpen zoals opgegeven in JIS H3300 "Naadloze pijpen en buizen van koper of koperlegeringen". Daarnaast dient u ervoor te zorgen dat de binnen- en buitenoppervlakken van de pijpen schoon zijn en vrij zijn van gevaarlijk zwavel, oxiden, stof/vuil, deeltjes ten gevolge van nasnijden, olie-resten, vocht of andere verontreinigingen.**
  - Verontreinigingen aan binnenkant van de koelstofpijpen kunnen ervoor zorgen dat de koelmachine-olieresten verslechteren.
- **Slu de te gebruiken pijpen binnen op en zorg ervoor dat beide uiteinden van de pijpen afgesloten zijn, tot vlak voordat deze worden gesoldeerd. (Slu ellebogen en andere verbindingstukken op in een plastic zak.)**
  - Indien er stof, vuil of water in de koelcyclus terecht komt, kan dit verslechtering van de olie of een storing in de compressor als gevolg hebben.
- **Gebruik esterolie, etherolie of alkylbenzeen (een kleine hoeveelheid) als koelmachineolie voor de coating van opzomp- en flensverbindingen.**
  - De koelolie zal verslechteren als deze met een grote hoeveelheid mineraalolie wordt gemengd.
- **Gebruik vloeibare koelstof om het systeem af te dichten.**
  - Indien gasvormige koelstof wordt gebruikt om het systeem af te dichten, zal de samenstelling van de koelstof in de cilinder veranderen en kunnen de prestaties verslechteren.
- **Gebruik geen andere koelstof dan R410A.**
  - Als een andere koelvloeistof (bijvoorbeeld R22) wordt vermengd met R410A, kan de chloor in de koelvloeistof de koelmachineolie doen degenereren.
- **Gebruik een vacuümpomp met een keerklep voor terugstroming.**
  - De olie van de vacuümpomp kan terugstromen in de koelcyclus en kan ervoor zorgen dat de koelmachine-olie verslechtert.
- **Maak geen gebruik van het volgende gereedschap, dat wordt gebruikt bij gangbare koelstoffen. (Gasverdeeltiel, vulslang, gaslekdetector, keerklep voor terugstroming, vulslang voor koelstof, apparatuur voor het terugwinnen van koelstof.)**
  - Indien er gangbare koelstof of koelmachine-olie wordt gemengd met de R410A, kan dat de kwaliteit van de koelstof aantasten.
  - Indien er water wordt gemengd met de R410A, kan dat de kwaliteit van de koelmachine-olie aantasten.
  - Aangezien de R410A geen chloor bevat, zullen gaslekdetectors voor gangbare koelstoffen niet op deze koelstof reageren.
- **U dient geen gebruik te maken van een vulcilinder.**
  - Door gebruik te maken van een vulcilinder kan de koelstof verslechteren.
- **Wees uiterst voorzichtig bij het hanteren van het gereedschap.**
  - Indien er stof, vuil of water in de koelcyclus terecht komt, kan dit verslechtering van de koelstof als gevolg hebben.

## 1.3. Voordat u het apparaat installeert

### ⚠ Voorzichtig:

- **Installeer dit apparaat niet op een plaats waar het kan worden blootgesteld aan ontvlambare gassen.**
  - Wanneer er zich een gaslekage voordoet en dit gas zich rond het apparaat ophoopt, kan dit een ontploffing veroorzaken.
- **Gebruik de airconditioner niet in een ruimte waar zich voedsel, dieren, planten, precisie-instrumenten of kunstwerken bevinden.**
  - De kwaliteit van het voedsel enz., kan nadelig worden beïnvloed.
- **Gebruik de airconditioner niet in speciale ruimtes.**
  - Olie, stoom en zwavelhoudende dampen enz., kunnen de prestaties van de airconditioner aanzienlijk verminderen of schade toebrengen aan de onderdelen.
- **Wanneer het apparaat geïnstalleerd wordt in een ziekenhuis, communicatiestation, enz., dient te worden gezorgd voor afdoende bescherming tegen geluidsoverlast.**
  - De airconditioner kan foutief werken of in het geheel niet werken omdat het wordt beïnvloed door omzetaapparatuur, een eigen stroomgenerator, hoogfrequente medische apparatuur of communicatieapparatuur waarbij gebruik wordt gemaakt van radiogolven. Omgekeerd kan de airconditioner van invloed zijn op zulke apparatuur omdat het apparaat ruis produceert die een medische behandeling of het uitzenden van beelden kan verstoren.
- **Plaats het apparaat niet zo dat er lekkage kan optreden.**
  - Wanneer de luchtvochtigheid in de ruimte meer dan 80 % wordt of wanneer de afvoerbuis is verstopt, kan er condensatie van het binnenapparaat aflopen. Zorg voor de collectieve afvoer samen met het apparaat, zoals vereist.

## 1.4. Voordat u het apparaat installeert (verplaatst) - elektrische bedrading

### ⚠ Voorzichtig:

- **Het apparaat aarden.**
  - Sluit de aardleiding niet aan op een gasleiding, waterleiding, bliksemafleider of aardleiding voor de telefoon. Een tekortkoming in de aarding kan elektrische schokken veroorzaken.
- **Sluit het netsnoer zo aan dat er geen spanning op het snoer staat.**
  - Spanning kan er voor zorgen dat het snoer breekt, kan zorgen voor oververhitting en kan brand veroorzaken.
- **Zorg dat er, zoals vereist, een stroomonderbreker wordt geïnstalleerd.**
  - Indien er geen stroomonderbreker wordt geïnstalleerd, kan er een elektrische schok optreden.
- **Gebruik voor de elektrische aansluitingen kabels met voldoende stroomcapaciteit.**
  - Kabels met een te lage capaciteit kunnen lekkage, oververhitting en brand veroorzaken.
- **Gebruik alleen een stroomonderbreker en zekeringen met de gespecificeerde capaciteit.**
  - Een zekering of een stroomonderbreker met een hogere capaciteit of een stalen of koperen draad kan een algemene storing of brand veroorzaken.
- **De onderdelen van de airconditioner mogen niet worden gewassen.**
  - Het wassen van de onderdelen kan elektrische schokken tot gevolg hebben.
- **Zorg ervoor dat de installatie plaat niet wordt beschadigd door lang gebruik.**
  - Wanneer schade niet wordt hersteld, kan het apparaat naar beneden vallen en persoonlijk letsel of schade aan uw eigendommen veroorzaken.
- **Installeer de afvoerpijpen overeenkomstig deze installatiehandleiding, zodat een goede afvoer is gewaarborgd. Zorg ervoor dat de pijpen thermisch geïsoleerd zijn, om condensatie te voorkomen.**
  - Gebruik van verkeerde afvoerpijpen kan lekkage en schade aan het meubilair of andere eigendommen veroorzaken.
- **Wees uiterst voorzichtig bij het transport van het product.**
  - Indien het product meer dan 20 kg weegt, dient het door meer dan één persoon te worden gedragen.
  - Bij sommige producten worden PP-banden (polypropyleen) bij de verpakking gebruikt. Gebruik geen PP-banden (polypropyleen) voor vervoer. Het is gevaarlijk.
  - Wanneer u het apparaat verplaatst, ondersteun het dan op de aangegeven punten aan de onderkant van het apparaat. Ondersteun het apparaat eveneens op vier punten zodat het niet opzij kan glijden.
- **Wees voorzichtig als u het verpakkingsmateriaal wegdoet.**
  - Verpakkingsmateriaal zoals klemmen en andere metalen of houten onderdelen kunnen snijwonden of andere verwondingen veroorzaken.
  - Verscheur plastic verpakkingszakken en doe ze weg zodat kinderen er niet mee kunnen spelen. Als kinderen spelen met een plastic zak die niet gescheurd is, kan dit verstikkingsgevaar opleveren.

## 1.5. Voordat u het apparaat laat proefdraaien

### ⚠ Voorzichtig:

- **Storingscode "7130" verschijnt wanneer aan de volgende twee voorwaarden wordt voldaan.**
  - Het PWFY apparaat is aangesloten op de buiteneenheid van Y serie.
  - De softwareversie is de onderstaande vermelde versie.
    - PWFY serie: eerder dan Ver. 1.13
    - Y (YHM) serie: eerder dan Ver. 12.27
    - Y (YJM) serie: eerder dan ver. 1.31

Replace Y (YJM) serie: eerder dan Ver. 11.31  
 HP (ZUBADAN) serie: eerder dan Ver. 22.27  
 WY serie: eerder dan Ver. 12.29

- **Zet de netspanningschakelaar ruim twaalf uur voordat u de airconditioner gaat gebruiken aan.**
  - Als u het apparaat meteen nadat u de netschakelaar heeft omgedraaid aanzet, kunnen de interne onderdelen ernstig beschadigd worden. Gedurende het seizoen waarin u het apparaat gebruikt, moet u de netschakelaar altijd aan laten staan.
- **Raak schakelaars nooit met natte vingers aan.**
  - Het aanraken van een schakelaar met natte vingers kan een elektrische schok veroorzaken.
- **Raak de koelstofpijpen niet met blote handen aan terwijl de airconditioner werkt of vlak nadat deze heeft gewerkt.**
  - Terwijl de airconditioner werkt of vlak nadat deze heeft gewerkt, zijn de koelstofpijpen soms heet en soms koud, afhankelijk van de toestand van de vloeistof die circuleert in de pijpen, de compressor en de andere onderdelen van de koelstofcyclus. Uw handen kunnen verbranden of bevroren als u de koelstofpijpen aanraakt.
- **Gebruik de airconditioner niet wanneer de panelen en beveiligingen zijn verwijderd.**
  - Roterende onderdelen, hete onderdelen en onderdelen onder hoge spanning kunnen lichamelijk letsel veroorzaken.

- **Zet de netspanning niet onmiddellijk na gebruik van het apparaat uit.**
  - Wacht altijd tenminste vijf minuten alvorens u de netspanning uit zet. Anders kunnen lekkages of storingen ontstaan.
- **Raak het oppervlak van de compressor niet aan als deze aan staat.**
  - Als het apparaat op de aanvoer is aangesloten en niet aan staat, werkt de verwarmers van het carter bij de compressor.
- **Raak de panelen vlakbij de uitlaat van de ventilator niet met blote handen aan: deze kunnen heet worden als het apparaat in werking is (zelfs als deze gestopt is) of onmiddellijk na werking en vormen een risico voor verbrandingen. Draag handschoenen om uw handen te beschermen als het noodzakelijk is om de panelen aan te raken.**
- **Wanneer het apparaat in werking is of onmiddellijk na werking, wordt er hete lucht uit de uitlaat van de ventilator geblazen. Houd uw handen niet op de uitlaat of raak de panelen daarnaast niet aan.**
- **Zorg voor een afvoerkanal voor het afvoeren van de lucht vanaf de ventilator.**
- **Waterleidingen kunnen zeer heet worden, afhankelijk van de vooraf ingestelde temperatuur. Wikkel de waterleidingen in isolatiemateriaal om verbrandingen te voorkomen.**

## 2. Productinformatie

### ⚠ Waarschuwing:

- **Gebruik uitsluitend het type koelmiddel dat in de meegeleverde handleidingen en op het typeplaatje wordt genoemd.**
  - Als u een ander type gebruikt, kunnen het toestel of leidingen barsten en bestaat er gevaar voor ontploffing of brand tijdens gebruik, reparatie en verwijdering van het toestel.
  - Ook overtreedt u mogelijk toepasselijke wetgeving als u dit voorschrift niet volgt.
  - MITSUBISHI ELECTRIC CORPORATION kan niet aansprakelijkheid worden gesteld voor storingen en ongevallen die het gevolg zijn van gebruik van een verkeerd type koelmiddel.
- Dit apparaat werkt op koelvloeistof van het type R410A.

- De leidingen voor systemen die op R410A werken, verschillen mogelijk van gewone koelleidingen omdat de leidingen voor systemen met R410A aan een hogere druk moeten kunnen weerstaan. Meer gegevens vindt u in het Informatieblad.
- Sommige onderdelen en werktuigen die worden gebruikt voor de installatie van systemen die op andere koelvloeistoftypes werken, kunnen niet worden gebruikt voor systemen op R410A. Meer gegevens vindt u in het Informatieblad.
- Maak geen gebruik van de bestaande leidingen; daarin is nog chloor aanwezig uit de gewone koelmachineolie en koelvloeistoffen. Door chloor kan de koelmachineolie in de nieuwe apparatuur degenereren. De bestaande leidingen mogen voorts niet worden gebruikt omdat de leidingdruk in systemen op R410A hoger is dan in systemen die op andere koelvloeistoftypes werken; daardoor kunnen de bestaande leidingen barsten.

## 3. Specificaties

### ⚠ Waarschuwing:

**Gebruik uitsluitend het type koelmiddel dat in de meegeleverde handleidingen en op het typeplaatje wordt genoemd.**

- Als u een ander type gebruikt, kunnen het toestel of leidingen barsten en bestaat er gevaar voor ontploffing of brand tijdens gebruik, reparatie en verwijdering van het toestel.
- Ook overtreedt u mogelijk toepasselijke wetgeving als u dit voorschrift niet volgt.
- MITSUBISHI ELECTRIC CORPORATION kan niet aansprakelijkheid worden gesteld voor storingen en ongevallen die het gevolg zijn van gebruik van een verkeerd type koelmiddel.

Model	PWFY-P100VM-E-BU	PWFY-P100VM-E1-AU	PWFY-P200VM-E1-AU	
Geluidsniveau	44dB<A>	29dB<A>	29dB<A>	
Koelmiddel	R134a × 1,1 kg	-	-	
Netto gewicht	60 kg	35 kg	38 kg	
Ontwerpdruk	R410A MPa	4,15	4,15	
	R134a MPa	3,60	-	
	Water MPa	1,00	1,00	
Aansluitbaar Buitenapparaat	Totale capaciteit	50~100 % van capaciteit buitenapparaat		
	Model/Aantal	Alleen R2, Replace R2 serie, WR2 serie	Y, Replace Y serie, HP (ZUBADAN) serie, WY serie, R2, Replace R2 serie, WR2 serie	PUMY-P-V/YHMB(-BS)
Temp. bereik van Verwarming	Buitentemp.	-20~32 °CWB (59~90 °F)	-20~32 °CWB (-4~90 °F) PURY - serie -20~15,5 °CWB (-4~60 °F) PUHY - serie	-15~21 °CDB (5~70 °F), -15~15 °CWB (5~59 °F)
	Inlaat watertemp.	10~70 °C (50~158 °F)	10~40 °C (50~104 °F)	10~45 °C (50~113 °F)
Temp. bereik van Verkoeling	Buitentemp.	-	-5~43 °CDB (23~110 °F) PURY - serie -5~43 °CDB (23~110 °F) PUHY - serie	-
	Inlaat watertemp.	-	10~35 °C (50~95 °F)	-

## 4. Lijst met bijgeleverde onderdelen

- ① Filter    ② Hitte isolatiemateriaal    ③ Aansluitsets × 2    ④ Expansieverbinding × 2 (PWFY-P200VM-E1-AU)    ⑤ Draad    ⑥ Stroomschakelaar (PWFY-P100/P200VM-E1-AU)

## 5. Methode van optakelen

### ⚠ Voorzichtig:

Wees uiterst voorzichtig bij het dragen van het product.

- Als het product meer dan 20 kg weegt, dient het niet door één enkele persoon gedragen te worden.
- Bij sommige producten wordt gebruik gemaakt van PP-linten voor de verpakking. Gebruik deze niet om er het product mee te vervoeren omdat ze gevaarlijk zijn.
- Verscheur de plastic verpakkingzak in kleine stukjes zodat kinderen er niet mee kunnen spelen. Dit om verstikking door de plastic verpakkingzak bij kinderen te voorkomen.

## 6. Installatie van het apparaat en ruimte voor onderhoud

### 6.1. Installatie

- Zet het apparaat stevig vast aan de grondplaat met bouten door de hieronder aangegeven bevestigingsgaten.

[Fig. 6.1.1] (P.2)

Ⓐ 4-Ø14 (bevestigingsgat)

Ⓑ (Bovenaanzicht)

#### Ondergrond

- Zorg dat het apparaat wordt geïnstalleerd op een plaats die sterk genoeg is voor het volle gewicht ervan. Als de ondergrond niet stevig genoeg is, versterk deze dan met een betonnen fundering.
- Het apparaat moet worden vastgemaakt aan een horizontaal oppervlak. Gebruik na de installatie een waterpas om te controleren of het apparaat inderdaad horizontaal staat.
- Als het apparaat vlak naast een ruimte wordt geïnstalleerd waar geluidsoverlast een probleem kan zijn, raden wij u aan om op de grondplaat van het apparaat een trillingsdempende basis te gebruiken.

### ⚠ Waarschuwing:

- Installeer het apparaat op een plaats die sterk genoeg is om het gewicht van het apparaat te dragen.

Onvoldoende draagkracht kan ertoe leiden dat het apparaat naar beneden valt, hetgeen persoonlijk letsel kan veroorzaken.

- Installeer het apparaat zo dat het tegen harde wind en aardbevingen beschermd wordt.  
Onvolkomenheden bij de installatie kunnen ertoe leiden dat het apparaat naar beneden valt, hetgeen persoonlijk letsel kan veroorzaken.

### 6.2. Ruimte voor onderhoud

- Houd er bij de installatie rekening mee dat u de volgende ruimtes voor onderhoud vrij laat.

(Al het onderhoud kan worden gedaan vanaf de voorkant van het apparaat.)

[Fig. 6.2.1] (P.2)

Model	a	b	c
PWFY-P100VM-E-BU	400	300	600
PWFY-P100VM-E1-AU	400	300	600
PWFY-P200VM-E1-AU	400	300	600

Ⓐ Ruimte voor leidingen (rechterkant)

Ⓑ Bovenaanzicht

Ⓒ Ruimte voor onderhoud (voorkant)

## 7. Installatie van de waterleiding

- Haal het water na lange tijd van stilstand uit de buizen en laat deze goed drogen.
- Gebruik een gesloten watercircuit.
- Voeg pekels toe aan het circulerende water om bevriezing te voorkomen wanneer het apparaat in de koelingsmodus is.
- Voor het gebruik van pekels in het systeem, moet DipSW 1-10 worden ingesteld op AAN.
- Laat het water te allen tijde circuleren als het wordt geïnstalleerd in een omgeving met lage temperaturen. Als dat niet mogelijk is, laat dan het water volledig uit de buizen lopen of vul de waterleidingen met pekels.
- Gebruik het water dat voor dit apparaat is gebruikt niet om te drinken of het bereiden van voedsel.
- Gebruik geen stalen buizen als waterleiding.

Model	Waterinlaat	Wateruitlaat
PWFY-P100VM-E-BU	PT 3/4 Schroef	PT 3/4 Schroef
PWFY-P100VM-E1-AU	PT 3/4 Schroef	PT 3/4 Schroef
PWFY-P200VM-E1-AU *1 Wanneer de aangehechte expansieverbindingen zijn geïnstalleerd.	PT 1 Schroef*1	PT 1 Schroef*1

### 7.1. Voorzorgen bij de installatie

- Gebruik de omkeer/terugkeer-methode om voor iedere eenheid de juiste pijpweerstand te bepalen.
- Om het onderhoud, de inspectie en eventuele vervanging van het apparaat op een later tijdstip goed te kunnen uitvoeren, dient u bij de waterinlaat- en wateruitlaatpoorten altijd de juiste koppelstukken, kleppen, etc. te gebruiken. Let er bovendien op dat u bij de waterinlaatpoort een filter installeert. (Voor het behoud van het apparaat, is het van belang dat er een filter wordt geïnstalleerd op de inlaat van het watercirculatiesysteem.)
- Installeer een geschikte ontluchting op de waterleiding. Vergeet niet om de waterleiding te ontluichten nadat u de leiding met water heeft gevuld.
- In de gedeelten van het apparaat met een lage temperatuur kan water condenseren. Tap het overtollige water af via een aftapleiding, aangesloten op de aftapklep aan de onderkant van het apparaat.
- Installeer een terugslagklep op de pomp en een flexibele koppeling om overtollige trillingen te onderdrukken.
- Bescherm de leidingen met een mof op de plaatsen waar deze door een muur gaan.
- Zet de leidingen vast met metalen zadeltjes en installeer de leidingen zodanig dat deze maximaal worden beschermd tegen breken, buigen en andere beschadigingen.
- Let goed op dat de waterinlaat- en wateruitlaatkleppen niet worden verwisseld.
- Dit apparaat is niet uitgerust met een verwarmingselement ter voorkoming van bevriezen van de leidingen. Als de waterstroom bij lage buitentemperaturen stop wordt gezet, tap de leidingen dan af.

- De ongebruikte uitdruksgaten moeten worden afgedicht en de openingen van de koelstofpijpen, waterpijpen, voedingsbron en transmissieleidingen moeten worden afgedicht met kit e.d. als bescherming tegen water.
- Installeer de filter in een hoek van 45° of minder zoals afgebeeld in [Fig.7.1.2].
- Wikkel wat afdichtingstape rondom het schroefgedeelte om waterlekage te voorkomen.
- Breng de afdichtingstape als volgt aan.
  - ① Wikkel de tape in de richting van de schroefdraad (met de wijzers van de klok mee) rond het verbindingsgedeelte, en laat de tape niet over de rand komen.
  - ② Zorg ervoor dat elke nieuwe wikkeling van de tape de vorige voor ongeveer 2/3 tot 3/4 overlapt. Druk de tape met uw vingers aan zodat deze stevig over de schroefdraad aansluit.
  - ③ Wikkel geen tape meer rond de laatste 1,5 tot 2 omwentelingen van de schroefdraad aan het einde van de leiding.
- Installeer de meegeleverde filter op de waterinlaat.
- Houd de buis aan de kant van het apparaat met een moersleutel op zijn plek tijdens het installeren van de buizen of de filter. Draai de schroeven aan tot een tot een koppel van 50 N·m.
- Waterleidingen kunnen zeer heet worden, afhankelijk van de vooraf ingestelde temperatuur. Wikkel de waterleidingen in isolatiemateriaal om verbrandingen te voorkomen.
- Installeer op het model PWFY-P200VM-E1-AU de expansieverbinding (accessoir) op de inlaat na het installeren van de filter en de uitlaat.

#### Voorbeeld van apparaatinstallatie (met gebruik van waterleiding)

[Fig. 7.1.1] (P.2)

- Ⓐ Afsluitklep
- Ⓒ Wateruitlaatopening
- Ⓔ Filter type Y
- Ⓒ Expansieverbinding

- Ⓑ Waterinlaatopening
- Ⓓ Koelstofleiding
- Ⓕ Aftapleiding

### 7.2. Installatie van de isolatie

De oppervlaktetemperatuur van de waterbuis wordt zeer heet, afhankelijk van de ingestelde temperatuur. Isoleer de buis om verbrandingen te voorkomen. Wanneer de PWFY-P100/P200VM-E1-AU met koud water werkt, isoleer de waterbuis dan om condensvorming te voorkomen.

Wikkel isolatiemateriaal om de waterleidingen heen zoals afgebeeld in [Fig.7.2.1].

- bij buitenleidingen.
- bij binnenleidingen in gebieden met lage temperaturen, waar bevriezing een probleem kan vormen.
- als de van buiten komende lucht zorgt voor condensatie op de leidingen.
- rondom aftapleidingen.

[Fig. 7.2.1] (P.2)

- Ⓐ Hitte isolatiemateriaal (accessoir)
- Ⓑ Insiputen met dichtingsmateriaal

### 7.3. Watergebruik en controle op waterkwaliteit

Gebruik een gesloten watercircuit, om de kwaliteit van het water te behouden. Als de kwaliteit van het water te wensen overlaat, kan er op de waterwarmtewisselaar aanslag worden afgezet, met als gevolg een verminderde werking van de warmtewisselaar en mogelijke corrosie ervan. Let dus goed op de kwaliteit van het water (aanwezigheid van kalk en eventueel vuil), als u het watercirculatiesysteem installeert.

- Verwijderen van vreemde voorwerpen en vuilaanslag uit de leidingen.  
Tijdens de installatie dient u er goed op te letten dat er geen vreemde voorwerpen, zoals lasslakken, stukjes pakking of roest in de leidingen terechtkomen.

#### ② Waterkwaliteitsnorm

Items	Watersysteem voor de lagere-middentemperatuur Watertemp. ≤ 60 °C		Watersysteem voor de hogere-middentemperatuur Watertemp. > 60 °C		Tendens		
	Recirculerend water	Bijvulwater	Recirculerend water	Bijvulwater	Corrosief	Aanslagvorming	
Standaard items	pH (25 °C)	7,0 ~ 8,0	7,0 ~ 8,0	7,0 ~ 8,0	7,0 ~ 8,0	○	○
	Elektrische geleiding (mS/m) (25 °C) (μ s/cm) (25 °C)	30 of minder [300 of minder]	30 of minder [300 of minder]	30 of minder [300 of minder]	30 of minder [300 of minder]	○	○
	Chloride-ion (mg Cl/l)	50 of minder	50 of minder	30 of minder	30 of minder	○	
	Sulfaation (mg SO <sub>4</sub> <sup>2-</sup> /l)	50 of minder	50 of minder	30 of minder	30 of minder	○	
	Zuurverbruik (pH4.8) (mg CaCO <sub>3</sub> /l)	50 of minder	50 of minder	50 of minder	50 of minder		○
	Totale hardheid (mg CaCO <sub>3</sub> /l)	70 of minder	70 of minder	70 of minder	70 of minder		○
	Kalkhardheid (mg CaCO <sub>3</sub> /l)	50 of minder	50 of minder	50 of minder	50 of minder		○
	Ionensilica (mg SiO <sub>2</sub> /l)	30 of minder	30 of minder	30 of minder	30 of minder		○
Referentie items	IJzer (mg Fe/l)	1,0 of minder	0,3 of minder	1,0 of minder	0,3 of minder	○	○
	Koper (mg Cu/l)	1,0 of minder	1,0 of minder	1,0 of minder	1,0 of minder	○	
	Sulfide-ion (mg S <sup>2-</sup> /l)	Niet waarneembaar	Niet waarneembaar	Niet waarneembaar	Niet waarneembaar	○	
	Ammoniumion (mg NH <sub>4</sub> <sup>+</sup> /l)	0,3 of minder	0,1 of minder	0,1 of minder	0,1 of minder	○	
	Restchlor (mg Cl/l)	0,25 of minder	0,3 of minder	0,1 of minder	0,3 of minder	○	
	Vrije kooldioxide (mg CO <sub>2</sub> /l)	0,4 of minder	4,0 of minder	0,4 of minder	4,0 of minder	○	
	Ryznar-stabiliteitsindex	-	-	-	-	○	○

Gegevens uit : Richtlijn voor waterkwaliteit van koel- en airconditionerapparatuur (JRA GL02E-1994)

- ③ Raadpleeg een expert op het gebied van waterkwaliteit over waterkwaliteitscontrolemethoden en -berekeningen, alvorens over te gaan tot het gebruik van anticorrosiemiddelen.
- ④ Als u een eerder geïnstalleerde air-conditioning vervangt (of zelfs alleen de warmtewisselaar ervan), voer dan eerst een grondige waterkwaliteitscontrole uit en controleer leidingen, etc. op mogelijke corrosie.  
Corrosie kan in koudwatersystemen optreden, zelfs als er eerder geen tekenen van corrosie waren.  
Als de kwaliteit van het water bijvoorbeeld plotseling of geleidelijk omlaag is gegaan, dient de waterkwaliteit bijgewerkt te worden, voordat de air-conditioning geïnstalleerd of vervangen wordt.

### 7.4. Koppeling van de pomp

Om de test uit voeren voordat de pompinterlockkringloop is voltooid, sluit de klemmestrook TB142A (IN1) kort en voer daarna de test uit. Het apparaat kan beschadigd raken als er tijdens de werking geen water door de buizen circuleert.

#### <PWFY-P100VM-E-BU>

Zorg dat de inschakeling van het buitenapparaat wordt gekoppeld aan de inschakeling van de watercircuitpomp. Gebruik hiervoor de eindaansluitingen voor koppeling TB142A (IN1) die op het buitenapparaat zijn aangebracht.

[Fig. 7.4.1] (P.2)

#### <PWFY-P100/200VM-E1-AU>

##### <Koppeling van de pomp>

In het systeem, inclusief PWFY-P100/P200VM-E1-AU, kan het circulerende water bevriezen en resulteren in een storing. Voer de elektrotechnische werkzaamheden zoals aangegeven in [Fig. 7.4.2], om bevriezing van het water te voorkomen.

##### <Stroomschakelaar>

Bij de installatie van het apparaat moet de meegeleverde stroomschakelaar aan de wateruitlaatzijde van het apparaat geïnstalleerd worden, en moet de draad aangesloten worden op IN1 van TB142A op het apparaat.

**Als de stroomschakelaar niet geïnstalleerd wordt, zal het apparaat een foutmelding geven (2100: koppelfout) en niet werken.**

\* Een draad voor kortsluiting wordt meegeleverd maar is alleen bedoeld voor testen.

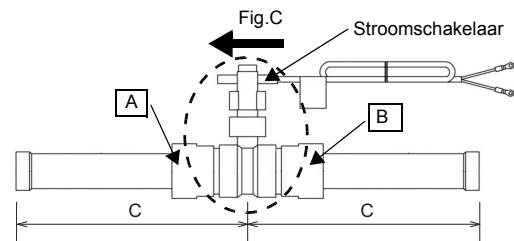
<Installatieprocedure>

- ① Verwijder de leidingen die aan de stroomschakelaar bevestigd zijn.  
Opmerking: Bij levering van het apparaat zijn de leidingen niet hard aangedraaid.
- ② Wikkel afdichttape rond het schroefdraad aan het einde van de leidingen, te beginnen van de 1,5e of 2e winding en niet over de openingen. Breng twee of drie wikkelingen aan in de richting van het schroefdraad van de leiding (met de klok mee). Elke nieuwe wikkeling moet de vorige over 2/3 tot 3/4 van de tapebreedte bedekken. Druk met uw vingers op de wikkelingen rond de leiding de tape goed in het schroefdraad.  
Bevestig daarna de leidingen aan de stroomschakelaar terwijl u delen A en B met een moersleutel vasthoudt. Het maximum aandraaikoppel is 60 N·m (611 kgf·cm).

- Kwaliteit van het water

- ① Afhankelijk van de kwaliteit van het water, kan het gebeuren dat de koperen leidingen van de warmtewisselaar corroderen. Wij raden u aan om het water op een eenvoudige manier te testen.  
Met name watercirculatiesystemen waarbij gebruik wordt gemaakt van open warmteopslag tanks, zijn gevoelig voor corrosie.  
Bij gebruik van een open warmteopslag tank, dient u een 'water-naar-water' warmtewisselaar te installeren en aan airconditionerzijde een gesloten circuit te gebruiken. Wanneer er een tank voor de watervoorziening is geïnstalleerd, dient het contact met de lucht tot een minimum te worden beperkt en mag de hoeveelheid opgeloste zuurstof in het water niet groter zijn dan 1 mg/l.

- ③ Sluit de stroomschakelaar en de leidingen aan op de wateruitlaat in horizontale positie. De hoek van de leiding-as moet minder bedragen dan 45 graden.  
Controleer de richting van de stroomschakelaar zoals is aangegeven in Fig. C.
- ④ Sluit de draad van de stroomschakelaar aan op IN1 van TB142A.



	C
PWFY-P100VM-E1-AU	175 mm
PWFY-P200VM-E1-AU	205 mm

Stel de DipSW in zoals aangegeven in onderstaande tabel.

DipSW3-6	Externe uitgangcontact
AAN	Effectief wanneer Thermo-AAN
UIT	Effectief wanneer Operatie-AAN (Afstandsbediening-AAN)

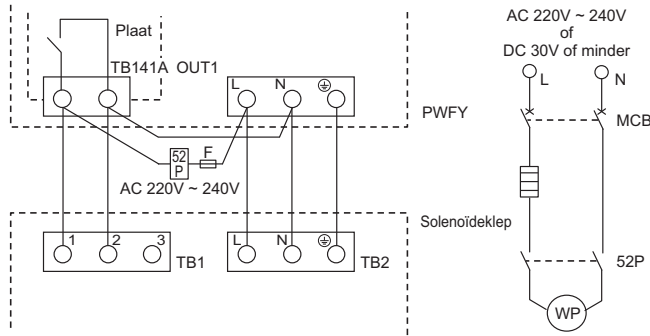
Zorg ervoor dat u de voedingspomp aanzet, aangezien de controle niet werkt wanneer de stroomvoorziening van de pomp is uitgeschakeld.

#### <PAC-SV01PW-E>

Sluit de bedrading aan zoals getoond in [Fig. 7.4.3] wanneer de pomp wordt gekoppeld met andere apparaten EN een solenoïdeklep (PAC-SV01PW-E) wordt aangesloten op een systeem met buitenapparaten van de Y-serie, buitenapparaten van de HP(ZUBADAN)-serie, binnenapparaten en PWFY-P100/P200VM-E1-AU.

Zet dipswitchelaar SW3-6 op ON (AAN). Vergewis u ervan dat de dipswitchverie 1.18 of hoger is.

[Fig. 7.4.3]



F: Zekering

52P: Magnetische schakelaar voor warmtebronwaterpomp

MCB: Circuitonderbreker

WP: Waterpomp

## 8. Specificaties voor koelleidingen en afvoerleidingen

Om dauwdruppels te voorkomen, moet u voldoende antizweet- en isolatiematerialen op de koel- en afvoerleidingen aanbrengen.

Als u de koelleidingen plaatselijk koopt, moet u ervoor zorgen dat u plaatselijk te krijgen isolatiemateriaal (met een warmtebestendigheid van meer dan 100 °C en een dikte zoals hieronder is aangegeven) op zowel de vloeistofleiding als de gasleiding aanbrengt.

① Selecteer de dikte van het isolatiemateriaal aan de hand van de diameter van de leiding.

Model	PWFY-P100VM-E-BU	PWFY-P100VM-E1-AU	PWFY-P200VM-E1-AU
Gas	ø15,88	ø15,88	ø19,05
Vloeistof	ø9,52	ø9,52	ø9,52
Afvoer	ø32		
Dikte isolatiemateriaal	Minimaal 10 mm		

② Als het apparaat gebruikt wordt op de hoogste verdieping van een gebouw en in omstandigheden met een hoge temperatuur en luchtvochtigheid, moet u leidingen met een grotere diameter en dikkere isolatie gebruiken dan die hierboven is aangegeven.

Zorg er ook voor dat u plaatselijk te krijgen isolatiemateriaal (met een specifieke zwaartekracht van 0,03 voor polyethyleen en een dikte zoals hieronder aangegeven) op alle leidingen die door kamers lopen, aanbrengt.

③ Als de klant specificaties heeft, volg die dan simpelweg op.

### 8.1. Koelbuis, afvoerbuis en vulopening

[Fig. 8.1.1] (P.3)

- Ⓐ Koelleidingwerk (gas)
- Ⓑ Koelleidingwerk (vloeistof)
- Ⓒ Waterinlaatopening
- Ⓓ Wateruitlaatopening
- Ⓔ Afvoertuitlaat
- \*1: PWFY-P100/200VM-E1-AU

## 9. De koel- en afvoerleidingen aansluiten

### 9.1. Koelleidingwerk

Deze werkzaamheden aan de pijpleidingen dienen te worden uitgevoerd volgens de installatiehandleiding van zowel het buitenapparaat als de BC-bedieningseenheid (de R2-lijn van apparaten die zowel koelen als verwarmen).

- De R2-lijn is ontworpen voor gebruik in een systeem waarbij de koelstofpijp van een buitenapparaat uitkomt bij de BC-bedieningseenheid en de pijp zich vertakt bij de BC-bedieningseenheid om aan te sluiten op binnenapparaten.
- Voor beperkingen met betrekking tot pijplengtes en toegestane hoogteverschillen, verwijzen wij u naar de installatie-instructies van het buitenapparaat.
- De verbinding tussen de leidingen is een hardsoldeer-verbinding.

#### ⚠ Voorzichtig:

- Installeer de koelvloeistofleidingen voor het binnenapparaat volgens de onderstaande procedure.

1. Zaag het uiteinde van de koelvloeistofleiding van het binnenapparaat af, laat het gas weglopen en verwijder de hardgesoldeerde eindkap.

[Fig. 9.1.1] (P.3)

- Ⓐ Hier afzagen
- Ⓑ Verwijder hardgesoldeerde eindkap

2. Trek de thermische isolatie van de koelstofleiding buiten het apparaat terug, soldeer het uiteinde van de koelstofleiding en schuif het isolatiemateriaal terug naar de oorspronkelijke stand.

Omwikkel de leidingen met isolerende tape.

#### Opmerking:

- Ga bij het omwikkelen van koperen leidingen altijd zorgvuldig te werk. Slordig omwikkelen van de leidingen kan de condensatievorming versterken in plaats van tegengaan.

\* Wikkel, voordat de koelbuizen gesoldeerd worden, de buizen op het apparaat zelf en de thermische isolatiebuizen, altijd met vochtige doeken in om verkringing door hitte en verbranding van de thermische isolatiebuizen te voorkomen. Zorg ervoor dat de vlam geen contact maakt met het apparaat zelf.

[Fig. 9.1.2] (P.3)

- Ⓐ Thermische isolatie
- Ⓑ Trekken
- Ⓒ Omwikkelen met natte doeken
- Ⓓ Terugschuiven naar oorspronkelijke positie
- Ⓔ Zorg dat er hier geen ruimte tussen blijft
- Ⓕ Omwikkelen met isolerende tape

### Pas op bij koelleidingen

- ▶ Gebruik niet-oxiderend soldeersel bij het hardsolderen om er zeker van te zijn dat er geen vreemde stoffen of vocht de pijp kunnen binnendringen.
- ▶ Zorg ervoor dat u koelmachine-olie op het zittingsoppervlak van de "flare"-aansluiting doet en dat u de leidingen stevig vastdraait met gebruik van een dubbele steeksleutel.
- ▶ Gebruik een metalen beugel om de koelleiding te ondersteunen zodat er geen gewicht op de einde van de leiding aan het binnenapparaat komt te staan. Monteer deze steunbeugel op 50 cm afstand van de "flare"-aansluiting van het binnenapparaat.

#### ⚠ Waarschuwing:

- Gebruik uitsluitend het type koelmiddel dat in de meegeleverde handleidingen en op het typeplaatje wordt genoemd.
  - Als u een ander type gebruikt, kunnen het toestel of leidingen barsten en bestaat er gevaar voor ontploffing of brand tijdens gebruik, reparatie en verwijdering van het toestel.
  - Ook overtreedt u mogelijk toepasselijke wetgeving als u dit voorschrift niet volgt.
  - MITSUBISHI ELECTRIC CORPORATION kan niet aansprakelijkheid worden gesteld voor storingen en ongevallen die het gevolg zijn van gebruik van een verkeerd type koelmiddel.
- Wanneer u het apparaat installeert en verplaatst, vul het dan uitsluitend met koelmiddelen (R407C of R22) die vermeld staan op het apparaat.
  - Indien een andere koelstof wordt gebruikt of indien er lucht wordt gemengd met de oorspronkelijke koelstof, kan er een storing optreden in de koelcyclus en kan het apparaat beschadigd raken.

### ⚠ Voorzichtig:

- Gebruik fosforhoudende, zuurstofarme C1220-koperpijpen (Cu-DHP) als koelstofpijpen zoals opgegeven in JIS H3300 "Naadloze pijpen en buizen van koper of koperlegeringen". Daarnaast dient u ervoor te zorgen dat de binnen- en buitenoppervlakken van de pijpen schoon zijn en vrij zijn van gevaarlijk zwavel, oxiden, stof/vuil, deeltjes ten gevolge van nasnijden, olie-resten, vocht of andere verontreinigingen.
- Maak geen gebruik van de bestaande koelstofpijpen.
  - De oude koelstof en koelmachine-olie in de bestaande buizen bevat een grote hoeveelheid chloor die ervoor kan zorgen dat de koelmachine-olie van het nieuwe apparaat verslechtert.
- Sla de te gebruiken pijpen binnen op en zorg ervoor dat beide uiteinden van de pijpen afgesloten zijn, tot vlak voordat deze worden gesoldeerd.
  - Indien er stof, vuil of water in de koelcyclus terecht komt, kan dit verslechtering van de olie of een storing in de compressor als gevolg hebben.

## 9.2. Afvoerleidingwerk

1. Zorg ervoor dat de afvoerleiding naar beneden loopt (met een helling van tenminste 1/100), naar buiten (lozing). Monteer geen stankafsluiter of andere onregelmatigheid in de leiding. (1)
2. Zorg ervoor dat kruiselings gemonteerde afvoerleiding niet langer is dan 20 m (het hoogtevverschil niet meegerekend). Voor lange afvoerleidingen moet u een steunbeugel monteren om zakken van de leidingen te voorkomen. Monteer nooit een ontluftingspijp, omdat anders het afvalwater eruit kan komen.
3. Gebruik een harde PVC-pijp VP-25 (buitendiameter  $\varnothing$  32 mm) voor de afvoerleidingen.
4. Zorg ervoor dat de verzamelleidingen 10 cm lager dan de afvoertuitlaat van het apparaat zijn gemonteerd, zoals afgebeeld in (2).
5. Monteer geen stankafsluiter op de opening van de afvoertuitlaat.
6. Zorg ervoor dat u de uitlaat van de afvoerleiding zo monteert dat deze geen stank veroorzaakt.
7. Doe het uiteinde van de afvoerleiding niet in een afvoer waar zich ionische gassen ontwikkelen.

[Fig. 9.2.1] (P.3)

- (A) Naar beneden lopende helling 1/100 of groter
- (B) Afvoerleiding
- (C) Apparaat
- (D) Verzamelbuizen
- (E) Maximaliseer deze lengte tot ongeveer 10 cm

## 10. Elektrische bedrading

### Vorzorgsmaatregelen bij elektrische bedrading

#### ⚠ Waarschuwing:

Elektrisch werk moet door gekwalificeerde elektriciens gedaan worden in overeenstemming met de van toepassing zijnde "Technische Normen voor Elektrische Installatie" en de bijgeleverde installatie-instructies. Speciale circuits moeten ook gebruikt worden. Als een voedingscircuit te weinig capaciteit of een installatiedefect heeft, kan het een elektrische schok of brand veroorzaken.

1. Zorg ervoor om voeding van het speciaal afgetakte circuit te gebruiken.
2. Zorg ervoor om een aardlekschakelaar in het voedingscircuit te installeren.
3. Installeer het apparaat zodanig dat geen van de regelcircuitkabels (afstandsbediening, transmissiekabels of externe invoer/uitvoerkabel) in direct contact met de voedingskabel buiten het apparaat kan komen.
4. Zorg ervoor dat er op geen enkele kabel aansluiting speling zit.
5. Sommige kabels (stroom, afstandsbediening, transmissiekabels of externe invoer/uitvoerkabel) boven het plafond kunnen door muizen doorgebeten worden. Gebruik voor bescherming zoveel mogelijk metalen pijpen om kabels doorheen te trekken.

#### 1. Transmissiekabels PWFY-P100VM-E-BU

	Transmissiekabels	MA afstandsbedieningskabels	Externe invoer	Externe uitvoer
Type kabel	Mantelkabel (2-aderig) CVVS, CPEVS of MVVS	2-Aderige mantelkabel (niet afgeschermd) CVVS	Meeraderige mantelkabel (afgeschermd) CVVS of MVVS	Meeraderige mantelkabel (afgeschermd) CVVS of MVVS
Kabeldiameter	Minimaal 1,25 mm <sup>2</sup>	0,3 ~ 1,25 mm <sup>2</sup> (0,75 ~ 1,25 mm <sup>2</sup> )*1	0,3 ~ 0,5 mm <sup>2</sup>	0,3 ~ 1,25 mm <sup>2</sup>
Opmerkingen	-	Max.lengte: 200 m	Max.lengte: 100 m	Nominale spanning: L1-N: 220 - 240 V Nominale lading: 0,6 A

#### PWFY-P100/200VM-E1-AU

	Transmissiekabels	MA afstandsbedieningskabels	Externe invoer	Externe uitvoer
Type kabel	Mantelkabel (2-aderig) CVVS, CPEVS of MVVS	2-Aderige mantelkabel (niet afgeschermd) CVVS	Meeraderige mantelkabel (afgeschermd) CVVS of MVVS	Meeraderige mantelkabel (afgeschermd) CVVS of MVVS
Kabeldiameter	Minimaal als 1,25 mm <sup>2</sup>	0,3 ~ 1,25 mm <sup>2</sup> (0,75 ~ 1,25 mm <sup>2</sup> )*1	0,3 ~ 0,5 mm <sup>2</sup>	0,3 ~ 1,25 mm <sup>2</sup>
Opmerkingen	-	Max.lengte: 200 m	Max.lengte: 100 m	Nominale spanning: L1-N: 220 - 240 V Nominale lading: 0,6 A

\*1 Verbonden met eenvoudige afstandsbediening. CVVS, MVVS : PVC geïsoleerde PVC dubbelzijdig afgeschermd bedieningskabel  
CVV, MVV : PVC geïsoleerde PVC-afgeschermd bedieningskabel  
CPEVS : PE geïsoleerde PVC dubbelzijdig afgeschermd communicatiekabel

## 9.3. De elektrische aansluitingen maken

Controleer of de modelnaam op de gebruiksaanwijzingen op het deksel van de besturingsdoos dezelfde is als de modelnaam op het naamplaatje.

Stap 1

Verwijder de schroeven waarmee het deksel van de besturingsdoos vast zit.

[Fig. 9.3.1] (P.3)

- (A) Schroeven
- (B) Voorpaneel
- (C) Besturingsdoos

#### Opmerking:

Zorg dat er geen draden worden afgeknelld als u het deksel van de aansluitdoos weer terugplaatst. Dit kan leiden tot beschadiging van de bedrading.

#### ⚠ Voorzichtig:

Leg de bedrading altijd zo aan dat de draden niet onder mechanische spanning staan of te strak worden getrokken. Als dit gebeurt, kunnen draden breken of oververhit raken en brand veroorzaken.

- Bevestig de externe stroombedrading aan de regeldoos m.b.v. een flexibele kabeldoorvoer voor het opvangen van elektrische schokken. (PG-aansluiting of vergelijkbaar). Sluit de transmissiebedrading aan op het transmissie-aansluitblok via de (uitdruk) opening in de besturingsdoos, met een normale doorvoer.
- Als alle bedrading is aangelegd, controleer dan nogmaals of alle verbindingen goed zijn gemaakt en plaats hierna het deksel van de aansluitdoos weer terug. Volg hiervoor de stappen voor het verwijderen, maar in omgekeerde volgorde.

[Fig. 9.3.2] (P.3)

- (A) Om ervoor te zorgen dat er geen trekkracht van buitenaf mechanische spanning kan veroorzaken op de aansluitingen op het stroomtoevoer-aansluitblok, dient u een bufferdoorvoer voor trekbelasting (PG-aansluiting of vergelijkbaar) te gebruiken.
- (B) Extern signaal invoerkabel
- (C) Extern signaal uitvoerkabel
- (D) Voedingsdraden
- (E) Trekkraft
- (F) Gebruik een normale doorvoer
- (G) Transmissiekabel en kabel voor MA afstandsbediening

#### ⚠ Voorzichtig:

Let op dat de voedingsdraden nooit te strak staan. Dit kan leiden tot losraken, oververhitting of brand.

6. Verbind het netsnoer nooit met de voedingsleidingen voor de transmissiekabels. Als u dit wel doet, begeven de kabels het.
7. Zorg ervoor dat u de regelkabels aan het binnenapparaat, de afstandsbediening en het buitenapparaat aansluit.
8. Zorg ervoor dat het apparaat geaard wordt.
9. Selecteer regelkabels volgens de voorwaarden zoals op pagina 55 aangegeven.

#### ⚠ Voorzichtig:

Zorg ervoor dat u het apparaat aan de kant van het buitenapparaat aardt. Sluit de aardingskabel niet op een gas- of waterleiding, een bliksemalleider of een aardingskabel voor de telefoon aan. Een niet goed geïnstalleerde aardingskabel kan elektrische schokken veroorzaken.

### Types regelkabels

#### 1. Bedrading van transmissiekabels

- Types transmissiekabels
- Ontwerp de bedrading in overeenstemming met de hiernavolgende tabel <Tabel 1>.
- Gebruik de meegeleverde kabels met extra isolatie.

## 10.1. Bedrading voedingskabel

- De voedingskabels van de apparatuur mogen niet lichter zijn dan de 245 IEC 57 of 227 IEC 57 norm.
- Bij installatie moet er een schakelaar met een contactafstand van ten minste 3 mm tussen de polen worden opgenomen in het voedingscircuit van de airconditioning.

## ELEKTRAWERK

### 1. Elektrische kenmerken

Model	Stroomvoorziening				Compressor		RLA (A)
	Hz	Volt	Spanningsbereik	MCA (A)	Uitvoer (kW)	SC (A)	Verwarming
PWFY-P100VM-E-BU	50/60	220-230-240 V	Max. 264 V Min. 198 V	15,71	1,0	1,25	11,63-11,12-10,66

Model	Stroomvoorziening				RLA (A)	
	Hz	Volt	Spanningsbereik	MCA (A)	Verkoeling	Verwarming
PWFY-P100VM-E1-AU PWFY-P200VM-E1-AU	50/60	220-230-240 V	Max. 264 V Min. 198 V	0,085	0,068-0,065-0,063	

### 2. Specificaties stroomkabel

Model	Minimale draaddikte (mm <sup>2</sup> )			Stroomonderbreker voor kortsluiting	lokale schakelaar (A)		Stroomonderbreker voor bedrading (NFB) (A)
	Hoofdkabel	afkapping	Aarde		capaciteit	zekering	
PWFY-P100VM-E-BU	2,5	-	2,5	30 A 30 mA 0,1 sec. of minder	25	25	30

Model	Totale werkstroom	Minimale draaddikte (mm <sup>2</sup> )			Stroomonderbreker voor kortsluiting	lokale schakelaar (A)		Stroomonderbreker voor bedrading (NFB) (A)
		Hoofdkabel	afkapping	Aarde		capaciteit	zekering	
PWFY-P100VM-E1-AU PWFY-P200VM-E1-AU	16 A of minder	1,5	1,5	1,5	20 A 30 mA 0,1 sec. of minder	16	16	20
	25 A of minder	2,5	2,5	2,5	30 A 30 mA 0,1 sec. of minder	25	25	30
	32 A of minder	4,0	4,0	4,0	40 A 30 mA 0,1 sec. of minder	32	32	40

[Fig. 10.1.1] (P. 4)

- (A) Stroomonderbreker voor kortsluiting
- (B) Lokale schakelaar of stroomonderbrekers voor de bedrading
- (C) PWFY-P100VM-E-BU
- (D) PWFY-P100/200VM-E1-AU
- (E) Trekdoos

### ⚠ Voorzichtig:

Gebruik niets anders dan de correcte capaciteitsverbreker en zekering. Het gebruik van een zekering, kabel of koperdraad met een te grote capaciteit kan een defect of brand veroorzaken.

## 10.2. De afstandsbediening en de transmissiekabels voor het binnen- en buitenapparaat aansluiten

(Afstandsbediening is beschikbaar als optie)

- Sluit apparaat TB5 en buitenapparaat TB3 aan. (Ongepolariseerd 2-aderig (beschermd))
- De "S" op apparaat TB5 is een gepantserde kabel aansluiting. Zie voor specificaties van de aansluitkabels de installatie-instructies van het buitenapparaat.
- Monteer een afstandsbediening in overeenstemming met de aanwijzingen die bij de afstandsbediening zitten.
- Sluit de "1" en "2" op apparaat TB15 aan op een MA-afstandsbediening. (Niet-gepolariseerde tweeadrige kabel)

[Fig. 10.2.1] (P.4) MA-afstandsbediening

- DC 10 tot 13 V tussen 1 en 2 (MA-afstandsbediening)

[Fig. 10.2.2] (P.4) MA-afstandsbediening

- De MA afstandsbediening kan niet gelijktijdig worden gebruikt of niet afwisselend.
  - (A) Niet-gepolariseerd
  - (B) TB15 (MA afstandsbedieningskabels)
  - (C) MA-afstandsbediening
  - (D) TB5 (Transmissiekabels)
  - (E) TB2 (Bedrading stroomkabels)

### Opmerking:

Zorg dat er geen draden worden afgeknipt als u het deksel van de aansluitdoos weer terugplaatst. Dit kan leiden tot beschadiging van de bedrading.

### ⚠ Voorzichtig:

- Gebruik bedrading met extra isolatie.
- De invoer naar TB142A, TB142B, en TB142C mag geen voltage hebben.
- Kabels die vanaf de apparatuur met externe invoer/uitvoer verbonden zijn, dienen voorzien te zijn van extra isolatie.
- Gebruik een meeraderige kabel voor externe invoer/uitvoer voor de verbinding met de PG-schroef.

### ⚠ Voorzichtig:

Let op dat de voedingsdraden nooit te strak staan. Dit kan leiden tot losraken, oververhitting of brand.

## 10.3. Externe invoer/uitvoer functie

### Vooraf ingestelde temperatuurinvoer (externe analoge invoer: 4mA-20mA)

Externe invoer is invoer door CN421, CN422 op de printplaat. (Fig. 10.3.1)

Gebruik de geleverde connector.

Als er geen temperaturen zijn ingesteld via de MA afstandsbediening, verandert de temperatuur met de stroom.

Raadpleeg de instructiehandleiding die bij de MA afstandsbediening is meegeleverd voor het instellen.

4 mA → 10 °C      20 mA → 70 °C

### Opmerking:

Gebruik een geïsoleerd uitvoerapparaat dat een 4-20 mA-signaal kan afgeven.

### Externe uitvoerterminal

De externe uitvoerterminal (zie Fig. 10.3.2) is niet effectief als het circuit open is.

Raadpleeg tabel 10.3.2 voor informatie over ieder contact.

De stroom en de spanning in het circuit, aangesloten op de externe uitgang (TB141A OUT1) moeten aan de volgende voorwaarden voldoen.

Nominale contactspanning	Nominale contactstroom	
	AC250V	1A of minder
AC125V	3A of minder	
DC30V	3A of minder	

Tabel 10.3.2

OUT1	Werking ON/OFF
OUT2	Ontdooien
OUT3	Compressor
OUT4	Foutsignaal

### Externe invoerterminal

De draadlengte moet korter zijn dan 100 m.

De externe invoerterminal (zie Fig. 10.3.3) is niet effectief als het circuit open is.

Raadpleeg tabel 10.3.3 tot 10.3.5 voor informatie over ieder contact.

Aleen de functie "pompevergrendeling" is niet effectief wanneer het circuit wordt kortgesloten.

Koppel een relaiscircuit aan de externe uitvoerterminal zoals afgebeeld in fig. 7.4.1.

De specificaties van het aan te sluiten relaiscircuit moet aan de volgende voorwaarden voldoen.

Contactspanningsbereik  $\geq$  DC15V

Contactspanningsstroom  $\geq$  0,1A

Minimale belasting  $\leq$  1mA gelijkstroom



**Tabel 10.3.3**  
**<PWFY-P100VM-E-BU>**  
 TB142A

IN1	pompvergrendeling
-----	-------------------

**<PWFY-P100/200VM-E1-AU>**  
 TB142A

IN1	Stroomschakelaar
-----	------------------

**Tabel 10.3.4**  
 TB142B

IN3	Verbindingseis
IN4	Werking ON/OFF

**Tabel 10.3.5**  
 TB142C

COM+	Algemeen
IN5*1	Heet water/Verwarming
IN6*2	Verwarming ECO
IN7*3	Antivries

\*1 PWFY-P100VM-E-BU Heet water  
 PWFY-P100/200VM-E1-AU Verwarming

\*2 is effectief wanneer SW 4-3 op ON staat.

\*3 is effectief wanneer SW 4-4 op ON staat.

\*4 Tijdens het instellen van ECO Verwarmings- of Antivriesmodus, reset alle stroomvoorziening naar alle eenheden (buiten/binnen-eenheden).

## 10.4. De aansluitadressen instellen

(Zorg ervoor dat er geen stroom op het apparaat staat als u de adressen instelt.)

[Fig. 10.4.1] (P.4)

<Adresbord>

- Er zijn twee types draaibare schakelinstellingen beschikbaar: voor het instellen van adressen 1 – 9 en groter dan 10, en voor het instellen van aftakkingnummers.
  - ① Hoe u de aansluitadressen instelt  
 Voorbeeld: Als het adres "3" is, laat SWU2 (voor groter dan 10) dan op "0" staan en breng SWU1 (voor 1 – 9) in overeenstemming met "3".
  - ② Hoe u de nummers van de aftakkingen instelt bij SWU3 (alleen voor de R2-lijn)  
 Laat de koelpijp van het binnenapparaat op het nummer van de eindverbinding van de BC-bediening passen. Laat de andere behalve R2 op "0" staan.
- De draaischakelaars worden in de fabriek allemaal op "0" gezet. Deze schakelaars kunnen worden gebruikt om de adressen van de apparaten en de nummers van de aftakkingen naar keuze in te stellen.
- De vaststelling van de aansluitadressen van het binnenapparaat varieert met het systeem dat u gebruikt. Stel ze in overeenstemming met de technische gegevens in.

## 11. Informatie op de kenplaat

### Waarschuwing:

Gebruik uitsluitend het type koelmiddel dat in de meegeleverde handleidingen en op het typeplaatje wordt genoemd.

- Als u een ander type gebruikt, kunnen het toestel of leidingen barsten en bestaat er gevaar voor ontploffing of brand tijdens gebruik, reparatie en verwijdering van het toestel.
- Ook overtreedt u mogelijk toepasselijke wetgeving als u dit voorschrift niet volgt.
- MITSUBISHI ELECTRIC CORPORATION kan niet aansprakelijkheid worden gesteld voor storingen en ongevallen die het gevolg zijn van gebruik van een verkeerd type koelmiddel.

Model		PWFY-P100VM-E-BU	PWFY-P100VM-E1-AU	PWFY-P200VM-E1-AU
Koelmiddel (kg)	R134a	1,1	–	–
	R410A	4,15	4,15	4,15
Toegestane druk (MPa)	R134a	3,60	–	–
	water	1,0	1,0	1,0
Netto gewicht (kg)		60	35	38

IN

1. Precauções de Segurança.....	58	7.3. Tratamento e controlo de qualidade da água.....	61
1.1. Antes da instalação e do trabalho eléctrico.....	58	7.4. Interligação da bomba.....	62
1.2. Precauções com dispositivos que utilizem o refrigerante R410A.....	59	8. Especificações das Tubagens de Refrigerante e de Drenagem.....	63
1.3. Antes da instalação.....	59	8.1. Tubo do refrigerante, tubo de drenagem e orifício de enchimento.....	63
1.4. Antes da instalação (retirada) - trabalho eléctrico.....	59	9. Ligação das Tubagens de Refrigerante e de Drenagem.....	63
1.5. Antes de efectuar o primeiro teste de funcionamento.....	59	9.1. Colocação da tubagem de refrigerante.....	63
2. Acerca do produto.....	60	9.2. Colocação da tubagem de drenagem.....	64
3. Especificações.....	60	9.3. Ligação dos terminais eléctricos.....	64
4. Confirmação das peças fornecidas.....	60	10. Cablagem Eléctrica.....	64
5. Método de elevação.....	60	10.1. Cablagem de alimentação.....	65
6. Instalação da unidade e área de manutenção.....	61	10.2. Ligação dos cabos de transmissão do controlo remoto e das unidades interior e exterior.....	65
6.1. Instalação.....	61	10.3. Função de entrada/saída externa.....	65
6.2. Área de manutenção.....	61	10.4. Definição dos endereços.....	66
7. Instalação da tubagem de água.....	61	11. Informações na placa nominal.....	66
7.1. Precauções durante a instalação.....	61		
7.2. Instalação do isolamento.....	61		

## 1. Precauções de Segurança

### 1.1. Antes da instalação e do trabalho eléctrico

- ▶ **Antes de instalar a unidade, leia atentamente as “Precauções de Segurança”.**
- ▶ **As “Precauções de Segurança” referem aspectos de grande importância relativos à segurança. Observe-os.**

#### Símbolos utilizados no texto

##### ⚠ Aviso:

Descreve as precauções a observar para evitar riscos de ferimentos ou morte ao utilizador.

##### ⚠ Cuidado:

Descreve as precauções a tomar para evitar danificar a unidade.

#### Símbolos utilizados nas ilustrações

⊘ : Indica uma acção a ser evitada.

⚠ : Indica que devem ser observadas instruções importantes.

⚡ : Indica uma peça que deve ser ligada à terra.

⚠ : Perigo de choques eléctricos. (Este símbolo encontra-se afixado no rótulo da unidade principal.) <Cor: amarela>

⚠ : Tenha o cuidado com a superfície quente.

##### ⚠ Aviso:

**Leia cuidadosamente os rótulos afixados na unidade principal.**

##### ⚠ Aviso:

- **Se o cabo de alimentação estiver danificado, tem de ser substituído pelo fabricante, agente autorizado ou pessoa qualificada, a fim de evitar riscos.**
- **Este aparelho não se destina a ser utilizado por pessoas (incluindo crianças) com capacidades físicas, sensoriais ou mentais reduzidas, ou com falta de experiência e conhecimentos, excepto se acompanhadas por um supervisor ou se tiverem recebido instruções relativas ao uso do aparelho por parte de uma pessoa responsável pela sua segurança.**
- **Não utilize outro tipo de refrigerante que não o indicado nos manuais fornecidos com a unidade e na placa de características.**
  - Se o fizer, a unidade ou os tubos podem rebentar, ou pode ocorrer uma explosão ou um incêndio durante a utilização, durante a reparação ou quando deitar fora a unidade.
  - Pode também estar a violar leis aplicáveis.
  - A MITSUBISHI ELECTRIC CORPORATION não pode ser responsabilizada por avarias ou acidentes decorrentes do uso de um tipo errado de refrigerante.
- **Não utilize tubos de aço, tais como tubos para água.**
  - Recomenda-se a utilização de tubos de cobre.
- **O circuito hidráulico deve ser do tipo fechado.**
- **Peça ao seu concessionário ou a um electricista qualificado que instale o ar condicionado.**
  - A deficiente instalação levada a cabo pelo utilizador poderá dar origem a fugas de água, choques eléctricos ou incêndio.
- **Instale a unidade num local que possa suportar o seu peso.**
  - Uma resistência insuficiente poderá fazer com que a unidade caia, provocando ferimentos.
- **Não toque na unidade. A superfície da unidade pode estar quente.**
- **Não instale a unidade em locais onde há geração de gás corrosivo.**
- **Utilize os cabos eléctricos indicados e efectue as ligações com segurança de forma que a força exterior do cabo não seja aplicada nos terminais.**

- A ligação e aperto inadequados poderão ocasionar formação de calor e provocar um incêndio.
- **Prepare para chuva e outras formas de humidade e tremores de terra, e instale a unidade no local especificado.**
  - A instalação imprópria poderá derrubar a unidade e provocar ferimentos.
- **Utilize sempre um filtro e outros acessórios especificados pela Mitsubishi Electric.**
  - Peça a um electricista qualificado que proceda à instalação dos acessórios. A sua deficiente instalação poderá dar origem a fugas de água, choques eléctricos ou incêndio.
- **Nunca proceda à reparação da unidade. Caso o ar condicionado tenha de ser reparado, consulte o seu concessionário.**
  - Se a unidade for mal reparada, poderão ocorrer fugas de água, choques eléctricos ou incêndio.
- **Não toque os tubos refrigerantes e os tubos de água.**
  - O seu manuseamento inadequado poderá provocar ferimentos.
- **Sempre que for manusear este produto, use equipamento de protecção. P. ex.: Luvas, protecção para todo o braço, ou seja, uma veste protetiva, e óculos de segurança.**
  - O seu manuseamento inadequado poderá provocar ferimentos.
- **Caso se verifiquem fugas de gás de refrigeração durante as operações de instalação, proceda ao arejamento do compartimento.**
  - Se o gás refrigerante entrar em contacto com uma chama, liberar-se-ão gases tóxicos.
- **Instale a unidade de acordo com o presente Manual de Instruções.**
  - Se a unidade for mal instalada, poderão ocorrer fugas de água, choques eléctricos ou incêndio.
- **Peça a um electricista qualificado que proceda a todos os trabalhos de electricidade, em conformidade com as “Normas de Engenharia de Aparelhagem Eléctrica” e as “Regulamentações sobre Cablagem de Interior” e com as instruções do presente manual, utilizando sempre um circuito especial.**
  - Caso a capacidade da fonte de energia seja inadequada ou a instalação eléctrica seja mal executada, poderão ocorrer choques eléctricos ou incêndio.
- **Mantenha as partes eléctricas longe da água (água de lavagem, etc.).**
  - Isso pode provocar choque eléctrico, causando fogo ou fumaça.
- **Instale com segurança a tampa (painel) do terminal da unidade exterior.**
  - Se a tampa (painel) do terminal ficar mal instalada, poderá deixar passar poeiras ou água para a unidade exterior e provocar incêndios ou choques eléctricos.
- **Ao instalar e deslocar o aparelho de ar condicionado para outro local, encha-o unicamente com o refrigerante especificado na unidade (R410A).**
  - Se misturar um refrigerante diferente ou ar com o refrigerante original, poderá provocar o mau funcionamento do ciclo de refrigeração, além de se arriscar a danificar a unidade.
- **Se instalar o ar condicionado num compartimento pequeno, deverá tirar medidas por forma a evitar que a concentração do refrigerante exceda o limite de segurança, mesmo que ocorram fugas de refrigerante.**
  - Informe-se junto do seu concessionário acerca das medidas adequadas para evitar exceder o referido limite. Caso se verifiquem fugas de refrigerante e a consequente ultrapassagem do limite de segurança, corre o risco de provocar falta de oxigénio no compartimento.
- **Sempre que retirar e reinstalar o ar condicionado, consulte o seu concessionário ou um técnico qualificado.**
  - Se instalar mal o ar condicionado, poderá dar origem a fugas de água, choques eléctricos ou um incêndio.
- **Após a instalação, certifique-se de que não existem fugas de gás refrigerante.**
  - Se houver fugas de gás refrigerante e estas forem expostas a um aquecedor com ventilador, um aquecedor, forno ou outra fonte de calor, poder-se-ão formar gases tóxicos.
- **Não re faça nem altere as programações dos dispositivos de segurança.**
  - Se o interruptor de pressão, o interruptor térmico ou outro dispositivo de protecção for eliminado e funcionar à força, ou se utilizar outras peças que não as indicadas pela Mitsubishi Electric, poderá provocar um incêndio ou explosão.
- **Para se desfazer deste produto, consulte o seu revendedor.**

- O instalador e o especialista de sistema deverão assegurar-se contra fugas, de acordo com os regulamentos ou padrões locais.
  - Os seguintes padrões podem ser aplicáveis, se não houver a disponibilidade dum regulamento local.
- Preste atenção ao local, tais como sótãos, etc., onde o gás refrigerante poderá permanecer, pois o refrigerante é mais pesado do que o ar.
- As crianças devem ser supervisionadas para garantir que não brincam com o aparelho.

## 1.2. Precauções com dispositivos que utilizem o refrigerante R410A

### ⚠ Aviso:

- Não utilize outro tipo de refrigerante que não o indicado nos manuais fornecidos com a unidade e na placa de características.
  - Se o fizer, a unidade ou os tubos podem rebentar, ou pode ocorrer uma explosão ou um incêndio durante a utilização, durante a reparação ou quando deitar fora a unidade.
  - Pode também estar a violar leis aplicáveis.
  - A MITSUBISHI ELECTRIC CORPORATION não pode ser responsabilizada por avarias ou acidentes decorrentes do uso de um tipo errado de refrigerante.

### ⚠ Cuidado:

- Não utilize a tubagem de refrigeração existente.
  - O refrigerante e o óleo de refrigeração precedentes da tubagem já existente contém uma grande quantidade de cloro, podendo provocar a deterioração do óleo de refrigeração da nova unidade.
  - O R410A é um refrigerante de alta pressão, e pode causar rupturas na tubulação existente.
- Utilize a tubagem de refrigerante feita de cobre fosfórico dioxido C1220 (Cu-DHP) como especificado em JIS H3300 "canos e tubos de liga de cobre e cobre sem emenda". Além disso, é preciso que as superfícies interna e externa dos tubos estejam limpas e sem enxofre, óxidos, poeira/sujidade, partículas de raspagem, óleos, humidade ou quaisquer outros contaminantes perigosos.
  - A presença de contaminantes no interior da tubagem de refrigeração pode causar a deterioração do óleo residual refrigerante.
- Guarde a tubagem a ser utilizada durante a instalação ao abrigo das intempéries e com ambas as extremidades tapadas até ao momento de serem soldadas. (Guarde os cotovelos e outras juntas num saco de plástico).
  - Se entrar poeira, sujidade ou água para o ciclo do refrigerante, o óleo poderá deteriorar-se e danificar o compressor.
- Utilize óleo de éster, óleo de éter ou alquilbenzeno (pequenas quantidades) como óleo refrigerante para revestir as ligações de aba saliente e de flange.
  - O óleo refrigerante degrada-se se for misturado com uma grande quantidade de óleo mineral.
- Utilize refrigerante líquido para encher o sistema.
  - Se utilizar gás refrigerante para fechar o sistema, a composição do refrigerante no cilindro alterar-se-á, podendo levar à diminuição do rendimento.
- Não utilize qualquer outro refrigerante além do R410A.
  - Se um outro refrigerante (R22, etc.) for misturado com o R410A, o cloro do refrigerante poderá deteriorar o óleo da refrigeração.
- Utilize uma bomba de vácuo com uma válvula de retenção de fluxo inverso.
  - O óleo da bomba de vácuo poderá retroceder para o ciclo do refrigerante e fazer com que o óleo de refrigeração se deteriore.
- Não utilize as seguintes ferramentas normalmente empregues com os refrigerantes tradicionais. (Diversos instrumentos de medida, tubo flexível de carga, detector de fugas de gás, válvula de retenção de fluxo inverso, base de carga do refrigerante, equipamento de recuperação de refrigerante.)
  - Se o refrigerante convencional e o óleo refrigerante forem misturados com o R410A, o refrigerante poderá deteriorar-se.
  - Se misturar água no R410A, o óleo refrigerante poderá deteriorar-se.
  - Uma vez que o R410A não contém cloro, os detectores de fugas de gás dos refrigerantes convencionais não apresentarão qualquer reacção em relação ao mesmo.
- Não utilize um cilindro de carga.
  - A utilização de um cilindro de carga pode causar a deterioração do refrigerante.
- Seja muito cuidadoso ao utilizar as ferramentas.
  - Se deixar entrar poeiras, sujidade ou água para o ciclo do refrigerante, este poder-se-á deteriorar.

## 1.3. Antes da instalação

### ⚠ Cuidado:

- Não instale a unidade em locais onde possam ocorrer fugas de gás combustível.
  - Se ocorrerem fugas de gás e este se acumular junto à unidade, poderá provocar uma explosão.
- Não utilize o ar condicionado em compartimentos onde permaneçam alimentos, animais domésticos, plantas, instrumentos de precisão ou obras de arte.
  - A qualidade dos alimentos, etc. poder-se-á deteriorar.
- Não utilize ar condicionado em ambientes especiais.
  - O óleo, vapor e os fumos sulfúricos, etc. poderão diminuir significativamente o rendimento do ar condicionado ou danificar as suas peças.

- Quando instalar a unidade num hospital, estação de comunicações ou num local semelhante, tenha o cuidado de instalar protecção suficiente contra as interferências.
  - O equipamento inversor, gerador de energia privado, equipamento médico de alta frequência ou equipamento de comunicação via rádio poderão provocar perturbações no funcionamento do ar condicionado, ou mesmo uma avaria. Por seu turno, o ar condicionado poderá afectar esse equipamento ao criar interferências que perturbem o tratamento médico ou a transmissão de imagens.
- Não instale a unidade numa estrutura que possa provocar fugas.
  - Se a humidade ambiente do compartimento exceder 80 % ou se o tubo de drenagem estiver obstruído, poderá ocorrer condensação na unidade interior. Desempenhe as operações drenagem colectiva juntamente com a unidade, como necessário.

## 1.4. Antes da instalação (retirada) - trabalho eléctrico

### ⚠ Cuidado:

- Ligue a unidade à terra.
  - Nunca ligue o fio de terra à tubagem de gás ou de água, haste de pára-raios ou linhas de terra telefónicas. A deficiente ligação à terra poderá provocar a ocorrência de choques eléctricos.
- Instale o cabo eléctrico de forma que este não fique sujeito a tensões.
  - A tensão poderá partir o cabo, provocar a formação de calor e consequentemente um incêndio.
- Se for necessário, instale um disjuntor de fugas de corrente.
  - Se não estiver instalado um disjuntor de fugas de corrente poderão ocorrer choques eléctricos.
- Utilize cabos eléctricos de capacidade e potência nominal suficientes.
  - Os cabos muito pequenos poderão ocasionar fugas de corrente, gerar calor e provocar um incêndio.
- Utilize unicamente um disjuntor ou fusível com a capacidade indicada.
  - Um fusível ou disjuntor de capacidade mais elevada ou um fio eléctrico de aço ou cobre poderão provocar uma avaria geral da unidade ou um incêndio.
- Não lave as unidades do ar condicionado.
  - Ao lavá-las poderá apanhar um choque eléctrico.
- Certifique-se de que a base de instalação não está danificada pelo uso excessivo.
  - Se não resolver este problema, a unidade poderá cair e provocar ferimentos pessoais ou danos graves no equipamento.
- Instale a tubagem de drenagem de acordo com as indicações do presente Manual, a fim de garantir uma drenagem adequada. Proceda ao isolamento térmico da tubagem para evitar formação de condensação.
  - Uma tubagem de drenagem deficiente poderá dar origem a fugas e danificar a mobília e outros haveres.
- Ao proceder ao transporte, faça-o com muito cuidado.
  - Uma pessoa só é incapaz de transportar o produto, caso este pese mais de 20 kg.
  - Alguns produtos utilizam cintas PP para embalagem. Nunca utilize cintas em PP como meio de transporte. É perigoso.
  - Ao transportar a unidade, suspenda-a nas posições indicadas na base da unidade. Além disso, prenda a unidade em quatro pontos de apoio para que não deslize para os lados.
- Elimine os materiais de embalagem segundo as normas de segurança.
  - Os materiais de embalagem, como por exemplo pregos e outras peças de metal ou de madeira, poderão provocar golpes ou outros ferimentos.
  - Rasgue e deite fora sacos de plástico de embalagem, de forma que as crianças não possam brincar com eles; caso contrário, correm o risco de asfixia.

## 1.5. Antes de efectuar o primeiro teste de funcionamento

### ⚠ Cuidado:

- O código de erro "7130" surge quando estão cumpridas ambas as condições seguintes:
  - A unidade PWFY está ligada à unidade exterior da série Y.
  - A versão do software é uma das indicadas abaixo.
    - Série PWFY: anterior à versão. 1.13
    - Série Y(YHM): anterior à versão. 12.27
    - Série Y(YJM): anterior à versão. 1.31
    - Série Replace Y(YJM): anterior à versão. 11.31
    - Série HP(ZUBADAN): anterior à versão. 22.27
    - Série WY: anterior à versão. 12.29
- Ligue a electricidade pelo menos 12 horas antes de dar início à operação.
  - Se começar a operação imediatamente depois de ligar o interruptor principal poderá danificar seriamente peças internas. Mantenha o interruptor ligado durante a estação operacional.
- Não toque nos interruptores com os dedos molhados.
  - Se tocar num interruptor com os dedos molhados poderá apanhar um choque eléctrico.
- Não toque na tubagem de refrigeração durante e imediatamente após o seu funcionamento.
  - No decorrer e imediatamente após o seu funcionamento, as tubagens de refrigeração poderão estar quentes ou frias, consoante o local de passagem do respectivo fluxo - através da tubagem de refrigeração, do compressor e outras peças do ciclo de refrigeração. Poderá sofrer queimaduras provocadas pelo calor ou pelo frio excessivos.

- **Não utilize o ar condicionado com os painéis e resguardos retirados.**
  - As peças rotativas, quentes ou em alta voltagem poderão dar origem a ferimentos.
- **Não desligue imediatamente a electricidade depois de terminar a operação.**
  - Aguarde sempre pelo menos cinco minutos antes de desligar a electricidade. Caso contrário, poderão ocorrer fugas de água e problemas.
- **Não toque na superfície do compressor durante os reparos.**
  - Se a unidade estiver ligada ao fornecimento e não estiver em operação, o aquecedor do cárter estará em operação.
- **Não toque nos painéis nas proximidades da saída do ventilador de exaustão com as mãos nuas: poderá se aquecer durante a operação da unidade (mesmo em modo de paragem) ou imediatamente após a operação, a cons-**

tituir um risco de queimaduras. Use luvas para proteger as suas mãos, quando seja necessário tocar os painéis.

- **Enquanto a unidade estiver em operação, ou imediatamente após a sua operação, o ar de exaustão de alta temperatura poderá ser emitido da saída do ventilador de exaustão. Não coloque as suas mãos sobre a saída e nem toque nos painéis nas proximidades da saída.**
- **Assegure-se de prover um corredor de ar para a exaustão emitida pelo ventilador.**
- **Os tubos de água podem ser aquece em demasia, dependendo da temperatura pré-ajustada. Enrole os tubos de água com materiais de isolamento para evitar queimaduras.**

## 2. Acerca do produto

### ⚠ Aviso:

- **Não utilize outro tipo de refrigerante que não o indicado nos manuais fornecidos com a unidade e na placa de características.**
  - Se o fizer, a unidade ou os tubos podem rebentar, ou pode ocorrer uma explosão ou um incêndio durante a utilização, durante a reparação ou quando deitar fora a unidade.
  - Pode também estar a violar leis aplicáveis.
  - A MITSUBISHI ELECTRIC CORPORATION não pode ser responsabilizada por avarias ou acidentes decorrentes do uso de um tipo errado de refrigerante.
- Esta unidade utiliza refrigerante do tipo R410A.
- A tubagem dos sistemas que utilizam o R410A poderá diferir da de sistemas que utilizam refrigerante normal, pois a concepção em termos de pressão é superior em sistemas que utilizam o R410A. Consulte o Manual Técnico para obter mais informações.

- Algumas das ferramentas e equipamento utilizados durante a instalação de sistemas que utilizam outro tipo de refrigerantes não podem ser utilizados com os sistemas que utilizam o R410A. Consulte o Manual Técnico para obter mais informações.
- Não utilize a tubagem existente, pois contém cloro, o qual se encontra no refrigerante e no óleo de máquina de refrigeração normais. Este cloro irá deteriorar o óleo de máquina de refrigeração existente no novo equipamento. A tubagem existente não pode ser utilizada, pois a concepção em termos de pressão em sistemas que utilizam o R410A é superior aos sistemas que utilizam outros tipos de refrigerantes, podendo ocorrer o rebentamento dos tubos existentes.

## 3. Especificações

### ⚠ Aviso:

**Não utilize outro tipo de refrigerante que não o indicado nos manuais fornecidos com a unidade e na placa de características.**

- Se o fizer, a unidade ou os tubos podem rebentar, ou pode ocorrer uma explosão ou um incêndio durante a utilização, durante a reparação ou quando deitar fora a unidade.
- Pode também estar a violar leis aplicáveis.
- A MITSUBISHI ELECTRIC CORPORATION não pode ser responsabilizada por avarias ou acidentes decorrentes do uso de um tipo errado de refrigerante.

Modelo	PWFY-P100VM-E-BU	PWFY-P100VM-E1-AU	PWFY-P200VM-E1-AU
Nível sonoro	44dB<A>	29dB<A>	29dB<A>
Refrigerante	R134a × 1,1 kg	-	-
Peso líquido	60 kg	35 kg	38 kg
Pressão projectada	R410A MPa	4,15	4,15
	R134a MPa	3,60	-
	Água MPa	1,00	1,00
Ligável Unidade exterior	Capacidade total	50~100 % da capacidade da unidade exterior	Pode ser ligada a apenas uma unidade exterior
	Modelo/Quantidade	Apenas R2, Replace R2 série, WR2 série	Y, Replace Y série, HP(ZUBADAN) série, WY série, R2, Replace R2 série, WR2 série
Faixa de temperatura Aquecimento	Temperatura externa	-20~32 °CWB (59~90 °F)	-20~32 °CWB (-4~90 °F) série PURY -20~15,5 °CWB (-4~60 °F) série PUHY
	Temperatura da entrada de água	10~70 °C (50~158 °F)	10~40 °C (50~104 °F)
Faixa de temperatura Refrigeração	Temperatura externa	-	-5~43 °CDB (23~110 °F) série PURY -5~43 °CDB (23~110 °F) série PUHY
	Temperatura da entrada de água	-	10~35 °C (50~95 °F)

## 4. Confirmação das peças fornecidas

- ① Filtro      ② Material de isolamento térmico      ③ Conjuntos de conectores × 2      ④ Junta de expansão × 2 (PWFY-P200VM-E1-AU)      ⑤ Fio      ⑥ Interruptor de fluxo (PWFY-P100/P200VM-E1-AU)

## 5. Método de elevação

### ⚠ Cuidado:

**Tenha muito cuidado quando transportar o produto.**

- Se o produto pesar mais de 20 kg, não deve ser transportado só por uma pessoa.
- Utilizam-se bandas de PP para embalar alguns produtos. Como são perigosas, não as utilize como meio de transporte.
- Rasgue e deite fora o saco plástico de embalagem, de forma a que as crianças não possam brincar com ele. Caso contrário, correm o risco de asfixia.

## 6. Instalação da unidade e área de manutenção

### 6.1. Instalação

- Utilizando os orifícios de fixação abaixo ilustrados, aparafuse bem a unidade à base.

[Fig. 6.1.1] (P.2)

Ⓐ 4-ø14 (orifício de fixação)      Ⓑ (Vista superior)

#### Bases

- Certifique-se de que instala a unidade num local suficientemente forte para suportar o respectivo peso. Se a base estiver instável, reforce-a com uma base de cimento.
- A unidade deverá ser fixada numa superfície nivelada. Utilize um nível para verificar o nivelamento após a instalação.
- Se a unidade for instalada perto de um compartimento onde o ruído constitua um problema, recomenda-se a utilização de um suporte anti-vibração na base da unidade.

#### ⚠ Aviso:

- Instale a unidade num local suficientemente sólido para suportar o respectivo peso. Qualquer perda de solidez pode provocar a queda da unidade e causar ferimentos pessoais.
- Execute o trabalho de instalação de modo a proteger a unidade de terremotos. Qualquer deficiência de instalação pode provocar a queda da unidade e causar ferimentos pessoais.

### 6.2. Área de manutenção

- Após a instalação, deixe livre as seguintes áreas de manutenção (Todos os serviços podem ser efectuados a partir da parte frontal da unidade)

[Fig. 6.2.1] (P.2)

Modelo	a	b	c
PWFY-P100VM-E-BU	400	300	600
PWFY-P100VM-E1-AU	400	300	600
PWFY-P200VM-E1-AU	400	300	600

Ⓐ Área para a tubagem (lateral direita)      Ⓑ Vista superior  
Ⓒ Área de manutenção (parte dianteira)

## 7. Instalação da tubagem de água

- Antes de um período prolongado de não utilização, remova toda água dos tubos e seque-os por completo.
- Utilize um circuito de água do tipo fechado.
- Quando a unidade estiver em modo de arrefecimento, adicione água salgada à água de circulação para impedir que congele.
- Para utilizar água salgada no sistema, DipSW 1-10 deverá estar na posição ON.
- Quando instalada num ambiente de baixa temperatura, mantenha a água sempre em circulação. Caso isto não seja possível, remova a água completamente dos tubos ou encha os tubos de água com água salgada.
- Não empregue água utilizada para esta unidade para consumo humano ou preparação de alimentos.
- Não utilize tubos de aço, tal como tubos para água.

Modelo	Entrada de água	Saída de água
PWFY-P100VM-E-BU	Parafuso PT 3/4	Parafuso PT 3/4
PWFY-P100VM-E1-AU	Parafuso PT 3/4	Parafuso PT 3/4
PWFY-P200VM-E1-AU	Parafuso PT 1 *1	Parafuso PT 1 *1

### 7.1. Precauções durante a instalação

- Utilize o método de retorno inverso para garantir a devida resistência da tubagem a cada unidade.
- Para garantir uma fácil manutenção, inspecção e substituição da unidade, utilize uma união, válvula, etc. adequadas na porta de entrada e de saída de água. Além disso, certifique-se de que é instalado um filtro no tubo de entrada da água. (De modo a manter a unidade, é necessária a utilização de um filtro na entrada da água em circulação.)
- Instale uma saída de ar na tubagem de água. Depois do envio de água através da tubagem, certifique-se de que é retirado o ar em excesso.
- Poderá ocorrer a formação de água condensada nas secções de baixa temperatura da unidade. Utilize um tubo de drenagem ligado à válvula de drenagem na base da unidade, por forma a drenar a água.
- Instale uma válvula de retenção do contrafluxo na bomba e uma união flexível para evitar a vibração em excesso.
- Utilize uma manga para proteger a tubagem nos locais em que esta passa numa parede.
- Utilize acessórios metálicos para fixar os tubos e instale-os de modo a que tenham o máximo de protecção contra quebras e dobras.
- Não confunda as válvulas de entrada e de saída de água.
- Esta unidade não está equipada com qualquer calefactor para evitar a congelação dentro dos tubos. Quando o fluxo de água for interrompido em ambientes de temperatura reduzida, retire a água dos tubos.
- Os furos de separação não utilizados devem ser fechados e as aberturas dos tubos de refrigerante, dos tubos da água, dos fios de transmissão e fornecimento de energia devem ser tapados com massa consistente ou outro produto para proteger da água.
- Instale o filtro a um ângulo de 45° ou menos, como ilustra [Fig.7.1.2].
- Embrulhe com fita vedante em torno da parte do parafuso, para evitar fugas de água.
- Enrole a fita vedante como indicado abaixo.

- Enrole a fita vedante na junta no sentido dos fios de rosca ( direcção dos ponteiros do relógio) sem deixar a fita ultrapassar a extremidade.
- Em cada volta sobreponha dois terços a três quartos da largura da fita. Carregue bem na fita com os dedos para que fique aderente a cada um dos fios de rosca.
- Não enrole a fita nos últimos 1,5 a 2 fios de rosca.

- Instale o filtro fornecido na entrada da água.
- Afixe o tubo na unidade num local com uma chave, quando for instalar tubos ou o filtro. Aperte os parafusos a um torque de 50 N·m.
- Os tubos de água podem se aquecer em demasia, dependendo da temperatura pré-ajustada. Embrulhe os tubos de água com materiais de isolamento para evitar queimaduras.
- No modelo PWFY-P200VM-E1-AU, instale a junta de expansão (acessório) na entrada, após a instalação do filtro e da saída.

#### Exemplo de instalação da unidade (com tubulação de água)

[Fig. 7.1.1] (P.2)

Ⓐ Válvula fechada      Ⓑ Entrada da água  
Ⓒ Saída da água      Ⓓ Tubagem do refrigerante  
Ⓔ Filtro tipo Y      Ⓕ Tubo de drenagem  
Ⓖ Junta de expansão

### 7.2. Instalação do isolamento

A temperatura de superfície do tubo de água pode ser elevada, dependendo da temperatura ajustada. Isole o tubo para evitar queimaduras. Quando operar o PWFY-P100/P200VM-E1-AU com água fria, isole o tubo de água para evitar a condensação.

Embrulhe o material isolante em torno dos tubos de água, como ilustra [Fig. 7.2.1].

- Em qualquer tubagem exterior.
- Em tubagens interiores em regiões de climas frios, em que os tubos congelados constituem um problema.
- Quando o ar proveniente do exterior leva à formação de condensação na tubagem.
- Em qualquer tubagem de drenagem.

[Fig. 7.2.1] (P.2)

Ⓐ Material de isolamento térmico (acessório)  
Ⓑ Injectar com material de calafetagem.

### 7.3. Tratamento e controlo de qualidade da água

Para preservar a qualidade da água, utilize o circuito de água do tipo fechado. Quando a qualidade da água em circulação é fraca, o permutador de calor da água pode desenvolver escamas, levando a uma redução da potência de permutação do calor e a uma possível corrosão do permutador de calor. Preste muita atenção ao tratamento e ao controlo da qualidade da água quando instalar o sistema de circulação de água.

- Remoção de objectos estranhos ou impurezas dentro dos tubos. Durante a instalação, preste atenção para que objectos estranhos, nomeadamente fragmentos de solda, partículas de vedante ou ferrugem, não entrem para os tubos.
- Tratamento da qualidade da água

- ① Dependendo da qualidade da água, as tubagens em cobre do permutador de calor podem sofrer corrosão. Recomendamos um tratamento regular da qualidade da água.

Os sistemas de circulação de água que utilizam tanques de armazenamento de calor abertos são particularmente susceptíveis de serem corroídos.

Ao utilizar um tanque de armazenamento de calor aberto, instale um permutador de calor de água-para-água, e utilize um circuito fechado no lado do ar condicionado. Se estiver instalado um depósito de fornecimento de água, mantenha o contacto com o ar no mínimo e o nível de oxigénio dissolvido na água a 1 mg/l, no máximo.

- ② Norma de qualidade da água

Itens	Sistema de água de temperatura gama média inferior Temp. Água ≤ 60 °C		Sistema de água de temperatura gama média superior Temp. Água > 60 °C		Tendência		
	Água de recirculação	Água de alimentação	Água de recirculação	Água de alimentação	Corrosivo	Formação de película	
Itens standard	pH (25 °C)	7,0 ~ 8,0	7,0 ~ 8,0	7,0 ~ 8,0	7,0 ~ 8,0	○	○
	Condutividade eléctrica (mS/m) (25 °C)	30 ou menos	30 ou menos	30 ou menos	30 ou menos	○	○
	(μ s/cm) (25 °C)	[300 ou menos]	[300 ou menos]	[300 ou menos]	[300 ou menos]	○	○
	lão cloro (mg Cl/l)	50 ou menos	50 ou menos	30 ou menos	30 ou menos	○	
	lão sulfato (mg SO <sub>4</sub> <sup>2-</sup> /l)	50 ou menos	50 ou menos	30 ou menos	30 ou menos	○	
	Consumo de ácido (pH4.8) (mg CaCO <sub>3</sub> /l)	50 ou menos	50 ou menos	50 ou menos	50 ou menos		○
	Dureza total (mg CaCO <sub>3</sub> /l)	70 ou menos	70 ou menos	70 ou menos	70 ou menos		○
Itens de referência	Dureza de cálcio (mg CaCO <sub>3</sub> /l)	50 ou menos	50 ou menos	50 ou menos	50 ou menos		○
	Silica iónica (mg SiO <sub>2</sub> /l)	30 ou menos	30 ou menos	30 ou menos	30 ou menos		○
	Ferro (mg Fe/l)	1,0 ou menos	0,3 ou menos	1,0 ou menos	0,3 ou menos	○	○
	Cobre (mg Cu/l)	1,0 ou menos	1,0 ou menos	1,0 ou menos	1,0 ou menos	○	
	lão sulfureto (mg S <sup>2-</sup> /l)	a não detectar	a não detectar	a não detectar	a não detectar	○	
	lão amónio (mg NH <sub>4</sub> <sup>+</sup> /l)	0,3 ou menos	0,1 ou menos	0,1 ou menos	0,1 ou menos	○	
	Cloro residual (mg Cl/l)	0,25 ou menos	0,3 ou menos	0,1 ou menos	0,3 ou menos	○	
Dióxido de carbono livre (mg CO <sub>2</sub> /l)	0,4 ou menos	4,0 ou menos	0,4 ou menos	4,0 ou menos	○		
Índice de estabilidade de Ryznar	-	-	-	-	○	○	

Referência : Directriz da Qualidade da Água para Equipamento de Ar Condicionado e Refrigeração (JRA GL02E-1994)

- ③ Informe-se com um especialista em controlo da qualidade da água relativamente aos métodos de controlo da qualidade da água e aos cálculos de qualidade da água antes de utilizar soluções anti-corrosão para gestão da qualidade da água.
- ④ Quando substituir um aparelho de ar condicionado previamente instalado (mesmo quando só pretender substituir o permutador de calor), efectue antes de mais uma análise à qualidade da água e verifique a existência de uma possível corrosão.  
A corrosão pode dar-se em sistemas de água fria, mesmo que não tenham havido sinais anteriores de corrosão.  
Se o nível de qualidade da água tiver decaído, regule a qualidade da água suficientemente antes de substituir a unidade.

## 7.4. Interligação da bomba

Para realizar o teste antes de o circuito de interligação da bomba estar concluído, ligue em curto-circuito o bloco de terminais TB142A (IN1) e execute o teste.

A unidade pode se avariar caso operada sem água a circular através dos tubos.

<PWFY-P100VM-E-BU>

Certifique-se de que o funcionamento da unidade e a bomba do circuito da água estão interligadas. Utilize os blocos terminais de interligação TB142A (IN1) que se encontram na unidade.

[Fig. 7.4.1] (P.2)

<PWFY-P100/200VM-E1-AU>

<Interligação da bomba>

No sistema com PWFY-P100/P200VM-E1-AU, a água de circulação poderá congelar e causar uma avaria da unidade. Execute o trabalho eléctrico conforme se mostra em [Fig. 7.4.2] para impedir a água de congelar.

<Interruptor de fluxo>

Quando estiver a instalar a unidade, certifique-se de que instala o interruptor de fluxo fornecido no lado da saída de água da unidade e ligue o fio à entrada IN1 do terminal TB142A da unidade.

Se o interruptor de fluxo não for instalado, a unidade irá emitir o sinal de erro (2100: erro de interligação) e não irá funcionar.

\* É fornecido um fio de curto-circuito, mas este destina-se apenas ao teste de funcionamento.

<Procedimentos de instalação>

- ① Retire os tubos presos no interruptor de fluxo.

**Nota:** A unidade é fornecida com os tubos ligeiramente apertados.

- ② Enrole fita vedante à volta dos fios de rosca na extremidade dos tubos, a partir do 1.º ou 2.º fio de rosca e não sobreponha as aberturas. Enrole duas a três vezes no sentido dos fios de rosca do tubo ( direcção dos ponteiros do relógio). Cada volta da fita deve sobrepor a anterior em 2/3 a 3/4 da largura da fita. Passe os dedos à volta dos fios de rosca e da fita para comprimir a fita contra os fios de rosca.

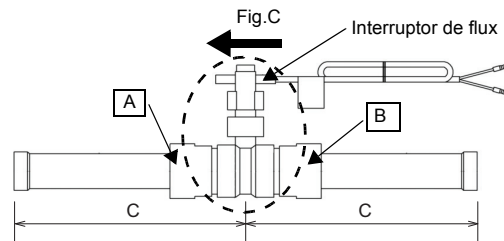
Em seguida, coloque os tubos no interruptor de fluxo, fixando as partes A e B com uma chave de fendas. O torque de aperto máximo é de 60 N·m (611 kgf·cm).

- ③ Na posição horizontal, coloque o interruptor de fluxo e os tubos na saída de água.

O ângulo do eixo do tubo deve ser inferior a 45 graus.

Verifique o sentido do interruptor de fluxo como ilustra a Fig. C.

- ④ Ligue o fio do interruptor de fluxo à entrada IN1 do terminal TB142A.



	C
PWFY-P100VM-E1-AU	175 mm
PWFY-P200VM-E1-AU	205 mm

Regule DipSW conforme mostra a tabela abaixo.

DipSW3-6	Contacto de saída externo
ON	Efectivo quando a função de aquecimento está activada (ON)
OFF	Efectivo quando o funcionamento está activado (ON) (controlo remoto ON)

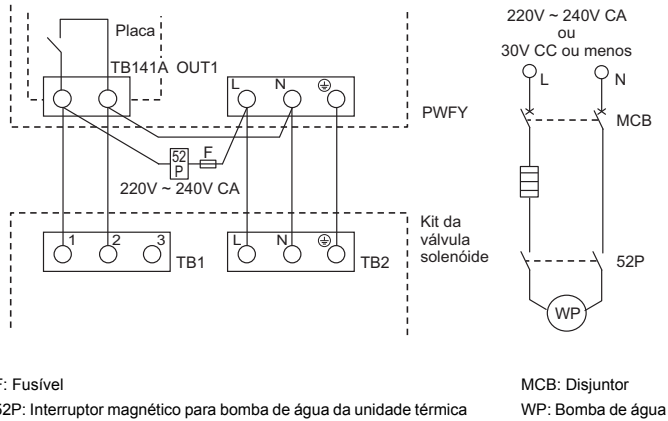
Certifique-se de que liga a alimentação da bomba, caso contrário o controlo não funcionará.

<PAC-SV01PW-E>

Ligue a cablagem como ilustra a [Fig. 7.4.3] quando efectuar a interligação do funcionamento da bomba com outras unidades E ligar um kit da válvula solenóide (PAC-SV01PW-E) a um sistema que inclua unidades exteriores da série Y e da série HP (ZUBADAN), unidades interiores e unidades PWFY-P100/P200VM-E1-AU.

Configure o comutador Dip 3-6 para ON (ACTIVADO). Certifique-se de que a versão do software é 1.18 ou posterior.

[Fig. 7.4.3]



F: Fusível

52P: Interruptor magnético para bomba de água da unidade térmica

MCB: Disjuntor

WP: Bomba de água

## 8. Especificações das Tubagens de Refrigerante e de Drenagem

Para evitar o gotejamento da condensação, efectue os trabalhos de anti-respiração e isolamento nas tubagens de refrigerante e de drenagem.

Se utilizar tubos de refrigerante disponíveis no comércio, envolva tubos de líquido e de gás com materiais de isolamento disponíveis no comércio (resistentes a 100°C ou mais e com a espessura indicada abaixo).

① Selecciona as espessuras do material de isolamento segundo a dimensão do tubo.

Modelo	PWFY-P100VM-E-BU	PWFY-P100VM-E1-AU	PWFY-P200VM-E1-AU
Gaseificação	ø15,88	ø15,88	ø19,05
Líquido	ø9,52	ø9,52	ø9,52
Drenagem	ø32		
Espessura do material de isolamento	Mais de 10 mm		

② Se a unidade for utilizada na peça mais elevada de um edifício e em condições de elevada temperatura e de muita humidade, é necessário utilizar uma dimensão de tubo e uma espessura do material de isolamento superior à indicada no quadro acima.

③ Se o cliente lhe fornecer especificações próprias, siga-as.

### 8.1. Tubo do refrigerante, tubo de drenagem e orifício de enchimento

[Fig. 8.1.1] (P.3)

- Ⓐ Tubulação do refrigerante (gás)
  - Ⓑ Tubulação do refrigerante (líquido)
  - Ⓒ Entrada da água
  - Ⓓ Saída da água
  - Ⓔ Saída da drenagem
- \*1: PWFY-P100/200VM-E1-AU

## 9. Ligação das Tubagens de Refrigerante e de Drenagem

### 9.1. Colocação da tubagem de refrigerante

O trabalho de instalação das tubagens deve ser executado segundo este Manual de Instalação da unidade exterior e do controlador BC (série R2 de arrefecimento e aquecimento simultâneos).

- A série R2 está concebida para funcionar num sistema cuja tubagem de refrigerante proveniente da unidade exterior é recebida pelo controlador BC, onde bifurca para ligar as unidades interiores.
- Consulte no manual da unidade interior as indicações relativas ao tubo e à diferença de elevação permitida.
- O método de ligação dos tubos é a ligação por soldadura.

#### ⚠ Cuidado:

- Instale a tubagem do refrigerante para a unidade interior em conformidade com as instruções que se seguem.

1. Corte a ponta da tubagem da unidade interior, retire o gás e retire a tampa soldada.

[Fig. 9.1.1] (P.3)

- Ⓐ Corte aqui
- Ⓑ Retire a tampa soldada

2. Retire o isolamento térmico da tubagem do refrigerante, solde a tubagem da unidade ao corpo principal e volte a colocar o isolamento na posição original. Envolva a tubagem com fita isoladora.

#### Nota:

- Preste especial atenção ao envolver a tubagem de cobre uma vez que ao envolver a tubagem pode provocar a condensação em vez de a evitar.
- \* Antes de soldar a tubulação do refrigerante, sempre embrulhe a tubulação na peça principal e a tubulação de isolamento térmico, com panos húmidos para evitar o encolhimento térmico e de queimar a tubulação do isolamento térmico. Tenha o cuidado de assegurar que a chama não entre em contacto com a peça principal em si.

[Fig. 9.1.2] (P.3)

- Ⓐ Isolamento térmico
- Ⓑ Enrole com pano húmido
- Ⓒ Certifique-se de que não existe aqui qualquer folga
- Ⓓ Envolva com fita isoladora
- Ⓔ Puxe
- Ⓕ Volte a colocar na posição original

### Precauções relativas à tubagem de refrigerante

- ▶ Utilize soldadura não oxidável nas soldaduras para não deixar entrar na tubagem matérias estranhas ou humidade.
- ▶ Aplique óleo de máquina de refrigeração à superfície de apoio da ligação de alargamento e aperte a ligação com uma chave de bocas dupla.
- ▶ Preveja uma braçadeira metálica para suportar a tubagem de refrigerante de maneira que o peso fique repartido entre a unidade interior e o tubo. Esta braçadeira metálica deve ficar a 50 cm da ligação de alargamento da unidade interior.

#### ⚠ Aviso:

- Não utilize outro tipo de refrigerante que não o indicado nos manuais fornecidos com a unidade e na placa de características.
  - Se o fizer, a unidade ou os tubos podem rebentar, ou pode ocorrer uma explosão ou um incêndio durante a utilização, durante a reparação ou quando deitar fora a unidade.
  - Pode também estar a violar leis aplicáveis.
  - A MITSUBISHI ELECTRIC CORPORATION não pode ser responsabilizada por avarias ou acidentes decorrentes do uso de um tipo errado de refrigerante.
- Quando instalar ou deslocar a unidade, nunca misture nada além do refrigerante (R407C ou R22) especificado na unidade.
  - A mistura de gás refrigerante, ar, etc. pode conduzir ao mau funcionamento do ciclo de refrigeração e provocar danos graves.

### ⚠ Cuidado:

- **Utilize a tubagem de refrigerante feita de cobre fosfórico dioxidizado C1220 (Cu-DHP) como especificado em JIS H3300 “canos e tubos de liga de cobre e cobre sem emenda”.** Além disso, é preciso que as superfícies interna e externa dos tubos estejam limpas e sem enxofre, óxidos, poeira/sujidade, partículas de raspagem, óleos, humidade ou quaisquer outros contaminantes perigosos.
- **Nunca utilize a tubagem de refrigerante existente.**
  - Uma grande quantidade de cloro no refrigerante convencional e de óleo de refrigeração na tubagem existente deteriora o novo refrigerante.
- **Guarde a tubagem a utilizar durante a instalação no interior e mantenha ambas as extremidades da mesma vedadas até à soldadura.**
  - Se entrar poeira, lixo ou água no ciclo refrigerante, o óleo deteriora-se e o compressor pode avariar.

## 9.2. Colocação da tubagem de drenagem

1. Certifique-se de que a tubagem de drenagem tem uma inclinação descendente (mais de 1/100) para o lado da unidade exterior (descarga). Não deixe nenhuma abertura nem irregularidades no percurso. (1)
2. Certifique-se de que a tubagem de drenagem transversal tem menos de 20 m (excluindo a diferença de elevação). Se a tubagem de drenagem for longa, preveja braçadeiras de metal para evitar que ela dobre. Nunca deixe respiradouro na tubagem, senão pode haver ejeção.
3. Utilize um tubo de cloreto de vinilo resistente VP-25 (com um diâmetro externo de 32 mm) para tubulação de drenagem.
4. Assegure-se de que os tubos colectados estejam 10 cm abaixo do orifício de drenagem ilustrado em (2).
5. Não deixe nenhum sifão de odor no orifício de descarga de drenagem.
6. Coloque a extremidade da tubulação de drenagem numa posição em que não sejam gerados odores.
7. Não coloque a extremidade da tubulação de drenagem em nenhum escoamento onde sejam gerados gases iónicos.

[Fig. 9.2.1] (P.3)

- (A) Declive 1/100 ou mais
- (B) Mangueira de drenagem
- (C) Unidade
- (D) Tubulação colectiva
- (E) Maximize este comprimento a aproximadamente 10 cm

## 9.3. Ligação dos terminais eléctricos

Verifique se o nome do modelo nas instruções de funcionamento que se encontram na tampa da caixa de controlo é o mesmo que na placa com o nome.

Passo 1

Retire os parafusos que prendem a tampa da caixa terminal no devido lugar.

[Fig. 9.3.1] (P.3)

- (A) Parafusos
- (B) Pannel frontal
- (C) Caixa de controlo

**Nota:**

**Certifique-se de que a cablagem não fica entalada quando colocar a tampa da caixa terminal. Isto poderá cortá-la.**

### ⚠ Cuidado:

**Instale a cablagem de modo a que não fique apertada e sob tensão. A cablagem sob tensão pode quebrar ou sobreaquecer e queimar-se.**

- Afixe a fiação da linha de entrada/saída da fonte de alimentação externa para controlar a caixa, utilizando um casquilho tampão para a força tensora, de modo a evitar choques eléctricos. (Ligação PG ou semelhante.) Ligue a cablagem de transmissão ao bloco terminal de transmissão através do orifício de separação na caixa de controlo, utilizando casquilhos normais.
- Quando terminar a ligação da cablagem, certifique-se novamente de que não existe qualquer folga nas ligações e coloque a tampa na caixa de controlo, seguindo a ordem inversa à do procedimento de remoção.

[Fig. 9.3.2] (P.3)

- (A) Para evitar que sejam aplicadas forças de tracção externas à secção da cablagem correspondente ao bloco do terminal de corrente, utilize casquilhos amortecedores, tais como ligações PG ou semelhantes.
- (B) Cabo de entrada do sinal externo
- (C) Cabo de saída do sinal externo
- (D) Cablagem da corrente
- (E) Força de tracção
- (F) Utilize casquilhos normais
- (G) Cabo de transmissão e cabo do controlador remoto MA

### ⚠ Cuidado:

**Efectue a ligação dos cabos de corrente de modo a que não seja transmitida tensão. Caso contrário, poderá resultar na desconexão, aquecimento ou incêndio.**

## 10. Cablagem Eléctrica

### Precauções relativas à cablagem eléctrica

#### ⚠ Aviso:

**Os trabalhos eléctricos devem ser efectuados por engenheiros de electricidade qualificados, de acordo com as “Normas de Engenharia de Instalação Eléctrica” e os manuais de instalação fornecidos. Devem também ser utilizados circuitos especiais. Se o circuito eléctrico não tiver capacidade suficiente ou for mal instalado, pode provocar choques eléctricos ou incêndios.**

1. Desligue a corrente do circuito especial da caixa de distribuição.
2. É necessário instalar um disjuntor de descarga para a terra.
3. Instale a unidade de maneira a evitar que nenhum cabo do circuito de controlo (cabos do controlador remoto, de transmissão ou linhas de entrada/saída externas) entre em contacto com o cabo de corrente exterior à unidade.
4. Faça que não haja folgas em nenhuma das ligações eléctricas.
5. É possível que alguns cabos (corrente, controlador remoto, de transmissão ou linhas de entrada/saída externas) por cima do tecto sejam mordidos por ratos. Utilize o mais possível condutos metálicos para fazer passar os cabos.

#### 1. Cabos de transmissão

PWFY-P100VM-E-BU

	Cabos de transmissão	Cabos do controlador remoto MA	Entrada externa	Saída externa
Tipo de cabo	Fio de blindagem (2 núcleos) CVVS, CPEVS ou MVVS	Cabo de 2 núcleos revestido (blindado) CVVS	Cabo multi-núcleos revestido (blindado) CVVS ou MVVS	Cabo multi-núcleos revestido (blindado) CVVS ou MVVS
Diâmetro do cabo	Mais de 1,25 mm <sup>2</sup>	0,3 ~ 1,25 mm <sup>2</sup> (0,75 ~ 1,25 mm <sup>2</sup> )*1	0,3 ~ 0,5 mm <sup>2</sup>	0,3 ~ 1,25 mm <sup>2</sup>
Observações	-	Comp. máx: 200 m	Comp. máx: 100 m	Tensão nominal: L1-N: 220 ~ 240 V Carga nominal: 0,6 A

PWFY-P100/200VM-E1-AU

	Cabos de transmissão	Cabos do controlador remoto MA	Entrada externa	Saída externa
Tipo de cabo	Fio de blindagem (2 núcleos) CVVS, CPEVS ou MVVS	Cabo de 2 núcleos revestido (blindado) CVVS	Cabo multi-núcleos revestido (blindado) CVVS ou MVVS	Cabo multi-núcleos revestido (blindado) CVVS ou MVVS
Diâmetro do cabo	Mais de 1,25 mm <sup>2</sup>	0,3 ~ 1,25 mm <sup>2</sup> (0,75 ~ 1,25 mm <sup>2</sup> )*1	0,3 ~ 0,5 mm <sup>2</sup>	0,3 ~ 1,25 mm <sup>2</sup>
Observações	-	Comp. máx: 200 m	Comp. máx: 100 m	Tensão nominal: L1-N: 220 ~ 240 V Carga nominal: 0,6 A

\*1 Ligado com um controlador remoto simples. CVVS, MVVS : Cabo de controlo blindado, revestido a PVC e isolado com PVC  
CVV, MVV : Cabo de controlo revestido a PVC e isolado com PVC  
CPEVS : Cabo de comunicação blindado, revestido a PVC e isolado com PE



## 10.1. Cablagem de alimentação

- Os cabos de alimentação de energia dos aparelhos não podem ser mais leves do que os dos aparelhos de design 245 IEC 57 ou 227 IEC 57.
- Na instalação do ar-condicionado, deve ser colocado um interruptor com separação de contato de no mínimo 3 mm em cada pólo.

## TRABALHO ELÉTRICO

### 1. Características eléctricas

Modelo	Fonte de alimentação				Compressor		RLA (A)
	Hz	Tensão	Gama de tensão	MCA (A)	Saída (kW)	SC (A)	Aquecimento
PWFY-P100VM-E-BU	50/60	220-230-240 V	Máx. 264 V Mín. 198 V	15,71	1,0	1,25	11,63-11,12-10,66

Modelo	Fonte de alimentação				RLA (A)	
	Hz	Tensão	Gama de tensão	MCA (A)	Refrigeração	Aquecimento
PWFY-P100VM-E1-AU PWFY-P200VM-E1-AU	50/60	220-230-240 V	Máx. 264 V Mín. 198 V	0,085	0,068-0,065-0,063	

### 2. Especificações do cabo de alimentação

Modelo	Espessura mínima do fio (mm <sup>2</sup> )			Disjuntor para fuga de corrente	Interruptor local (A)		Disjuntor para fiação (NFB) (A)
	Cabo da linha principal	ramificação	Terra		capacidade	fusível	
PWFY-P100VM-E-BU	2,5	-	2,5	30 A 30 mA 0,1 seg ou menos	25	25	30

Modelo		Espessura mínima do fio (mm <sup>2</sup> )			Disjuntor para fuga de corrente	Interruptor local (A)		Disjuntor para fiação (NFB) (A)	
		Cabo da linha principal	ramificação	Terra		capacidade	fusível		
PWFY-P100VM-E1-AU	Corrente operacional	16 A ou menos	1,5	1,5	1,5	20 A 30 mA 0,1 seg ou menos	16	16	20
PWFY-P200VM-E1-AU	total	25 A ou menos	2,5	2,5	2,5	30 A 30 mA 0,1 seg ou menos	25	25	30
		32 A ou menos	4,0	4,0	4,0	40 A 30 mA 0,1 seg ou menos	32	32	40

#### [Fig. 10.1.1] (P.4)

- (A) Disjuntor para fuga de corrente
- (B) Interruptor local ou disjuntores para a fiação
- (C) PWFY-P100VM-E-BU
- (D) PWFY-P100/200VM-E1-AU
- (E) Caixa de tração

#### ⚠ Cuidado:

Utilize apenas disjuntores e fusíveis com a capacidade correcta. Se utilizar um fusível, fio ou fio de cobre com uma capacidade demasiado elevada pode, haver riscos de mau funcionamento e de incêndio.

## 10.2. Ligação dos cabos de transmissão do controlo remoto e das unidades interior e exterior

(O controlo remoto está disponível opcionalmente).

- Ligue a unidade TB5 e a unidade exterior TB3. (2 fios não polarizados - blindados)
- O "S" da unidade interior TB5 é uma ligação de fio blindado. Veja as especificações sobre os cabos de ligação no manual de instalação da unidade externa.
- Instale o controlo remoto segundo o respectivo manual fornecido.
- Ligue o "1" e "2" na unidade TB15 para um controlador remoto MA. (2 fios não-polarizados).

#### [Fig. 10.2.1] (P.4) Controlo remoto MA

- DC 10 a 13 V entre 1 e 2 (Controlo remoto MA)

#### [Fig. 10.2.2] (P.4) Controlo remoto MA

- O controlador remoto MA não pode ser utilizado simultaneamente ou de forma intercambiável.

- (A) Não-polarizado
- (B) TB15 (Cabos do controlador remoto MA)
- (C) Controlador remoto MA
- (D) TB5 (Cabos de transmissão)
- (E) TB2 (Fiação de alimentação)

#### Nota:

Certifique-se de que a cablagem não fica entalada quando colocar a tampa da caixa terminal. Isto poderá cortá-la.

#### ⚠ Cuidado:

- Utilize fios com isolamento suplementar.
- Entradas para TB142A, TB142B, e TB142C não devem possuir voltagem.
- Os cabos dos equipamentos ligados para a entrada/saída externa devem possuir isolamento suplementar.
- Utilize um único cabo multi-núcleos para a entrada/saída externa, de modo a permitir a ligação ao parafuso PG.

#### ⚠ Cuidado:

Efectue a ligação dos cabos de corrente de modo a que não seja transmitida tensão. Caso contrário, poderá resultar na desconexão, aquecimento ou incêndio.

## 10.3. Função de entrada/saída externa

### Entrada da temperatura pré-ajustada (entrada analógica externa: 4mA-20mA)

A entrada externa é realizada via CN421, CN422 na placa de circuitos. (Fig. 10.3.1) Utilize o conector fornecido.

Se os ajustes de temperatura forem realizados via controlador remoto MA, a temperatura altera-se com a corrente.

Consulte o manual de instruções que acompanha o controlador remoto MA, acerca de instruções para como realizar os ajustes.

4 mA → 10 °C      20 mA → 70 °C

#### Nota:

Utilize um dispositivo de saída de sinais de 4 a 20 mA com isolamento.

### Terminal de saída externa

Terminal de saída externa (consulte Fig. 10.3.2) é inoperante quando o circuito estiver aberto.

Consulte a Tabela 10.3.2 acerca de informações sobre cada contacto.

A corrente e a tensão no circuito a ligar ao terminal de saída externo (TB141A OUT1) têm de cumprir as seguintes condições.

Tensão nominal de contacto	Corrente nominal de contacto	
	AC250V	1 A ou menos
AC125V	3 A ou menos	
DC30V	3 A ou menos	

Tabela 10.3.2

OUT1	Operação LIGADO/DESLIGADO
OUT2	Descongelar
OUT3	Compressor
OUT4	Sinal de erro

### Terminal de entrada externo

O comprimento do fio deve ser dentro de 100 m.

Terminal de entrada externa (consulte Fig. 10.3.3) é inoperante quando o circuito estiver aberto.

Consulte as Tabelas de 10.3.3 a 10.3.5, acerca de informações sobre cada contacto. Somente a função de "engate de bombas" é inoperante quando o circuito estiver em curto.

Ligue um circuito de relé ao terminal de saída externa como ilustra Fig. 7.4.1.

As especificações do circuito de relé a ser ligado devem estar de acordo com as seguintes condições:

Tensão nominal de contacto  $\geq$  DC15V

Corrente nominal de contacto  $\geq$  0,1A

Carga mínima aplicável  $\leq$  1mA em CC

**Tabela 10.3.3****<PWFY-P100VM-E-BU>**

TB142A

IN1	Engate de bombas
-----	------------------

**<PWFY-P100/200VM-E1-AU>**

TB142A

IN1	Interruptor de fluxo
-----	----------------------

**Tabela 10.3.4**

TB142B

IN3	Demanda de ligação
IN4	Operação LIGADO/DESLIGADO

**Tabela 10.3.5**

TB142C

COM+	Comum
IN5*1	Água Quente/Aquecimento
IN6*2	Aquecimento ECO
IN7*3	Anti-congelante

\*1 PWFY-P100VM-E-BU Água Quente

PWFY-P100/200VM-E1-AU Aquecimento

\*2 Operacional quando SW 4-3 estiver configurado em ON.

\*3 Operacional quando SW 4-4 estiver configurado em ON.

\*4 Quando definir o modo Aquecimento ECO ou Anticongelante, reinicie a alimentação de todas as unidades (exteriores/interiores).

## 10.4. Definição dos endereços

(Trabalhe sempre com a corrente DESLIGADA)

**[Fig. 10.4.1] (P.4)**

&lt;Quadro de endereços&gt;

- Há dois tipos de regulação de interruptor rotativo: regulação dos endereços de 1 – 9 e mais de 10 e regulação dos números de bifurcação.
  - Como definir os endereços  
Exemplo: se o endereço for “3”, mantenha o SWU2 (mais de 10) em “0” e una o e SWU1 (de 1 – 9) a “3”.
  - Como definir os números de bifurcações SWU3 (Somente a série R2)  
Realize a correspondência do tubo de refrigerante da unidade interior com o número do terminal da ligação do controlador BC. Mantenha algo além de R2 a “0”.
- Os interruptores rotativos estão todos regulados em “0” quando saem da fábrica. Estes interruptores servem para os endereços da unidade e os números do orifício de bifurcação, conforme queira.
- A determinação dos endereços das unidades interiores varia consoante o sistema instalado no local. Defina-os consultando o Livro de Especificações.

## 11. Informações na placa nominal

### Aviso:

**Não utilize outro tipo de refrigerante que não o indicado nos manuais fornecidos com a unidade e na placa de características.**

- Se o fizer, a unidade ou os tubos podem rebentar, ou pode ocorrer uma explosão ou um incêndio durante a utilização, durante a reparação ou quando deitar fora a unidade.
- Pode também estar a violar leis aplicáveis.
- A MITSUBISHI ELECTRIC CORPORATION não pode ser responsabilizada por avarias ou acidentes decorrentes do uso de um tipo errado de refrigerante.

Modelo		PWFY-P100VM-E-BU	PWFY-P100VM-E1-AU	PWFY-P200VM-E1-AU
Refrigerante (kg)	R134a	1,1	–	–
	R410A	4,15	4,15	4,15
Pressão permissível (MPa)	R134a	3,60	–	–
	água	1,0	1,0	1,0
Peso líquido (kg)		60	35	38

# Περιεχόμενα

1. Προφυλακτικά μέτρα ασφαλείας .....	67	7.2. Εγκατάσταση μόνωσης .....	71
1.1. Πριν από την εγκατάσταση και τις ηλεκτρικές εργασίες .....	67	7.3. Διεξαγωγή νερού και έλεγχος ποιότητας νερού .....	71
1.2. Προφυλάξεις για συσκευές που χρησιμοποιούν ψυκτικό υγρό R410A .....	68	7.4. Ενδοσφάλεια της αντλίας .....	71
1.3. Πριν από την εγκατάσταση .....	68	8. Προδιαγραφές σωλήνα ψυκτικού και σωλήνα αποστράγγισης .....	72
1.4. Πριν να γίνει η εγκατάσταση (ή μετακίνηση) - ηλεκτρικές εργασίες .....	68	8.1. Σωλήνας ψυκτικού, σωλήνας αποχέτευσης και στόμιο γεμίματος .....	72
1.5. Πριν αρχίσετε την δοκιμαστική λειτουργία .....	69	9. Σύνδεση σωλήνων ψυκτικού και αποστράγγισης .....	72
2. Σχετικά με το προϊόν .....	69	9.1. Σωλήνωση ψυκτικού .....	72
3. Τεχνικά χαρακτηριστικά .....	69	9.2. Σωλήνωση αποστράγγισης .....	73
4. Επαλήθευση συνημμένων εξαρτημάτων .....	70	9.3. Σύνδεση ηλεκτρικών επαφών .....	73
5. Μέθοδος ανύψωσης .....	70	10. Ηλεκτρικές καλωδιώσεις .....	73
6. Εγκατάσταση της μονάδας και διαθέσιμος χώρος για επισκευή .....	70	10.1. Καλωδίωση παροχής ρεύματος .....	74
6.1. Εγκατάσταση .....	70	10.2. Σύνδεση ελεγκτού εξ αποστάσεως, καλωδίων μεταφοράς εξωτερικών και εσωτερικών μονάδων .....	74
6.2. Διαθέσιμος χώρος Επισκευής .....	70	10.3. Λειτουργία εξωτερικής εισόδου/εξόδου .....	74
7. Εγκατάσταση σωλήνας νερού .....	70	10.4. Ρύθμιση διευθύνσεων .....	75
7.1. Προφυλάξεις κατά την εγκατάσταση .....	70	11. Πληροφορίες σχετικά με πινακίδα στοιχείων .....	75

## 1. Προφυλακτικά μέτρα ασφαλείας

### 1.1. Πριν από την εγκατάσταση και τις ηλεκτρικές εργασίες

- ▶ Πριν εγκαταστήσετε την μονάδα, βεβαιωθείτε ότι έχετε διαβάσει όλα τα “Προφυλακτικά μέτρα ασφαλείας”.
- ▶ Τα “Προφυλακτικά μέτρα ασφαλείας” παρέχουν πολύ σημαντικά σημεία σχετικά με την ασφάλεια. Βεβαιωθείτε ότι τα εφαρμόζετε.

#### Σύμβολα που χρησιμοποιούνται στο κείμενο

##### ⚠ Προειδοποίηση:

Περιγράφει τα μέτρα ασφαλείας που πρέπει να τηρούνται ώστε να αποφεύγονται κίνδυνος τραυματισμού ή θανάτου του χρήστη.

##### ⚠ Προσοχή:

Περιγράφει τα μέτρα ασφαλείας που πρέπει να τηρούνται ώστε να αποφεύγεται βλάβη στη μονάδα.

#### Σύμβολα που χρησιμοποιούνται στις εικονογραφήσεις

⊖ : Δείχνει την ενέργεια που πρέπει να αποφεύγεται.

⚠ : Δείχνει ότι πρέπει να ακολουθούνται σημαντικές οδηγίες.

⚠ : Δείχνει το μέρος της συσκευής που πρέπει να γειώνεται.

⚠ : Προσοχή κίνδυνος ηλεκτροπληξίας. (Αυτό το σύμβολο εμφανίζεται στην ετικέτα της κύριας μονάδας.) <Χρώμα: κίτρινο>

⚠ : Προσέχετε τις καυτές επιφάνειες

##### ⚠ Προειδοποίηση:

Διαβάστε προσεκτικά τις ετικέτες που είναι κολλημένες πάνω στην κύρια μονάδα.

##### ⚠ Προειδοποίηση:

• Εάν το καλώδιο παροχής είναι κατεστραμμένο, πρέπει να αντικατασταθεί από τον κατασκευαστή, τον αντιπρόσωπο της υπηρεσίας σέρβις ή κατάλληλα εξειδικευμένο προσωπικό προκειμένου να αποφευχθεί ο οποιοσδήποτε κίνδυνος.

• Αυτή η συσκευή δεν προορίζεται για χρήση από άτομα (συμπεριλαμβανομένων των παιδιών) με περιορισμένες φυσικές, οπτικές ή διανοητικές ικανότητες, ή απουσία εμπειρίας και γνώσης, με εξαίρεση την επίβλεψη ή καθοδήγησή τους στη χρήση της συσκευής από το άτομο που είναι υπεύθυνο για την ασφάλειά τους.

• Μη χρησιμοποιείτε διαφορετικό τύπο ψυκτικού από αυτόν που υποδεικνύεται στα εγχειρίδια τα οποία συνοδεύουν τη μονάδα και στην πινακίδα.

- Κάτι τέτοιο μπορεί να προκαλέσει θραύση της μονάδας ή των σωλήνων, είτε να έχει ως αποτέλεσμα έκρηξη ή πυρκαγιά κατά τη χρήση, την επισκευή ή τη στιγμή απόρριψης της μονάδας.

- Επίσης, μπορεί να αποτελέσει παραβίαση των ισχυόντων νόμων.

- Η MITSUBISHI ELECTRIC CORPORATION δεν μπορεί να θεωρηθεί υπεύθυνη για δυσλειτουργίες ή ατυχήματα που προκαλούνται από τη χρήση λανθασμένου τύπου ψυκτικού.

• Μη χρησιμοποιείτε τους ασάλινους σωλήνες ως σωλήνες νερού.

- Συνιστάται η χρήση σωλήνων χαλκού.

• Το κύκλωμα νερού θα πρέπει να είναι ένα κλειστό κύκλωμα.

• Ζητήστε από έναν αντιπρόσωπο ή από έναν εξουσιοδοτημένο τεχνικό να κάνουν την εγκατάσταση του κλιματιστικού.

- Ακατάλληλη εγκατάσταση της συσκευής από τον χρήστη μπορεί να έχει σαν αποτέλεσμα διαρροή νερού, ηλεκτροπληξία ή πυρκαγιά.

• Εγκαταστήστε τη μονάδα σε μέρος αρκετά ανθεκτικό που να αντέχει το βάρος της.

- Ανεπαρκής σταθερότητα μπορεί να έχει σαν αποτέλεσμα την πτώση της μονάδας προκαλώντας τραυματισμό.

• Μην αγγίζετε τη μονάδα. Η επιφάνεια της μονάδας ενδέχεται να είναι καυτή.

• Μην εγκαθιστάτε τη μονάδα σε σημεία όπου υπάρχει δημιουργία διαβρωτικών αερίων.

• Για την καλωδίωση, χρησιμοποιείτε μόνο τα προδιαγραφόμενα καλώδια. Κάνετε τις συνδέσεις ασφαλώς έτσι ώστε οι εξωτερικές πιέσεις του καλωδίου να μην έρχονται σε επαφή με τα θερματικά.

- Ανεπαρκής σύνδεση και στερέωση μπορεί να προκαλέσουν υπερθέρμανση και κατά συνέπεια πυρκαγιά.

• Προβλέψτε για βροχή, υγρασία και σεισμούς και εγκαταστήστε τη μονάδα στο κατάλληλο σημείο.

- Ακατάλληλη εγκατάσταση μπορεί να προκαλέσει την κατάρρευση της μονάδας και την προξένιση τραυματισμού.

• Χρησιμοποιείτε πάντα ένα φίλτρο και τα άλλα εξαρτήματα που καθορίζει η Mitsubishi Electric.

- Ζητήστε από έναν εξουσιοδοτημένο τεχνικό να εγκαταστήσει τις προσαρμοσμένες συσκευές. Ακατάλληλη εγκατάσταση από τον χρήστη μπορεί να έχει σαν αποτέλεσμα διαρροή νερού, ηλεκτροπληξία ή πυρκαγιά.

• Ποτέ μην επισκευάζετε μόνοι σας τη μονάδα. Εάν το κλιματιστικό πρέπει να επισκευασθεί, συμβουλευθείτε τον αντιπρόσωπό σας.

- Εάν γίνει ακατάλληλη επισκευή στην μονάδα μπορεί να προκληθεί διαρροή νερού, ηλεκτροπληξία ή πυρκαγιά.

• Μην αγγίζετε τις ψυκτικές σωληνώσεις και τους σωλήνες νερού.

- Ακατάλληλος χειρισμός μπορεί να προκαλέσει τραυματισμό.

• Κατά το χειρισμό αυτού του προϊόντος να φοράτε πάντοτε προστατευτικό εξοπλισμό.

π.χ.: Γάντια, πλήρη προστασία για τους βραχίονες, δηλαδή φόρμα βραστήρα, και γυαλιά ασφαλείας.

- Ακατάλληλος χειρισμός μπορεί να προκαλέσει τραυματισμό.

• Εάν υπάρχει διαρροή ψυκτικού αερίου κατά την διάρκεια της διαδικασίας εγκατάστασης, αερίστε το χώρο.

- Στην περίπτωση που το ψυκτικό αέριο έρθει σε επαφή με φλόγα, θα ελευθερωθούν δηλητηριώδη αέρια.

• Εγκαταστήστε τη μονάδα σύμφωνα με τον Οδηγό Εγκατάστασης.

- Εάν γίνει ακατάλληλη εγκατάσταση της μονάδας, μπορεί να προκληθεί διαρροή νερού, ηλεκτροπληξία ή πυρκαγιά.

• Όλες οι ηλεκτρικές εργασίες πρέπει να εκτελούνται από έναν πεπειραμένο ηλεκτρολόγο, ο οποίος διαθέτει σχετική άδεια και να γίνονται σύμφωνα με τους ισχύουσες τοπικές διατάξεις και κανονισμούς και τις οδηγίες που δίνονται σε αυτόν τον οδηγό καθώς και πάντοτε να χρησιμοποιείται ειδικό κύκλωμα.

- Εάν η χωρητικότητα της πηγής ισχύος είναι ανεπαρκής ή έχουν γίνει ακατάλληλα οι ηλεκτρικές εργασίες, μπορεί να προκληθούν ηλεκτροπληξία ή πυρκαγιά.

• Τα ηλεκτρικά μέρη δεν πρέπει να βραχούν (καθαρισμός με νερό κτλ.).

- Μπορεί να προκληθεί ηλεκτροπληξία, πυρκαγιά ή καπνός.

• Τοποθετήστε ασφαλώς το προστατευτικό κάλυμμα στους ακροδέκτες διανομής της εξωτερικής μονάδας (μεταλλικό φύλλο).

- Εάν το μεταλλικό φύλλο δεν έχει τοποθετηθεί σωστά, μπορεί να εισέλθουν σκόνη ή νερό στην εσωτερική μονάδα, και αυτό να έχει σαν αποτέλεσμα ηλεκτροπληξία ή πυρκαγιά.

• Όταν εγκαθιστάτε και μετακινείτε το κλιματιστικό σε άλλο χώρο, μην το πληρώνετε με ψυκτικό μέσο διαφορετικό από το ψυκτικό των προδιαγραφών της μονάδας (R410A).

- Εάν αναμιχθεί άλλο είδους ψυκτικό υγρό ή αέρας με το αυθεντικό ψυκτικό, ο ψυκτικός κύκλος μπορεί να πάθει βλάβη και αυτό πιθανό να προκαλέσει ζημιά στην μονάδα.

• Εάν το κλιματιστικό εγκατασταθεί σε μικρό χώρο, πρέπει να γίνονται ειδικές μετρήσεις ώστε να παρεμποδίζεται η υπέρβαση των ορίων ασφαλείας η συμπύκνωση του ψυκτικού ακόμη και αν υπάρξει διαρροή του.

- Συμβουλευθείτε τον αντιπρόσωπό σας για τα μέτρα που πρέπει να λαμβάνονται ώστε να παρεμποδίζεται η υπέρβαση των ορίων ασφαλείας. Στην περίπτωση που υπάρξει διαρροή ψυκτικού που τυχόν υπερβεί τα όρια ασφαλείας, μπορεί να προκληθούν ατυχήματα λόγω της έλλειψης οξυγόνου στο χώρο.

- Όταν πρόκειται να μετακινήσετε ή να εγκαταστήσετε το κλιματιστικό σε άλλο μέρος, συμβουλευθείτε τον αντιπρόσωπό σας ή έναν εξουσιοδοτημένο τεχνικό.
  - Εάν γίνει ακατάλληλη εγκατάσταση της μονάδας, μπορεί να προκληθεί διαρροή νερού, ηλεκτροπληξία ή πυρκαγιά.
- Όταν ολοκληρωθεί η διαδικασία εγκατάστασης, βεβαιωθείτε ότι δεν υπάρχει διαρροή ψυκτικού αερίου.
  - Εάν υπάρχει διαρροή ψυκτικού αερίου και το αέριο έρθει σε επαφή με θερμοσυσσωρευτή, σόμπα ή άλλη πηγή θερμότητας, μπορεί να ελευθερωθούν δηλητηριώδη αέρια.
- Μην αλλάζετε ή τροποποιείτε τις ρυθμίσεις των προστατευτικών μέσων ασφαλείας.
  - Εάν ο διακόπτης πίεσεως, ο διακόπτης θερμότητας ή άλλες συσκευές ασφαλείας επιταχυνθούν ή λειτουργηθούν βίαια ή αν χρησιμοποιηθούν εξαρτήματα διαφορετικά από αυτά που προδιαγράφονται από την Mitsubishi Electric, μπορεί να προκληθεί έκρηξη ή πυρκαγιά.
- Για την απαλλαγή σας από το προϊόν επικοινωνήστε με τον αντιπρόσωπό σας.
- Ο τεχνικός εγκατάστασης και ο ειδικός συστήματος θα εξασφαλίσουν την ασφάλεια από τη διαρροή σύμφωνα με τους τοπικούς κανονισμούς ή πρότυπα.
  - Ενδεχομένως να πρέπει να ακολουθηθούν τα τοπικά πρότυπα αν δεν υπάρχουν διαθέσιμοι τοπικοί κανονισμοί.
- Προσέξτε ιδιαίτερα στο μέρος, όπως υπόγειο, κτλ, όπου μπορεί να κάσει το ψυκτικό αέριο, γιατί το ψυκτικό είναι πιο βαρύ από τον αέρα.
- Απαιτείται επίβλεψη των παιδιών για να μην παίζουν με τη συσκευή.

## 1.2. Προφυλάξεις για συσκευές που χρησιμοποιούν ψυκτικό υγρό R410A

### ⚠ Προειδοποίηση:

- Μην χρησιμοποιείτε διαφορετικό τύπο ψυκτικού από αυτόν που υποδεικνύεται στα εγχειρίδια τα οποία συνοδεύουν τη μονάδα και στην πινακίδα.
  - Κάτι τέτοιο μπορεί να προκαλέσει θραύση της μονάδας ή των σωλήνων, είτε να έχει ως αποτέλεσμα έκρηξη ή πυρκαγιά κατά τη χρήση, την επισκευή ή τη στιγμή απόρριψης της μονάδας.
  - Επίσης, μπορεί να αποτελέσει παραβίαση των ισχυόντων νόμων.
  - Η MITSUBISHI ELECTRIC CORPORATION δεν μπορεί να θεωρηθεί υπεύθυνη για δυσλειτουργίες ή ατυχήματα που προκαλούνται από τη χρήση λανθασμένου τύπου ψυκτικού.

### ⚠ Προσοχή:

- Μην χρησιμοποιείτε την υπάρχουσα σωλήνωση ψυκτικού.
  - Το παλιό ψυκτικό υγρό και το ψυκτικό λάδι στην υπάρχουσα σωλήνωση περιέχει μία μεγάλη ποσότητα χλωρίου που μπορεί να προκαλέσει την αλλοίωση του ψυκτικού λαδιού στην καινούρια μονάδα.
  - Το R410A είναι ένα ψυκτικό υπό υψηλή πίεση και μπορεί να προκαλέσει το σπάσιμο των σωλήνων.
- Χρησιμοποιήστε ψυκτικές σωληνώσεις κατασκευασμένες από C1220 (Cu-DHP) αποξειδωμένο φωσφορικό χαλκό ως προδιαγραφόμενο στα JIS H3300 "Σωλήνες και αγωγοί χωρίς ραφές, από χαλκό και πρόσμιξη κράματος χαλκού". Επίσης, βεβαιωθείτε ότι οι εσωτερικές και εξωτερικές επιφάνειες των σωλήνων πρέπει να είναι καθαρές και να μην περιέχουν επικίνδυνα θειάφι, οξειδία, σκόνη/βρωμιά, κόκκους ρινίσματος, λάδια, υγρασία ή οποιοσδήποτε άλλες προσμίξεις.
  - Προσμίξεις στο εσωτερικό των ψυκτικών σωληνώσεων ενδέχεται να προκαλέσουν την αλλοίωση του ψυκτικού ιζηματικού λαδιού.
- Αποθηκεύστε τις σωληνώσεις που θα χρησιμοποιηθούν για την εγκατάσταση σε εσωτερικό χώρο και φυλάξτε και τα δύο άκρα των σωληνώσεων σφραγισμένα μέχρις ότου γίνει η συγκόλληση. (Φυλάξτε τους συνδέσμους και τις γωνίες σε μία πλαστική σακούλα.)
  - Εάν τυχόν εισέλθουν σκόνη, βρωμιά ή νερό στον ψυκτικό κύκλο, μπορεί να αλλοιωθεί η ποιότητα του λαδιού ή να δημιουργηθούν προβλήματα στην συμπίεση.
- Χρησιμοποιήστε λάδι εστέρα, λάδι αιθέρα ή αλκυλιοβενζόλη (μικρή ποσότητα) σαν ψυκτικό λάδι, για την επίστρωση διαπλάτυσης και τις συνδέσεις φλάντζας.
  - Το ψυκτικό λάδι αν αναμιχθεί με μεγάλη ποσότητα ορυκτέλαιου, θα αλλοιωθεί.
- Για να γεμίσετε το σύστημα, χρησιμοποιείτε ψυκτικό υγρό.
  - Αν χρησιμοποιηθεί ψυκτικό αέριο για να σφραγιστεί το σύστημα, θα αλλάξει η σύνθεση του ψυκτικού στον κύλινδρο και μπορεί να διακοπεί η λειτουργία.
- Μην χρησιμοποιείτε ψυκτικό διαφορετικό από το R410A.
  - Εάν κάποιο άλλο ψυκτικό (R22, κλπ.) αναμιχθεί με το R410A, το χλώριο που περιέχεται στο ψυκτικό μπορεί να προκαλέσει αλλοίωση στο ψυκτικό λάδι.
- Χρησιμοποιήστε μία αεροστεγή αντλία με ρυθμιστική βαλβίδα αντιστροφής ροής.
  - Το λάδι της αεροστεγούς αντλίας μπορεί να ρέσει προς τα πίσω μέσα στον ψυκτικό κύκλο και έτσι να αλλοιωθεί το ψυκτικό λάδι.
- Μην χρησιμοποιείτε τα παρακάτω εργαλεία τα οποία χρησιμοποιούνται με συνηθισμένα ψυκτικά. (Πολλαπλός μετρητής, σωλήνας φόρτισης, ανιχνευτής διαρροής αερίου, ρυθμιστική βαλβίδα αντιστροφής ροής, βάση φόρτισης ψυκτικού, μετρητής κενού αέρος, εξοπλισμός αναπλήρωσης ψυκτικού)
  - Αν το συνηθισμένο ψυκτικό και ψυκτικό λάδι αναμιχθούν με το R410A, μπορεί να προκληθεί αλλοίωση του ψυκτικού.
  - Αν αναμιχθεί νερό με το R410A, μπορεί να αλλοιωθεί το ψυκτικό λάδι.

- Επειδή το R410A δεν περιέχει καθόλου χλώριο, οι ανιχνευτές διαρροής αερίου των συνηθισμένων ψυκτικών δεν θα αντιδράσουν σε αυτό.
- Μην χρησιμοποιείτε κύλινδρο γόμωσης.
  - Χρησιμοποιώντας κύλινδρο γόμωσης, μπορεί να αλλοιωθεί το ψυκτικό μίγμα.
- Να είστε ιδιαίτερα προσεκτικοί όταν χειρίζεστε τα εργαλεία.
  - Αν εισέλθουν νερό, σκόνη ή βρωμιά στον ψυκτικό κύκλο, μπορεί να αλλοιωθεί η ποιότητα του ψυκτικού.

## 1.3. Πριν από την εγκατάσταση

### ⚠ Προσοχή:

- Μην εγκαθιστάτε τη μονάδα σε μέρη όπου μπορεί να υπάρχει διαρροή εύφλεκτου αερίου.
  - Εάν υπάρχει διαρροή αερίου το οποίο συσσωρευτεί γύρω από τη μονάδα, μπορεί να προκληθεί έκρηξη.
- Μην χρησιμοποιείτε το κλιματιστικό σε μέρη όπου φυλάσσονται τρόφιμα, κατοικίδια ζώα, φυτά, όργανα ακριβείας ή έργα τέχνης.
  - Η ποιότητα των τροφίμων, κλπ. μπορεί να αλλοιωθεί.
- Μην χρησιμοποιείτε το κλιματιστικό σε ειδικό περιβάλλον.
  - Λάδι, ατμός, θειικός καπνός, κλπ., μπορεί να ελαττώσουν αισθητά την απόδοση της λειτουργίας του κλιματιστικού ή να καταστρέψουν τμήματά του.
- Όταν πρόκειται να εγκαταστήσετε το κλιματιστικό σε νοσοκομεία, σταθμούς τηλεπικοινωνίας ή παρόμοια μέρη, βεβαιωθείτε ότι εφαρμόσατε την κατάλληλη και επαρκή ηχητική μόνωση.
  - Ο εξοπλισμός μετασχηματιστών συνεχούς ρεύματος, γεννήτριες ιδιωτικής χρήσης, ιατρικά μηχανήματα υψηλής συχνότητας και πομποί ραδιοφωνίας, μπορεί να προκαλέσουν την διακεκομμένη λειτουργία του κλιματιστικού ή την ελλιπή λειτουργία του. Παράλληλα, το κλιματιστικό μπορεί να επενεργήσει σε τέτοιου είδους εξοπλισμό, δημιουργώντας ήχους που παρεμποδίζουν τόσο την θεραπευτική αγωγή όσο και την εκπομπή τηλεοπτικής εικόνας.
- Μην εγκαθιστάτε την μονάδα κατά τέτοιο τρόπο που μπορεί να προκληθεί διαρροή.
  - Όταν η υγρασία στο χώρο ξεπερνά το 80 % ή όταν έχει βουλώσει ο σωλήνας αποστράγγισης, μπορεί να στάξει η συμπύκνωση από την εσωτερική μονάδα. Εκτελέστε τις εργασίες περισυλλογής αποχέτευσης μαζί με τη μονάδα, όπως συνηθίζεται.

## 1.4. Πριν να γίνει η εγκατάσταση (ή μετακίνηση) - ηλεκτρικές εργασίες

### ⚠ Προσοχή:

- Γεώστε την μονάδα.
  - Μην συνδέσετε το καλώδιο γείωσης με σωλήνες αερίου ή νερού, αλεξικέραυνα, ή τηλεφωνικό σύρμα γείωσης. Αντικανονική γείωση ενδέχεται να προκαλέσει ηλεκτροπληξία.
- Εγκαταστήστε το καλώδιο τροφοδοσίας έτσι ώστε να μην είναι υπερβολικά τεντωμένο.
  - Υπερβολικό τέντωμα μπορεί να κάνει το καλώδιο να σπάσει και να υπερθερμανθεί προκαλώντας πυρκαγιά.
- Εγκαταστήστε έναν διακόπτη κυκλώματος διαρροής, όπως απαιτείται.
  - Εάν δεν εγκατασταθεί ένας διακόπτης κυκλώματος διαρροής, μπορεί να προκληθεί ηλεκτροπληξία.
- Χρησιμοποιήστε καλωδιακές γραμμές τροφοδοσίας επαρκούς χωρητικότητας και διαβάθμισης.
  - Καλώδια, πολύ μικρής χωρητικότητας μπορεί να παρουσιάσουν διαρροή, να υπερθερμανθούν και να προκαλέσουν πυρκαγιά.
- Χρησιμοποιήστε μόνον διακόπτη κυκλώματος και ασφάλεια της χωρητικότητας που προδιαγράφεται.
  - Μία ασφάλεια ή ένας διακόπτης κυκλώματος μεγαλύτερης χωρητικότητας ή ένα αστάλιο ή χάλκινο καλώδιο, μπορεί να κάψει την κεντρική μονάδα ή να προκαλέσει πυρκαγιά.
- Μην πλένετε τις μονάδες του κλιματιστικού.
  - Το πλύσιμο μπορεί να προκαλέσει ηλεκτροπληξία.
- Βεβαιωθείτε ότι η βάση εγκατάστασης της μονάδας δεν έχει χαλάσει απ' την πολυκαιρή χρήση.
  - Εάν η ζημιά δεν έχει διορθωθεί, η μονάδα ενδέχεται να πέσει και να προκαλέσει προσωπικούς τραυματισμούς ή υλικές ζημιές.
- Εγκαταστήστε τη σωλήνωση αποστράγγισης σύμφωνα με τις οδηγίες ετούτου του Εγχειριδίου Εγκατάστασης, ώστε να είστε σίγουροι για σωστή αποστράγγιση. Τυλίξτε με τη θερμική μόνωση τους σωλήνες, ώστε να αποφευχθεί η συμπύκνωση.
  - Ακατάλληλη σωλήνωση αποστράγγισης ενδέχεται να προκαλέσει διαρροή νερού, με αποτέλεσμα τη φθορά επίπλων ή άλλων περυσιακών στοιχείων.
- Να είστε πολύ προσεκτικοί όσον αφορά την μεταφορά του προϊόντος.
  - Το προϊόν ζυγίζει πάνω από 20 kg, δεν πρέπει να μεταφέρεται από ένα μόνον άτομο.
  - Ορισμένα προϊόντα χρησιμοποιούν ιμάντες PP στη συσκευασία τους. Μην χρησιμοποιήσετε ποτέ τους ιμάντες PP για μεταφορά. Είναι επικίνδυνα.
  - Όταν μεταφέρετε τη μονάδα, στηρίξτε την στις θέσεις που προδιαγράφονται στη βάση της μονάδας. Επίσης, στηρίξτε καλά τη μονάδα και στις τέσσερις πλευρές ώστε να μην μπορεί να γλιστρήσει από τα πλάγια.
- Αχρηστέψτε ασφαλώς τα υλικά συσκευασίας.
  - Υλικά συσκευασίας όπως καρφιά κι άλλα μεταλλικά ή ξύλινα μέρη ενδέχεται να προκαλέσουν διαξίφισμούς ή άλλους τραυματισμούς.
  - Βγάλτε και πετάξτε την συσκευασία από πλαστικές σακούλες, έτσι ώστε τα παιδιά να μην παίζουν με αυτές. Αν τα παιδιά παίζουν με πλαστικές σακούλες που δεν έχουν αχρηστευθεί, διατρέχουν τον κίνδυνο να πάθουν ασφυξία.

## 1.5. Πριν αρχίσετε την δοκιμαστική λειτουργία

### ⚠ Προσοχή:

- Ο κωδικός σφάλματος "7130" εμφανίζεται όταν ισχύουν και οι δύο από τις ακόλουθες προϋποθέσεις.
  - Η μονάδα PWFY είναι συνδεδεμένη στην εξωτερική μονάδα της σειράς Y.
  - Η έκδοση του λογισμικού είναι μία από τις καταγραφόμενες παρακάτω.
    - Σειρά PWFY: προγενέστερη της Έκδ. 1.13
    - Σειρά Y(YHM): προγενέστερη της Έκδ. 12.27
    - Σειρά Y(YJM): προγενέστερη της Έκδ. 1.31
    - Σειρά Replace Y(YJM): προγενέστερη της Έκδ. 11.31
    - Σειρά HP(ZUBADAN): προγενέστερη της Έκδ. 22.27
    - Σειρά WY: προγενέστερη της Έκδ. 12.29
- Ανοίξτε τον διακόπτη τροφοδοσίας τουλάχιστον 12 ώρες πριν την έναρξη λειτουργίας.
  - Αρχίζοντας τη λειτουργία της συσκευής αμέσως μετά το άνοιγμα του κεντρικού διακόπτη τροφοδοσίας, ενδέχεται να προκληθεί σοβαρή ζημιά σε εσωτερικά τμήματα. Κατά την εποχή διάρκειας λειτουργίας της συσκευής, αφήστε τον διακόπτη τροφοδοσίας αναμμένο.
- Μην αγγίζετε τους διακόπτες με βρεγμένα χέρια.
  - Αγγίζοντας έναν διακόπτη με βρεγμένα χέρια μπορεί να προκληθεί ηλεκτροπληξία.
- Μην αγγίζετε τις ψυκτικές σωληνώσεις κατά την διάρκεια και αμέσως μετά την λειτουργία.
  - Κατά την διάρκεια και αμέσως μετά την λειτουργία, οι ψυκτικές σωληνώσεις ενδέχεται να είναι πολύ ζεστές ή πολύ κρύες, ανάλογα με την κατάσταση του ψυκτικού που ρέει μέσα στις σωληνώσεις, το συμπιεστή και άλλα τμήματα του ψυκτικού κυκλώματος. Σε περίπτωση που αγγίζετε τις σωλήνες, τα χέρια σας ενδέχεται να πάθουν εγκαύματα ή κρυσαγήματα.

- Μην βάζετε σε λειτουργία το κλιματιστικό χωρίς να είναι τοποθετημένα τα πλαίσια και τα ασφάλιστρα.
  - Περιστρεφόμενα, καυτά ή υψηλής τάσεως μέρη μπορεί να προκαλέσουν τραυματισμούς.
- Μην κλείνετε τον διακόπτη τροφοδοσίας αμέσως μετά την διακοπή λειτουργίας.
  - Περιμένετε πάντα πέντε λεπτά το λιγότερο πριν κλείσετε τον διακόπτη τροφοδοσίας. Στην αντίθετη περίπτωση, ενδέχεται να παρουσιαστεί διακοπή νερού ή πρόβλημα.
- Μην αγγίζετε την επιφάνεια του συμπιεστή κατά τη διάρκεια του σέρβις.
  - Αν η μονάδα είναι συνδεδεμένη στην παροχή και δε λειτουργεί, λειτουργεί ο θερμομαστής στροφαλοθαλάμου του συμπιεστή.
- Μην ακουμπάτε τα πλαίσια κοντά στην έξοδο του αέρα του ανεμιστήρα με γυμνά χέρια: μπορεί να ζεσταθούν όσο λειτουργεί η μονάδα (ακόμα και αν έχει σταματήσει) ή αμέσως μετά τη λειτουργία και αποτελούν κίνδυνο εγκαυμάτων. Φοράτε γάντια για να προστατέψετε τα χέρια σας όταν πρέπει να ακουμπήσετε τα πλαίσια.
- Όσο λειτουργεί η μονάδα ή αμέσως μετά τη λειτουργία της, από την έξοδο αέρα του ανεμιστήρα μπορεί να βγαίνει καυτός αέρας. Μην τοποθετείτε τα χέρια σας πάνω από την έξοδο και μην ακουμπάτε τα πλαίσια κοντά στην έξοδο.
- Βεβαιωθείτε πως υπάρχει ελεύθερη διαδρομή για τη ροή αέρα του ανεμιστήρα.
- Οι σωλήνες νερού μπορεί να ζεσταθούν πολύ, ανάλογα με την καθορισμένη θερμοκρασία. Τυλίξτε τους σωλήνες νερού με μονωτικά υλικά για να αποφευχθούν τα εγκαύματα.

## 2. Σχετικά με το προϊόν

### ⚠ Προειδοποίηση:

- Μην χρησιμοποιείτε διαφορετικό τύπο ψυκτικού από αυτόν που υποδεικνύεται στα εγχειρίδια τα οποία συνοδεύουν τη μονάδα και στην πινακίδα.
  - Κάτι τέτοιο μπορεί να προκαλέσει θραύση της μονάδας ή των σωλήνων, είτε να έχει ως αποτέλεσμα έκρηξη ή πυρκαγιά κατά τη χρήση, την επισκευή ή τη στιγμή απόρριψης της μονάδας.
  - Επίσης, μπορεί να αποτελέσει παραβίαση των ισχυόντων νόμων.
  - Η MITSUBISHI ELECTRIC CORPORATION δεν μπορεί να θεωρηθεί υπεύθυνη για δυσλειτουργίες ή ατυχήματα που προκαλούνται από τη χρήση λανθασμένου τύπου ψυκτικού.
- Η μονάδα αυτή χρησιμοποιεί ψυκτικό μέσο τύπου R410A.

- Η σωλήνωση για τα συστήματα που χρησιμοποιούν R410A μπορεί να είναι διαφορετική από αυτήν των συστημάτων που χρησιμοποιούν συμβατικό ψυκτικό μέσο, καθώς η πίεση σχεδιασμού στα συστήματα που χρησιμοποιούν R410A είναι υψηλότερη. Για περισσότερες πληροφορίες ανατρέξτε στο Βιβλίο Τεχνικών Χαρακτηριστικών.
- Ορισμένα από τα εργαλεία και τον εξοπλισμό που χρησιμοποιούνται για τη εγκατάσταση συστημάτων που χρησιμοποιούν άλλους τύπους ψυκτικού δεν μπορούν να χρησιμοποιηθούν για τα συστήματα που χρησιμοποιούν R410A. Για περισσότερες πληροφορίες ανατρέξτε στο Βιβλίο Τεχνικών Χαρακτηριστικών.
- Μην χρησιμοποιήσετε την υπάρχουσα σωλήνωση, καθώς περιέχει χλώριο, το οποίο υπάρχει στα συμβατικά λάδια ψυκτικής μηχανής και στα ψυκτικά μέσα. Το χλώριο θα αλλοιώσει το λάδι ψυκτικής μηχανής του νέου εξοπλισμού. Η υπάρχουσα σωλήνωση δεν πρέπει να χρησιμοποιηθεί καθώς η πίεση σχεδιασμού στα συστήματα που χρησιμοποιούν R410A είναι υψηλότερη από την πίεση των συστημάτων που χρησιμοποιούν άλλους τύπους ψυκτικού κα υπάρχει κίνδυνος διάρρηξης των υπαρχόντων σωλήνων.

## 3. Τεχνικά χαρακτηριστικά

### ⚠ Προειδοποίηση:

Μην χρησιμοποιείτε διαφορετικό τύπο ψυκτικού από αυτόν που υποδεικνύεται στα εγχειρίδια τα οποία συνοδεύουν τη μονάδα και στην πινακίδα.

- Κάτι τέτοιο μπορεί να προκαλέσει θραύση της μονάδας ή των σωλήνων, είτε να έχει ως αποτέλεσμα έκρηξη ή πυρκαγιά κατά τη χρήση, την επισκευή ή τη στιγμή απόρριψης της μονάδας.
- Επίσης, μπορεί να αποτελέσει παραβίαση των ισχυόντων νόμων.
- Η MITSUBISHI ELECTRIC CORPORATION δεν μπορεί να θεωρηθεί υπεύθυνη για δυσλειτουργίες ή ατυχήματα που προκαλούνται από τη χρήση λανθασμένου τύπου ψυκτικού.

Μοντέλο	PWFY-P100VM-E-BU	PWFY-P100VM-E1-AU	PWFY-P200VM-E1-AU		
Επίπεδο ήχου	44dB<A>	29dB<A>	29dB<A>		
Ψυκτικό μέσο	R134a × 1,1 kg	-	-		
Καθαρό βάρος	60 kg	35 kg	38 kg		
Πίεση σχεδιασμού	R410A MPa	4,15	4,15		
	R134a MPa	3,60	-		
	Νερό MPa	1,00	1,00		
Συνδέσιμο Εξωτερική μονάδα	Συνολική χωρητικότητα	50~100 % της χωρητικότητας της εξωτερικής μονάδας	Μπορεί να συνδεθεί σε μία μόνο εξωτερική μονάδα	50~100 % της χωρητικότητας της εξωτερικής μονάδας	
	Μοντέλο/ Ποσότητα	Μόνο R2, Replace R2 σειρά, WR2 σειρά	Y, Replace Y σειρά, HP(ZUBADAN) σειρά, WY σειρά, R2, Replace R2 σειρά, WR2 σειρά	PUMY-P-V/YHMB(-BS)	Y, Replace Y σειρά, HP(ZUBADAN) σειρά, WY σειρά, R2, Replace R2 σειρά, WR2 σειρά
Εύρος θερμ. Θέρμανση	Εξωτερική θερμ.	-20~32 °CWB (59~90 °F)	-20~32 °CWB (-4~90 °F) PURY - σειρά -20~15,5 °CWB (-4~60 °F) PUHY - σειρά	-15~21 °CDB (5~70 °F), -15~15 °CWB (5~59 °F)	-20~32 °CWB (-4~90 °F) PURY - σειρά -20~15,5 °CWB (-4~60 °F) PUHY - σειρά
	Θερμ. εισόδου νερού	10~70 °C (50~158 °F)	10~40 °C (50~104 °F)	10~45 °C (50~113 °F)	10~40 °C (50~104 °F)
Εύρος θερμ. Ψύξη	Εξωτερική θερμ.	-	-5~43 °CDB (23~110 °F) PURY - σειρά -5~43 °CDB (23~110 °F) PUHY - σειρά	-	-5~43 °CDB (23~110 °F) PURY - σειρά -5~43 °CDB (23~110 °F) PUHY - σειρά
	Θερμ. εισόδου νερού	-	10~35 °C (50~95 °F)	-	10~35 °C (50~95 °F)

## 4. Επαλήθευση συνημμένων εξαρτημάτων

- ① Φίλτρο ② Θερμομονωτικό υλικό ③ Σύνολο συνδετήρα × 2 ④ Σύνδεσμος επέκτασης × 2 (PWFY-P200VM-E1-AU) ⑤ Σύρμα ⑥ Διακόπτης ροής (PWFY-P100/P200VM-E1-AU)

## 5. Μέθοδος ανύψωσης

### ⚠ Προσοχή:

Να είστε πολύ προσεκτικοί κατά τη μεταφορά του προϊόντος.

- Εάν το προϊόν ζυγίζει περισσότερο από 20 kg, μην το μεταφέρετε με ένα μόνον άτομο.
- Οι μάντες PP χρησιμοποιούνται για την συσκευασία μερικών προϊόντων. Μην τους χρησιμοποιείτε για να μεταφέρετε το προϊόν διότι είναι επικίνδυνοι.
- Ανοίξτε την πλαστική συσκευασία και πετάξτε την ώστε να μην μπορούν τα παιδιά να παίξουν με αυτή. Διαφορετικά, η πλαστική συσκευασία μπορεί να προκαλέσει θάνατο λόγω ασφυξίας στα παιδιά.

## 6. Εγκατάσταση της μονάδας και διαθέσιμος χώρος για επισκευή

### 6.1. Εγκατάσταση

- Χρησιμοποιώντας τις οπές στηρίξεως που φαίνονται παρακάτω, βιδώστε ερμητικά τη μονάδα στη βάση της.

[Fig. 6.1.1] (P.2)

Ⓐ 4-φ14 (Οπή στηρίξεως)

Ⓑ (Κάτοψη)

#### Βάσεις

- Βεβαιωθείτε ότι έχετε εγκαταστήσει τη μονάδα σε μέρος ανθεκτικό, που να αντέχει το βάρος της. Εάν η βάση είναι ασαθής, ενισχύστε την με μία τσιμεντένια βάση.
- Η μονάδα πρέπει να στηρίζεται σε επίπεδη επιφάνεια. Χρησιμοποιείστε ένα αλφάδι, ώστε να ελέγξετε τη μονάδα μετά την εγκατάστασή της.
- Εάν η μονάδα έχει εγκατασταθεί κοντά σε χώρο όπου ο θόρυβος δημιουργεί πρόβλημα, συνιστάται η χρησιμοποίηση υποστηρίγματος στη βάση της μονάδας προς αποφυγή των κραδασμών.

### ⚠ Προειδοποίηση:

- Βεβαιωθείτε ότι το μέρος που θα εγκαταστήσετε τη μονάδα είναι αρκετά ισχυρό ώστε να αντέχει το βάρος της. Εάν δεν είναι αρκετά ισχυρό, η μονάδα ενδέχεται να πέσει με αποτέλεσμα να τραυματισμό ατόμων.
- Εκτελέστε σωστά τις εργασίες εγκατάστασης, ώστε να προστατέψετε τη μονάδα από σεισμό. Οποιαδήποτε εσφαλμένη εγκατάσταση ενδέχεται να προκαλέσει την πτώση της μονάδας, με αποτέλεσμα σωματικό τραυματισμό.

### 6.2. Διαθέσιμος χώρος Επισκευής

- Παρακαλούμε, αφήστε αρκετό κενό χώρο για τις ακόλουθες επισκευές μετά την εγκατάσταση. (Όλες οι επισκευές μπορούν να πραγματοποιηθούν από το πρόσθιο μέρος της μονάδας.)

[Fig. 6.2.1] (P.2)

Μοντέλο	a	b	c
PWFY-P100VM-E-BU	400	300	600
PWFY-P100VM-E1-AU	400	300	600
PWFY-P200VM-E1-AU	400	300	600

Ⓐ Χώρος σωληνώσεων (δεξιά πλευρά) Ⓑ Κάτοψη

Ⓒ Διαθέσιμος χώρος επισκευών (πρόσθια πλευρά)

## 7. Εγκατάσταση σωλήνας νερού

- Πριν μια παρατεταμένη περίοδο κατά την οποία δε θα χρησιμοποιηθεί το προϊόν, αποστραγγίστε καλά το νερό από τους σωλήνες και αφήστε τους να στεγνώσουν.
- Χρησιμοποιείστε ένα κλειστό κύκλωμα νερού.
- Όταν η μονάδα βρίσκεται σε λειτουργία ψύξης, προσθέστε αλατόνερο στο νερό που κυκλοφορεί για να μην παγώνει.
- Για την χρήση αλατόνερου στο σύστημα, DipSW 1-10 να είναι ορισμένος στο ON.
- Αν εγκατασταθεί σε περιβάλλον με χαμηλή θερμοκρασία, φροντίστε να κυκλοφορεί πάντα το νερό. Αν αυτό δεν είναι δυνατό, αποστραγγίστε τελείως το νερό από τους σωλήνες ή γεμίστε τις αντλίες νερού με αλατόνερο.
- Μη χρησιμοποιείτε το νερό της μονάδας για παρασκευή ποτών ή τροφίμων.
- Μη χρησιμοποιείτε τους ασάλινους σωλήνες ως σωλήνες νερού.

- Χρησιμοποιείστε ένα κυλινδρικό περιβλήμα για να προστατέψετε τις σωλήνες, στα σημεία που εισχωρούν μέσα στον τοίχο.
- Χρησιμοποιείστε μεταλλικά προσαρτήματα για να ασφαλίσετε τους σωλήνες και εγκαταστήστε τα κατά τέτοιο τρόπο ώστε οι σωλήνες να προστατεύονται όσο γίνεται περισσότερο από λύγισμα και σπάσιμο.
- Μην μπερδεύετε τις βαλβίδες εισαγωγής και εξαγωγής νερού.
- Η μονάδα αυτή δε διαθέτει θερμοαντήρα για την πρόληψη του παγώματος στο εσωτερικό των σωλήνων. Όταν η ροή του ύδατος σταματάει σε περιοχές με χαμηλή θερμοκρασία, αδειάστε το νερό από τους σωλήνες.
- Οι μη χρησιμοποιούμενες οπές απομάκρυνσης νερού πρέπει να κλείσουν και το άνοιγμα των σωλήνων ψυκτικού μέσου, οι αντλίες νερού και οι αγωγοί ηλεκτρικού ρεύματος και μετάδοσης πρέπει να στεγανοποιηθούν με στόκο ώστε να αποτραπεί η εισχώρηση νερού.
- Εγκαταστήστε το φίλτρο με γωνία 45° ή μικρότερη, όπως φαίνεται στην [Fig.7.1.2].
- Τυλίξτε μονωτική ταινία γύρω από το βιδωτό μέρος για να εμποδίσετε τη διαρροή νερού.
- Τυλίξτε τη μονωτική ταινία ως εξής.

① Τυλίξτε το σύνδεσμο με μονωτική ταινία προς την κατεύθυνση των σπειρωμάτων (δεξιόστροφα) και μην αφήσετε την ταινία να περισσεύει από το άκρο του.

② Φροντίστε ώστε η μονωτική ταινία να επικαλύπτεται κατά τα 2/3 με 3/4 του πλάτους της σε κάθε τύλιγμα. Πίστετε την ταινία με τα δάχτυλά σας, ώστε να εφαρμόζει καλά πάνω σε κάθε σπείρωμα.

③ Αφήστε τουλάχιστον 1,5 με 2 βόλτες του σπειρωματος χωρίς να τις τυλίξετε.

- Εγκαταστήστε το παρεχόμενο φίλτρο στην είσοδο νερού.
- Κρατήστε το σωλήνα που βρίσκεται στην πλευρά της μονάδας στη θέση του με ένα κλειδί κατά την εγκατάσταση των σωλήνων ή του φίλτρου. Σφίξτε τις βίδες με ροπή 50 N·m.
- Οι σωλήνες νερού μπορεί να ζεσταθούν πολύ, ανάλογα με την καθορισμένη θερμοκρασία. Τυλίξτε τους σωλήνες νερού με μονωτικά υλικά για να αποφευχθούν τα εγκαύματα.
- Στο μοντέλο PWFY-P200VM-E1-AU, εγκαταστήστε το σύνδεσμο επέκτασης (εξάρτημα) στην είσοδο μετά την εγκατάσταση του φίλτρου, και στην έξοδο.

Παράδειγμα εγκατάστασης μονάδας (χρησιμοποιώντας σωληνώση νερού)

[Fig. 7.1.1] (P.2)

Ⓐ Βαλβίδα για κλείσιμο

Ⓑ Είσοδος νερού

Ⓒ Έξοδος νερού

Ⓓ Σωληνώση ψυκτικού

Ⓔ Διηθητικό φίλτρο τύπου Y

Ⓕ Σωλήνα αποστράγγισης

Ⓖ Σύνδεσμος επέκτασης

Μοντέλο	Είσοδος νερού	Έξοδος νερού
PWFY-P100VM-E-BU	Βίδα PT 3/4	Βίδα PT 3/4
PWFY-P100VM-E1-AU	Βίδα PT 3/4	Βίδα PT 3/4
PWFY-P200VM-E1-AU *1 Όταν έχουν εγκατασταθεί οι παρεχόμενοι σύνδεσμοι επέκτασης.	Βίδα PT 1 *1	Βίδα PT 1 *1

### 7.1. Προφυλάξεις κατά την εγκατάσταση

- Χρησιμοποιείστε τη μέθοδο αντίστροφης-επαναφοράς, ώστε να επιβεβαιωθείτε για την ανθεκτικότητα των σωλήνων της κάθε μονάδας.
- Για να εξασφαλίσετε την εύκολη συντήρηση, έλεγχο και αντικατάσταση της μονάδας, χρησιμοποιήστε στη θυρίδα εισαγωγής και εξαγωγής νερού, τον κατάλληλο σύνδεσμο, βαλβίδα κ.λ.π. Επίσης, βεβαιωθείτε ότι έχετε τοποθετήσει διηθητήρα στο σωλήνα εισαγωγής και εξαγωγής νερού. (Προκειμένου να προστατεύσετε τη μονάδα, είναι απαραίτητη η χρήση ενός διηθητήρα στην είσοδο του κυκλώματος νερού.)
- Τοποθετήστε ένα ειδικό στόμιο εξαερισμού στο σωλήνα νερού. Μετά την έναρξη ροής του νερού στο σωλήνα, βεβαιωθείτε ότι ο υπόλοιπος αέρας εξαερώθηκε.
- Είναι πιθανό να σχηματιστεί υγρασία στα τμήματα χαμηλής θερμοκρασίας της μονάδας. Χρησιμοποιείστε ένα σωλήνα αποστράγγισης συνδεδεμένο με τη βαλβίδα αποστράγγισης που βρίσκεται στη βάση της μονάδας, προκειμένου να αποστραγγίσετε το νερό.
- Πάνω στην αντλία εγκαταστήστε μία βαλβίδα προστασίας αντίστροφης ροής και έναν ελαστικό σύνδεσμο για να αποφύγετε επιπλέον κραδασμούς.

## 7.2. Εγκατάσταση μόνωσης

Η θερμοκρασία της επιφάνειας του σωλήνα νερού ενδέχεται να είναι ιδιαίτερα υψηλή, ανάλογα με την καθορισμένη θερμοκρασία. Μονώστε το σωλήνα για να αποφύγετε τα εγκαύματα. Όταν λειτουργείτε το PWFY-P100/P200VM-E1-AU με κρύο νερό, μονώστε το σωλήνα νερού για να αποτρέψετε τη δημιουργία υδρατμών. Τυλίξτε υλικό μόνωσης γύρω από τους σωλήνες νερού, όπως φαίνεται στην [Fig. 7.2.1].

- Σε οποιαδήποτε εξωτερική σωληνώση.
- Εσωτερικές σωληνώσεις σε ψυχρές περιοχές όπου οι σωληνώσεις παγώνουν δημιουργώντας πρόβλημα.
- Όταν ο αέρας που έρχεται από έξω προκαλεί συμπύκνωση που σχηματίζεται στις σωληνώσεις.
- Οποιαδήποτε σωληνώση αποστράγγισης.

[Fig. 7.2.1] (P.2)

- Ⓐ Θερμομονωτικό υλικό (εξάρτημα)
- Ⓑ Κάντε έγχυση με υλικό στεγανοποίησης

## 7.3. Διεξαγωγή νερού και έλεγχος ποιότητας νερού

Για να διατηρηθεί η ποιότητα του νερού, χρησιμοποιήστε κύκλωμα νερού κλειστού τύπου. Όταν δεν γίνεται καλή ανακύκλωση νερού, ο εναλλάκτης θερμότητας νερού μπορεί να κάνει διακοπές, οι οποίες να οδηγήσουν σε μείωση της ισχύος εναλλαγής θερμότητας και σε πιθανή σκωρίαση του εναλλάκτη θερμότητας. Παρακαλούμε, δώστε μεγάλη προσοχή κατά την εγκατάσταση του συστήματος ανακύκλωσης νερού, όσον αφορά την διεξαγωγή και τον έλεγχο ποιότητας του νερού.

- Αφαίρεση ξένων αντικειμένων και προσμίξεων από τις σωληνώσεις. Κατά την εγκατάσταση να είστε πολύ προσεκτικοί, ώστε να μην εισχωρήσουν ξένα αντικείμενα, όπως υπολείμματα επικόλλησης, κομματάκια σφράγισης ή σκουριάς στις σωληνώσεις.
- Διεξαγωγή Ποιότητας Νερού

- 1) Ανάλογα με την ποιότητα του νερού, οι χάλκινες σωληνώσεις του εναλλάκτη θερμότητας είναι πιθανό να οξειδωθούν. Συνιστάμε σε τακτά διαστήματα, την διεξαγωγή ελέγχου ποιότητας του νερού.

Τα συστήματα κυκλοφορίας νερού που χρησιμοποιούν ανοικτές δεξαμενές αποθήκευσης θερμότητας είναι ιδιαίτερα επιρρεπή στην οξείδωση.

Όταν χρησιμοποιείτε δοχείο αποθήκευσης ανοικτού τύπου, εγκαταστήστε εναλλάκτη θερμότητας νερού/νερού και χρησιμοποιήστε κύκλωμα κλειστού βρόχου στην πλευρά του κλιματιστικού. Εάν είναι εγκατεστημένο δοχείο παροχής νερού, διατηρήστε την επαφή με τον αέρα στο ελάχιστο και διατηρήστε το επίπεδο του διαλυμένου οξυγόνου στο νερό μέχρι 1mg/l κατά μέγιστο.

### Ⓐ Προδιαγραφές ποιότητας νερού

Στοιχεία	Σύστημα νερού θερμοκρασίας χαμηλότερου μεσαίου εύρους Θερμ. νερού ≤ 60 °C		Σύστημα νερού θερμοκρασίας υψηλότερου μεσαίου εύρους Θερμ. νερού > 60 °C		Τάση	
	Νερό επανακυκλοφορίας	Νερό αναπλήρωσης	Νερό επανακυκλοφορίας	Νερό αναπλήρωσης	Διαβρωτικό	Σχηματισμός αλάτων
ρΗ (25 °C)	7,0 ~ 8,0	7,0 ~ 8,0	7,0 ~ 8,0	7,0 ~ 8,0	○	○
Ηλεκτρική αγωγιμότητα (mS/m) (25 °C) (μ S/cm) (25 °C)	30 ή λιγότερο [300 ή λιγότερο]	30 ή λιγότερο [300 ή λιγότερο]	30 ή λιγότερο [300 ή λιγότερο]	30 ή λιγότερο [300 ή λιγότερο]	○	○
Ιόν χλωρίου (mg Cl/l)	50 ή λιγότερο	50 ή λιγότερο	30 ή λιγότερο	30 ή λιγότερο	○	
Θειικό ιόν (mg SO <sub>4</sub> <sup>2-</sup> /l)	50 ή λιγότερο	50 ή λιγότερο	30 ή λιγότερο	30 ή λιγότερο	○	
Κατανάλωση οξέος (pH4,8) (mg CaCO <sub>3</sub> /l)	50 ή λιγότερο	50 ή λιγότερο	50 ή λιγότερο	50 ή λιγότερο		○
Συνολική σκληρότητα (mg CaCO <sub>3</sub> /l)	70 ή λιγότερο	70 ή λιγότερο	70 ή λιγότερο	70 ή λιγότερο		○
Σκληρότητα ασβεστίου(mg CaCO <sub>3</sub> /l)	50 ή λιγότερο	50 ή λιγότερο	50 ή λιγότερο	50 ή λιγότερο		○
Ιοντική πυριτία (mg SiO <sub>2</sub> /l)	30 ή λιγότερο	30 ή λιγότερο	30 ή λιγότερο	30 ή λιγότερο		○
Σίδηρος (mg Fe/l)	1,0 ή λιγότερο	0,3 ο ή λιγότερο	1,0 ή λιγότερο	0,3 ή λιγότερο	○	○
Χαλκός (mg Cu/l)	1,0 ή λιγότερο	1,0 ή λιγότερο	1,0 ή λιγότερο	1,0 ή λιγότερο	○	
Θειούχο ιόν (mg S <sup>2-</sup> /l)	δεν πρέπει να εντοπιστεί	δεν πρέπει να εντοπιστεί	δεν πρέπει να εντοπιστεί	δεν πρέπει να εντοπιστεί	○	
Ιόν αμμωνίου (mg NH <sub>4</sub> <sup>+</sup> /l)	0,3 ή λιγότερο	0,1 ή λιγότερο	0,1 ή λιγότερο	0,1 ή λιγότερο	○	
Υπολειπόμενο χλώριο (mg Cl/l)	0,25 ή λιγότερο	0,3 ή λιγότερο	0,1 ή λιγότερο	0,3 ή λιγότερο	○	
Ελεύθερο διοξείδιο του άνθρακα (mg CO <sub>2</sub> /l)	0,4 ή λιγότερο	4,0 ή λιγότερο	0,4 ή λιγότερο	4,0 ή λιγότερο	○	
Δείκτης σταθερότητας Ryzner	-	-	-	-	○	○

Παραπομπή :Κατευθυντήρια Γραμμή για την Ποιότητα του Νερού για Εξοπλισμό Ψύξης και Κλιματισμού. (JRA GL02E-1994)

- 3) Παρακαλούμε απευθυνθείτε σε έναν ειδικό για τον έλεγχο ποιότητας νερού, όσον αφορά τις μεθόδους και τις μετρήσεις ελέγχου ποιότητας του νερού πριν προχωρήσετε σε άλλες αντιοξειδωτικές μεθόδους για την βελτίωση της ποιότητας του νερού.
- 4) Όταν πρόκειται να αντικαταστήσετε ένα πρόσφατα εγκαταστημένο σύστημα κλιματισμού (ακόμη κι αν αντικατασταθεί μόνον ο εναλλάκτης θερμότητας), πραγματοποιήστε πρώτα έναν έλεγχο και μία ανάλυση ποιότητας νερού, για πιθανή οξείδωση. Οξείδωση μπορεί να δημιουργηθεί σε συστήματα ύδρευσης κρύου νερού, ακόμη κι αν δεν υπάρχει προηγούμενη ένδειξη οξείδωσης. Εάν ο βαθμός της ποιότητας νερού δεν είναι καλός, παρακαλούμε βελτιώστε την ποιότητα του νερού πριν επανασυνδέσετε τη μονάδα.

## 7.4. Ενδασφάλεια της αντλίας

Για την πραγματοποίηση δοκιμαστικής λειτουργίας προτού ολοκληρωθεί το κύκλωμα αλληλοσύνδεσης της αντλίας, βραχυκυκλώστε τον ακροδέκτη TB142A (IN1), και μετά πραγματοποιήστε την δοκιμαστική λειτουργία.

Η μονάδα μπορεί να καταστραφεί αν λειτουργήσει χωρίς να κυκλοφορεί νερό στους σωλήνες.

<PWFY-P100VM-E-BU>

Βεβαιωθείτε ότι ενδασφάλισατε τη λειτουργία της μονάδας με την αντλία του κυκλώματος νερού. Χρησιμοποιήστε τους ακροδέκτες για ενδασφάλεια TB142A (IN1) που θα βρείτε πάνω στη μονάδα.

[Fig. 7.4.1] (P.2)

<PWFY-P100/200VM-E1-AU>

<Ενδασφάλεια της αντλίας>

Στο σύστημα που περιλαμβάνει PWFY-P100/P200VM-E1-AU, το νερό που κυκλοφορεί μπορεί να παγώσει, και να προκαλέσει δυσλειτουργία της μονάδας. Πραγματοποιήστε ηλεκτρολογικές εργασίες όπως επιδεικνύεται στο [Fig. 7.4.2] για να μην παγώνει το νερό.

<Διακόπτης ροής>

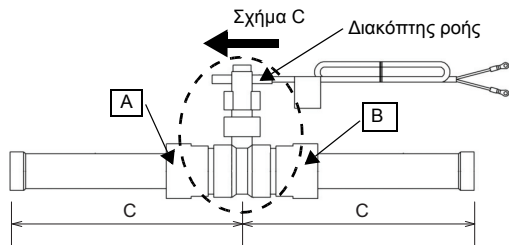
Κατά την εγκατάσταση της μονάδας, φροντίστε να εγκαταστήσετε τον παρεχόμενο διακόπτη ροής στην πλευρά εξόδου νερού της μονάδας και συνδέστε τον αγωγό στην υποδοχή IN1 της διάταξης TB142A στη μονάδα.

Εάν δεν εγκατασταθεί ο διακόπτης ροής, η μονάδα θα εκπέμπει σήμα σφάλματος (2100: Σφάλμα εμπλοκής) και δεν θα λειτουργεί.

\* Παρέχεται ένας αγωγός βραχυκύκλωσης, αλλά προορίζεται μόνο για τη δοκιμαστική λειτουργία.

<Διαδικασίες εγκατάστασης>

- 1) Αφαιρέστε τους σωλήνες που είναι προσαρτημένοι στο διακόπτη ροής. Σημείωση: Κατά τη παράδοση, οι σωλήνες είναι χαλαρά συνδεδεμένοι στη μονάδα.
- 2) Τυλίξτε μια συγκολλητική ταινία γύρω από το σπείρωμα στο άκρο των σωλήνων, ξεκινώντας από το 1,5 ή 2 σπείρωμα, και όχι πάνω από τις οπές. Τυλίξτε δύο ή τρεις φορές κατά τη φορά του σπειρώματος του σωλήνα (δεξιόστροφα). Η κάθε στρώση της ταινίας πρέπει να καλύπτει την προηγούμενη στρώση κατά 2/3 έως 3/4 του πλάτους της ταινίας. Σφίξτε τα δάχτυλά σας γύρω από το σπείρωμα και την ταινία για να πιέσετε την ταινία στο σπείρωμα. Στη συνέχεια, συνδέστε τους σωλήνες στο διακόπτη ροής, συγκρατώντας τα μέρη A και B με ένα κλειδί σύσφιξης. Η μέγιστη ροπή σύσφιξης είναι 60 N·m (611 kgf·cm).
- 3) Συνδέστε το διακόπτη ροής και τους σωλήνες στην έξοδο νερού σε κατακόρυφη θέση. Η γωνία του άξονα του σωλήνα πρέπει να είναι μικρότερη από 45 μοίρες. Ελέγξτε την κατεύθυνση του διακόπτη ροής, όπως απεικονίζεται στο Σχήμα C.
- 4) Συνδέστε τον αγωγό του διακόπτη ροής στην υποδοχή IN1 της διάταξης TB142A.



	C
PWFY-P100VM-E1-AU	175 mm
PWFY-P200VM-E1-AU	205 mm

Ορίστε τον μικροδιακόπτη όπως επιδεικνύεται στον παρακάτω πίνακα.

DipSW3-6	Εξωτερική επαφή εξόδου
ON	Σε λειτουργία όταν ο Θερμοστάτης είναι ON
OFF	Σε λειτουργία όταν η Λειτουργία είναι ON (ON από το τηλεχειριστήριο)

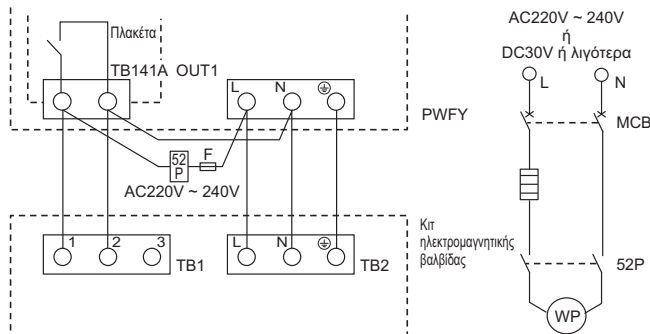
Βεβαιωθείτε ότι συνδέσατε την παροχή ισχύος για την αντλία, καθώς ο έλεγχος δεν λειτουργεί εάν δεν υπάρχει παροχή ισχύος προς την αντλία.

### <PAC-SV01PW-E>

Συνδέστε τα καλώδια όπως απεικονίζεται στο [Fig. 7.4.3] κατά την αλληλοεμπλοκή της λειτουργίας της αντλίας με άλλες μονάδες KAI τη σύνδεση kit ηλεκτρομαγνητικής βαλβίδας (PAC-SV01PW-E) σε σύστημα που περιλαμβάνει εξωτερικές μονάδες Y-series και HP (ZUBADAN)-series, εσωτερικές μονάδες και PWFY-P100/P200VM-E1-AU.

Ορίστε τη λειτουργία Dip SW3-6 στη ρύθμιση ON (ΕΝΕΡΓΟΠΟΙΗΣΗ). Βεβαιωθείτε ότι η έκδοση του λογισμικού είναι 1.18 ή μεταγενέστερη.

[Fig. 7.4.3]



F: Ασφάλεια

52P: Μαγνητικός διακόπτης για αντλία νερού πηγής θερμότητας

MCB: Διακόπτης ηλεκτρικού κυκλώματος

WP: Αντλία νερού

## 8. Προδιαγραφές σωλήνα ψυκτικού και σωλήνα αποστράγγισης

Για να αποφεύγετε το σχηματισμό δροσοσταλίδων, προσθέστε αρκετό αντι-ιδρωτικό και μονωτικό υλικό στους σωλήνες ψυκτικού και αποστράγγισης.

Όταν χρησιμοποιείτε σωλήνες της αγοράς για το ψυκτικό, φροντίστε να περιτυλίξετε μονωτικό υλικό της αγοράς (με όριο αντίστασης θερμότητας πάνω από 100 °C και πάχος που παρέχεται παρακάτω) και στους σωλήνες υγρού και στους σωλήνες αερίου.

① Εκλέξτε το πάχος του μονωτικού υλικού ανάλογα με το μέγεθος σωλήνα.

Μοντέλο	PWFY-P100VM-E-BU	PWFY-P100VM-E1-AU	PWFY-P200VM-E1-AU
Αέριο	ø15,88	ø15,88	ø19,05
Υγρό	ø9,52	ø9,52	ø9,52
Αποχέτευση		ø32	
Πάχος μονωτικού υλικού	Πάνω από 10 mm		

② Αν η μονάδα χρησιμοποιείται στον τελευταίο όροφο του κτηρίου και κάτω από συνθήκες υψηλής θερμοκρασίας και υγρασίας, είναι απαραίτητο να χρησιμοποιήσετε μέγεθος σωλήνα και πάχος μονωτικού υλικού μεγαλύτερο απ' αυτό που δίνεται στον παραπάνω πίνακα.

Επίσης φροντίστε να περιτυλίξετε μονωτικό υλικό της αγοράς (με ειδικό βάρος πολυεθυλίνης 0,03 και πάχος που παρέχεται παρακάτω) σε όλους τους σωλήνες οι οποίοι περνούν μέσα από δωμάτια.

③ Αν υπάρχουν προδιαγραφές απ' τον πελάτη, απλώς ακολουθήστε τις.

### 8.1. Σωλήνας ψυκτικού, σωλήνας αποχέτευσης και στόμιο γεμίσματος

[Fig. 8.1.1] (P.3)

- Ⓐ Σωλήνωση ψυκτικού (αέριο)
- Ⓑ Σωλήνωση ψυκτικού (υγρό)
- Ⓒ Είσοδος νερού
- Ⓓ Έξοδος νερού
- Ⓔ Έξοδος αποχέτευσης
- \*1: PWFY-P100/200VM-E1-AU

## 9. Σύνδεση σωλήνων ψυκτικού και αποστράγγισης

### 9.1. Σωλήνωση ψυκτικού

Η εργασία αυτή σωληνώσεων πρέπει να γίνεται σύμφωνα με τις οδηγίες στα εγχειρίδια εγκατάστασης τόσο της εξωτερικής μονάδας όσο και του μηχανισμού ελέγχου BC (μοντέλα της σειράς R2 ταυτόχρονου κλιματισμού κρύου και θερμού αέρα).

- Τα μοντέλα της σειράς R2 είναι σχεδιασμένα έτσι ώστε να λειτουργούν σε σύστημα όπου ο σωλήνας ψυκτικού από την εξωτερική μονάδα καταλήγει στο μηχανισμό ελέγχου BC και από εκεί διακλαδίζεται για να γίνεται η σύνδεση με τις εσωτερικές μονάδες.
- Για περιορισμούς σχετικά με το μήκος σωλήνα και δεκτές διαφορές ύψους, βλέπετε τις οδηγίες εξωτερικής μονάδας.
- Η μέθοδος σύνδεσης σωλήνων είναι με ξεχυλωμένο άκρο.

#### ⚠ Προσοχή:

• Εγκαταστήστε τις ψυκτικές σωληνώσεις για την εσωτερική μονάδα σύμφωνα με τα παρακάτω.

1. Κόψτε την άκρη του σωλήνα της εσωτερικής μονάδας, βγάλτε το αέριο κι έπειτα αφαιρέστε το καπάκι συγκόλλησης.

[Fig. 9.1.1] (P.3)

- Ⓐ Κόψτε εδώ
- Ⓑ Αφαιρέστε το καπάκι συγκόλλησης

2. Τραβήξτε προς τα έξω τη θερμική μόνωση της καθορισμένης ψυκτικής σωληνώσης, συγκολλήστε τη σωληνωση της μονάδας και επανατοποθετήστε τη μόνωση στην αρχική της θέση.

Περιτυλίξτε τη σωληνωση με μονωτική ταινία.

#### Σημείωση:

• Δώστε μεγάλη προσοχή όταν περιτυλίξετε τους χάλκινους σωλήνες γιατί το τύλιγμα μπορεί να προκαλέσει τη δημιουργία συμπύκνωσης αντί να την προλαμβάνει.

\* Πριν τη συγκόλληση της σωληνώσης του ψυκτικού, να τυλίγετε πάντα τη σωληνωση στο κύριο σώμα και τη σωληνωση θερμικής μόνωσης με υγρά πανιά για να αποτρέψετε τη σμίκρυνση λόγω θερμότητας και το κάψιμο της θερμικά μονωμένης σωληνώσης. Να προσέχετε για να βεβαιωθείτε πως η φλόγα δεν έρχεται σε επαφή με το ίδιο το κύριο σώμα.

[Fig. 9.1.2] (P.3)

- Ⓐ Θερμική μόνωση
- Ⓑ Τραβήξτε
- Ⓒ Τυλίξτε με υγρό πανί
- Ⓓ Επαναφέρετε στην αρχική θέση
- Ⓔ Βεβαιωθείτε ότι δεν υπάρχει κενό εδώ.
- Ⓕ Περιτυλίξτε με μονωτική ταινία

#### Σημεία προσοχής στη σωληνωση ψυκτικού

- ▶ Βεβαιωθείτε ότι χρησιμοποιείτε για τις χαλκοσυγκολλήσεις χαλκό που δεν οξειδώνεται ώστε να μην εισέρχονται μέσα στον σωλήνα ξένα αντικείμενα ή υγρασία.
- ▶ Φροντίστε να βάλετε λάδι ψυκτικής μηχανής στις συνδέσεις με ξεχειλωμένα άκρα και σφίξτε τις συνδέσεις χρησιμοποιώντας ένα διπλό κλειδί.
- ▶ Τοποθετήστε ένα μεταλλικό στήριγμα για την υποστήριξη του σωλήνα ψυκτικού ούτως ώστε να μην πιέζεται με το βάρος το άκρο του σωλήνα της εσωτερικής μονάδας. Αυτό το μεταλλικό στήριγμα πρέπει να τοποθετείται 50 cm από την ξεχειλωμένη σύνδεση της εσωτερικής μονάδας.



### ⚠ Προειδοποίηση:

- Μη χρησιμοποιείτε διαφορετικό τύπο ψυκτικού από αυτόν που υποδεικνύεται στα εγχειρίδια τα οποία συνοδεύουν τη μονάδα και στην πινακίδα.
  - Κάτι τέτοιο μπορεί να προκαλέσει θραύση της μονάδας ή των σωλήνων, είτε να έχει ως αποτέλεσμα έκρηξη ή πυρκαγιά κατά τη χρήση, την επισκευή ή τη στιγμή απόρριψης της μονάδας.
  - Επίσης, μπορεί να αποτελέσει παραβίαση των ισχυόντων νόμων.
  - Η MITSUBISHI ELECTRIC CORPORATION δεν μπορεί να θεωρηθεί υπεύθυνη για δυσλειτουργίες ή ατυχήματα που προκαλούνται από τη χρήση λανθασμένου τύπου ψυκτικού.
- Όταν κάνετε την εγκατάσταση και μετακινείτε τη μονάδα σε άλλη θέση, μη φορτίζετε με άλλο ψυκτικό μίγμα, από το ψυκτικό που προδιαγράφεται πάνω στη μονάδα (R407C ή R22).
  - Αναμειγνύοντας ένα διαφορετικό ψυκτικό μίγμα, αέρα, κλπ. ενδέχεται να προκληθεί βλάβη στον ψυκτικό κύκλο με αποτέλεσμα σοβαρή ζημιά.

### ⚠ Προσοχή:

- Χρησιμοποιήστε ψυκτικές σωληνώσεις κατασκευασμένες από C1220 (Cu-DHP) αποξειδωμένο φωσφορικό χαλκό ως προδιαγραφόμενο στα JIS H3300 "Σωλήνες και αγωγοί χωρίς ραφές, από χαλκό και πρόσμιξη κράματος χαλκού". Επίσης, βεβαιωθείτε ότι οι εσωτερικές και εξωτερικές επιφάνειες των σωλήνων πρέπει να είναι καθαρές και να μην περιέχουν επικίνδυνο θειάφι, οξείδια, σκόνη/βρωμιά, κόκκους ρινίσματος, λάδια, υγρασία ή οποιοδήποτε άλλες προσμίξεις.
- Μη χρησιμοποιείτε ποτέ τις παλιές σωληνώσεις ψυκτικού.
  - Η μεγάλη ποσότητα χλωρίου στο συνηθισμένο ψυκτικό και το ψυκτικό λάδι στην παλιά σωληνώση, θα προκαλέσουν την αλλοίωση του νέου ψυκτικού.
- Αποθηκεύστε τις σωληνώσεις που θα χρησιμοποιηθούν για την εγκατάσταση σε εσωτερικό χώρο και φυλάξτε και τα δύο άκρα των σωληνώσεων σφραγισμένα μέχρις ότου γίνει η συγκόλληση.
  - Εάν τυχόν εισέλθουν σκόνη, βρωμιά ή νερό στον ψυκτικό κύκλο, ενδέχεται να αλλοιωθεί η ποιότητα του λαδιού ή να δημιουργηθούν προβλήματα στο συμπιεστή.

## 9.2. Σωλήνωση αποστράγγισης

- Εξασφαλίστε ότι οι σωλήνες αποστράγγισης είναι προς τα κάτω (κλίση πάνω από 1/100) προς την πλευρά (εκβολής) της εξωτερικής μονάδας. Μην τοποθετείτε ουδέμία παγίδα ή ανωμαλία στην γραμμή. (1)
- Εξασφαλίστε ότι οποιοδήποτε διαγώνιο σωλήνες αποστράγγισης είναι κάτω από 20 m μήκος (εκτός από τη διαφορά ανύψωσης). Αν η σωλήνωση αποστράγγισης είναι μεγάλου μήκους, τοποθετήστε μεταλλικά στηρίγματα για τη σταθεροποίηση της σωληνώσης. Μην τοποθετείτε ποτέ σωλήνες εξαέρωσης διότι μπορεί να γίνει εκβολή της αποστράγγισης.
- Χρησιμοποιήστε σωλήνα από σκληρό χλωρικό βινύλιο VP-25 (με εξωτερική διάμετρο 32 mm) για τη σωλήνωση αποχέτευσης.
- Βεβαιωθείτε ότι οι ομάδες σωλήνων βρίσκονται 10 cm χαμηλότερα από το στόμιο αποχέτευσης του σώματος της μονάδας που φαίνεται στο 2.
- Μην τοποθετείτε παγίδες κακοσμίας στο στόμιο εκβολής της αποστράγγισης.
- Τοποθετήστε το άκρο του σωλήνα αποχέτευσης σε μία θέση όπου δε δημιουργείται κακοσμία.

## 10. Ηλεκτρικές καλωδιώσεις

### Προφυλάξεις στην ηλεκτρική καλωδίωση

#### ⚠ Προειδοποίηση:

Η ηλεκτρική εργασία πρέπει να εκτελείται από εξειδικευμένους ηλεκτρικούς μηχανολόγους και σύμφωνα με τα "Μηχανολογικά Πρότυπα Για Ηλεκτρικές Εγκαταστάσεις" και τις οδηγίες εγκατάστασης που παρέχονται με το προϊόν. Πρέπει επίσης να χρησιμοποιηθούν ειδικά κυκλώματα. Αν το κύκλωμα ισχύος δεν έχει αρκετή χωρητικότητα ή αν γίνει διακοπή της εγκατάστασης, μπορεί να δημιουργηθεί κίνδυνος ηλεκτροπληξίας ή πυρκαϊάς.

- Εξασφαλίστε ότι η λήψη ρεύματος γίνεται από το κύκλωμα ειδικού κλάδου.
- Φροντίστε να εγκαταστήσετε μία ασφάλεια με διακόπτη στο κύκλωμα ισχύος.
- Εγκαταστήστε τη μονάδα με τέτοιο τρόπο ούτως ώστε να αποφεύγετε την επαφή οποιοδήποτε από τα καλώδια κυκλώματος ελέγχου (ελεγκτής εξ αποστάσεως, καλώδια μεταφοράς ή εξωτερική γραμμή εισόδου/εξόδου) με το καλώδιο ρεύματος έξω από τη μονάδα.
- Φροντίστε να μην υπάρχει καθόλου χαλάρωμα σε όλες τις καλωδιώσεις.
- Μερικά καλώδια (ρεύμα, ελεγκτής εξ αποστάσεως, καλώδια μεταφοράς ή εξωτερική γραμμή εισόδου/εξόδου) πάνω από τα ταβάνι, μπορεί να φαγωθούν από ποντίκια. Χρησιμοποιήστε όσο το δυνατόν πιό πολλούς μεταλλικούς σωλήνες για να περάσουν από μέσα τα καλώδια για προστασία.

#### 1. Καλώδια μεταφοράς PWFY-P100VM-E-BU

	Καλώδια μεταφοράς	Καλώδια ελεγκτού εξ αποστάσεως MA	Εξωτερική είσοδος	Εξωτερική είσοδος
Τύπος καλωδίου	Προστατευτικό καλώδιο (δίκλωνο) CVVS, CPEVS ή MVVS	Θωρακισμένο δίκλωνο καλώδιο (με προστασία) CVVS	Θωρακισμένο πολύκλωνο καλώδιο (με προστασία) CVVS ή MVVS	Θωρακισμένο πολύκλωνο καλώδιο (με προστασία) CVVS ή MVVS
Διάμετρος καλωδίου	Πάνω από 1,25 mm <sup>2</sup>	0,3 ~ 1,25 mm <sup>2</sup> (0,75 ~ 1,25 mm <sup>2</sup> )*1	0,3 ~ 0,5 mm <sup>2</sup>	0,3 ~ 1,25 mm <sup>2</sup>
Παρατηρήσεις	-	Μεγ. μήκος: 200 m	Μεγ. μήκος: 100 m	Ονομαστική τάση: L1-N: 220 - 240 V Ονομαστικό φορτίο: 0,6 A

- Μην τοποθετείτε το άκρο του σωλήνα αποχέτευσης σε οποιοδήποτε οχετό όπου είναι πιθανό να δημιουργούνται ιονικά αέρια.

#### [Fig. 9.2.1] (P.3)

- A Κλίση προς τα κάτω 1/100 ή περισσότερο
- B Σωλήνας αποχέτευσης
- C Μονάδα
- D Σωλήνωση συλλογής
- E Ελαχιστοποιήστε αυτό το μήκος σε περίπου 10 cm εκ

## 9.3. Σύνδεση ηλεκτρικών επαφών

Επαληθεύστε ότι η ονομασία μοντέλου στις οδηγίες λειτουργίας στο κάλυμμα του κουτιού ελέγχου, είναι όμοια με την ονομασία μοντέλου στο ειδικό πλαίσιο ονομασίας.

Ενέργεια 1

Αφαιρέστε τις βίδες που συγκρατούν στη θέση του το κάλυμμα κιβωτίου τερματικών.

#### [Fig. 9.3.1] (P.3)

- A Βίδες
- B Κιβώτιο ελέγχου
- C Μπροστινός πίνακας

#### Σημείωση:

Όταν τοποθετείτε το κάλυμμα του κιβωτίου τερματικών, βεβαιωθείτε ότι τα καλώδια δεν συμπιέζονται. Τα καλώδια μπορεί να κοπούν, αν συμπιέζονται.

#### ⚠ Προσοχή:

Συνδέστε τα καλώδια, προσέχοντας να μην είναι σφιχτά και τεντωμένα. Όταν τα καλώδια είναι υπερβολικά τεντωμένα, μπορεί να σπάσουν ή να υπερθερμανθούν και να καούν.

- Κάντε τη σύνδεση της εξωτερικής εισόδου/εξόδου του ηλεκτρικού καλωδίου με το κουτί ελέγχου με δακτύλιο απόσβεσης για δύναμη τάνυσης ώστε να αποτρέψετε την ηλεκτροπληξία. (σύνδεση PG ή παρόμοια.) Συνδέστε την καλωδίωση μετάδοσης στον ακροδέκτη μετάδοσης, μέσω της προκατασκευασμένης σπής στο κιβώτιο ελέγχου, χρησιμοποιώντας κοινή μόνωση για σωλήνες.
- Μετά την ολοκλήρωση της καλωδίωσης βεβαιωθείτε για άλλη μία φορά, ότι δεν υπάρχει μπόσικο στις συνδέσεις και τοποθετήστε το κάλυμμα του κιβωτίου ελέγχου, εκτελώντας αντίστροφα τη σειρά κινήσεων αφαίρεσής του.

#### [Fig. 9.3.2] (P.3)

- A Προκειμένου να αποφύγετε εξωτερική τάση ισχύος, από την εφαρμογή του τμήματος σύνδεσης της καλωδίωσης στον ακροδέκτη παροχής ρεύματος, χρησιμοποιείστε μονωτικούς σωλήνες τύπου PG ή παρόμοιους.
- B Καλώδιο εισόδου εξωτερικού σήματος
- C Καλώδιο εξόδου εξωτερικού σήματος
- D Καλώδιο παροχής ρεύματος
- E Τάση ισχύος
- F Χρησιμοποιήστε κοινή μόνωση για σωλήνες
- G Καλώδιο μετάδοσης και καλώδιο τηλεχειριστηρίου MA

#### ⚠ Προσοχή:

Συνδέστε το καλώδιο παροχής ρεύματος, έτσι ώστε να μην μεταδίδεται τάση, διαφορετικά μπορεί να προκληθούν αποσύνδεση, θερμότητα ή πυρκαγιά.

- Δεν πρέπει ποτέ να συνδέετε το ηλεκτρικό καλώδιο με τα καλώδια μετάδοσης. Εάν το κάνετε τα καλώδια θα σπάσουν.
- Φροντίστε να συνδέσετε τα καλώδια ελέγχου στην εσωτερική μονάδα και στην εξωτερική μονάδα.
- Φροντίστε να γείωσετε τη μονάδα.
- Εκλέξτε τα καλώδια ελέγχου από τις συνθήκες που περιέχονται στη σελίδα 73.

#### ⚠ Προσοχή:

Φροντίστε να τοποθετήσετε τη μονάδα στο έδαφος προς την πλευρά της εξωτερικής μονάδας. Μη συνδέετε το καλώδιο γείωσης σε οποιοδήποτε σωλήνα αερίου, σωλήνα νερού, αλεξικέραυνο ή γείωση τηλεφωνικής γραμμής. Η ατελής γείωση μπορεί να προκαλέσει κίνδυνο ηλεκτροπληξίας.

### Τύποι καλωδίων ελέγχου

#### 1. Καλώδια καλωδίωσης μεταφοράς

- Τύποι καλωδίων μεταφοράς
- Σχεδιάστε την καλωδίωση σύμφωνα με τον ακόλουθο πίνακα <Πίνακας 1>.
- Φροντίστε να χρησιμοποιήσετε τα καλώδια που παρέχονται με τη συμπληρωματική μόνωση.

	Καλώδια μεταφοράς	Καλώδια ελεγκτού εξ αποστάσεως MA	Εξωτερική είσοδος	Εξωτερική είσοδος
Τύπος καλωδίου	Προστατευτικό καλώδιο (δίκλωνο) CVVS, CPEVS ή MVVS	Θωρακισμένο δίκλωνο καλώδιο (με προστασία) CVVS	Θωρακισμένο πολύκλωνο καλώδιο (με προστασία) CVVS ή MVVS	Θωρακισμένο πολύκλωνο καλώδιο (με προστασία) CVVS ή MVVS
Διάμετρος καλωδίου	Πάνω από 1,25 mm <sup>2</sup>	0,3 ~ 1,25 mm <sup>2</sup> (0,75 ~ 1,25 mm <sup>2</sup> )*1	0,3 ~ 0,5 mm <sup>2</sup>	0,3 ~ 1,25 mm <sup>2</sup>
Παρατηρήσεις	-	Μεγ. μήκος: 200 m	Μεγ. μήκος: 100 m	Ονομαστική τάση: L1-N: 220 - 240 V Ονομαστικό φορτίο: 0,6 A

\*1 Συνδέθηκε με απλό ελεγκτή εξ αποστάσεως. CVVS, MVVS : Θωρακισμένο καλώδιο ελέγχου με μόνωση PVC και επικάλυψη από PVC  
CVV, MVV : Καλώδιο ελέγχου με μόνωση PVC και θωράκιση από PVC  
CPEVS : Θωρακισμένο καλώδιο επικοινωνίας με μόνωση PE και επικάλυψη από PVC

## 10.1. Καλωδίωση παροχής ρεύματος

- Τα καλώδια ηλεκτρικής παροχής του εξοπλισμού δεν πρέπει να είναι ελαφρύτερα από τις προδιαγραφές του σχεδίου 245 IEC 57 ή 227 IEC 57.
- Κατά την εγκατάσταση του κλιματιστικού πρέπει να τοποθετηθεί διακόπτης με τουλάχιστον 3 mm διαχωρισμό των επαφών σε κάθε πόλο.

## ΗΛΕΚΤΡΟΛΟΓΙΚΕΣ ΕΡΓΑΣΙΕΣ

### 1. Ηλεκτρικά χαρακτηριστικά

Μοντέλο	Τροφοδοσία				Συμπίεστης		RLA (A)
	Hz	Βολτ	Εύρος τάσης	MCA (A)	Έξοδος (kW)	SC (A)	Θέρμανση
PWFY-P100VM-E-BU	50/60	220-230-240 V	Μεγ. 264 V Ελαχ. 198 V	15,71	1,0	1,25	11,63-11,12-10,66

Μοντέλο	Τροφοδοσία				RLA (A)	
	Hz	Βολτ	Εύρος τάσης	MCA (A)	Ψύξη	Θέρμανση
PWFY-P100VM-E1-AU PWFY-P200VM-E1-AU	50/60	220-230-240 V	Μεγ. 264 V Ελαχ. 198 V	0,085	0,068-0,065-0,063	

### 2. Τεχνικά χαρακτηριστικά καλωδίου τροφοδοσίας

Μοντέλο	Ελάχιστο πάχος καλωδίου (mm <sup>2</sup> )			Διακόπτης για διαρροή ρεύματος	Τοπικός διακόπτης (A)		Διακόπτης για καλωδίωση (NFB) (A)
	Κεντρικό καλώδιο	διακλάδωση	Γείωση		χωρητικότητα	ασφάλεια	
PWFY-P100VM-E-BU	2,5	-	2,5	30 A 30 mA 0,1 δευτερόλεπτα ή λιγότερο	25	25	30

Μοντέλο	Συνολικό ρεύμα λειτουργίας	Ελάχιστο πάχος καλωδίου (mm <sup>2</sup> )			Διακόπτης για διαρροή ρεύματος	Τοπικός διακόπτης (A)		Διακόπτης για καλωδίωση (NFB) (A)
		Κεντρικό καλώδιο	διακλάδωση	Γείωση		χωρητικότητα	ασφάλεια	
PWFY-P100VM-E1-AU PWFY-P200VM-E1-AU	16 A ή λιγότερο	1,5	1,5	1,5	20 A 30 mA 0,1 δευτερόλεπτα ή λιγότερο	16	16	20
	25 A ή λιγότερο	2,5	2,5	2,5	30 A 30 mA 0,1 δευτερόλεπτα ή λιγότερο	25	25	30
	32 A ή λιγότερο	4,0	4,0	4,0	40 A 30 mA 0,1 δευτερόλεπτα ή λιγότερο	32	32	40

[Fig. 10.1.1] (P.4)

- Ⓐ Διακόπτης για διαρροή ρεύματος
- Ⓑ Τοπικός διακόπτης ή διακόπτης καλωδίωσης
- Ⓒ PWFY-P100VM-E-BU
- Ⓓ PWFY-P100/200VM-E1-AU
- Ⓔ Κουτί που τραβιέται

### ⚠ Προσοχή:

Μη χρησιμοποιείτε οπδήποτε άλλο εκτός από το διακόπτη και την ασφάλεια σωστής χωρητικότητας. Η χρήση σύρματος ασφάλειας με μεγαλύτερη χωρητικότητα μπορεί να προκαλέσει κίνδυνο βλάβης ή πυρκαϊάς.

## 10.2. Σύνδεση ελεγκτού εξ αποστάσεως, καλωδίων μεταφοράς εξωτερικών και εσωτερικών μονάδων

(Ο ελεγκτής εξ αποστάσεως διατίθεται προαιρετικά)

- Συνδέστε τη μονάδα TB5 και την εξωτερική μονάδα TB3. (Διπλό μη-πολικό καλώδιο (θωρακισμένο))  
Το "S" στη μονάδα TB5 είναι μία σύνδεση καλωδίου προστασίας. Για προδιαγραφές σχετικά με τη σύνδεση καλωδίων, βλέπετε τις οδηγίες εγκατάστασης της εξωτερικής μονάδας.
- Τοποθετήστε τον ελεγκτή εξ αποστάσεως σύμφωνα με τις οδηγίες που παρέχονται με τον ελεγκτή εξ αποστάσεως.
- Συνδέστε τα τερματικά "1" και "2" του TB15 της μονάδας σε ένα τηλεχειριστήριο MA. (Χρησιμοποιήστε δύο μη πολικό καλώδια.)

[Fig. 10.2.1] (P.4) Τηλεχειριστήριο MA

- DC 10 σε 13 V μεταξύ 1 και 2 (Τηλεχειριστήριο MA)

[Fig. 10.2.2] (P.4) Τηλεχειριστήριο MA

- Το τηλεχειριστήριο MA δεν μπορεί να χρησιμοποιηθεί ταυτόχρονα ή εναλλακτικά.
  - Ⓐ Μη πολωμένο
  - Ⓑ TB15 (Καλώδια τηλεχειριστηρίου MA)
  - Ⓒ Τηλεχειριστήριο MA
  - Ⓓ TB5 (Καλώδια μεταφοράς)
  - Ⓔ TB2 (Καλωδίωση παροχής ρεύματος)

### Σημείωση:

Όταν τοποθετείτε το κάλυμμα του κιβωτίου τερματικών, βεβαιωθείτε ότι τα καλώδια δεν συμπίεζονται. Τα καλώδια μπορεί να κοπούν, αν συμπίεζονται.

### ⚠ Προσοχή:

- Χρησιμοποιήστε καλώδιο με συμπληρωματική μόνωση.
- Η είσοδος στα TB142A, TB142B και TB142C δε θα πρέπει να μεταφέρει τάση.

- Τα καλώδια από εξοπλισμό που έχει συνδεθεί σε εξωτερική είσοδο/έξοδο θα πρέπει να έχουν συμπληρωματική μόνωση.
- Χρησιμοποιήστε ένα μονό πολύκλωνο καλώδιο για εξωτερική είσοδο/έξοδο για να επιτρέψετε τη σύνδεση στη βίδα PG.

### ⚠ Προσοχή:

Συνδέστε το καλώδιο παροχής ρεύματος, έτσι ώστε να μην μεταδίδεται τάση, διαφορετικά μπορεί να προκληθούν αποσύνδεση, θερμότητα ή πυρκαϊά.

## 10.3. Λειτουργία εξωτερικής εισόδου/εξόδου

Είσοδος προκαθορισμένης θερμοκρασίας (εξωτερική αναλογική είσοδος: 4mA-20mA)

Η εξωτερική είσοδος πραγματοποιείται μέσω των CN421, CN422 στην πλακέτα του κυκλώματος. (Fig. 10.3.1)

Χρησιμοποιήστε τη σύνδεση που παρέχεται.

Αν δεν έχουν πραγματοποιηθεί ρυθμίσεις μέσω του τηλεχειριστηρίου MA, η θερμοκρασία αλλάζει με το ρεύμα.

Ανατρέξτε στο εγχειρίδιο οδηγιών που παραδίδεται συνόδευε το τηλεχειριστήριο MA για τον τρόπο πραγματοποίησης των ρυθμίσεων.

4 mA → 10 °C      20 mA → 70 °C

### Σημείωση:

Χρησιμοποιήστε μια συσκευή εξόδου σήματος 4-20 mA με μόνωση.

### Ακροδέκτης εξωτερικής εξόδου

Ο ακροδέκτης εξωτερικής εξόδου (ανατρέξτε στην Fig. 10.3.2) δε λειτουργεί όταν είναι ανοικτό το κύκλωμα.

Ανατρέξτε στον Πίνακα 10.3.2 για πληροφορίες σχετικά με την κάθε επαφή.

Η ένταση και η τάση του ρεύματος στο κύκλωμα προς σύνδεση στο εξωτερικό τερματικό εξόδου (TB141A OUT1) πρέπει να τηρούν τις ακόλουθες προϋποθέσεις.

Μέγιστη τάση επαφής	Μέγιστη ένταση επαφής	
	AC250V	1A ή λιγότερο
	AC125V	3A ή λιγότερο
	DC30V	3A ή λιγότερο

**Πίνακας 10.3.2**

OUT1	ΕΝΕΡΓΟΠΟΙΗΣΗ / ΑΠΕΝΕΡΓΟΠΟΙΗΣΗ λειτουργίας
OUT2	Απόψυξη
OUT3	Συμπίεστής
OUT4	Σήμα σφάλματος

**Ακροδέκτης εξωτερικής εισόδου**

Το μήκος του αγωγού θα πρέπει να είναι μικρότερο από 100 m.

Ο ακροδέκτης εξωτερικής εισόδου (ανατρέξτε στην Fig. 10.3.3) δεν λειτουργεί όταν είναι ανοικτό το κύκλωμα.

Ανατρέξτε στον Πίνακα 10.3.3 μέσω του Πίνακα 10.3.5 για πληροφορίες σχετικά με την κάθε επαφή.

Μόνο η λειτουργία "αλληλοασφάλιση αντλίας" δε λειτουργεί όταν το κύκλωμα έχει βραχυκυκλωθεί.

Συνδέστε ένα κύκλωμα ρελέ στον ακροδέκτη εξωτερικής εξόδου όπως φαίνεται στην Fig. 7.4.1.

Οι προδιαγραφές του κυκλώματος ρελέ που θα συνδεθεί θα πρέπει να πληρούν τις παρακάτω συνθήκες.

Ονομαστική τάση επαφής  $\geq$  DC15V

Ονομαστικό ρεύμα επαφής  $\geq$  0,1A

Ελάχιστο φορτίο  $\leq$  1mA σε DC

**Πίνακας 10.3.3****<PWFY-P100VM-E-BU>**

TB142A

IN1	Αλληλοασφάλιση αντλίας
-----	------------------------

**<PWFY-P100/200VM-E1-AU>**

TB142A

IN1	Διακόπτης ροής
-----	----------------

**Πίνακας 10.3.4**

TB142B

IN3	Απαίτηση σύνδεσης
IN4	ΕΝΕΡΓΟΠΟΙΗΣΗ / ΑΠΕΝΕΡΓΟΠΟΙΗΣΗ λειτουργίας

**Πίνακας 10.3.5**

TB142C

COM+	Κοινό
IN5*1	Ζεστό νερό/Θέρμανση
IN6*2	Θέρμανση ECO
IN7*3	Αντιψυκτικό

\*1 PWFY-P100VM-E-BU Ζεστό νερό

PWFY-P100/200VM-E1-AU Θέρμανση

\*2 Αποτελεσματικό όταν το SW 4-3 έχει ρυθμιστεί στη θέση ON.

\*3 Αποτελεσματικό όταν το SW 4-4 έχει ρυθμιστεί στη θέση ON.

\*4 Όταν ορίζετε τις λειτουργίες Θέρμανση ECO ή Αντιψυκτικό, επαναφέρετε την τροφοδοσία σε όλες τις μονάδες (εξωτερικές/εσωτερικές μονάδες).

**10.4. Ρύθμιση διευθύνσεων**

(Εξασφαλίστε ότι κατά τη διάρκεια εργασίας, ο διακόπτης ρεύματος είναι κλειστός)

**[Fig. 10.4.1] (P.4)**

&lt;Πίνακας διευθύνσεων&gt;

• Υπάρχουν δύο τύποι ρύθμισης περιστρεφόμενου διακόπτη: ρύθμιση διευθύνσεων 1 – 9, και πάνω από 10, και ρύθμιση αριθμών διακλαδώσεων.

① Μέθοδος ρύθμισης διευθύνσεων

Παράδειγμα: Αν η διεύθυνση είναι "3", αφήστε το SWU2 (για πάνω από 10) στο "0", και τοποθετήστε το SWU1 (για 1 – 9) στο "3".

② Μέθοδος ρύθμισης των αριθμών διακλαδώσεων SWU3 (Μόνο για τη σειρά R2)

Αντιστοιχίστε το σωλήνα ψυκτικού της εσωτερικής μονάδας με τον αριθμό τελικής σύνδεσης του ελεγκτή BC. Να απομένουν τα άλλα εκτός του R2 στο "0".

• Οι περιστρεφόμενοι διακόπτες είναι όλοι τοποθετημένοι από το εργοστάσιο στη θέση "0". Αυτοί οι διακόπτες μπορούν να χρησιμοποιηθούν για να ρυθμίσετε τις διευθύνσεις και τους αριθμούς διακλαδώσεων της μονάδας με τον τρόπο που θέλετε.

• Ο καθορισμός των διευθύνσεων εσωτερικής μονάδας διαφέρει ανάλογα με το σύστημα στο χώρο εργασίας. Ρυθμίστε τις διευθύνσεις σύμφωνα με το Βιβλίο Προδιαγραφών.

**11. Πληροφορίες σχετικά με πινακίδα στοιχείων****⚠ Προειδοποίηση:**

**Μη χρησιμοποιείτε διαφορετικό τύπο ψυκτικού από αυτόν που υποδεικνύεται στα εγχειρίδια τα οποία συνοδεύουν τη μονάδα και στην πινακίδα.**

- Κάτι τέτοιο μπορεί να προκαλέσει θραύση της μονάδας ή των σωλήνων, είτε να έχει ως αποτέλεσμα έκρηξη ή πυρκαγιά κατά τη χρήση, την επισκευή ή τη στιγμή απόρριψης της μονάδας.
- Επίσης, μπορεί να αποτελέσει παραβίαση των ισχυόντων νόμων.
- Η MITSUBISHI ELECTRIC CORPORATION δεν μπορεί να θεωρηθεί υπεύθυνη για δυσλειτουργίες ή ατυχήματα που προκαλούνται από τη χρήση λανθασμένου τύπου ψυκτικού.

Μοντέλο		PWFY-P100VM-E-BU	PWFY-P100VM-E1-AU	PWFY-P200VM-E1-AU
Ψυκτικό μέσο (kg)	R134a	1,1	–	–
	R410A	4,15	4,15	4,15
Επιτρεπόμενη πίεση (MPa)	R134a	3,60	–	–
	νερό	1,0	1,0	1,0
Καθαρό βάρος (kg)		60	35	38

1. Меры предосторожности.....	76	7.2. Установка изоляции.....	80
1.1. Перед установкой прибора и выполнением электроработ.....	76	7.3. Обработка воды и контроль за качеством воды.....	80
1.2. Меры предосторожности для приборов, в которых используется хладагент R410A.....	77	7.4. Электроблокировка насоса.....	80
1.3. Перед выполнением установки.....	77	8. Технические условия трубы хладагента и дренажной трубы.....	81
1.4. Выполнение электроработ до установки (перемещения).....	77	8.1. Трубопровод хладагента, дренажная труба и заливное отверстие.....	81
1.5. Перед началом пробной эксплуатации.....	78	9. Соединение труб хладагента и дренажных труб.....	81
2. Информация об изделии.....	78	9.1. Прокладка труб хладагента.....	81
3. Технические характеристики.....	78	9.2. Прокладка дренажных труб.....	82
4. Подтверждение комплектности.....	79	9.3. Выполнение электросоединений.....	82
5. Перемещение прибора.....	79	10. Электрическая проводка.....	82
6. Установка прибора и пространство для обслуживания прибора.....	79	10.1. Проводка подачи электропитания.....	83
6.1. Установка.....	79	10.2. Подсоединение пульта дистанционного управления, кабелей передачи внутри и снаружи.....	83
6.2. Пространство для обслуживания прибора.....	79	10.3. Функционирование внешнего входа/выхода.....	84
7. Установка труб жидкости.....	79	10.4. Установка адресов.....	84
7.1. Меры предосторожности во время установки.....	79	11. Информация на табличке с техническими данными.....	84

## 1. Меры предосторожности

### 1.1. Перед установкой прибора и выполнением электроработ

- ▶ До установки прибора убедитесь, что Вы прочли все “Меры предосторожности”.
- ▶ “Меры предосторожности” содержат важные указания по технике безопасности. Убедитесь, что Вы им следуете.

#### Символика, используемая в тексте

##### ⚠ Предупреждение:

Описывает меры предосторожности, необходимые для предотвращения получения травмы или гибели пользователя.

##### ⚠ Осторожно:

Описывает меры предосторожности, необходимые для предотвращения повреждения прибора.

#### Символика, используемая в иллюстрациях

⊘ : Указывает действие, которое следует избегать.

⚠ : Указывает на важную инструкцию.

⚡ : Указывает, что данная часть должна быть заземлена.

⚠ : Опасайтесь электрошока (Этот символ указан на этикетке основного прибора.) <Цвет: желтый>

⚠ : Будьте осторожны, чтобы не прикоснуться к горячей поверхности

##### ⚠ Предупреждение:

Внимательно прочтите текст на этикетках главного прибора.

##### ⚠ Предупреждение:

- Если провод питания поврежден, производитель, обслуживающий персонал произво ителя или квалифицированный персонал должен его заменить, чтобы исключить опасность для пользователей.
- Данное устройство не предназначено для использования лицами (включая детей) со сниженными физическими, сенсорными и умственными способностями, а также лицами, без достаточных знаний и опыта, за исключением случаев, когда устройство используется под присмотром или руководством человека, ответственного за безопасность таких лиц.
- Не используйте хладагент другого типа, кроме указанного в руководствах из комплекта поставки блока и на паспортной табличке.
  - Это может повлечь за собой прорыв трубопроводов или блока либо стать причиной взрыва или возгорания в процессе эксплуатации, ремонта или утилизации блока.
  - Также это может нарушать действующее законодательство.
  - MITSUBISHI ELECTRIC CORPORATION не несет ответственности за неисправности или несчастные случаи, причиной которых стало использование хладагента неподходящего типа.
- Не используйте в качестве водяных труб стальные трубы.
  - Рекомендуется использовать медные трубы.
- Водяной контур должен быть замкнутым.
- Обратитесь к дилеру или квалифицированному технику для выполнения установки кондиционера воздуха.
  - Неправильная установка, выполненная пользователем, может вызвать утечку воды, электрошок или пожар.
- Устанавливайте прибор в месте, способном выдержать его вес.
  - Недостаточно прочное основание может вызвать падение прибора и привести к травме.

- Не прикасайтесь к устройству. Поверхность устройства может быть горячей.
- Не устанавливайте устройство в местах, где образуется коррозионный газ.
- Используйте указанные кабели для электропроводки. Выполняйте соединения с соблюдением требований безопасности, чтобы кабели не приводили к повреждению клемм.
  - Недостаточно надежные соединения могут вызвать перегрев и стать причиной пожара.
- Подготовьтесь к дождям, атмосферным осадкам и землетрясениям и установите прибор в соответствующем месте.
  - Неправильная установка может вызвать падение прибора и причинить травму.
- Всегда используйте сетчатый фильтр и другие принадлежности, соответствующие техническим требованиям компании Mitsubishi Electric.
  - Обратитесь к услугам квалифицированного техника для установки дополнительных приспособлений. Неправильная установка, выполненная пользователем, может вызвать утечку воды, электрошок или пожар.
- Никогда не ремонтируйте прибор самостоятельно. Если требуется ремонт кондиционера воздуха, обратитесь к дилеру.
  - Если прибор неправильно отремонтирован, это может вызвать утечку воды, электрошок или пожар.
- Не прикасайтесь к трубам хладагента и водяным трубам.
  - Неправильное обращение с прибором может привести к травме.
- При работе с этим продуктом, всегда надевайте защитную спецодежду, НАПР. перчатки, полную защиту рук, т.е. комбинезон, и защитные очки.
  - Неправильное обращение с прибором может привести к травме.
- При утечке газа охлаждения во время установки проветрите помещение.
  - При контакте газа охлаждения с огнем будут выделяться ядовитые газы.
- Устанавливайте устройство согласно инструкциям, приведенным в данном Руководстве по установке.
  - Неправильная установка может вызвать утечку воды, электрошок или пожар.
- Все электроработы должны выполняться квалифицированным лицензированным электриком согласно “Электротехническим Стандартам” и “Нормам проведения внутренней проводки” и инструкциям, приведенным в данном руководстве; всегда используйте отдельную схему.
  - При недостаточной мощности источника питания или неправильном выполнении электроработ может возникнуть электрошок или пожар.
- Не допускайте попадания на электрические детали воды (используемой для мытья и т.д.).
  - Это может привести к электрошоку, пожару или задымлению.
- Надежно установите крышку (панель) коробки терминала выводов наружного прибора.
  - Если крышка (панель) коробки терминала выводов не установлена надлежащим образом, то в наружный прибор может попасть пыль или вода, что, в свою очередь, может привести к пожару или электрошоку.
- При установке кондиционера в новом месте или его перемещении не заполняйте его хладагентом, отличным от специально предназначенного для него хладагента (R410A).
  - При смешении другого хладагента или воздуха с первоначальным хладагентом может произойти сбой цикла охлаждения и прибор может быть поврежден.
- Если кондиционер установлен в небольшом помещении, необходимо принять меры для предотвращения концентрации хладагента свыше безопасных пределов в случае утечки хладагента.
  - Проконсультируйтесь с дилером относительно соответствующих мер по предотвращению превышения допустимой концентрации. В случае утечки хладагента и превышения допустимых лимитов концентрации может возникнуть опасная ситуация в связи с недостатком кислорода в помещении.

- При перемещении и повторной установке кондиционера проконсультируйтесь с дилером или квалифицированным техником.
  - Неправильная установка, выполненная пользователем, может вызвать утечку воды, электрошок или пожар.
- По завершении установки убедитесь в отсутствии утечки газа охлаждения.
  - При утечке газа охлаждения и попадании его под воздействие обогревателя, печи, духовки или другого источника тепла могут образоваться ядовитые газы.
- Не переделывайте и не изменяйте предохранительных установок на защитных устройствах.
  - При коротком замыкании и насильственном включении выключателей давления, термовыключателей или других элементов, кроме тех, которые указаны фирмой Mitsubishi Electric, может возникнуть пожар или взрыв.
- Если Вы хотите избавиться от этого изделия, проконсультируйтесь с Вашим дилером.
- Монтажник и специалист по системам должны будут обеспечить меры по предупреждению протеканий в соответствии с местными правилами или стандартами.
  - Следующие стандарты могут применяться в случае, если местные правила отсутствуют.
- Обратите особое внимание на место, например подвал (или цокольный этаж), где могут скапливаться пары хладагента, так как хладагент тяжелее воздуха.
- Необходимо наблюдать за детьми, чтобы они не играли с устройством.

## 1.2. Меры предосторожности для приборов, в которых используется хладагент R410A

### ⚠ Предупреждение:

- Не используйте хладагент другого типа, кроме указанного в руководствах из комплекта поставки блока и на паспортной табличке.
  - Это может повлечь за собой прорыв трубопроводов или блока либо стать причиной взрыва или возгорания в процессе эксплуатации, ремонта или утилизации блока.
  - Также это может нарушать действующее законодательство.
  - MITSUBISHI ELECTRIC CORPORATION не несет ответственности за неисправности или несчастные случаи, причиной которых стало использование хладагента неподходящего типа.

### ⚠ Осторожно:

- Не используйте имеющиеся трубы хладагента.
  - Использование старых труб хладагента и старого масла охлаждения, содержащих большие количества хлора, может привести к порче масла охлаждения нового прибора.
  - Хладагент R410A находится под высоким давлением, что может привести к прорыву трубы.
- Используйте трубы хладагента, изготовленные из раскисленной фосфором меди типа C1220 (Cu-DHP), как указано в JIS H3300 “Бесшовные трубы из меди и медных сплавов”. Кроме этого убедитесь, что внутренняя и внешняя поверхность труб чистая, без частиц серы, окисей, пыли/грязи, частиц стружки, масел, влаги или других загрязнений.
  - Загрязнение внутренней поверхности труб хладагента может вызвать ухудшение остаточного масла охлаждения.
- Храните предназначенные для установки трубы в помещении, герметически закрытыми с обоих концов до припайки. (Углы и другие соединения храните в пластмассовом пакете).
  - Попадание в цикл охлаждения пыли, грязи или воды, может ухудшить масло и вызвать проблемы с компрессором.
- Используйте в качестве масла охлаждения масло сложного или простого эфира или алкилбензол (небольшое количество) для покрытия раструбов и фланцевых соединений.
  - Масло охлаждения испортится при смешивании с большим количеством минерального масла.
- Используйте для заполнения системы жидкий хладагент.
  - При использовании газового хладагента для герметизации системы, состав хладагента в баллоне изменится, а рабочие показатели прибора могут ухудшиться.
- Не пользуйтесь другими хладагентами, кроме R410A.
  - При использовании другого хладагента (например, R22) в смеси с R410A, наличие в нем хлора может привести к ухудшению эксплуатационных качеств холодильного масла.
- Используйте вакуумный насос с контрольным клапаном обратного хода.
  - Масло вакуумного насоса может проникнуть обратно в цикл охлаждения и привести к ухудшению масла охлаждения.
- Не используйте указанные ниже инструменты с обычным хладагентом. (Трубопровод манометра, зарядный шланг, детектор обнаружения утечки газа, контрольный клапан, основу заряда хладагентом, оборудование для сбора хладагента)
  - Если в R410A примешан обычный хладагент и холодильное масло, хладагент может разрушиться.
  - Если в R410A примешана вода, холодильное масло может разрушиться.

- Поскольку R410A не содержит хлора, детекторы утечки газа для обычных хладагентов на него не реагируют.
- Не используйте зарядный баллон.
  - Использование зарядного баллона может вызвать ухудшение хладагента.
- Обращайтесь с инструментами особенно внимательно.
  - Попадание в цикл охлаждения пыли, грязи или воды может вызвать ухудшение масла охлаждения.

## 1.3. Перед выполнением установки

### ⚠ Осторожно:

- Не устанавливайте прибор там, где возможна утечка горючего газа.
  - При утечке газа и его скоплении около прибора может произойти взрыв.
- Не используйте кондиционер воздуха в местах содержания продуктов, домашних животных, растений, точных приборов или предметов искусства.
  - Качество продуктов и т.д. может ухудшиться.
- Не используйте кондиционер воздуха в особых условиях.
  - Наличие масел, пара, сульфурных испарений и т.д. может вызвать значительное ухудшение рабочих показателей кондиционера или повредить его элементы.
- При установке прибора в больнице, на станции связи или в аналогичном помещении обеспечьте достаточную защиту от шума.
  - Преобразовательное оборудование, частный электрогенератор, высоковольтное медицинское оборудование или оборудование для радиосвязи могут вызвать сбой в работе кондиционера или его отключение. С другой стороны, кондиционер может мешать работе такого оборудования создаваемым шумом, который нарушает ход медицинских процедур или радиовещания.
- Не устанавливайте прибор на конструкции, которая может стать причиной утечки.
  - При влажности в помещении свыше 80 % или при засорении дренажной трубы, с внутреннего прибора может капать конденсирующаяся влага. Выполняйте дренаж одновременно с устройством, когда это требуется.

## 1.4. Выполнение электроработ до установки (перемещения)

### ⚠ Осторожно:

- Заземлите прибор.
  - Не подсоединяйте провод заземления к газовой трубе, водяной трубе, громоотводу или линии заземления телефонной проводки. При неправильном заземлении может возникнуть электрошок.
- Проложите сетевую кабель так, чтобы он не был натянут.
  - Натяжение может привести к разрыву кабеля и стать источником перегрева и пожара.
- Установите прерыватель цепи, если требуется.
  - Если прерыватель цепи не установлен, это может привести к электрошоку.
- Используйте сетевую кабель достаточной мощности напряжения.
  - Кабели слишком малой мощности могут перегореть, вызвать перегрев и пожар.
- Используйте прерыватель цепи и предохранитель указанной мощности.
  - Предохранитель или прерыватель большей мощности или стальной или медный провод могут вызвать поломку прибора или пожар.
- Не мойте детали кондиционера.
  - Мытье деталей кондиционера может вызвать электрошок.
- Проявляйте осторожность, следите, чтобы установочное основание не было повреждено после длительного использования.
  - При неустранении повреждения основания прибор может упасть и причинить травму или повреждение имущества.
- Проложите дренажные трубы в соответствии с инструкциями в данном Руководстве по установке для обеспечения надлежащего дренирования. Оберните трубы термоизоляционным материалом для предотвращения конденсации.
  - Неправильная прокладка дренажных труб может вызвать утечку воды и повредить мебель и другое имущество.
- Будьте очень внимательным при транспортировке прибора.
  - Нельзя, чтобы перемещение прибора выполнял один человек, если вес прибора превышает 20 кг.
  - Для упаковки некоторых изделий используются PP (пластиковые) ленты. Не применяйте PP (пластиковые) ленты для транспортировки. Это опасно.
  - При перемещении устройства обеспечьте его опору в указанных точках основания. Также поддерживайте его в четырех точках, чтобы не допустить соскальзывания.
- Утилизируйте упаковочные материалы с соблюдением правил безопасности
  - Такие упаковочные материалы, как гвозди и другие металлические или деревянные части, могут причинить порез и другую травму.
  - Удалите пластиковый упаковочный пакет и уберите его так, чтобы он был недоступен детям. Дети могут задохнуться и умереть, если будут играть с пластиковым упаковочным пакетом.

## 1.5. Перед началом пробной эксплуатации

### ⚠ Осторожно:

- При следующих условиях отображается код ошибки "7130".
  - Блок PWFY подключен к внешнему блоку серии Y.
  - Используется версия программного обеспечения из приведенного ниже списка.
    - Серия PWFY: ниже версии. 1.13
    - Серия Y(YHM): ниже версии. 12.27
    - Серия Y(YJM): ниже версии. 1.31
    - Серия Replace Y(YJM): ниже версии. 11.31
    - Серия HP(ZUBADAN): ниже версии. 22.27
    - Серия WY: ниже версии. 12.29
- Подключите электропитание прибора не менее чем за 12 часов до начала работы.
  - Запуск прибора сразу после подключения сетевого питания может серьезно повредить внутренние части прибора. Сетевой выключатель должен оставаться во включенном положении в течение всего периода эксплуатации прибора.
- Не прикасайтесь к выключателям мокрыми руками.
  - Прикосновение к выключателю мокрыми руками может вызвать электршок.
- Не прикасайтесь к трубам хладагента во время работы и сразу после выключения прибора.
  - В течение и сразу после эксплуатации прибора трубы хладагента могут быть горячими или холодными, в зависимости от условий протекающего в трубах, компрессоре и других элементах цикла охлаждения хладагента. Вы можете обжечь или обморозить руки при прикосновении к трубам хладагента.

- Не используйте кондиционер воздуха, если его панели и крышки сняты.
  - Вращающиеся, горячие части или части под напряжением могут причинить травму.
- Не отключайте питание немедленно после выключения прибора.
  - Всегда подождите не менее пяти минут до отключения питания. Иначе может возникнуть утечка воды и другие проблемы.
- Не прикасайтесь к поверхности компрессора во время обслуживания.
  - Если устройство подсоединено к питанию, и не функционирует, нагреватель картера компрессора будет работать.
- Не прикасайтесь голыми руками к панелям возле выходного отверстия вентилятора: они могут стать горячими во время работы устройства (даже если оно остановлено) или непосредственно после завершения его работы, что несет в себе риск получения ожогов. Если необходимо прикасаться к панелям, наденьте перчатки для защиты рук.
- Во время работы устройства и непосредственно после ее завершения, из выходного отверстия вентилятора может выходить воздух, имеющий высокую температуру. Не держите руки над выходным отверстием и не прикасайтесь к панелям возле него.
- Обязательно обеспечьте путь для воздуха, выходящего от вентилятора.
- В зависимости от установленной температуры водяные трубы могут нагреться очень сильно. Оберните водяные трубы изоляционным материалом, чтобы предотвратить ожоги.

## 2. Информация об изделии

### ⚠ Предупреждение:

- Не используйте хладагент другого типа, кроме указанного в руководствах из комплекта поставки блока и на паспортной табличке.
  - Это может повлечь за собой прорыв трубопроводов или блока либо стать причиной взрыва или возгорания в процессе эксплуатации, ремонта или утилизации блока.
  - Также это может нарушать действующее законодательство.
  - MITSUBISHI ELECTRIC CORPORATION не несет ответственности за неисправности или несчастные случаи, причиной которых стало использование хладагента неподходящего типа.
- В данном изделии применяется хладагент R410A.
- Схема трубных соединений систем, использующих хладагент R410A, может отличаться от систем, использующих хладагенты обычного типа, поскольку

рабочее давление систем, использующих R410A, выше. Для получения дополнительной информации см. технические характеристики.

- Некоторые инструменты и устройства, применяемые для монтажа систем с другими типами хладагента, не могут использоваться с системами, в которых используется R410A. Для получения дополнительной информации см. технические характеристики.
- Использование старых труб с остатками хлора, который содержится в обычном холодильном масле и хладагенте, может привести к порче холодильного масла хладагента нового прибора. Наличие хлора вызовет ухудшение свойств холодильного масла новой установки. Также существующие трубы не могут быть использованы по причине более высокого рабочего давления в системах, использующих R410A, что может привести к разрыву труб.

## 3. Технические характеристики

### ⚠ Предупреждение:

Не используйте хладагент другого типа, кроме указанного в руководствах из комплекта поставки блока и на паспортной табличке.

- Это может повлечь за собой прорыв трубопроводов или блока либо стать причиной взрыва или возгорания в процессе эксплуатации, ремонта или утилизации блока.
- Также это может нарушать действующее законодательство.
- MITSUBISHI ELECTRIC CORPORATION не несет ответственности за неисправности или несчастные случаи, причиной которых стало использование хладагента неподходящего типа.

Модель		PWFY-P100VM-E-BU	PWFY-P100VM-E1-AU	PWFY-P200VM-E1-AU
Уровень шума		44dB<A>	29dB<A>	29dB<A>
Хладагент		R134a × 1,1 kg	-	-
Вес нетто		60 kg	35 kg	38 kg
Расчётное давление	R410A МПа	4,15	4,15	4,15
	R134a МПа	3,60	-	-
	Вода МПа	1,00	1,00	1,00
Подключаемое Наружный блок	Суммарная мощность	50~100 % мощности наружного блока		Подключается только к одному наружному блоку
	Модель/Количество	Только R2, серия Replace R2, серия WR2	Y, серия Replace Y, серия HP(ZUBADAN), серия WY, R2, серия Replace R2, серия WR2	PUMY-P-V/YHMB(-BS)
Диапазон температур Обогрев	Наружная температура	-20~32 °CWB (59~90 °F)	-20~32 °CWB (-4~90 °F) PURY - серия -20~15,5 °CWB (-4~60 °F) PUHY - серия	-15~21 °CDB (5~70 °F), -15~15 °CWB (5~59 °F)
	Температура поступающей воды	10~70 °C (50~158 °F)	10~40 °C (50~104 °F)	10~45 °C (50~113 °F)
Диапазон температур Охлаждение	Наружная температура	-	-5~43 °CDB (23~110 °F) PURY - серия -5~43 °CDB (23~110 °F) PUHY - серия	-
	Температура поступающей воды	-	10~35 °C (50~95 °F)	-

## 4. Подтверждение комплектности

- ① Сетчатый фильтр    ② Теплоизоляционный материал    ③ Соединительные комплекты × 2    ④ Компенсатор теплового расширения × 2 (PWFY-P200VM-E1-AU)    ⑤ Провод    ⑥ Переключатель потока (PWFY-P100/P200VM-E1-AU)

## 5. Перемещение прибора

### ⚠ Внимание:

Будьте очень внимательны при транспортировке прибора.

- Нельзя, чтобы перемещение прибора выполнял один человек, если вес прибора превышает 20 kg.
- Для упаковки некоторых изделий используются пластиковые ленты. Не применяйте их для транспортировки, это опасно.
- Разорвите пластиковую упаковку и утилизируйте ее. Не разрешайте детям играть с пластиковой упаковкой. Играя с пластиковым пакетом, ребенок может задохнуться.

## 6. Установка прибора и пространство для обслуживания прибора

### 6.1. Установка

- Используя анкерные отверстия, изображенные ниже, плотно привинтите прибор к основанию болтами.

[Fig. 6.1.1] (P.2)

- Ⓐ 4-ø14 (Анкерное отверстие)    Ⓑ (Вид сверху)

#### Основания

- Убедитесь в том, что место установки прибора достаточно прочно, чтобы выдержать его вес. Если фундамент неустойчив, усильте его бетонным основанием.
- Анкерную установку прибора необходимо производить на ровной поверхности. После установки проверьте с помощью уровня.
- Если прибор устанавливается в месте, где шум нежелателен, на основание для крепления прибора рекомендуется устанавливать виброзащитный стэнд.

### ⚠ Предупреждение:

- **Обязательно устанавливайте прибор на достаточно прочном основании, которое выдержит вес прибора. Недостаточно прочное основание может вызвать падение прибора, что причинит личную травму.**
- **Устанавливайте прибор так, чтобы он был защищен от землетрясения. Любой дефект установки может вызвать падение прибора, что приведет к личной травме.**

### 6.2. Пространство для обслуживания прибора

- При установке пожалуйста обеспечьте следующее пространство для обслуживания. (Все работы по обслуживанию можно проводить с лицевой стороны прибора)

[Fig. 6.2.1] (P.2)

Модель	a	b	c
PWFY-P100VM-E-BU	400	300	600
PWFY-P100VM-E1-AU	400	300	600
PWFY-P200VM-E1-AU	400	300	600

- Ⓐ Пространство для прокладки труб (справа)    Ⓑ Вид сверху  
Ⓒ Пространство для обслуживания (лицевая сторона)

## 7. Установка труб жидкости

- Перед длительным перерывом в эксплуатации слейте воду из труб и дайте им хорошо высохнуть.
- Используйте замкнутый водяной контур.
- В режиме охлаждения блока добавляйте в циркулирующую воду соляной раствор для предотвращения замерзания.
- Для использования соляного раствора в системе необходимо установить DipSW1-10 в положение ВКЛ.
- При установке устройства в месте с низкой температурой, поддерживайте постоянную циркуляцию воды. Если это невозможно, полностью слейте воду из труб или заполните трубы рассолом.
- Не используйте воду из этого устройства для питья или приготовления пищи.
- Не используйте в качестве водяных труб стальные трубы.

Модель	Впускное отверстие для воды	Выходное отверстие для воды
PWFY-P100VM-E-BU	Винт PT 3/4	Винт PT 3/4
PWFY-P100VM-E1-AU	Винт PT 3/4	Винт PT 3/4
PWFY-P200VM-E1-AU *1 В случае установки прилагаемых компенсаторов теплового расширения.	Винт PT 1*1	Винт PT 1*1

### 7.1. Меры предосторожности во время установки

- Для обеспечения надлежащего трубного сопротивления в каждом приборе используйте метод обратного возврата.
- Для облегчения проведения сервисных работ, осмотров и замены прибора используйте надлежащие соединения, клапаны и т.д. на портах водозабора и водовыпуска. В дополнение, обязательно установите стрейнер на трубе водозабора. (Для обслуживания блока также необходим стрейнер на водозаборе циркулирующей жидкости.)
- Установите соответствующее воздушное вентиляционное отверстие на трубу жидкости. После прогона жидкости по трубе обязательно отведите избыток воздуха.
- Возможна конденсация воды на низкотемпературных отрезках блока. С помощью дренажной трубы, подсоединенной к дренажному вентилю на основании прибора, слейте воду.
- Установите клапан предотвращения обратного потока на насосе и гибкое соединение для предотвращения избыточной вибрации.

- Используйте рукав для защиты труб при проведении их через стену.
- Используйте металлические крепления для закрепления труб и устанавливайте трубы таким образом, чтобы они были максимально защищены от поломки и деформации изгибов.
- Не перепутайте вентили водозабора и водовыпуска.
- Данный прибор не оснащен обогревателем для предотвращения замерзания жидкости внутри труб. При остановке водопотока при низкой температуре окружающего воздуха необходимо слить воду из труб.
- Неиспользованные пробиваемые отверстия следует закрыть, при этом отверстия труб хладагента, водных труб, а также отверстия для проводов питания и проводов передачи следует заблокировать стекальной замазкой или сходным материалом для обеспечения защиты от воды.
- Установите сетчатый фильтр под углом 45° или меньше, как показано на [Fig. 7.1.2].
- Оберните отрезок герметизирующей ленты вокруг участка с резьбой, чтобы предотвратить протекание воды.
- Способ наложения герметизирующей ленты
  - ① Накладывайте ленту по ходу резьбы (по часовой стрелке), и следите за тем, чтобы лента не заходила за край соединения.
  - ② Лента стыкуется внахлест на каждом витке на две трети или три четверти ширины ленты. На каждом витке уплотняйте ленту пальцами, плотно прижимая ее к резьбе.
  - ③ Оставьте без обмотки последние 1,5-2 витка перед стыком.
- Установите прилагаемый сетчатый фильтр на впускном отверстии для воды.
- Во время установки труб или сетчатого фильтра удерживайте на месте трубу со стороны устройства с помощью гаечного ключа. Затяните винты до крутящего момента 50 N·m.
- В зависимости от установленной температуры водяные трубы могут нагреться очень сильно. Оберните водяные трубы изоляционным материалом, чтобы предотвратить ожоги.
- На модели PWFY-P200VM-E1-AU после установки сетчатого фильтра установите компенсатор теплового расширения (дополнительная принадлежность) на впускное и выпускное отверстия.

**Пример установки устройства (с использованием труб для воды)**

[Fig. 7.1.1] (P.2)

- Ⓐ Закройте кран    Ⓑ Водозабор  
Ⓒ Водовыпуск    Ⓓ Трубы хладагента  
Ⓔ Стрейнер развилочного типа    Ⓕ Дренажная труба  
Ⓖ Компенсатор теплового расширения

## 7.2. Установка изоляции

В зависимости от установленной температуры температура поверхности водяной трубы будет очень высокой. Изолируйте трубу, чтобы предотвратить ожоги. Во время работы PWFY-P100/P200VM-E1-AU с холодной водой изолируйте водяную трубу, чтобы предотвратить конденсацию.

Оберните изоляционный материал вокруг водяных труб, как показано [Fig. 7.2.1].

- Любая проводка труб на улице.
- Проводка труб в помещениях в климатических зонах холодных температур, где существуют проблемы с замерзанием труб.
- Когда холодный воздух с улицы приводит к образованию конденсации на трубах.
- При прокладке любых дренажных труб.

[Fig. 7.2.1] (P.2)

- Ⓐ Теплоизоляционный материал (дополнительная принадлежность)
- Ⓑ Введите вместе с уплотняющим материалом

② Стандарт качества воды

Элементы	Водяная система нижней части среднего диапазона Температура воды $\leq 60$ °C		Водяная система верхней части среднего диапазона Температура воды $> 60$ °C		Тенденция		
	Оборотная вода	Добавочная вода	Оборотная вода	Добавочная вода	Едкое	Наилеобразование	
Стандартные элементы	pH (25 °C)	7,0 ~ 8,0	7,0 ~ 8,0	7,0 ~ 8,0	7,0 ~ 8,0	○	○
	Электропроводность (mS/m) (25 °C) ( $\mu$ S/cm) (25 °C)	30 или менее [300 или менее]	30 или менее [300 или менее]	30 или менее [300 или менее]	30 или менее [300 или менее]	○	○
	Ионы хлорида (mg Cl/l)	50 или менее	50 или менее	30 или менее	30 или менее	○	
	Ионы сульфата (mg SO <sub>4</sub> <sup>2-</sup> /l)	50 или менее	50 или менее	30 или менее	30 или менее	○	
	Расход кислоты (pH4,8) (mg CaCO <sub>3</sub> /l)	50 или менее	50 или менее	50 или менее	50 или менее		○
	Общая жесткость (mg CaCO <sub>3</sub> /l)	70 или менее	70 или менее	70 или менее	70 или менее		○
	Кальциевая жесткость (mg CaCO <sub>3</sub> /l)	50 или менее	50 или менее	50 или менее	50 или менее		○
Эталонные элементы	Ионный диоксид кремния (mg SiO <sub>2</sub> /l)	30 или менее	30 или менее	30 или менее	30 или менее		○
	Железо (mg Fe/l)	1,0 или менее	0,3 или менее	1,0 или менее	0,3 или менее	○	○
	Медь (mg Cu/l)	1,0 или менее	1,0 или менее	1,0 или менее	1,0 или менее	○	
	Ионы сульфида (mg S <sup>2-</sup> /l)	не должно обнаруживаться	не должно обнаруживаться	не должно обнаруживаться	не должно обнаруживаться	○	
	Ионы аммония (mg NH <sub>4</sub> <sup>+</sup> /l)	0,3 или менее	0,1 или менее	0,1 или менее	0,1 или менее	○	
	Остаточный хлор (mg Cl/l)	0,25 или менее	0,3 или менее	0,1 или менее	0,3 или менее	○	
	Свободный диоксид углерода (mg CO <sub>2</sub> /l)	0,4 или менее	4,0 или менее	0,4 или менее	4,0 или менее	○	
Коэффициент стабильности Райзера	-	-	-	-	○	○	

Справочные материалы : Нормативы по качеству воды для холодильного оборудования и оборудования кондиционирования воздуха (JRA GL02E-1994)

- ③ Пожалуйста проконсультируйтесь у специалиста по методам контроля качества воды о методах контроля качества воды и о расчете качества перед тем, как использовать антикоррозийные растворы для обеспечения качества воды.
- ④ При замене ранее установленного устройства кондиционирования воздуха (даже если производится только замена теплообменника), сначала проведите анализ качества воды и проведите проверку на возможную коррозию. Коррозия в системах циркуляции холодной воды может иметь место даже при отсутствии признаков коррозии в прошлом. При снижении качества воды пожалуйста откорректируйте его до необходимых стандартов перед заменой прибора.

## 7.4. Электроблокировка насоса

Для выполнения тестового запуска при отсутствии цепи блокировки насоса замкните клеммную колодку TB142A (IN1) и выполните тестовый запуск.

В случае эксплуатации без воды, циркулирующей по трубам, устройство может быть повреждено.

<PWFY-P100VM-E-BU>

Обязательно заблокируйте работу прибора и работу насоса циркуляции жидкости. Для электроблокировки используйте блоки концевиков TB142A (IN1), расположенные на приборе.

[Fig. 7.4.1] (P.2)

<PWFY-P100/200VM-E1-AU>

<Электроблокировка насоса>

В системе с PWFY-P100/P200VM-E1-AU циркулирующая вода может замерзнуть, что приведет к неисправности изделия. Выполните проводку согласно [Fig. 7.4.2] для предотвращения замерзания воды.

<Переключатель потока>

При установке устройства не забудьте установить переключатель потока из комплекта поставки на стороне водовыпуска устройства и подключить провод к IN1 на TB142A.

Если переключатель потока не установлен, устройство выдаст сигнал ошибки (2100: ошибка блокировки) и не будет работать.

\* В комплект поставки входит проволочная перемычка, однако она предназначена только для тестового прогона.

<Процедуры установки>

- ① Снимите все трубы, прикрепленные к переключателю потока.

Примечание: На момент поставки все трубы слабо затянуты.

## 7.3. Обработка воды и контроль за качеством воды

Чтобы сохранить качество воды, используйте водяной контур закрытого типа. Когда качество циркулирующей жидкости низкое, на водном теплообменнике возможно образование накипи, что приводит к снижению эффективности теплообмена и возможной коррозии теплообменника. Пожалуйста обратите особое внимание на обработку воды и на контроль за ее качеством при установке системы циркулирующей жидкости.

- Удаление посторонних предметов или загрязнений из внутренностей труб. Во время установки следите за тем, чтобы посторонние предметы, такие как частицы окислы от сварки, частицы герметизирующих материалов или пыль, не попали в трубы.
- Контроль за качеством воды

- ① В зависимости от качества воды возможна коррозия медных труб теплообменника. Мы рекомендуем проводить систематический контроль за качеством воды.

Системы циркуляции воды, работающие по принципу подогрева водонакопителей открытым теплом, особенно уязвимы для коррозии.

При использовании бака-накопителя теплоты открытого типа установите водный теплообменник и применяйте замкнутый контур на стороне кондиционера воздуха. При установке бака подачи воды сведите его контакт с воздухом к минимуму и поддерживайте уровень растворенного в воде кислорода не более 1 mg/l.

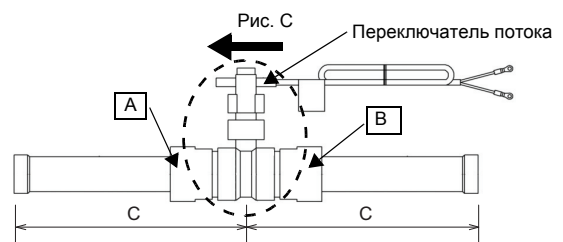
- ② Намотайте герметизирующую ленту на резьбу на концах труб, начиная с 1,5-го или 2-го витка и не закрывая отверстия. Сделайте три-четыре витка по направлению резьбы (по часовой стрелке). Каждый виток ленты должен перекрывать предыдущий на 2/3—3/4 ширины ленты. Обожмите резьбу пальцами и плотно придавите к ней ленту. Затем прикрепите трубы к переключателю потока, удерживая части A и B гаечным ключом. Максимальный момент затяжки составляет 60 Н·м (611 kgf·cm).

- ③ Прикрепите переключатель потока и трубы к водовыпуску в горизонтальном положении.

Угол оси трубы не должен превышать 45 градусов.

Проверьте направление переключателя потока, как показано на рис. C

- ④ Подключите провод переключателя к IN1 на TB142A.





	С
PWFY-P100VM-E1-AU	175 mm
PWFY-P200VM-E1-AU	205 mm

Установите DipSW как показано в таблице внизу.

DipSW3-6	Внешний выходной контакт
ВКЛ	Действует при ВКЛ режиме обогрева
ВЫКЛ	Действует при ВКЛ режиме работы (удаленный контроллер ВКЛ)

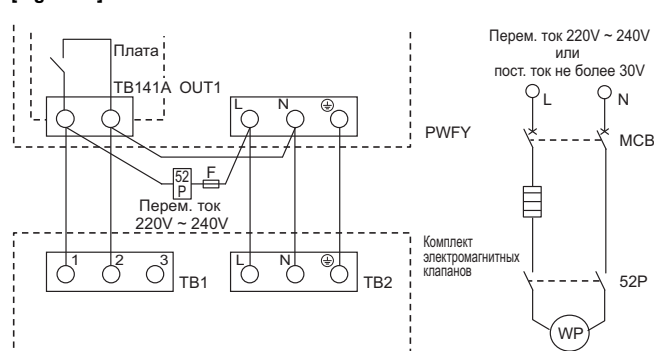
Не забудьте включить питание насоса, поскольку при отсутствии питания на насосе управление не работает.

#### <PAC-SV01PW-E>

Подключите согласно схеме на [Fig. 7.4.3], замыкая работу насоса с другими блоками И подключив комплект электромагнитных клапанов (PAC-SV01PW-E) к системе, включающей наружные блоки серий Y, HP(ZUBADAN), внутренние блоки и PWFY-P100/P200VM-E1-AU.

Установите переключатель 3-6 в положение ON (Вкл.). Убедитесь, что используется программное обеспечение версии 1.18 и выше.

[Fig. 7.4.3]



- F: предохранитель  
 52P: электромагнитный контактор для водяного насоса источника тепла  
 MCB: прерыватель  
 WP: водяной насос

## 8. Технические условия трубы хладагента и дренажной трубы

Обеспечьте достаточную защиту от конденсации и изоляцию трубы хладагента и дренажной трубы, чтобы предотвратить образование влаги.

Если используются имеющиеся в массовой продаже трубы хладагента, обязательно оберните изоляционный материал (имеющийся в широкой продаже, обладающий устойчивостью к температуре свыше 100 °C и толщиной, указан-

ной в таблице ниже) вокруг труб с жидкостью и с газом.

Также обязательно оберните имеющимся в широкой продаже изоляционным материалом (с удельным весом полиэтилена 0,03 и толщиной, указанной в таблице ниже) все трубы, проходящие в помещении.

① Толщину изоляционного материала выбирайте в соответствии с размером труб.

Модель	PWFY-P100VM-E-BU	PWFY-P100VM-E1-AU	PWFY-P200VM-E1-AU
Газ	ø15,88	ø15,88	ø19,05
Жидкость	ø9,52	ø9,52	ø9,52
Дренаж		ø32	
Толщина изоляционного материала	Свыше 10 mm		

② Если прибор используется на самом верхнем этаже здания, в условиях высокой температуры и влажности, необходимо использовать трубы большего размера и изоляционный материал большей толщины по сравнению с теми параметрами, которые указаны в таблице выше.

③ Если имеются технические условия заказчика, следуйте им.

### 8.1. Трубопровод хладагента, дренажная труба и заливное отверстие

[Fig. 8.1.1] (P.3)

- Ⓐ Труба хладагента (газ)                      Ⓑ Труба хладагента (жидкость)  
 Ⓒ Водозабор                                      Ⓓ Водовыпуск  
 Ⓔ Дренажное отверстие                      \*1: PWFY-P100/200VM-E1-AU

## 9. Соединение труб хладагента и дренажных труб

### 9.1. Прокладка труб хладагента

Это соединение труб должно быть выполнено в соответствии с руководствами по установке внешнего прибора и регулятора BC (серия приборов R2, обеспечивающих охлаждение и обогрев).

- Серия приборов R2 сконструирована так, чтобы работать в системе, в которой труба хладагента от внешнего прибора принимается регулятором BC и разветвляется по регулятору BC для соединения между внутренними приборами.
- Ограничения параметров длины трубы и допустимые перепады возвышения указаны в руководстве к прибору, предназначенному для установки снаружи.
- Методом трубного соединения является метод пайки.

#### ⚠ Осторожно:

- Установите трубы хладагента для внутреннего прибора в соответствии со следующими инструкциями.

1. Обрежьте конец трубы внутреннего прибора, удалите газ, затем удалите припаянный колпачок.

[Fig. 9.1.1] (P.3)

- Ⓐ Обрезать здесь  
 Ⓑ Удалить припаянный колпачок

2. Вытяните термоизоляцию труб хладагента на площадке, пропаяйте трубу на приборе и установите изоляцию в исходное положение.

Оберните трубы изолирующей лентой.

#### Примечание:

- Будьте очень внимательны, оборачивая медные трубы, так как оборачивание труб может привести к образованию конденсации вместо предотвращения от нее.

\* Перед пайкой трубопровода хладагента, во избежание термоусадки и возгорания термоизоляции, всегда оборачивайте трубопровод корпуса блока, а также термоизоляцию трубопровода влажной тканью. Следите, чтобы пламя не контактировало с корпусом блока.

[Fig. 9.1.2] (P.3)

- Ⓐ Термоизоляция                                      Ⓑ Потянуть  
 Ⓒ Обернуть влажной тряпкой                      Ⓓ Установить в исходное положение  
 Ⓔ Убедитесь в отсутствии здесь зазора  
 Ⓕ Оберните изолирующей лентой

### Меры предосторожности при прокладке труб хладагента

- Используйте только неокисляющийся припой для пайки с тем, чтобы предотвратить попадание в трубу посторонних веществ или влаги.
- Необходимо нанести на поверхность седла колокообразного соединения охлаждающее машинное масло и затянуть соединение двусторонним гаечным ключом.
- Установите металлическую скобу для поддержки трубы хладагента таким образом, чтобы на конечную трубу прибора, устанавливаемого внутри, не было нагрузки. Металлическая скоба должна быть установлена на расстоянии 50 см от колокообразного соединения прибора, устанавливаемого внутри.

#### ⚠ Предупреждение:

- Не используйте хладагент другого типа, кроме указанного в руководствах из комплекта поставки блока и на паспортной табличке.
  - Это может повлечь за собой прорыв трубопроводов или блока либо стать причиной взрыва или возгорания в процессе эксплуатации, ремонта или утилизации блока.
  - Также это может нарушать действующее законодательство.

- MITSUBISHI ELECTRIC CORPORATION не несет ответственности за неисправности или несчастные случаи, причиной которых стало использование хладагента неподходящего типа.

- При установке и монтаже устройства заправляйте его только хладагентом (R407C или R22), указанным на устройстве.
- Подмешивание другого хладагента, воздуха и т.д. может нарушить цикл охлаждения и стать причиной серьезного повреждения.

### ⚠ Осторожно:

- Используйте трубы хладагента, изготовленные из раскисленной фосфором меди типа C1220 (Cu-DHP), как указано в JIS H3300 "Бесшовные трубы из меди и медных сплавов". Кроме этого убедитесь, что внутренняя и внешняя поверхность труб чистая, без частиц серы, окисей, пыли/грязи, частиц стружки, масел, влаги или других загрязнений.
- Никогда не пользуйтесь имеющимися трубами хладагента.
  - Большое количество хлорина в обычном хладагенте и масле охлаждения в имеющихся трубах вызовет ухудшение нового хладагента.
- Храните трубы, предназначенные для установки, в помещении; оба конца труб должны быть герметически закрыты до непосредственного момента спайки.
  - При попадании пыли, грязи или воды в цикл охлаждения масло ухудшится и может выйти из строя компрессор.

## 9.2. Прокладка дренажных труб

1. Убедитесь, что дренажные трубы наклонены вниз (наклон свыше 1/100) к наружной (выпускной) стороне. На этом пути не должно быть никакой ловушки или помехи. (1)
2. Убедитесь, что любые поперечные дренажные трубы менее 20 м (не считая разницы в высоте). Если дренажные трубы длинные, укрепите металлические скобы, чтобы трубы были устойчивы. Никогда не устанавливайте здесь трубы воздушной вентиляции. В противном случае сток может выталкиваться обратно.
3. Используйте в качестве дренажной трубы трубу из твердого винилхлорида VP-25 (с внешним диаметром 32 мм).
4. Убедитесь в том, что собранные трубы на 10 см ниже дренажного отверстия корпуса установки, как показано на (2).
5. На выпускном дренажном канале не должно быть никаких ловушек запаха.
6. Установите дренажные трубы в такое место, где не вырабатывается запах.
7. Не устанавливайте конец дренажных труб в такой сток, где образуются ионные газы.

[Fig. 9.2.1] (P.3)

- Ⓐ Угол наклона вниз 1/100 или более
- Ⓑ Отводящий шланг
- Ⓒ Устройство
- Ⓓ Общий трубопровод
- Ⓔ Увеличьте расстояние приблизительно до 10 см

## 9.3. Выполнение электросоединений

Убедитесь в том, что название модели на инструкции по эксплуатации на крышке коробки управления и название модели на именной плате совпадают.

Шаг 1

Снимите винты, удерживающие на месте крышку коробки терминалов.

[Fig. 9.3.1] (P.3)

- Ⓐ Винты
- Ⓑ Передняя панель
- Ⓒ Коробка управления

Примечание:

Убедитесь в том, что при закрытии крышки коробки терминалов не была сдавлена электропроводка. Сдавливание электропроводки может привести к ее обрыву.

### ⚠ Осторожно:

Проводите электропроводку без натяжения и растяжения проводов. Натянутые провода могут оборваться или перегреться и сгореть.

- Прикрепите провод внешней входной/выходной линии источника питания к блоку управления с помощью буферной втулки, обеспечивающей прочность на растяжение, чтобы предотвратить поражение электрическим током. (Соединение PG или подобное.) Проведите кабели передачи к блоку терминалов передачи сквозь пробивное отверстие на коробке управления, используя обычный ввод.
- После завершения проведения электропроводки убедитесь в отсутствии ослабленных соединений, затем закрепите крышку коробки управления в порядке, обратном ее снятию.

[Fig. 9.3.2] (P.3)

- Ⓐ Для предотвращения действия внешней растягивающей силы на отрезок подсоединения электропроводки блока терминала источника электропитания используйте буферный проходной изолятор наподобие соединения PG или ему подобного.
- Ⓑ Входной кабель внешнего сигнала
- Ⓒ Выходной кабель внешнего сигнала
- Ⓓ Провод источника электропитания
- Ⓔ Растягивающая сила
- Ⓕ Используйте обычный ввод
- Ⓖ Кабель большой пропускной способности и кабель контроллера дистанционного управления MA

### ⚠ Осторожно:

Проводите провода электропитания без натяжения. В противном случае может произойти их отсоединение, перегрев или возгорание.

## 10. Электрическая проводка

### Меры предосторожности при проводке электричества

#### ⚠ Предупреждение:

Электрическая проводка должна выполняться квалифицированными электриками в соответствии со "Стандартами электротехнических работ при установке электрооборудования" и инструкциями, указанными в поставляемых руководствах. Также следует использовать специальные линии. Если мощность электролинии недостаточна, или если имеется неполадка в проводке, это может вызвать электрошок или пожар.

1. Убедитесь, что питание подается от специальной ветви цепи или специальной линии.
2. Обязательно установите прерыватель цепи с заземлением.
3. Установите устройство таким образом, чтобы предотвратить прямой контакт кабелей схемы управления (кабелей контроллера дистанционного управления, кабелей передачи или внешней входной/выходной линии) с кабелями электропитания, находящимися за пределами устройства.
4. Убедитесь в отсутствии провисания или слабину в соединениях проводов.
5. Некоторые кабели над потолком (кабели электропитания, контроллера дистанционного управления, кабели передачи или внешней входной/выходной линии) могут прокусить мыши. По возможности максимально используйте защитные металлические кожухи, в которые вставляются кабели.

#### 1. Кабели большой пропускной способности PWFY-P100VM-E-BU

	Кабели большой пропускной способности	Кабели контроллера дистанционного управления MA	Внешний вход	Внешний выход
Тип кабеля	Экранированный провод (2-жильный) CVVS, SPEVS или MVVS	2-жильный кабель в оболочке (экранированный) CVVS	Многожильный кабель в оболочке (экранированный) CVVS или MVVS	Многожильный кабель в оболочке (экранированный) CVVS или MVVS
Диаметр кабеля	Свыше 1,25 мм <sup>2</sup>	0,3 ~ 1,25 мм <sup>2</sup> (0,75 ~ 1,25 мм <sup>2</sup> )*1	0,3 ~ 0,5 мм <sup>2</sup>	0,3 ~ 1,25 мм <sup>2</sup>
Примечания	-	Максимальная длина: 200 м	Максимальная длина: 100 м	Номинальное напряжение: L1-N: 220 - 240 V Номинальная нагрузка: 0,6 A

6. Никогда не подсоединяйте силовой кабель питания к проводам для кабелей передачи. В противном случае кабели могут быть порваны.
7. Убедитесь в том, что кабели схемы управления подсоединены к прибору, установленному внутри, к пульту дистанционного управления и к прибору, установленному снаружи.
8. Обязательно выполните заземление устройства.
9. Выбирайте кабели схемы управления с учетом условий, указанных на стр. 82.

### ⚠ Осторожно:

Обязательно заземлите прибор со стороны прибора, установленного снаружи. Не соединяйте кабель заземления с каким-либо кабелем заземления газовой трубы, трубы для воды, громоотвода или телефонной линии. Недостаточное заземление может вызвать электрошок или пожар.

### Типы кабелей управления

#### 1. Проводка кабелей передачи

- Типы кабелей передачи
- Проектируйте проводку в соответствии с информацией, указанной в <Таблице 1>.
- Пользуйтесь проводами с дополнительной изоляцией.

	Кабели большой пропускной способности	Кабели контроллера дистанционного управления МА	Внешний вход	Внешний выход
Тип кабеля	Экранированный провод (2-жильный) CVVS, CPEVS или MVVS	2-жильный кабель в оболочке (экранированный) CVVS	Многожильный кабель в оболочке (экранированный) CVVS или MVVS	Многожильный кабель в оболочке (экранированный) CVVS или MVVS
Диаметр кабеля	Свыше 1,25 mm <sup>2</sup>	0,3 ~ 1,25 mm <sup>2</sup> (0,75 ~ 1,25 mm <sup>2</sup> )*1	0,3 ~ 0,5 mm <sup>2</sup>	0,3 ~ 1,25 mm <sup>2</sup>
Примечания	-	Максимальная длина: 200 m	Максимальная длина: 100 m	Номинальное напряжение: L1-N: 220 - 240 V Номинальная нагрузка: 0,6 A

\*1 Подсоединен с помощью простого контроллера дистанционного управления. CVVS, MVVS : Экранированный кабель управления с ПВХ изоляцией в ПВХ кожухе  
CVV, MVV : Кабель управления с ПВХ изоляцией в ПВХ кожухе  
CPEVS : Экранированный кабель связи с полиэтиленовой изоляцией в ПВХ кожухе

## 10.1. Проводка подачи электропитания

- Шнуры электропитания для приборов не должны быть легче промышленных образцов 245 IEC 57 или 227 IEC 57.
- При установке кондиционера необходимо использовать выключатель с зазором между контактами на каждом полюсе не менее 3 мм.

## Электротехнические работы

### 1. Электрические характеристики

Модель	Электропитание				Компрессор		RLA (A)
	Hz	Напряжение	Диапазон напряжения	MCA (A)	Мощность (kW)	SC (A)	Обогрев
PWFY-P100VM-E-BU	50/60	220-230-240 V	Макс. 264 V Мин. 198 V	15,71	1,0	1,25	11,63-11,12-10,66

Модель	Электропитание				RLA (A)	
	Hz	Напряжение	Диапазон напряжения	MCA (A)	Охлаждение	Обогрев
PWFY-P100VM-E1-AU PWFY-P200VM-E1-AU	50/60	220-230-240 V	Макс. 264 V Мин. 198 V	0,085	0,068-0,065-0,063	

### 2. Технические характеристики силового кабеля

Модель	Минимальная толщина провода (mm <sup>2</sup> )			Прерыватель в случае утечки тока	Локальный переключатель (A)		Прерыватель для проводки (NFB) (A)
	Магистральный кабель	ответвление	Заземление		мощность	плавкий предохранитель	
PWFY-P100VM-E-BU	2,5	-	2,5	30 A 30 mA 0,1 сек или меньше	25	25	30

Модель		Минимальная толщина провода (mm <sup>2</sup> )			Прерыватель в случае утечки тока	Локальный переключатель (A)		Прерыватель для проводки (NFB) (A)
		Магистральный кабель	ответвление	Заземление		мощность	плавкий предохранитель	
PWFY-P100VM-E1-AU	Полный рабочий ток	16 A или менее	1,5	1,5	20 A 30 mA 0,1 сек или меньше	16	16	20
PWFY-P200VM-E1-AU		25 A или менее	2,5	2,5	30 A 30 mA 0,1 сек или меньше	25	25	30
PWFY-P200VM-E1-AU		32 A или менее	4,0	4,0	40 A 30 mA 0,1 сек или меньше	32	32	40

#### [Fig. 10.1.1] (P.4)

- Ⓐ Прерыватель в случае утечки тока
- Ⓑ Локальный переключатель или прерыватели для проводки
- Ⓒ PWFY-P100VM-E-BU
- Ⓓ PWFY-P100/200VM-E1-AU
- Ⓔ Коробка пенального типа

#### ⚠ Осторожно:

Используйте прерыватель и предохранитель только соответствующей мощности. Использование предохранителя, провода или медного провода слишком большого номинального тока или емкости может стать причиной неполадки оборудования или пожара.

## 10.2. Подсоединение пульта дистанционного управления, кабелей передачи внутри и снаружи

(Пульт дистанционного управления поставляется по дополнительному заказу)

- Соедините блок TB5 и наружный блок TB3. (Неполяризованный 2-жильный кабель (экранированный))  
"S" на блоке TB5 представляет собой соединение экранированного провода. Технические условия соединения кабелей указаны в руководстве по установке наружного прибора.
- Установите пульт дистанционного управления, следуя инструкциям, приведенным в поставленном вместе с ним руководстве.
- Подсоедините клеммы "1" и "2" на блоке TB15 к контроллеру дистанционного управления МА. (Неполяризованный 2-жильный кабель)

#### [Fig. 10.2.1] (P.4) Контроллер ДУ "МА"

- Между 1 и 2 DC (постоянный ток) 10 – 13 V (Контроллер ДУ "МА")

#### [Fig. 10.2.2] (P.4) Контроллер ДУ "МА"

- Контроллеры дистанционного управления МА нельзя использовать одновременно или для замены друг друга.
  - Ⓐ Неполяризованный
  - Ⓑ TB15 (Кабели контроллера дистанционного управления МА)
  - Ⓒ Контроллер дистанционного управления МА
  - Ⓓ TB5 (Кабели большой пропускной способности)
  - Ⓔ TB2 (Проводка подачи электропитания)

#### Примечание:

Убедитесь в том, что при закрытии крышки коробки терминалов не была сдавлена электропроводка. Сдавливание электропроводки может привести к ее обрыву.

#### ⚠ Осторожно:

- Используйте провод с дополнительной изоляцией.
- Входы TB142A, TB142B и TB142C не должны находиться под напряжением.
- Кабели от оборудования, подсоединенного к внешнему входу/выходу, должны иметь дополнительную изоляцию.
- Используйте один многожильный кабель для внешнего входа/выхода, который может быть подсоединен с помощью винта PG.

#### ⚠ Осторожно:

Проводите провода электропитания без натяжения. В противном случае может произойти их отсоединение, перегрев или возгорание.

## 10.3. Функционирование внешнего входа/выхода

### Вход заданной температуры (внешний аналоговый вход: 4 мА - 20 мА)

Внешний входной сигнал подается через разъемы CN421, CN422 на монтажной плате. (Fig. 10.3.1)

Вспользуйтесь прилагаемым соединителем.

Если установки температуры не выполняются с помощью контроллера дистанционного управления MA, температура будет меняться с изменением тока.

Для получения более подробной информации о выполнении установок обратитесь к Руководству по эксплуатации, которое поставляется с контроллером дистанционного управления MA.

4 мА → 10 °С      20 мА → 70 °С

**Примечание:**

Пользуйтесь устройством с выходным сигналом 4-20 мА с изоляцией.

### Разъем внешнего выходного сигнала

В случае размыкания цепи, разъем внешнего выходного сигнала (см. Fig. 10.3.2) не будет функционировать.

Обратитесь к Таблице 10.3.2 для получения информации и каждом контакте.

Сила тока и напряжение цепи, подключаемой к внешней выходной клемме (ТВ141А OUT1), должны соответствовать следующим условиям.

		Номинальный ток контакта
Номинальное напряжение контакта	AC250V	1 А или меньше
	AC125V	3 А или меньше
	DC30V	3 А или меньше

Таблица 10.3.2

OUT1	Работа ON/OFF
OUT2	Размораживание
OUT3	Компрессор
OUT4	Сигнал ошибки

### Разъем внешнего входного сигнала

Длина провода не должна превышать 100 м.

В случае размыкания цепи разъем внешнего входного сигнала (см. Fig. 10.3.3) не будет функционировать.

Обратитесь к Таблицам 10.3.3 - 10.3.5 для получения информации о каждом контакте.

В случае короткого замыкания цепи не будет работать только функция "блокировка насоса".

Подсоедините релейную цепь к разъему внешнего выходного сигнала, как показано на Fig. 7.4.1.

Технические характеристики подсоединяемой цепи реле должны соответствовать следующим условиям.

Номинальное напряжение контакта  $\geq$  DC15V

Номинальный ток контакта  $\geq$  0,1A

Минимальная прикладываемая нагрузка  $\leq$  1 мА для постоянного тока

Таблица 10.3.3

<PWFY-P100VM-E-BU>

ТВ142А

IN1	Блокировка насоса
-----	-------------------

<PWFY-P100/200VM-E1-AU>

ТВ142А

IN1	Переключатель потока
-----	----------------------

Таблица 10.3.4

ТВ142В

IN3	Запрос соединения
IN4	Работа ON/OFF

Таблица 10.3.5

ТВ142С

COM+	Общий
IN5*1	Горячая вода/Обогрев
IN6*2	Обогрев ECO
IN7*3	Недопущение замерзания

\*1 PWFY-P100VM-E-BU      Горячая вода

PWFY-P100/200VM-E1-AU      Обогрев

\*2 Действительно в случае установки переключателя SW 4-3 в положение ON.

\*3 Действительно в случае установки переключателя SW 4-4 в положение ON.

\*4 При использовании режима ECO обогрева или антифриз сбросьте подачу питания на все блоки (внешние/внутренние блоки).

## 10.4. Установка адресов

(Убедитесь, что при выполнении этой работы подача электроэнергии отключена)

[Fig. 10.4.1] (P.4)

<Адресный щит>

• Имеются два способа установки поворотного переключателя: установка адресов от 1 – 9 и свыше 10, и установка номеров ветвей.

① Установка адресов

Пример: Если адрес "3", оставьте SWU2 (для свыше 10) на "0" и сопоставьте SWU1 (для 1 – 9) с "3".

② Как установить номера отделений SWU3 (Только для серии R2)

Установите номер трубы хладагента внутреннего блока равным номеру подсоединения конца контроллера BC. Оставьте другие номера, кроме R2, в значении "0".

• Все поворотные переключатели настраиваются на заводе на "0". Эти переключатели могут использоваться для задания адресов и номеров ответвлений труб по желанию.

• Определение адресов внутреннего прибора меняется при нахождении системы на сборочной площадке. Установите их с помощью справочника.

## 11. Информация на табличке с техническими данными

### ⚠ Предупреждение:

Не используйте хладагент другого типа, кроме указанного в руководствах из комплекта поставки блока и на паспортной табличке.

- Это может повлечь за собой прорыв трубопроводов или блока либо стать причиной взрыва или возгорания в процессе эксплуатации, ремонта или утилизации блока.

- Также это может нарушать действующее законодательство.

- MITSUBISHI ELECTRIC CORPORATION не несет ответственности за неисправности или несчастные случаи, причиной которых стало использование хладагента неподходящего типа.

Модель		PWFY-P100VM-E-BU	PWFY-P100VM-E1-AU	PWFY-P200VM-E1-AU
Хладагент (kg)	R134a	1,1	–	–
	R410A	4,15	4,15	4,15
Допустимое давление (MPa)	R134a	3,60	–	–
	вода	1,0	1,0	1,0
Вес нетто (kg)		60	35	38

# İçindekiler

1. Güvenlik Önlemleri.....85	7.3. Su işleme ve kalite kontrolü .....88
1.1. Montaj ve elektrik tesisatı işlerinden önce.....85	7.4. Pompa interlok bağlantısı .....89
1.2. R410A soğutucusu kullanan cihazlarla ilgili önlemler.....85	8. Soğutucu Borusu ve Drenaj Borusu Spesifikasyonları .....89
1.3. Montajdan önce.....86	8.1. Soğutucu borusu, drenaj borusu ve doldurma girişi .....89
1.4. Montajdan (yer değiştirmeden) önce elektrik işleri .....86	9. Soğutucu Borularının ve Drenaj Borularının Bağlanması .....89
1.5. Çalıştırma denemesine başlamadan önce .....86	9.1. Soğutucu tesisatı işleri .....89
2. Ürün hakkında.....86	9.2. Drenaj tesisatı işleri .....90
3. Spesifikasyonlar.....87	9.3. Elektrik bağlantılarının yapılması .....90
4. Cihazla birlikte verilen parçaların teyidi.....87	10. Elektrik Tesisatı.....90
5. Kaldırma yöntemi.....87	10.1. Elektrik besleme tesisatı.....91
6. Ünitenin montajı ve bakım çalışma alanı .....87	10.2. Uzaktan kumanda ünitesi, iç ve dış iletim kablolarının bağlanması.....91
6.1. Montaj.....87	10.3. Harici giriş/çıkış fonksiyonu .....91
6.2. Servis alanı.....87	10.4. Adreslerin düzenlenmesi.....92
7. Su borularının montajı.....87	11. Sınıflandırma plakasındaki bilgiler .....92
7.1. Montaj sırasında dikkat edilecek hususlar.....88	
7.2. İzolasyonun Montajı .....88	

## 1. Güvenlik Önlemleri

### 1.1. Montaj ve elektrik tesisatı işlerinden önce

- ▶ Cihazı çalıştırmadan önce “Güvenlik Önlemleri” nin hepsini okumalısınız.
- ▶ Güvenlikle ilgili önemli noktalar “Güvenlik Önlemleri” nde belirtilmiştir. Lütfen bunlara kesinlikle uyunuz.

#### Metinde kullanılan simgeler

##### ⚠ Uyarı:

Kullanıcının yaralanması veya ölümü ile sonuçlanabilecek tehlikeleri önlemek için alınması gereken önlemleri açıklar.

##### ⚠ Dikkat:

Cihazın hasar görmesini önlemek için alınması gereken önlemleri açıklar.

#### Resimlerde kullanılan simgeler

⊘ : Kaçınılması gereken hareketleri gösterir.

⚠ : Önemli talimatlara mutlaka uymak gerektiğini gösterir.

⚠ : Topraklanması gereken parçaları gösterir.

⚠ : Elektrik çarpmasından sakınınız. (Bu simge, ana üniteye yapıştırılmış etiket üzerinde kullanılır.) <Renk: sarı>

⚠ : Sıcak yüzeylere karşı dikkatli olun.

##### ⚠ Uyarı:

Ana üniteye yapıştırılmış olan etiketleri dikkatle okuyunuz.

##### ⚠ Uyarı:

- Elektrik kablosu hasar görmüşse, herhangi bir tehlikeye meydan vermemek için üretici, yetkili servis veya benzeri yetkili kişiler tarafından değiştirilmelidir.
- Bu cihaz, gözetim altında olmadıkları veya güvenliklerinden sorumlu bir kişi tarafından cihazın kullanımını ile ilgili talimat almadıkları sürece, fiziksel, duyu kaybı veya zihinsel yetenekleri zayıf veya tecrübe ve bilgi yetersizliği olan kişiler tarafından (çocuklar dahil) kullanılmak üzere tasarlanmamıştır.
- Üniteyle birlikte verilen kılavuzlarda ve isim plakası üzerinde belirtilen tip dışında soğutucu kullanmayın.
  - Aksi halde üniteye veya borularda patlak oluşabilir ya da ünitenin kullanımı, tamiri veya bertaraf edilmesi sırasında patlama ya da yangın meydana gelebilir.
  - Aynı zamanda uygulanabilir yasalara aykırı da olabilir.
  - MITSUBISHI ELECTRIC CORPORATION yanlış tipte soğutucu kullanmaktan kaynaklanan arızalardan veya kazalardan sorumlu tutulamaz.
- Çelik boruları su borusu olarak kullanmayın.
  - Bakır boruların kullanılması tavsiye edilir.
- Su devresi kapalı devre olmalıdır.
- Satıcıdan veya yetkili bir teknisyenden klimanın montajını yapmasını isteyiniz.
  - Kullanıcı tarafından yanlış monte edilirse su kaçaklarına, elektrik çarpmalarına ve yangına neden olur.
- Üniteyi ağırlığını çekebilecek bir yere monte edin.
  - Eğer cihaz yeterince sağlam olmayan bir yapı üzerine monte edilirse aşağıya düşerek yaralanmalara yol açabilir.
- Üniteye dokunmayınız. Ünite yüzeyi sıcak olabilir.
- Üniteyi, aşındırıcı gaz oluşan yerlere monte etmeyin.
- Elektriksel bağlantılar için yalnız belirtilen nitelikteki kabloları kullanınız. Kabloların terminalleri zorlamaması için kablo bağlantıları sağlam bir şekilde yapılmalıdır.
  - Bağlantıların veya montaj işleminin doğru yapılmaması ısınmaya veya yangına yol açabilir.
- Yağmur ve diğer nem olasılıkları ve depremlere karşı hazırlık yapın ve üniteyi belirtilen yere monte edin.

- Doğru monte edilmeyen cihazlar aşağıya düşerek hasara veya yaralanmalara yol açabilirler.

- Her zaman için bir filtre ve Mitsubishi Electric tarafından belirtilen diğer aksesuarları kullanın.

- Bütün aksesuarlar yetkili teknisyen tarafından monte edilmelidir. Doğru monte edilmeyen aksesuarlar su kaçağına, elektrik çarpmasına veya yangına yol açabilirler.

- Cihazı asla kendiniz onarmayınız. Eğer onarım gerekiyorsa satıcınıza başvurun.
  - Eğer onarım doğru yapılmazsa su kaçağı, elektrik çarpması veya yangın söz konusu olabilir.

- Soğutucu borulara ve Su borularına dokunmayınız.

- Doğru olmayan tutuş yaralanmalara yol açar.

- Bu ürünü taşırken daima koruyucu donanım kullanın.

Örneğin: Eldiven, tüm kolunuzu koruyan tulum ve emniyet gözlüğü.

- Doğru olmayan tutuş yaralanmalara yol açar.

- Montaj işlemi sırasında soğutucu gazı sızarsa, odayı havalandırın.

- Soğutucu gaz alevle temas ederse, zehirli gazlar ortaya çıkar.

- Üniteyi, Kurulum Kılavuzuna uygun olarak monte edin.

- Yanlış montaj su kaçaklarına, elektrik çarpmalarına ve yangına neden olabilir.

- Tüm elektrik işleri ruhsatlı bir elektrikçi tarafından “Elektrik Tesisatı Mühendislik Standartlarına” ve “Dahili Kablo Düzenleme” lerine ve bu elkitabındaki talimatlara uygun olarak yapılmalıdır ve her zaman özel bir elektrik devresi kullanılmalıdır.

- Elektrik sağlama kapasitesi yeterli değilse ve elektrik işleri düzgün gerçekleştirilmezse elektrik çarpmasına ve yangına yol açabilir.

- Elektrik parçalarını sudan uzak tutunuz (yıkama suyu vs.).

- Elektrik çarpmasına, alev almaya veya dumana sebep olabilir.

- Dış Ünite terminal kapağını (panelini) emniyetli bir biçimde monte ediniz.

- Dış ünitenin terminal kapağı usulüne uygun takılmazsa, toz ve su dış ünite girebilir ve bu da elektrik çarpmasına ve yangına yol açabilir.

- Klimayı başka yere taşırken veya monte ederken, üniteye üzerinde belirtilen soğutucudan (R410A) farklı bir soğutucu koymayın.

- Başka bir soğutucu kullanılırsa veya orijinal soğutucuya hava karışırsa, soğutucu devre arızalanabilir ve ünite bozulabilir.

- Eğer klima cihazı küçük bir odaya kurulacaksa, soğutucu kaçağı olması halinde bile odadaki soğutucu yoğunluğunun güvenlik sınırını aşmasını önlemek üzere önlem alınmalıdır.

- Geçerli yoğunluğun aşılmasını önlemeye yönelik önlemler konusunda yetkili satıcınıza danışınız. Soğutucunun dışarı sızarak yoğunluk sınırının aşması halinde, odadaki oksijen seviyesinin yetersiz kalmasından kaynaklanan kazalara yol açabilir.

- Klimayı taşırken veya tekrar monte ederken, satıcınıza veya yetkili bir teknisyene başvurun.

- Klimanın yanlış montajı su kaçaklarına, elektrik çarpmalarına ve yangına neden olabilir.

- Montajı tamamlandıktan sonra, soğutucu gaz kaçağı olmamasını sağlayınız.

- Soğutucu gaz kaçağı olursa ve de bir elektrik ısıtıcısına, fırına veya herhangi ısı kaynağıyla temas ederse zehirli gaz üretebilir.

- Koruma cihazlarının ayarlarını yeniden kurmayın ya da değiştirmeyin.
  - Basınç anahtarı, ısı anahtarı veya diğer koruma cihazları devreden çıkartılırsa, zorla işletilirse veya Mitsubishi Electric tarafından belirtilen parçalardan başka parçalar kullanılırsa, patlamaya ve yangına neden olabilir.

- Bu ürünü uzaklaştırmak için yetkili satıcınıza danışın.

- Tesisatçı ve sistem uzmanı, yerel yönetmeliklere veya standartlara uygun olarak kaçağa karşı güvenli kurulum sağlar.

- Yerel yönetmelikler yoksa aşağıdaki standartlar izlenebilir.

- Soğutucu gaz havadan daha ağır olduğu için bodrum gibi soğutucu gazın hapis olabileceği yerlerde özellikle dikkat edin.

- Çocuklar, cihazla oynamalarını sağlamak için gözetim altında tutulmalıdır.

### 1.2. R410A soğutucusu kullanan cihazlarla ilgili önlemler

##### ⚠ Uyarı:

- Üniteyle birlikte verilen kılavuzlarda ve isim plakası üzerinde belirtilen tip dışında soğutucu kullanmayın.

- Aksi halde ünite veya borularda patlak oluşabilir ya da ünitenin kullanımı, tamiri veya bertaraf edilmesi sırasında patlama ya da yangın meydana gelebilir.
- Aynı zamanda uygulanabilir yasalara aykırı da olabilir.
- MITSUBISHI ELECTRIC CORPORATION yanlış tipte soğutucu kullanmaktan kaynaklanan arızalardan veya kazalardan sorumlu tutulamaz.

#### ⚠ Dikkat:

- **Varolan soğutucu borularını kullanmayın.**
  - Varolan borulardaki eski soğutucu ve soğutucu yağı çok yüksek miktarda klorin içerir. Bu da yeni ünitenin soğutucu yağının bozulmasına neden olabilir.
  - R410A yüksek basınçlı bir soğutucudur ve mevcut boru tesisatının patlamasına neden olabilir.
- **JIS H3300 "Bakır ve bakır alaşımli kaynaksız boru ve tüpler" kapsamında belirtildiği gibi, C1220 (Cu-DHP) fosforlu, oksijeni çıkarılmış bakırdan yapılmış soğutucu borularını kullanın. Ayrıca, borunun iç ve dış yüzeylerini zararlı sülfür, oksitler, kir/toz, talaş, yağlar, nem ve diğer kirlenici maddelerden koruyun ve temiz tutun.**
  - Soğutucu borularının içindeki kirlenici maddeler kalan soğutucu yağının bozulmasına sebep olabilir.
- **Montajda kullanılacak boruları içerde depolayınız ve boruların iki ağzını da bağlanmadan önceye kadar kapalı tutunuz. (Dirsekleri ve diğer bağlantıları bir plastik torbanın içinde saklayın.)**
  - Toz, pislik veya su soğutucu devresine girerse, soğutucu yağının bozulmasına ve kompresör arızalarına yol açabilir.
- **Köşe ve flanş bağlantılarını kaplamak için soğutucu yağı olarak ester yağı, eter yağı ya da alkil benzol (az miktarda) kullanın.**
  - Soğutucu yağı, büyük miktarlarda madeni yağla karıştırıldığında bozulur.
- **Sistemi doldurmak için sıvı soğutucu kullanın.**
  - Sistemin sızdırmazlığı için gaz soğutucu kullanılırsa, kazandaki soğutucunun bileşimi değişecektir ve bu performans kaybına yol açabilir.
- **R410A dışında soğutucu kullanmayın.**
  - R410A ile başka bir soğutucu (R22, vb.) karıştırılırsa, soğutucu içindeki klor soğutucu yağın bozulmasına neden olabilir.
- **Ters akıntı kontrol vanası olan bir vakum pompası kullanın.**
  - Vakum pompası yağı soğutucu devresine geri girebilir ve soğutucu yağının bozulmasına neden olabilir.
- **Geleneksel soğutucularda kullanılan aşağıdaki aletleri kullanmayın. (Ölçme manifoldu, şarj hortumu, gaz kaçağı detektörü, ters akıntı kontrol valfi, soğutucu şarj tabanı, soğutucu tekrar kazanım donanımı)**
  - Geleneksel soğutucu ve soğutucu yağ R410A ile karışırsa, soğutucu bozulabilir.
  - R410A'ya su karışırsa soğutucu yağ bozulabilir.
  - R410A klorin içermediği için, geleneksel soğutucu gaz kaçağı detektörleri ona reaksiyon göstermez.
- **Şarj silindiri kullanmayın.**
  - Şarj silindiri kullanmak soğutucunun bozulmasına yol açabilir.
- **Aletleri kullanırken özellikle dikkatli olun.**
  - Toz, pislik ve su soğutucu devresine girerse, soğutucu bozulabilir.

### 1.3. Montajdan önce

#### ⚠ Dikkat:

- **Cihaz, yanıcı gaz kaçağının meydana gelebileceği yerlerin yakınına monte edilmemelidir.**
  - Eğer gaz kaçağı olursa ve cihazın çevresinde gaz birikirse patlamaya yol açabilir.
- **Klimayı yiyecek maddeleri, bitki, hayvanlar, sanat eserleri ya da hassas cihazların bulunduğu yerlerde kullanmayın.**
  - Yiyeceklerin kalitesi vs., bozulabilir.
- **Özel ortamlarda klimayı kullanmayın.**
  - Buhar, yağ, küllürlü duman vb. klimanın performansını önemli ölçüde düşürebilir ve cihazın içindeki parçalara zarar verebilirler.
- **Üniteyi hastane, iletişim merkezi ya da benzeri yerlere monte edeceğiniz zaman gürültüye karşı yeterli koruma sağlayınız.**
  - Klima cihazı, inverter donanımlı, özel elektrik jeneratörü, yüksek frekanslı tıbbi teçhizat veya telsiz dayalı iletişim donanımından etkilendiği için hatalı çalışabilir veya çalışmayabilir. Diğer yandan, klima çıkardığı gürültüyle tıbbi tedavi ya da imaj yayını yapan teçhizatları etkileyebilir.
- **Üniteyi kaçaklara neden olacak bir yerin üstüne monte etmeyin.**
  - Odadaki nem oranı % 80'i aşınca veya drenaj borusu tıkanınca iç üniteден su sızabilir. Gereklikçe, toplu drenaj çalışmasını üniteyle beraber yapın.

### 1.4. Montajdan (yer değiştirmeden) önce elektrik işleri

#### ⚠ Dikkat:

- Üniteye topraklayın.

## 2. Ürün hakkında

#### ⚠ Uyarı:

- **Üniteyle birlikte verilen kılavuzlarda ve isim plakası üzerinde belirtilen tip dışında soğutucu kullanmayın.**
  - Aksi halde ünite veya borularda patlak oluşabilir ya da ünitenin kullanımı, tamiri veya bertaraf edilmesi sırasında patlama ya da yangın meydana gelebilir.
  - Aynı zamanda uygulanabilir yasalara aykırı da olabilir.
  - MITSUBISHI ELECTRIC CORPORATION yanlış tipte soğutucu kullanmaktan kaynaklanan arızalardan veya kazalardan sorumlu tutulamaz.
- Bu cihaz R410A tipi soğutucu kullanmaktadır.

- Toprak hattını asla gaz veya su borularına, paratönere veya telefon toprak hattına bağlamayınız. Cihazın doğru biçimde topraklanmaması elektrik çarpmasına yol açabilir.
- **Elektrik kablolarını döşerken kabloları fazla germemeye dikkat ediniz.**
  - Gerginlik, kabloların kopmasına ve ısınmasına yol açar ve yangına neden olabilir.
- **Gerektiğinde, devre kesicisi takılmasını sağlayınız.**
  - Devre kesicisi takılmadığında, elektrik çarpması meydana gelebilir.
- **Elektrik kabloları için yeterli akım kapasitesine sahip standart kablo kullanınız.**
  - Çok küçük kablolar, kaçak yapabilir, ısı yaratabilir ve yangına neden olabilir.
- **Sadece belirtilen kapasitede sigorta ve devre kesici kullanınız.**
  - Gerekenden daha yüksek kapasiteli bir sigorta ya da devre kesici ya da çelik veya bakır tel kullanılması ünitenin arızalanmasına veya yangına yol açabilir.
- **Klima cihazı ünitelerini yıkamayınız.**
  - Yıkama işlemi elektrik çarpmasına yol açabilir.
- **Montaj temelinin uzun kullanmadan ötürü hasar görmemiş olduğuna dikkat edin.**
  - Hasar tamir edilmezse, ünitenin düşmesine, yaralanmalara ve mal hasarına yol açabilir.
- **Drenaj tesisatını bu Montaj Elkitabına uygun olarak döşeyiniz. Kondansasyonunu önlemek için boruların üzerine ısı yalıtımını ile kaplayınız.**
  - Uygun olmayan drenaj boruları döşemesi, su kaçağına neden olabilir ve ev eşyalarının ve diğer malların hasar görmesine yol açabilir.
- **Donanımın taşınması sırasında çok dikkatli olunuz.**
  - Cihazın ağırlığı 20 kg'den fazla olduğunda tek kişi tarafından taşınmamalıdır.
  - Bazı mamulün ambalajında PP bantları kullanılmıştır. PP bantlarını taşıma amacıyla kullanmayınız. Bu tehlikelidir.
  - Üniteyi taşıırken, bunu ünitenin tabanında belirtilen pozisyonlarda destekleyin. Ayrıca, yanlara kaymasını önlemek için üniteye dört noktadan destek verin.
- **Ambalaj malzemelerinin emniyetli şekilde atılmasını sağlayın.**
  - Mandal gibi ambalaj malzemeleri ve diğer metal ya da tahta parçalar saplanmalara veya diğer yaralanmalara yol açabilir.
  - Çocukların oynamasını engellemek için plastik ambalaj torbalarını yırtıp atınız. Yırtılmamış bir plastik torbanın çocukların eline geçmesi, onunla oynamaları sırasında boğulma tehlikesi yaratabilir.

### 1.5. Çalıştırma denemesine başlamadan önce

#### ⚠ Dikkat:

- **Aşağıdaki koşulların her ikisi birden karşılandığında "7130" hata kodu görülür.**
  - PWFY ünitesi, Y serisinin dış ünitesine bağlanı.
  - Yazılım sürümü, aşağıda listelenendir.  
PWFY serisi: Sürüm. 1.13 öncesi  
Y(YHM) serisi: Sürüm. 12.27 öncesi  
Y(YJM) serisi: Sürüm 1.31 öncesi  
Replace Y(YJM) serisi: Sürüm. 11.31 öncesi  
HP(ZUBADAN) serisi: Sürüm. 22.27 öncesi  
WY serisi: Sürüm. 12.29 öncesi
- **Cihazı çalıştırmadan en az 12 saat önce ana elektrik şalterini açınız.**
  - Ana elektrik şalterini açtıktan hemen sonra cihazı çalıştırmak için parçaların ciddi hasar görmesine yol açabilir. Cihazın çalıştırılacağı mevsimde ana elektrik şalterini açık bırakınız.
- **Anahtarları ıslak elle dokunmayınız.**
  - Anahtarları ıslak elle dokunulması elektrik çarpmasına yol açabilir.
- **Soğutucu madde borularına cihaz çalışırken ve durduktan hemen sonra, çıplak elle dokunmayınız.**
  - Çalışırken ve durduktan hemen sonra soğutucu boruları Soğutucu boruları, soğutucunun soğutucu borularında, kompresörde ve diğer soğutucu devre parçalarında durumuna göre sıcak bazen de soğuk olabilir. Soğutucu borusuna dokunursanız elleriniz yanabilir veya donabilir.
- **Klimayı panel ve mahfazalar çıkarılmış olarak çalıştırmayın.**
  - Dönen, sıcak veya yüksek voltajlı parçalar yaralanmalara yol açabilir.
- **Cihazın çalışmasını durdurduktan hemen sonra ana elektrik şalterini kapatmayınız.**
  - Ana elektrik şalterini kapatmadan önce muhakkak en az beş dakika bekleyiniz. Aksi takdirde su sızması olabilir veya cihaz arızalanabilir.
- **Servis işlemi sırasında kompresör yüzeyine dokunmayınız.**
  - Ünite beslemeye bağlı ise ve çalışmıyorsa, kompresördeki krank muhafaza ısıtıcısı çalışıyor demektir.
- **Fan dış atım çıkışının yanındaki panellere çıplak elle dokunmayın: ünite çalışır durumda iken (durmuş olsa dahi) ya da hemen işlem sonrasında bu bölgeler sıcak olabilirler ve yanık riski oluştururlar. Panellere dokunmanız gerektiğinde ellerinizi korumak için eldiven kullanın.**
- **Ünite çalışır durumda iken ya da hemen işlem sonrasında, fan dış atım çıkışından yüksek sıcaklıkta hava çıkışı olabilir. Çıkışı elinizle tutmayın ya da çıkışın yanındaki panellere dokunmayın.**
- **Dış atım havasının fanın çıkışı için bir yol sağlandığından emin olun.**
- **Önceden ayarlanmış olan sıcaklığa bağlı olarak su boruları çok fazla ısınabilir. Yanıkları önlemek için boruları yalıtım malzemesi ile kaplayınız.**

- R410A kullanan sistemlerde tasarım basıncı daha yüksek olduğundan, R410A kullanan sistemler için boru tesisatı normal soğutucu kullanan sistemlerden farklı olabilir. Daha fazla bilgi için Veri Kitabına bakın.
- Diğer soğutucu tiplerini kullanan sistemlerin montajı için kullanılan bazı araç ve ekipmanlar R410A kullanan sistemler ile kullanılamaz. Daha fazla bilgi için Veri Kitabına bakın.
- Normal soğutucu makine yağı ve soğutucuları klor ihtiva ettiğinden mevcut boru tesisatını kullanmayın. Bu klor, yeni teçhizat içindeki soğutucu makine yağını bozar. R410A kullanan sistemlerdeki tasarım basıncı, diğer soğutucu tiplerini kullanan sistemdekilerden yüksek olduğundan ve bu durum mevcut boruların yanmasına sebep olabileceğinden, mevcut boru tesisatı kullanılmamalıdır.

### 3. Spesifikasyonlar

#### ⚠ Uyarı:

Üniteyle birlikte verilen kılavuzlarda ve isim plakası üzerinde belirtilen tip dışında soğutucu kullanmayın.

- Aksi halde üniteye veya borularda patlak oluşabilir ya da ünitenin kullanımı, tamiri veya bertaraf edilmesi sırasında patlama ya da yangın meydana gelebilir.
- Aynı zamanda uygulanabilir yasalara aykırı da olabilir.
- MITSUBISHI ELECTRIC CORPORATION yanlış tipte soğutucu kullanmaktan kaynaklanan arızalardan veya kazalardan sorumlu tutulamaz.

Model	PWFY-P100VM-E-BU	PWFY-P100VM-E1-AU	PWFY-P200VM-E1-AU		
Gürültü düzeyi	44dB<A>	29dB<A>	29dB<A>		
Soğutucu	R134a × 1,1 kg	-	-		
Net ağırlık	60 kg	35 kg	38 kg		
Tasarım basıncı	R410A MPa	4,15	4,15		
	R134a MPa	3,60	-		
	Su MPa	1,00	1,00		
Bağlanabilir Dış ünite	Toplam kapasite	% 50~100 dış mekan ünitesi kapasitesi		Sadece bir dış üniteye bağlanabilir	% 50~100 dış mekan ünitesi kapasitesi
	Model/Miktar	Yalnızca R2, Replace R2 serisi, WR2 serisi	Y, Replace Y serisi, HP(ZUBADAN) serisi, WY serisi, R2, Replace R2 serisi, WR2 serisi	PUMY-P-V/YHMB(-BS)	Y, Replace Y serisi, HP(ZUBADAN) serisi, WY serisi, R2, Replace R2 serisi, WR2 serisi
Sıcaklık aralığı Isıtma	Dış mekan Sıcaklığı	-20~32 °CWB (59~90 °F)	-20~32 °CWB (-4~90 °F) PURY - serisi -20~15,5 °CWB (-4~60 °F) PUHY - serisi	-15~21 °CDB (5~70 °F), -15~15 °CWB (5~59 °F)	-20~32 °CWB (-4~90 °F) PURY - serisi -20~15,5 °CWB (-4~60 °F) PUHY - serisi
	Giriş Suyu Sıcaklığı	10~70 °C (50~158 °F)	10~40 °C (50~104 °F)	10~45 °C (50~113 °F)	10~40 °C (50~104 °F)
Sıcaklık aralığı Soğutma	Dış mekan Sıcaklığı	-	-5~43 °CDB (23~110 °F) PURY - serisi -5~43 °CDB (23~110 °F) PUHY - serisi	-	-5~43 °CDB (23~110 °F) PURY - serisi -5~43 °CDB (23~110 °F) PUHY - serisi
	Giriş Suyu Sıcaklığı	-	10~35 °C (50~95 °F)	-	10~35 °C (50~95 °F)

### 4. Cihazla birlikte verilen parçaların teyidi

- ① Filtre    ② Isı yalıtım malzemesi    ③ Konektör takımları × 2    ④ Genleşme derzi × 2 (PWFY-P200VM-E1-AU)    ⑤ Tel    ⑥ Akış anahtarı (PWFY-P100/P200VM-E1-AU)

### 5. Kaldırma yöntemi

#### ⚠ Dikkat:

Ürünü taşıırken dikkatli olun.

- 20 kg'den ağırsa ürünü tek bir kişiye taşıtmayın.
- Bazı ürünlerin ambalajında PP bantları kullanılmıştır. Bunları taşıma aracı olarak kullanmayın; tehlikelidir.
- Plastik ambalajı yırtın ve çocukların oynamaması için atın. Aksi halde plastik ambalaj çocukların boğulmasına neden olabilir.

### 6. Ünitenin montajı ve bakım çalışma alanı

#### 6.1. Montaj

- Aşağıda gösterilen sabitleme deliklerini kullanarak üniteyi tabana sıkıca vidalayın.

[Fig. 6.1.1] (P.2)

- Ⓐ 4 adet ø14 (Sabitleme deliği)    Ⓑ (Üstten görünüş)

#### Kaide

- Ünitenin ağırlığını taşıyabilecek güçte bir yere monte ettiğinizden emin olun. Eğer kaide dengesiz ise beton kaide ile güçlendirin.
- Ünite eğimsiz bir yüzeye sabitlenmelidir. Montajdan sonra düz olup olmadığını tekrar kontrol edin.
- Eğer ünite gürültünün sorun olabileceği bir odanın yakınına monte ediliyorsa, ünitenin kaidesinde vibrasyon kesici tampon kullanılması tavsiye olunur.

#### ⚠ Uyarı:

- Ünitenin ağırlığını kaldıracak sağlamlıkta bir yere monte edilmesini sağlayın. Eğer yeterli sağlamlıkta değilse, ünitenin düşmesine yol açarak yaralanmalara neden olabilir.
- Deprem olasılığına karşı korumak için gerekli montaj düzenlemelerini yapın. Montajın herhangi bir şekilde yetersiz olması ünitenin düşmesine ve yaralanmalara yol açabilir.

#### 6.2. Servis alanı

- Lütfen montajdan sonra aşağıdaki servis alanlarının kalmasına dikkat edin. (Tüm bakım çalışmaları ünitenin önünden yapılabilir.)

[Fig. 6.2.1] (P.2)

Model	a	b	c
PWFY-P100VM-E-BU	400	300	600
PWFY-P100VM-E1-AU	400	300	600
PWFY-P200VM-E1-AU	400	300	600

Ⓐ Boru yeri (sağ taraf)

Ⓑ Üstten görünüş

Ⓒ Servis alanı (ön taraftan boru girişi)

### 7. Su borularının montajı

- Uzun süreli kullanılmama öncesinde, borulardaki suyu boşaltın ve boruları tamamen kurutun.
- Kapalı su devresi kullanın.
- Ünite soğutma modundayken, donmasını önlemek için devirdaim suyuna tuzlu su ekleyin.
- Sistemde tuzlu su kullanmak için, DipSW 1-10 ON (AÇIK) konumuna getirilmelidir.
- Düşük ortam sıcaklığında monte edildiğinde, suyun daima sirkülasyon halinde olmasını sağlayın. Bunun mümkün olmaması durumunda, borulardaki suyu tamamen boşaltın veya su borularına tuzlu su doldurun.
- Bu tür ünitelerde kullanılan suyu içme suyu olarak ya da gıda üretiminde kullanmayın.
- Çelik boruları su borusu olarak kullanmayın.

Model	Su girişi	Su çıkışı
PWFY-P100VM-E-BU	PT 3/4 Vida	PT 3/4 Vida
PWFY-P100VM-E1-AU	PT 3/4 Vida	PT 3/4 Vida
PWFY-P200VM-E1-AU *1 Ekli olan genişleme derzleri monte edildiğinde.	PT 1 Vida*1	PT 1 Vida*1

## 7.1. Montaj sırasında dikkat edilecek hususlar

- Her bir üniteye uygun boru dayanıklılığı sağlamak için ters dönüş metodunu kullanın.
- Ünitenin bakım, muayene ve değiştirilmesinde kolaylık sağlamak için su girişi ve çıkışlarında uygun bağlantı, valf vb kullanın. Buna ek olarak su girişi borusuna bir süzgeç takın. (Ünitenin bakımı açısından, sirküle edilen su girişine süzgeç takmak gerekmektedir.)
- Su borusunun üstüne uygun hava çıkışı monte edin. Su borusuna su verdiğinizde hava borusunda kalan fazla havanın çıkmasını sağlayın.
- Ünitenin düşük sıcaklık kısmında yoğunlaşmış su oluşabilir. Ünitenin altında suyu boşaltmak için boşaltma valfine bağlı olarak boşaltma borusu kullanın.
- Pompaya geri dönüşü engelleyici valf monte edin ve fazla vibrasyondan korumak için esnek mafsal ekleyin.
- Duvar içinden geçen boruları korumak için bilezik kullanın.
- Boruların emniyeti açısından metal aksamlı monte edin. Böylece kırılma ve bükülmelere karşı en iyi korunma sağlanacaktır.
- Su girişi ve çıkışı valflerini karıştırmayın.
- Bu birim borularda donmayı önleyecek her hangi bir ısıtıcı ile donatılmamıştır. Düşük çevre ısı ortamlarda su akışı durdurulduğu zaman, borulardaki suyu boşaltın.
- Kullanılmayan delik yerleri kapatılmalı ve soğutucu borularının, su borularının, elektrik ve iletim kablolarının açık kısımları suya karşı koruma amacıyla macun vb. ile doldurulmalıdır.
- Filtreyi 45° ya da daha az açı ile [Fig 7.1.2]'de gösterildiği gibi monte edin.
- Su sızdıntısını önlemek üzere vida parçasının etrafına bir parça sızdırmazlık bandı sarın.
- Sızdırmazlık bandını aşağıda gösterildiği şekilde sarın.
  - Ek yerini, sızdırmazlık bandı ile vida dişleri (saat dönüş) yönünde sarın ve bandın kenardan dışarı taşmasına izin vermeyin.
  - Sızdırmazlık bandını her çevirişte genişliğinin üçte iki ila dörtte üçü kadarını üst üste getirerek sarın. Bandın her vida dişine sıkıca basması için parmaklarınızla bant üzerine bastırın.
  - Son 1,5 – 2 vida dişini sarılmamış olarak bırakın.
- Su girişine temin edilmiş olan filtreyi monte edin.

② Su kalitesi standardı

Öğeler	Düşük orta-aralıklı sıcaklıktaki su sistemi Su Sıcaklığı ≤ 60 °C		Yüksek orta-aralıklı sıcaklıktaki su sistemi Su Sıcaklığı > 60 °C		Eğilim		
	Devridaim eden su	Toplanan su	Devridaim eden su	Toplanan su	Korosif	Ölçekleme	
Standart Öğeler	pH (25 °C)	7,0 ~ 8,0	7,0 ~ 8,0	7,0 ~ 8,0	7,0 ~ 8,0	○	○
	Elektrik iletkenliği (mS/m) (25 °C) (µ s/cm) (25 °C)	30 veya daha az [300 veya daha az]	30 veya daha az [300 veya daha az]	30 veya daha az [300 veya daha az]	30 veya daha az [300 veya daha az]	○	○
	Klorür iyon (mg Cl/l)	50 veya daha az	50 veya daha az	30 veya daha az	30 veya daha az	○	
	Sülfat iyon (mg SO <sub>4</sub> <sup>2-</sup> /l)	50 veya daha az	50 veya daha az	30 veya daha az	30 veya daha az	○	
	Asit tüketimi (pH4,8) (mg CaCO <sub>3</sub> /l)	50 veya daha az	50 veya daha az	50 veya daha az	50 veya daha az		○
	Toplam sertlik (mg CaCO <sub>3</sub> /l)	70 veya daha az	70 veya daha az	70 veya daha az	70 veya daha az		○
	Kalsiyum sertliği (mg CaCO <sub>3</sub> /l)	50 veya daha az	50 veya daha az	50 veya daha az	50 veya daha az		○
Referans öğeler	İyonik silis (mg SiO <sub>2</sub> /l)	30 veya daha az	30 veya daha az	30 veya daha az	30 veya daha az		○
	Demir (mg Fe/l)	1,0 veya daha az	0,3 veya daha az	1,0 veya daha az	0,3 veya daha az	○	○
	Bakır (mg Cu/l)	1,0 veya daha az	1,0 veya daha az	1,0 veya daha az	1,0 veya daha az	○	
	Sülfat iyon (mg S <sup>2-</sup> /l)	tespit edilemedi	tespit edilemedi	tespit edilemedi	tespit edilemedi	○	
	Amonyum iyon (mg NH <sub>4</sub> <sup>+</sup> /l)	0,3 veya daha az	0,1 veya daha az	0,1 veya daha az	0,1 veya daha az	○	
	Artık klor (mg Cl/l)	0,25 veya daha az	0,3 veya daha az	0,1 veya daha az	0,3 veya daha az	○	
	Serbest karbon dioksit (mg CO <sub>2</sub> /l)	0,4 veya daha az	4,0 veya daha az	0,4 veya daha az	4,0 veya daha az	○	
Ryzner denge indeksi	-	-	-	-	○	○	

Referans : Soğutma ve Klima Ekipmanı için Su Kalite Yönergesi. (JRA GL02E-1994)

- Su kalite işlemi için korozyonu önleyici solüsyonları kullanmadan önce lütfen su kalite kontrolü ve hesapları konusunda yetkili bir uzmana danışın.
- Daha önce monte edilmiş klima cihazını değiştirirken (Sadece ısı eşanjörü takılmış olsa bile), lütfen önce su kalite analizi yapın ve olası korozyonu kontrol edin. Soğuk su sistemlerinde herhangi bir belirtiyi göstermese bile korozyon olabilir. Eğer su kalitesi düşmüşse, üniteyi değiştirmeden önce su kalitesini yeterli derecede düzeltin.

- Boruları ve filtreyi monte ederken, ünite tarafındaki boruyu somun (İngiliz) anahtarları ile yerinde tutun. Vidaları 50 N-m. değerinde tork ile sıkıştırın.
- Önceden ayarlanmış olan sıcaklığa bağlı olarak su boruları çok fazla ısınabilir. Yanıkları önlemek için boruları yalıtım malzemesi ile kaplayınız.
- PWFY-P200VM-E1-AU modelinde, filtreyi monte ettikten sonra genişleme derzini (aksesuar) giriş ve çıkışa monte edin.

### Ünite montajı örneği (su borusu kullanarak)

[Fig. 7.1.1] (P.2)

- |                              |                    |
|------------------------------|--------------------|
| Ⓐ Kapalı valf                | Ⓑ Su girişi        |
| Ⓒ Su çıkışı                  | Ⓓ Soğutucu borular |
| Ⓔ Tek çatal bağlama ağızlığı | Ⓕ Drenaj borusu    |
| Ⓖ Genişleme derzi            |                    |

## 7.2. İzolasyonun Montajı

Su borusunun yüzey sıcaklığı, ayarlanmış sıcaklığa bağlı olarak çok yüksek olabilir. Yanıkları önlemek üzere boru yalıtımını yapın. PWFY-P100/P200VM-E1-AU modelini soğuk su ile çalıştırırken, yoğunlaşmayı önlemek üzere su borusunu yalıtın. Su borularının çevresine [Fig 7.2.1]'de gösterildiği gibi yalıtım malzemesi sarın.

- Bina dışı boruları.
- Boruların donma problemi olan soğuk hava bölgelerinde bina içi boruları.
- Dışarıdan gelen hava yüzünden kondansasyona maruz kalan borular.
- Tüm drenaj boruları.

[Fig. 7.2.1] (P.2)

- |                                    |
|------------------------------------|
| Ⓐ Isı yalıtım malzemesi (aksesuar) |
| Ⓑ Kalafat enjekte edin.            |

## 7.3. Su işleme ve kalite kontrolü

Su kalitesini korumak üzere, kapalı tip su devresi kullanın. Sirküle edilen suyun kalitesi kötü ise, su ısı eşanjöründe kısırlı oluşur. Bu da ısı eşanjörünün güçten düşmesine ve korozyona maruz kalmasına yol açar. Su sirkülasyon sistemini monte ederken, lütfen su işlemlerine ve kalite kontrolüne gereken dikkati gösterin.

- Borulardaki yabancı madde ve kirin temizlenmesi.
- Montaj sırasında, kaynak parçaları, macun parçacıkları, pas gibi yabancı maddelerin borulara girmemesine özen gösterin.
- Su kalite işlemi

- Su kalitesine bağlı olarak, ısı eşanjörlerinin bakır borularında korozyon olabilir. Düzenli su kalite işlemlerini öneririz.

Açık ısıtıcı tank kullanan su sirkülasyon sistemleri korozyon oluşumuna meyillidir.

Açık tip bir ısı depolama tankı kullanırken, bir sudan suya ısı değiştiricisi monte edin ve klimanın yanında bir kapalı devre kullanın. Bir su besleme tankı monte edilmişse, hava ile minimum teması sağlayın ve suda çözülmemeyen oksijen seviyesini 1mg/l'den daha yüksek olmayacak şekilde muhafaza edin.



## 7.4. Pompa interlok bağlantısı

Pompa bağlama devresi tamamlanmadan önce test çalışması gerçekleştirmek için, TB142A (IN1) terminal bloğuna kısa devre yapın ve test çalışmasını gerçekleştirin. Borularda dolaşan su olmadan çalıştırılması durumunda ünite hasar görebilir.

### <PWFY-P100VM-E-BU>

Su sirkülasyon pompası ve ünitenin interloklu çalışmasına dikkat edin. Ünitenin üstünde bulunan TB142A (IN1) terminal bloklarını interlok için kullanın.

[Fig. 7.4.1] (P.2)

### <PWFY-P100/200VM-E1-AU>

#### <Pompa interlok bağlantısı>

PWFY-P100/P200VM-E1-AU içeren sistemde, devridaim suyu donabilir ve hatalı ünite çalışmasıyla sonuçlanabilir. Suyu donmaya karşı korumak için, elektrik işlerini [Fig. 7.4.2]'de gösterildiği gibi gerçekleştirin.

#### <Akış anahtarı>

Üniteyi monte ederken, ürünle birlikte verilen akış anahtarını ünitenin su çıkış tarafına taktığınızdan ve kabloyu ünite üzerindeki TB142A'nın IN1 ucuna bağladığınızdan emin olun.

**Akış anahtarı monte edilmezse, ünite hata sinyali üretir (2100: Bağlantı hatası) ve çalışmaz.**

\* Bir kısa devre kablosu verilmiştir ancak sadece test çalışması için kullanılabilir.

<Montaj prosedürleri>

#### ① Akış anahtarına bağlı boruları sökün.

**Not: Ünite, boruları gevşek şekilde sıkılmış olarak sevk edilir.**

② 1.5 veya 2. diğten başlayarak ve açıklıkların üzerine kapatmayacak şekilde boruların sonundaki vida dişlerinin çevresine yalıtım bandı sarın. Boru vida dişlerinin yönünde (saat dönüş yönü) iki ya da üç tur bant uygulayın. Bandın her turunda bir önceki bandın üzerinden bant genişliğinin 2/3 ila 3/4'ü mesafeden geçin. Parmaklarınızı vida dişlerinin ve bandın çevresinde gezdirerek bandı vida dişlerine doğru bastırın.

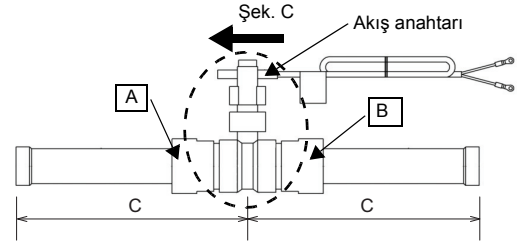
Daha sonra, A ve B parçalarını bir açık ağız anahtar ile tutarak boruları akış anahtarına takın. Maksimum sıkma torku 60 N·m (611 kgf·cm)'dir.

#### ③ Akış anahtarını ve boruları su çıkışına yatay konumda takın.

Boru ekseninin açısı 45 dereceden az olmalıdır.

Akış anahtarının yönü Şek. C'de gösterildiği gibi olmalıdır.

#### ④ Akış anahtarının kablosunu TB142A'nın IN1 ucuna bağlayın.



	C
PWFY-P100VM-E1-AU	175 mm
PWFY-P200VM-E1-AU	205 mm

DipSW'yi, alttaki tabloda gösterildiği gibi ayarlayın.

DipSW3-6	Harici çıkış teması
ON (AÇIK)	Thermo ON (AÇIK) durumdayken etkili
OFF (KAPALI)	Operation ON (AÇIK) (Uzaktan kumanda ON (AÇIK)) durumdayken etkili

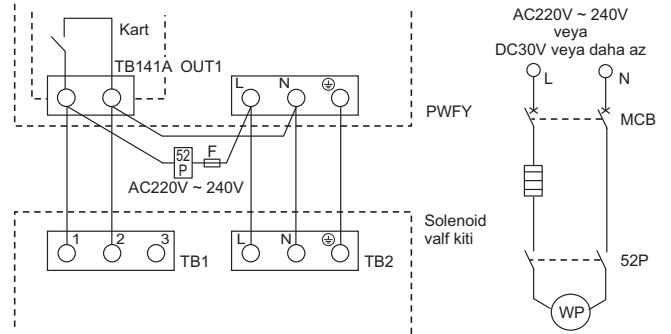
Kapalı olduğunda kontrol çalışmadığından, pompanın güç kaynağını açtığınızdan emin olun.

#### <PAC-SV01PW-E>

Kablo bağlantısını [Fig. 7.4.3]'te gösterildiği gibi gerçekleştirin (pompa işlemini diğer ünitelerle bağlarken VE Y-serisi dış üniteler, HP(ZUBADAN)-serisi dış üniteler, iç üniteler ve PWFY-P100/P200VM-E1-AU içeren bir sisteme Solenoid valf kiti (PAC-SV01PW-E) takarken).

DIP anahtarı 3-6 ayarını ON (AÇIK) yapın. Yazılım sürümünün 1.18 veya üzeri olduğundan emin olun.

[Fig. 7.4.3]



F: Sigorta

52P: Isı kaynağı su pompası için manyetik kontaklıdır

MCB: Devre kesici

WP: Su pompası

## 8. Soğutucu Borusu ve Drenaj Borusu Spesifikasyonları

Çiğ damlacıklarının oluşmasını önlemek açısından soğutucu ve drenaj borularına yeterli terlemeyi önleyici işlem yapınız ve izolasyon sağlayınız.

Piyasadan temin edilen soğutucu borularını kullandığınız zaman hem sıvı hem de gaz borularınız piyasadan temin edilen (100 °C'den yüksek sıcaklığa dayanıklı ve aşağıda belirtilen kalınlıkta) izole bantla sarmayı ihmal etmeyiniz.

#### ① İzolasyon malzemesini boru çapına göre satın alınız.

Model	PWFY-P100VM-E-BU	PWFY-P100VM-E1-AU	PWFY-P200VM-E1-AU
Gaz	ø15,88	ø15,88	ø19,05
Sıvı	ø9,52	ø9,52	ø9,52
Drenaj		ø32	
İzolasyon malzemesi kalınlığı	10 mm'den fazla		

② Eğer ünite binanın en üst katında ve sıcaklık ve nem oranının yüksek olduğu koşullarda kullanılacaksa, yukarıdaki tabloda verilenlerden daha büyük boru çaplarının ve izolasyon malzemesi kalınlıklarının kullanılması gerekir.

③ Eğer müşterinin spesifikasyonları farklıysa, onları uygulayınız.

### 8.1. Soğutucu borusu, drenaj borusu ve doldurma girişi

[Fig. 8.1.1] (P.3)

A Soğutucu tesisatı (gaz)

C Su girişi

E Drenaj çıkışı

B Soğutucu tesisatı (sıvı)

D Su çıkışı

\*1: PWFY-P100/200VM-E1-AU

## 9. Soğutucu Borularının ve Drenaj Borularının Bağlanması

### 9.1. Soğutucu tesisatı işleri

Bu tesisat işleri, hem dış ünitenin hem de BC kontrol biriminin montaj elkitaplarına uygun olarak gerçekleştirilmelidir (aynı anda ısıtmalı ve soğutmalı R2 serisi).

R2 serisi, bir dış üniteden gelen soğutucu borusunun BC kontrol birimine geldikten sonra iç ünitelere bağlanmak üzere BC kontrol biriminde kollara ayrıldığı bir sistemde çalışacak şekilde tasarlanmıştır.

- Boru uzunluğu ve izin verilen elevasyon farkı sınırlamaları için dış ünite elkitabına bakınız.
- Boru bağlantı yöntemi, pirinç kaynaklı bağlantıdır.

#### ⚠ Dikkat:

- İç ünitenin soğutucu borularını aşağıdaki talimatlara uygun olarak monte edin.

1. İç ünite borusunun ucunu kesin, gazı boşaltın ve sonra da sarı kaynaklı tapayı çıkarın.

#### [Fig. 9.1.1] (P.3)

- Ⓐ Buradan kesin
- Ⓑ Sarı kaynaklı tapayı çıkarın

2. Montaj yerindeki soğutucu borusunun üzerindeki termal izolasyonu çıkarın, ünite borusuna pirinç kaynağı yapın, sonra da izolasyonu tekrar yerine takın. Boruyu izolasyon bantıyla sarıncı.

#### Not:

- Boruyu sarma yoğunlaşmaya yol açılabileceğinden, bakır boruyu sararken özel dikkat gösteriniz.

- \* Soğutucu borusuna pirinç kaynağı yapmadan önce, ısı büzüşmesini ve termal yalıtım borusunun yanmasını önlemek için her zaman boruyu ve termal yalıtım borusunu nemli bez kullanarak ana gövdeye sarın. Alevin ana gövdeyle temas etmemesine özen gösterin.

#### [Fig. 9.1.2] (P.3)

- Ⓐ Termal izolasyon
- Ⓑ Çekin
- Ⓒ Nemli bezle sarın
- Ⓓ İlk konumuna getirin
- Ⓔ Burada boşluk olmasını sağlayın
- Ⓕ İzolasyon bantıyla sarıncı

### Soğutucu borularıyla ilgili uyarılar

- ▶ Boruya yabancı madde veya nem girmesini önlemek için oksitlenmeyen pirinç kaynağı kullanmaya dikkat edin.
- ▶ Geçme bağlantısının temas yüzeyine soğutma makine yağı sürünüz ve somun anahtarını kullanarak bağlantıyı sıkınız.
- ▶ İç üniteye ve boruya herhangi bir ağırlık binmemesi için soğutucu borusunu bir metal parçayla destekleyiniz. Bu destek parçası iç ünite geçme bağlantısından en az 50 cm mesafede uygulanmalıdır.

#### ⚠ Uyarı:

- Üniteyle birlikte verilen kılavuzlarda ve isim plakası üzerinde belirtilen tip dışında soğutucu kullanmayın.
  - Aksi halde üniteye veya borularda patlak oluşabilir ya da ünitenin kullanımı, tamiri veya bertaraf edilmesi sırasında patlama ya da yangın meydana gelebilir.
  - Aynı zamanda uygulanabilir yasalara aykırı da olabilir.
  - MITSUBISHI ELECTRIC CORPORATION yanlış tipte soğutucu kullanmaktan kaynaklanan arızalardan veya kazalardan sorumlu tutulamaz.
- Üniteyi monte ederken veya nakliye sırasında, ünite üzerinde belirtilen soğutucudan (R407C ya da R22) başka bir soğutucu doldurmayın.
  - Farklı bir soğutucu, hava vs. karıştırıldığı takdirde dondurucu devresinde arıza çikabilir ve bu hasara yol açabilir.

#### ⚠ Dikkat:

- JIS H3300 "Bakır ve bakır alaşımli kaynaklı boru ve tüpler" kapsamında belirtildiği gibi, C1220 (Cu-DHP) fosforlu, oksijeni çıkarılmış bakırdan yapılmış soğutucu borularını kullanın. Ayrıca, borunun iç ve dış yüzeylerini zararlı sülfür, oksitler, kir/toz, talaş, yağlar, nem ve diğer kirlenici maddelerden koruyun ve temiz tutun.
- Hiçbir zaman varolan soğutucu borularını kullanmayın.
  - Geleneksel soğutuculardaki aşırı miktardaki klorin ve varolan borulardaki soğutucu yağı, yeni soğutucunun bozulmasına neden olacaktır.
- Montajda kullanılacak boruları içerde depolayınız ve kaynaklaya kadar boruların iki ağzını kapalı tutunuz.
  - Toz, pislik veya su soğutucu devresine girerse, soğutucu yağının bozulmasına ve kompresör arızalarına yol açabilir.

## 10. Elektrik Tesisatı

### Elektrik tesisatıyla ilgili önlemler

#### ⚠ Uyarı:

- Elektrik işleri, "Elektrik Montajlarına İlişkin Fenni Standartlar" ve donanımla birlikte verilen montaj elkitabları uyarınca kalifiye elektrik teknisyenleri tarafından yapılmalıdır. Özel devreler de kullanılmalıdır. Eğer güç devresinin kapasitesi yeterli değilse veya montaj hatası varsa, elektrik çarpması veya yangın tehlikesi yaratabilir.

1. Elektrikçi özel şube devreden almaya dikkat ediniz.
2. Elektrik hattına bir toprak kaçağı devre kesicisi takmaya dikkat ediniz.
3. Üniteyi kontrol kutusu kablolarından herhangi birinin (uzaktan kumanda ünitesi, iletim kabloları veya harici giriş/çıkış hattı) ünite dışındaki elektrik kablolarına doğrudan doğruya temas etmesini önleyecek şekilde monte ediniz.
4. Kablo bağlantılarından hiçbirinde gevşeklik olmamasını sağlayınız.
5. Tavanın üzerindeki bazı kabloların (elektrik, uzaktan kumanda ünitesi, iletim kabloları veya harici giriş/çıkış hattı) fareler tarafından kemirilmiş olması mümkündür. Kabloları korumak için yeterli miktarda metal boru kullanarak kabloları bunların içinden geçirin.

## 9.2. Drenaj tesisatı işleri

1. Drenaj tesisatının dış (boşaltma) tarafta (1/100'den fazla) aşağıya doğru meyilli olmasını sağlayınız. Boru üzerinde sifon veya herhangi bir çıkıntı sağlamayınız. (1)
2. Varsa çapraz drenaj borusunun 20 m kısa olmasını sağlayınız (elevasyon farkı dışında). Eğer drenaj borusu uzun olursa, salınmasını önlemek için metal payandalarla destekleyiniz. Asla havalık borusu yapmayınız. Aksi takdirde boru muhtevası dışarı atılabilir.
3. Drenaj tesisatında VP-25 (32 mm dış çaplı) tip sert vinil klorür boru kullanınız.
4. Toplama boruların, Şekil 2'de gösterildiği gibi ünite gövdesi drenaj çıkışının 10 cm altında bulunmasını sağlayın.
5. Drenaj boşaltma çıkışına herhangi bir koku sifonu koymayınız.
6. Drenaj tesisatının çıkışını koku çıkarmayacak şekilde düzenleyiniz.
7. Drenaj borusunun ucunu iyonik gaz üreten tahliye borularına bağlamayınız.

#### [Fig. 9.2.1] (P.3)

- Ⓐ Aşağıya eğim 1/100 veya daha fazla
- Ⓑ Drenaj hortumu
- Ⓒ Ünite
- Ⓓ Toplama borusu
- Ⓔ Bu uzunluk en fazla yaklaşık 10 cm olmalıdır

## 9.3. Elektrik bağlantılarının yapılması

Kontrol kutusunun kapağındaki kullanma talimatlarında yer alan model adını bilgi levhasındaki model adı ile karşılaştırın, aynı olmalıdır.

#### İşlem 1

Terminal kutusu kapağını yerinde tutan vidaları çıkarın.

#### [Fig. 9.3.1] (P.3)

- Ⓐ Vidalar
- Ⓑ Ön panel
- Ⓒ Kontrol kutusu

#### Not:

Terminal kutusunun kapağını takarken kabloların sıkışmamasına dikkat edin. Sıkıştırılan kablolar kesilebilir.

#### ⚠ Dikkat:

Kabloları çekildiğinde gerilmeyecek şekilde monte edin. Gerilen kablolar kopabilir, ısınabilir ve yanabilir.

- Elektrik çarpmasını önlemek üzere, gerilme mukavemeti sağlamak için tampon burcu kullanarak güç kaynağı harici giriş/çıkış hattı kablolarını kontrol kutusuna tespit edin. (PG bağlantısı veya benzeri). İletim kablolarını iletim terminal blokuna kontrol kutusunun hazırlanmış delik yerinden geçirerek ve normal burçla bağlayın.
- Kablo bağlantıları tamamlandıktan sonra kablolarda gevşeklik olup olmadığını tekrar kontrol edin ve çıkarırken izlenen sıranın tersine göre kapağı kontrol kutusuna takın.

#### [Fig. 9.3.2] (P.3)

- Ⓐ Güç kaynağı terminal blokunun kablo bağlantı bölümüne dışardan gerilme kuvveti uygulanması için, PG bağlantı veya benzeri türünden tamponlayıcı burç kullanın.
- Ⓑ Harici sinyal giriş kablosu
- Ⓒ Harici sinyal çıkış kablosu
- Ⓓ Güç kaynağı kabloları
- Ⓔ Gerilme kuvveti
- Ⓕ Normal burç kullanın
- Ⓖ İletim kablosu ve MA uzaktan kumanda kablosu

#### ⚠ Dikkat:

Güç kaynağının kablo bağlantılarını gerilme olmayacak şekilde yapın. Aksi takdirde kablo çikabilir, ısınabilir ya da yangın çikabilir.

6. Elektrik kablosunu asla iletim kablolarına bağlamayın. Aksi takdirde kablolar bozulur.
7. Kontrol kablolarını iç üniteye, uzaktan kumanda ünitesine ve dış üniteye bağlamayı unutmayınız.
8. Ünitenin topraklandığından emin olun.
9. Sayfa 91 ' deki şartlara göre kontrol kablolarını seçiniz.

#### ⚠ Dikkat:

Üniteyi dış ünite tarafında topraklamaya dikkat ediniz. Toprak kablosunu hiçbir gaz borusuna, su borusuna, paratonere veya telefon toprak kablosuna bağlamayınız. Topraklama işleminin doğru yapılması elektrik çarpması tehlikesi doğurur.

### Kontrol kablosu türleri

#### 1. İletim kablosu tesisatı

- İletim kablosu türleri
  - Tesisatı aşağıdaki tablo <Tablo 1> uyarınca düzenleyiniz.
- Ek yalıtım ile birlikte verilen kabloları kullandığınızdan emin olun.

## 1. İletim kabloları

PWFY-P100VM-E-BU

	İletim kabloları	MA Uzaktan kumanda ünitesi kabloları	Harici giriş	Harici çıkış
Kablo tipi	Blendajlı kablo (2-hatlı) CVVS, CPEVS ya da MVVS	Kaplamalı 2 hatlı kablo (yalıtımlı) CVVS	Kaplamalı çok hatlı kablo (yalıtımlı) CVVS ya da MVVS	Kaplamalı çok hatlı kablo (yalıtımlı) CVVS ya da MVVS
Kablo çapı	1,25 mm <sup>2</sup> den fazla	0,3 ~ 1,25 mm <sup>2</sup> (0,75 ~ 1,25 mm <sup>2</sup> )*1	0,3 ~ 0,5 mm <sup>2</sup>	0,3 ~ 1,25 mm <sup>2</sup>
Açıklamalar	-	Maksimum uzunluk: 200 m	Maksimum uzunluk: 100 m	Nominal gerilim: L1-N: 220 - 240 V Nominal yük: 0,6 A

PWFY-P100/200VM-E1-AU

	İletim kabloları	MA Uzaktan kumanda ünitesi kabloları	Harici giriş	Harici çıkış
Kablo tipi	Blendajlı kablo (2-hatlı) CVVS, CPEVS ya da MVVS	Kaplamalı 2 hatlı kablo (yalıtımlı) CVVS	Kaplamalı çok hatlı kablo (yalıtımlı) CVVS ya da MVVS	Kaplamalı çok hatlı kablo (yalıtımlı) CVVS ya da MVVS
Kablo çapı	1,25 mm <sup>2</sup> den fazla	0,3 ~ 1,25 mm <sup>2</sup> (0,75 ~ 1,25 mm <sup>2</sup> )*1	0,3 ~ 0,5 mm <sup>2</sup>	0,3 ~ 1,25 mm <sup>2</sup>
Açıklamalar	-	Maksimum uzunluk: 200 m	Maksimum uzunluk: 100 m	Nominal gerilim: L1-N: 220 - 240 V Nominal yük: 0,6 A

\*1 Basit uzaktan kumanda ünitesine bağlı. CVVS, MVVS : PVC yalıtımlı PVC kaplamalı yalıtımlı kontrol kablosu  
CVV, MVV : PVC yalıtımlı PVC kaplamalı kontrol kablosu  
CPEVS : PE yalıtımlı PVC kaplamalı yalıtımlı iletişim kablosu

## 10.1. Elektrik besleme tesisi

- Aletlerin güç kaynak kabloları dizayn 245 IEC 57 veya 227 IEC 57 den daha hafif olmayacaktır.
- Her kutbunda en az 3 mm bağlantı ayırması olan anahtar klima tesisi tarafından sağlanacaktır.

## ELEKTRİK TESİSATI

### 1. Elektrik karakteristikleri

Model	Güç kaynağı				Kompresör		RLA (A)
	Hz	Voltlar	Gerilim aralığı	MCA (A)	Çıktı (kW)	SC (A)	Isıtma
PWFY-P100VM-E-BU	50/60	220-230-240 V	Maks. 264 V Min. 198 V	15,71	1,0	1,25	11,63-11,12-10,66

Model	Güç kaynağı				RLA (A)	
	Hz	Voltlar	Gerilim aralığı	MCA (A)	Soğutma	Isıtma
PWFY-P100VM-E1-AU PWFY-P200VM-E-1AU	50/60	220-230-240 V	Maks. 264 V Min. 198 V	0,085	0,068-0,065-0,063	

### 2. Güç kablosu spesifikasyonları

Model	Minimum kablo kalınlığı (mm <sup>2</sup> )			Akım kaçacağı için devre kesici	Yerel anahtar (A)		Kablo tesisi için devre kesici (NFB) (A)
	Ana kablo	kol	Toprak		kapasite	sigorta	
PWFY-P100VM-E-BU	2,5	-	2,5	30 A 30 mA 0,1 san veya altı	25	25	30

Model	Toplam işletme akımı	Minimum kablo kalınlığı (mm <sup>2</sup> )			Akım kaçacağı için devre kesici	Yerel anahtar (A)		Kablo tesisi için devre kesici (NFB) (A)
		Ana kablo	kol	Toprak		kapasite	sigorta	
PWFY-P100VM-E1-AU PWFY-P200VM-E1-AU	16 A veya daha az 25 A veya daha az 32 A veya daha az	1,5 2,5 4,0	1,5 2,5 4,0	1,5 2,5 4,0	20 A 30 mA 0,1 san veya altı 30 A 30 mA 0,1 san veya altı 40 A 30 mA 0,1 san veya altı	16 25 32	16 25 32	20 30 40

#### [Fig. 10.1.1] (P. 4)

- A Akım kaçacağı için devre kesici
- B Kablo tesisi için yerel anahtar ya da devre kesiciler
- C PWFY-P100VM-E-BU
- D PWFY-P100/200VM-E1-AU
- E Çekme Kutusu

#### ⚠ Dikkat:

Uygun kapasiteli devre kesici ve sigortadan başka birşey kullanmayınız. Fazla yüksek kapasiteli sigorta, kablo veya bakır tel kullanılması arıza veya yangın tehlikesi yaratır.

## 10.2. Uzaktan kumanda ünitesi, iç ve dış iletim kablolarının bağlanması

(Uzaktan kumanda ünitesi seçmeli donanım olarak mevcuttur.)

- TB5 ünitesi ve TB3 dış ünitesinin bağlanması. (Kutupsuz 2-telli (yalıtımlı)) TB5 ünitesindeki "S", blendajlı kablo bağlantısıdır. Kablo bağlantılarına ilişkin spesifikasyonlar için dış ünite talimat elkitabına bakınız.
- Uzaktan kumanda ünitesini birlikte verilen elkitabına göre monte ediniz.
- TB15 ünitesindeki "1" ve "2"yi bir MA uzaktan kumanda ünitesine bağlayın. (Kutupsuz 2 tel)

#### [Fig. 10.2.1] (P.4) MA Uzaktan kumanda ünitesi

- 1 ile 2 arasında DC 10 – 13 V (MA Uzaktan kumanda ünitesi)

#### [Fig. 10.2.2] (P.4) MA Uzaktan kumanda ünitesi

- MA uzaktan kumanda ünitesi aynı anda veya birbirlerinin yerine kullanılmaz.

- A Kutupsuz
- B TB15 (MA Uzaktan kumanda ünitesi kabloları)
- C MA Uzaktan Kumanda ünitesi
- D TB5 (İletim kabloları)
- E TB2 (Güç kaynağı tesisi)

#### Not:

Terminal kutusunun kapağını takarken kabloların sıkışmamasına dikkat edin. Sıkıştırılan kablolar kesilebilir.

#### ⚠ Dikkat:

- Kabloları tamamlayıcı yalıtımla birlikte kullanın.
- TB142A, TB142B, ve TB142C girişi voltaj taşıyamamalıdır.
- Harici giriş/çıkışa bağlı ekipmandan gelen kablolarla tamamlayıcı yalıtım bulunmalıdır.
- PG vidası bağlantısına izin vermek için harici giriş/çıkış için tekli çok bağlantılı kablo kullanın.

#### ⚠ Dikkat:

Güç kaynağının kablo bağlantılarını gerilme olmayacak şekilde yapın. Aksi takdirde kablo çıkabilir, ısınabilir ya da yangın çıkabilir.

## 10.3. Harici giriş/çıkış fonksiyonu

### Önceden ayarlanmış sıcaklık girişi (harici analog giriş: 4mA-20mA)

Harici giriş, devre kartındaki CN421, CN422 üzerindeki giriştir. (Fig 10.3.1)

Verilen konektörü kullanın.

MA uzaktan kumanda ünitesi ile herhangi bir sıcaklık ayarının yapılmamış olması halinde, sıcaklık akımı birlikte değişir.

Ayarların nasıl yapılacağı hakkında bilgi için MA uzaktan kumanda ünitesiyle birlikte verilen talimatlar kılavuzuna bakınız.

4 mA → 10 °C      20 mA → 70 °C

#### Not:

Yalıtımlı bir 4-20 mA sinyal çıkışlı cihaz kullanın.

### Harici çıkış terminali

Devre açık durumda iken harici çıkış terminali (bakınız Fig 10.3.2) etkin değildir. Her bir temas hakkında bilgi için Tablo 10.3.2'ye bakınız.

Harici çıkış terminaline (TB141A OUT1) bağlanacak devredeki akım ve voltaj, aşağıdaki koşulları karşılamalıdır.

		Temas derecesi akımı
Temas derecesi voltajı	AC250V	1A ya da düşük
	AC125V	3A ya da düşük
	DC30V	3A ya da düşük

Tablo 10.3.2

OUT1	İşlem AÇIK/KAPALI
OUT2	Defrost (Buz Çözme)
OUT3	Kompresör
OUT4	Hata sinyali

### Harici giriş terminali

Kablo uzunluğu 100 m.'ye kadar olmalıdır.

Devre açık durumda iken harici giriş terminali (bakınız Fig 10.3.3) etkin değildir.

Her bir temas hakkında bilgi için Tablo 10.3.3 ile Tablo 10.3.5 arasında bakınız.

Devre kısa devre yaptığında yalnızca "pompa kilitleme" fonksiyonu etkisizleşir.

Fig 7.4.1'de gösterildiği gibi harici çıkış terminaline bir röle devresi bağlayın.

Bağlanacak olan röle devresinin spesifikasyonları aşağıdaki şartları karşılamalıdır.

Temas nominal gerilimi  $\geq$  DC15V

Temas nominal akımı  $\geq$  0,1A

Uygulanabilir minimum yük  $\leq$  DC' de 1mA

Tablo 10.3.3

<PWFY-P100VM-E-BU>

TB142A

IN1	Pompa kilidi
-----	--------------

<PWFY-P100/200VM-E1-AU>

TB142A

IN1	Akış anahtarı
-----	---------------

Tablo 10.3.4

TB142B

IN3	Bağlantı gerekliliği
IN4	İşlem AÇIK/KAPALI

Tablo 10.3.5

TB142C

COM+	Ortak
IN5*1	Sıcak Su/Isıtma
IN6*2	Isıtma ECO
IN7*3	Antifriz (donma önleyici)

\*1 PWFY-P100VM-E-BU Sıcak Su

PWFY-P100/200VM-E1-AU Isıtma

\*2 SW 4-3, ON (AÇIK) konumuna ayarlandığında etkin.

\*3 SW 4-4, ON (AÇIK) konumuna ayarlandığında etkin.

\*4 Isıtma ECO ya da Antifriz modunu ayarlarken, tüm ünitelerin (dış/iç üniteler) tüm güç kaynaklarını sıfırlayın.

## 10.4. Adreslerin düzenlenmesi

(bu işlemi ana elektrik kaynağı kapatılmış (OFF) durumda yapmaya dikkat ediniz.)

[Fig. 10.4.1] (P. 4)

<Adres paneli>

• İki tür döner anahtar ayarı vardır: 1 – 9 arasındaki ve 10'un üzerindeki adreslerin düzenlenmesi ve şube numaralarının düzenlenmesi.

① Adreslerin düzenlenmesi

Örnek: Eğer Adres "3" ise, SWU2'yi (10'un üstü için) "0" olarak bırakınız ve SWU1'i (1 – 9 için) "3" ile eşleyiniz.

② SWU3 Branşman numaralarının düzenlenmesi (Yalnız R2 serileri)

İç mekan ünitesinin soğutucu borusunu BC kontrol ünitesinin uç bağlantı numarası ile eşleştirin. R2 dışındakileri "0" olarak bırakın.

• Tüm döner anahtarlar fabrikadan "0" a düzenlenmiş olarak sevk edilir. Bu anahtarlar, ünite adreslerini ve branşman numaralarını isteğe göre düzenlemek için kullanılabilir.

• İç ünite adresleri tesiste kullanılan sisteme göre değişir. Onları ayarlamak için veri kitabına başvurunuz.

## 11. Sınıflandırma plakasındaki bilgiler

### ⚠ Uyarı:

Üniteyle birlikte verilen kılavuzlarda ve isim plakası üzerinde belirtilen tip dışında soğutucu kullanmayın.

- Aksi halde üniteye veya borularda patlak oluşabilir ya da ünitenin kullanımı, tamiri veya bertaraf edilmesi sırasında patlama ya da yangın meydana gelebilir.

- Aynı zamanda uygulanabilir yasalara aykırı da olabilir.

- MITSUBISHI ELECTRIC CORPORATION yanlış tipte soğutucu kullanmaktan kaynaklanan arızalardan veya kazalardan sorumlu tutulamaz.

Model	PWFY-P100VM-E-BU	PWFY-P100VM-E1-AU	PWFY-P200VM-E1-AU
Soğutucu (kg)	R134a	1,1	-
	R410A	4,15	4,15
İzin verilen basınç (MPa)	R134a	3,60	-
	su	1,0	1,0
Net ağırlık (kg)	60	35	38

1. Bezpečnostní opatření.....	93	7.2. Instalace izolace.....	96
1.1. Před instalací a elektroinstalací.....	93	7.3. Úprava vody a kontrola kvality vody.....	96
1.2. Bezpečnostní opatření pro zařízení využívající chladivo R410A.....	93	7.4. Zablokování čerpadla.....	97
1.3. Před instalací.....	94	8. Specifikace chladicího potrubí a odtokového potrubí.....	97
1.4. Před instalací (přesunutím) – elektroinstalace.....	94	8.1. Chladicí potrubí, odtokové potrubí a plnicí místo.....	97
1.5. Před zkušební provozem.....	94	9. Připojení chladicího a odtokového potrubí.....	97
2. O výrobku.....	94	9.1. Chladicí potrubí.....	97
3. Technické údaje.....	95	9.2. Odtokové potrubí.....	98
4. Potvrzení připojených součástí.....	95	9.3. Zapojení elektrických kontaktů.....	98
5. Způsob zdvihání.....	95	10. Elektrické zapojení.....	98
6. Instalace jednotky a servisní prostor.....	95	10.1. Zapojení napájení.....	99
6.1. Instalace.....	95	10.2. Připojení dálkového ovladače a vnitřních a vnějších přenosových kabelů.....	99
6.2. Servisní prostor.....	95	10.3. Funkce externího vstupu/výstupu.....	99
7. Instalace vodního potrubí.....	95	10.4. Nastavení adres.....	100
7.1. Bezpečnostní opatření během instalace.....	96	11. Údaje na typovém štítku.....	100

## 1. Bezpečnostní opatření

### 1.1. Před instalací a elektroinstalací

▶ Před instalací jednotky si přečtěte všechna „Bezpečnostní opatření“.

▶ „Bezpečnostní opatření“ poskytují velmi důležité pokyny týkající se bezpečnosti. Dbejte na jejich dodržování.

#### Symbole používané v textu

##### ⚠ Varování:

Popisuje opatření, jejichž dodržování chrání uživatele před zraněním nebo smrtí.

##### ⚠ Upozornění:

Popisuje opatření, jejichž dodržování chrání jednotku před poškozením.

#### Symbole používané ve vyobrazeních

⊘ : Označuje činnost, již je třeba zamezit.

⚠ : Označuje důležité pokyny, které je třeba dodržovat.

⚠ : Označuje díl, který musí být uzemněn.

⚠ : Nebezpečí úrazu elektrickým proudem. (Tento symbol je zobrazen na štítku hlavní jednotky.) <Barva: Žlutá>

⚠ : Pozor na horký povrch

##### ⚠ Varování:

**Důkladně si přečtěte štítky na hlavní jednotce.**

##### ⚠ Varování:

- Je-li napájecí kabel poškozený, musí jej z důvodu bezpečnosti vyměnit výrobce, jeho servisní zástupce nebo obdobně kvalifikované osoby.
- Toto zařízení nesmí používat osoby (včetně dětí) se sníženou fyzickou, smyslovou nebo duševní schopností, bez dostatečných zkušeností a znalostí, pokud nejsou pod dohledem nebo nebyly proškoleny o používání zařízení osobou, která nese za jejich bezpečnost odpovědnost.
- Nepoužívejte takový typ chladiva, který je odlišný od typu uvedeného v příručkách dodávaných s jednotkou a na typovém štítku.
  - Použijete-li nesprávný typ, během používání, během provádění opravy nebo v okamžiku likvidace jednotky může dojít k prasknutí jednotky nebo potrubí, explozi nebo vzniku požáru.
  - Může to být také v rozporu s platnými zákony.
  - Společnost MITSUBISHI ELECTRIC CORPORATION není zodpovědná za poruchy nebo nehody způsobené použitím nesprávného typu chladiva.
- Nepoužívejte ocelové trubky jako vodní trubky.
  - Doporučují se měděné trubky.
- Vodní okruh by měl být uzavřený.
- Svěřte instalaci klimatizace prodejci nebo oprávněnému technikovi.
  - Nesprávná instalace uživatelem může způsobit únik vody, úraz elektrickým proudem nebo požár.
- Instalujte jednotku na místě, které vydrží její váhu.
  - Nedostatečná pevnost může způsobit pád jednotky a následná zranění.
- Nedotýkejte se jednotky. Povrch jednotky může být horký.
- Neinstalujte jednotku v místech, kde vzniká korozivní plyn.
- K zapojení použijte určené kabely. Zajistěte řádné spoje, aby vnější síla kabelu nepůsobila na svorky.
  - Neodpovídající spoj a upevnění může mít za následek únik tepla a následný požár.
- Připravte ho na déšť, ostatní vlhkost a zemětřesení a nainstalujte jednotku na stanoveném místě.
  - Nesprávná instalace může mít za následek pád jednotky a zranění.
- Vždy používejte síto a ostatní příslušenství stanovené společností Mitsubishi Electric.
  - Svěřte instalaci příslušenství oprávněnému technikovi. Nesprávná instalace uživatelem může způsobit únik vody, úraz elektrickým proudem nebo požár.

- Nikdy jednotku neopravujte. Pokud musí být klimatizační jednotka opravena, kontaktujte prodejce.
  - V případě nesprávné opravy jednotky může dojít k úniku vody, úrazu elektrickým proudem nebo požáru.
- Nedotýkejte se chladicího potrubí ani vodního potrubí.
  - Nesprávná manipulace může mít za následek zranění.
- Při manipulaci s produktem vždy používejte ochranné prostředky, například rukavice, ochranu celých paží, konkrétně montérky, a ochranné brýle.
  - Nesprávná manipulace může mít za následek zranění.
- Pokud při instalaci uniká chladicí plyn, větrejte místnost.
  - Pokud se chladicí plyn dostane do kontaktu s ohněm, vznikají jedovaté plyny.
- Instalujte jednotku podle této příručky k instalaci.
  - V případě nesprávné instalace jednotky může dojít k úniku vody, úrazu elektrickým proudem nebo požáru.
- Veškeré elektroinstalační práce svěřte oprávněnému elektrotechnikovi v souladu s předpisy „Průmyslové normy pro elektrická zařízení“, „Předpisů pro vnitřní rozvody“ a pokyny uvedenými v této příručce. Vždy používejte samostatný okruh.
  - Pokud kapacita zdroje energie neodpovídá nebo pokud je elektroinstalace nesprávně provedená, hrozí úraz elektrickým proudem nebo požár.
- Zabraňte kontaktu elektroinstalačních částí s vodou (při omývání atd.).
  - Mohlo by to mít za následek úraz elektrickým proudem, vzplanutí nebo vznik kouře.
- Řádně instalujte kryt (panel) svorkovnice jednotky zdroje tepla.
  - Nebude-li kryt (panel) svorkovnice řádně nainstalován, může do jednotky zdroj tepla vnikat prach nebo voda, což může mít za následek požár nebo úraz elektrickým proudem.
- Při instalaci a přesunu klimatizační jednotky na jiné místo ji nepiňte chladivem odlišným od chladiva uvedeného na jednotce (R410A).
  - Pokud se s původním chladivem smísí jiné chladivo nebo vzduch, funkce chladicího okruhu může být narušena a jednotka se může poškodit.
- Pokud je klimatizační jednotka instalována v malé místnosti, je nutné provést opatření proti překročení bezpečnostního limitu koncentrace chladiva pro případ úniku chladiva.
  - Příslušná opatření proti překročení bezpečnostního limitu konzultujte s prodejcem. V případě úniku chladiva a překročení bezpečnostního limitu hrozí nebezpečí nedostatku kyslíku v místnosti.
- Při instalaci a přesunu klimatizační jednotky kontaktujte prodejce nebo oprávněného technika.
  - V případě nesprávné instalace klimatizační jednotky může dojít k úniku vody, úrazu elektrickým proudem nebo požáru.
- Po dokončení instalačních prací zkontrolujte, zda neuniká chladicí plyn.
  - Pokud chladicí plyn uniká a dostává se do styku s teplovzdušným topidlem, vařičem, troubou nebo jiným zdrojem tepla, mohou vzniknout jedovaté plyny.
- Neměňte konstrukci nebo nastavení ochranných zařízení.
  - Pokud bude zkratován a úmyslně spuštěn tlakový spínač, tepelný spínač nebo jiné ochranné zařízení nebo pokud budou používány jiné díly, než díly určené společností Mitsubishi Electric, hrozí nebezpečí požáru nebo výbuchu.
- Při likvidaci produktu kontaktujte prodejce.
- Expert na instalaci a systém musí zajistit ochranu před únikem kapalin podle místních předpisů či norem.
  - V případě, že nejsou k dispozici místní předpisy, mohou platit následující normy.
- Věnujte pozornost místu, jako je podklad apod., kde může být uschován chladicí plyn, protože chladicí plyn je těžší než vzduch.
- Děti musí být pod dohledem, aby bylo zaručeno, že si se zařízením nebudou hrát.

### 1.2. Bezpečnostní opatření pro zařízení využívající chladivo R410A

##### ⚠ Varování:

- Nepoužívejte takový typ chladiva, který je odlišný od typu uvedeného v příručkách dodávaných s jednotkou a na typovém štítku.
  - Použijete-li nesprávný typ, během používání, během provádění opravy nebo v okamžiku likvidace jednotky může dojít k prasknutí jednotky nebo potrubí, explozi nebo vzniku požáru.

- Může to být také v rozporu s platnými zákony.
- Společnost MITSUBISHI ELECTRIC CORPORATION není zodpovědná za poruchy nebo nehody způsobené použitím nesprávného typu chladiva.

#### ⚠ Upozornění:

- **Nepoužívejte stávající chladicí potrubí.**
  - Staré chladivo a chladicí olej ve stávajícím potrubí obsahuje velké množství chlórů, který může způsobit znehodnocení chladicího oleje v nové jednotce.
  - R410A je vysokotlaké chladivo a může způsobovat popraskání stávajícího potrubí.
- **Používejte chladicí potrubí z materiálu C1220 (Cu-DHP) - fosforová odkysličená měď - podle normy JIS H3300 „Bezešvé potrubí a trubky z mědi a měděných slitin“.** Dále zkontrolujte, zda je vnitřní i vnější povrch potrubí čistý a bez nebezpečné síry, oxidů, prachu/nečistot, jehel, oleje, vlhkosti nebo jiného znečištění.
  - Znečištění uvnitř chladicího potrubí může způsobit znehodnocení zbytkového chladicího oleje.
- **Potrubí, jež se bude používat během instalace, skladujte ve vnitřních prostorech a s oběma konci utěsněnými až do okamžiku těsně před pájením. (Kolena a jiné spoje skladujte v igelitovém sáčku.)**
  - Pokud se do chladicího okruhu dostane prach, nečistoty nebo voda, může dojít ke znehodnocení oleje a kompresoru.
- **Jako chladicí olej pro krytí rozšíření a přírubových spojů používejte esterový olej, éterový olej nebo alkybenzen (malé množství).**
  - Pokud se chladivo smísí s velkým množstvím minerálního oleje, znehodnotí se.
- **K plnění soustavy používejte kapalné chladivo.**
  - Pokud je k utěsnění soustavy použito plyné chladivo, složení chladiva ve válci se změní a může se snížit výkon.
- **Nepoužívejte jiná chladiva než R410A.**
  - Pokud smícháte jiné chladivo (R22 atd.) s chladivem R410A, může chlor v chladivu způsobit degradaci chladicího oleje.
- **Používejte podtlakové čerpadlo se zpětným pojistným ventilem.**
  - Olej podtlakového čerpadla může natéci zpět do chladicího okruhu a znehodnotit chladicí olej.
- **Nepoužívejte následující přístroje používané s tradičními chladivy. (Měřič potrubí, hadice náplně, detektor úniku plynu, zpětný pojistný ventil, podklad chladicí náplně, zařízení na regeneraci chladiva.)**
  - Pokud se klasické chladivo a chladicí olej vmísí do R410A, chladivo se může znehodnotit.
  - Pokud se do chladiva R410A vmísí voda, chladicí olej se může znehodnotit.
  - Protože chladiva R410A neobsahují chlór, detektory úniku plynu pro tradiční chladiva s nimi nebudou reagovat.
- **Nepoužívejte plnicí válec.**
  - Použitím plnicího válce může dojít ke znehodnocení chladiva.
- **Zvláštní opatření dbejte při ovládání přístrojů.**
  - Pokud se do chladicího okruhu dostane prach, nečistota nebo voda, chladivo se může znehodnotit.

## 1.3. Před instalací

#### ⚠ Upozornění:

- **Neinstalujte jednotku v místech s možným únikem výbušného plynu.**
  - Pokud se unikající plyn nahromadí v okolí jednotky, může dojít k výbuchu.
- **Nepoužívejte klimatizační jednotku v místech uchovávání potravin, výskytu domácích zvířat, rostlin, přesných nástrojů nebo uměleckých předmětů.**
  - Může dojít ke snížení kvality potravin atd.
- **Nepoužívejte klimatizační jednotku ve zvláštním prostředí.**
  - Olej, pára, sirmé plyny atd. mohou výrazně snížit výkon klimatizační jednotky nebo poškodit její části.
- **Při instalaci jednotky v nemocnici, v místech komunikace nebo podobných místech zajistěte dostatečnou ochranu proti hluku.**
  - Převodníky, soukromé generátory energie, vysokofrekvenční medicínská zařízení nebo radiokomunikační zařízení mohou způsobovat nesprávnou funkci klimatizační jednotky nebo její funkci znemožnit. Dále může klimatizační jednotka ovlivnit tato zařízení produkováním hluku, který narušuje lékařskou péči nebo vysílání.
- **Neinstalujte jednotku na konstrukcích, jež mohou způsobit únik.**
  - Pokud přesáhne vlhkost v místnosti 80 % nebo dojde k ucpaní odtokového potrubí, z vnitřní jednotky může odkapávat vysrážená voda. Zajistěte společný odtok s jednotkou, jak je požadováno.

## 1.4. Před instalací (přesunutím) – elektroinstalace

#### ⚠ Upozornění:

- Uzemněte jednotku.

## 2. O výrobku

#### ⚠ Varování:

- **Nepoužívejte takový typ chladiva, který je odlišný od typu uvedeného v příručkách dodávaných s jednotkou a na typovém štítku.**
  - Použijete-li nesprávný typ, během používání, během provádění opravy nebo v okamžiku likvidace jednotky může dojít k prasknutí jednotky nebo potrubí, explozi nebo vzniku požáru.
  - Může to být také v rozporu s platnými zákony.
  - Společnost MITSUBISHI ELECTRIC CORPORATION není zodpovědná za poruchy nebo nehody způsobené použitím nesprávného typu chladiva.
- Tato jednotka používá chladivo typu R410A.

- Nepřipojujte zemnicí kabel k plynovému nebo vodnímu potrubí, hromosvodu nebo telefonnímu podzemnímu vedení. Nesprávné uzemnění může způsobit úraz elektrickým proudem.

- **Instalujte napájecí kabel tak, aby na něj nepůsobily žádné síly pnutí.**
  - Pnutí může způsobit přetržení kabelu a následně únik tepla a požár.
- **Nainstalujte jistič při úniku, jak je požadováno.**
  - Nebude-li jistič při úniku instalován, může dojít k úrazu elektrickým proudem.
- **Používejte síťové kabely dostatečné proudové kapacity a jmenovité hodnoty.**
  - Příliš malé kabely mohou způsobovat únik a tvorbu tepla a následně požár.
- **Používejte pouze jističe a pojistky určené kapacity.**
  - Pojistka nebo jistič větší kapacity nebo ocelový či měděný vodič mohou mít za následek všeobecné selhání jednotky nebo požár.
- **Neomývejte klimatizační jednotku.**
  - Při omývání může dojít k úrazu elektrickým proudem.
- **Dbejte, aby se instalační základna nepoškodila dlouhým používáním.**
  - Pokud bude poškození ponecháno bez nápravy, jednotka může spadnout a způsobit zranění nebo poškození majetku.
- **Instalací odtokového potrubí dle této příručky k instalaci zajistěte řádný odtok. Obalením potrubí tepelnou izolací zamezte kondenzaci.**
  - Nesprávné odtokové potrubí může způsobovat únik vody a poškození zařízení a jiného majetku.
- **Věnujte zvláštní pozornost přepravě produktu.**
  - Pokud hmotnost produktu přesahuje 20 kg, nesmí jej nést pouze jedna osoba.
  - Některé produkty jsou baleny pomocí PP pásy. Nepoužívejte PP pásku jako prostředek při přepravě. Je to nebezpečné.
  - Při přepravě jednotku podepřete na určených místech podkladu. Rovněž jednotku podepřete ve čtyřech bodech, aby nemohla sklouznout.
- **Bezpečně zlikvidujte obalový materiál.**
  - Obalový materiál, například hřebíky a další kovové nebo dřevěné části, mohou způsobit propíchnutí nebo jiná zranění.
  - Roztrhejte a zlikvidujte igelitové obalové pytle, aby si s nimi nemohly hrát děti. Pokud se dětem dostane do rukou ke hře neroztrhaný igelitový pytel, hrozí riziko udušení.

## 1.5. Před zkušebním provozem

#### ⚠ Upozornění:

- **Kód chyby "7130" se zobrazí pokud jsou splněny obě následující podmínky.**
  - Jednotka PWFY je připojena k venkovní jednotce série Y.
  - Verze softwaru je jedna z níže jmenovaných.
    - Série PWFY: dřívější než Ver. 1.13
    - Série Y(YHM): dřívější než Ver. 12.27
    - Série Y(YJM): dřívější než Ver. 1.31
    - Série Replace Y(YJM): dřívější než Ver. 11.31
    - Série HP(ZUBADAN): dřívější než Ver. 22.27
    - Série WY: dřívější než Ver. 12.29
- **Zapněte napájení nejméně 12 hodin před spuštěním provozu.**
  - Spuštěním provozu okamžitě po zapnutí hlavního vypínače napájení můžete způsobit vážné poškození vnitřních částí. V průběhu provozní sezóny nechejte hlavní vypínač zapnutý.
- **Nedotýkejte se vypínačů mokřma rukama.**
  - Dotykem mokrou rukou můžete utrpět úraz elektrickým proudem.
- **Nedotýkejte se chladicího potrubí během provozu a těsně po něm.**
  - Během provozu a těsně po něm může být potrubí horké nebo studené, podle stavu chladiva procházejícího potrubím, kompresorem a dalšími součástmi chladicího okruhu. Při dotyku můžete utrpět popáleniny nebo omrznutí rukou.
- **Nespouštějte klimatizační jednotku s odkrytými panely a sejmutými kryty.**
  - Otáčivé, horké nebo vysokonapěťové části mohou způsobit zranění.
- **Ne vypínejte napájení okamžitě po zastavení provozu.**
  - Před vypnutím napájení vždy vyčkejte nejméně pět minut. V opačném případě může dojít k úniku vody a problémům.
- **Při provádění údržby se nedotýkejte povrchu kompresoru.**
  - Je-li jednotka připojena k napájení a není spuštěná, topení klikové skříně u kompresoru běží.
- **Nedotýkejte se panelů v blízkosti výfukového výstupu ventilátoru holýma rukama. Panely se mohou při provozu jednotky nebo bezprostředně po něm zahřívát (i když je jednotka zastavená) a představují riziko popálení. Je-li nutné se panelů dotknout, noste na ochranu rukavice.**
- **Během provozu jednotky nebo bezprostředně po něm může z výfukového výstupu ventilátoru vystupovat horký výfukový vzduch. Nedávejte nad výstup ruce a nedotýkejte se panelů v blízkosti výstupu.**
- **Zajistěte, aby výfukový vzduch z ventilátoru měl kudy unikat.**
- **Vodní potrubí se může velmi zahřívát, v závislosti na přednastavené teplotě. Obalte vodovodní trubky izolačním materiálem, aby se předešlo popálení.**

- Potrubí systému využívajícího chladivo R410A se může odlišovat od potrubí systému pracujícího s tradičním chladivem, protože konstrukční tlaky systému pro chladivo R410A jsou vyšší. Další informace naleznete v příručce s technickými údaji.
- Některé nástroje a a zařízení používané pro instalaci systémů využívajících jiné typy chladiva nelze u systémů s chladivem R410A použít. Další informace naleznete v příručce s technickými údaji.
- Nepoužívejte stávající potrubí, protože obsahuje chlór, který je běžně obsažen v tradičním chladicím oleji a chladivu chladicích zařízeních. Chlór způsobuje degradaci stavu chladicího oleje v novém zařízení. Stávající potrubí nesmí být používáno proto, že konstrukční tlak systémů pracujících s chladivem R410A je vyšší než u systémů pracujících s jinými chladivy a stávající trubky by mohly prasknout.

### 3. Technické údaje

#### ⚠ Varování:

Nepoužívejte takový typ chladiva, který je odlišný od typu uvedeného v příručkách dodávaných s jednotkou a na typovém štítku.

- Použijete-li nesprávný typ, během používání, během provádění opravy nebo v okamžiku likvidace jednotky může dojít k prasknutí jednotky nebo potrubí, explozi nebo vzniku požáru.
- Může to být také v rozporu s platnými zákony.
- Společnost MITSUBISHI ELECTRIC CORPORATION není zodpovědná za poruchy nebo nehody způsobené použitím nesprávného typu chladiva.

Model		PWFY-P100VM-E-BU	PWFY-P100VM-E1-AU		PWFY-P200VM-E1-AU
Hladina hluku		44dB<A>	29dB<A>		29dB<A>
Chladivo		R134a × 1,1 kg	-		-
Čistá hmotnost		60 kg	35 kg		38 kg
Dimenzovaný tlak	R410A MPa	4,15	4,15		4,15
	R134a MPa	3,60	-		-
	Voda MPa	1,00	1,00		1,00
Připojitelnost Vnější jednotka	Celková kapacita	50~100 % kapacity vnější jednotky		Možné připojení pouze k jedné venkovní jednotce	50~100 % kapacity vnější jednotky
	Model/množství	Pouze R2, sérii Replace R2, sérii WR2	Y, sérii Replace Y, sérii HP(ZUBADAN), sérii WY, R2, sérii Replace R2, sérii WR2	PUMY-P-V/YHMB(-BS)	Y, sérii Replace Y, sérii HP(ZUBADAN), sérii WY, R2, sérii Replace R2, sérii WR2
Teplotní rozsah Ohřev	Vnější tepl.	-20~32 °CWB (59~90 °F)	-20~32 °CWB (-4~90 °F) série PURY -20~15,5 °CWB (-4~60 °F) série PUHY	-15~21 °CDB (5~70 °F), -15~15 °CWB (5~59 °F)	-20~32 °CWB (-4~90 °F) série PURY -20~15,5 °CWB (-4~60 °F) série PUHY
	Tepl. vstupní vody	10~70 °C (50~158 °F)	10~40 °C (50~104 °F)	10~45 °C (50~113 °F)	10~40 °C (50~104 °F)
Teplotní rozsah Chlazení	Vnější tepl.	-	-5~43 °CDB (23~110 °F) série PURY -5~43 °CDB (23~110 °F) série PUHY	-	-5~43 °CDB (23~110 °F) série PURY -5~43 °CDB (23~110 °F) série PUHY
	Tepl. vstupní vody	-	10~35 °C (50~95 °F)	-	10~35 °C (50~95 °F)

### 4. Potvrzení připojených součástí

- ① Síto      ② Tepelněizolační materiál      ③ Připojovací sady × 2      ④ Dilatační spoj × 2 (PWFY-P200VM-E1-AU)      ⑤ Drát      ⑥ Průtokový spínač (PWFY-P100/P200VM-E1-AU)

### 5. Způsob zdvihání

#### ⚠ Upozornění:

Při přenášení výrobku buďte velmi opatrní.

- Zajistěte, aby výrobek o hmotnosti nad 20 kg přenášela více než jedna osoba.
- K balení některých výrobků se používají PP pásy. Nepoužívejte je jako přepravní prostředek, protože jsou nebezpečné.
- Roztrhejte plastový obal a zlikvidujte ho, aby si s ním nemohly hrát děti. Plastový obal by jinak mohl způsobit smrt dítěte udušením.

### 6. Instalace jednotky a servisní prostor

#### 6.1. Instalace

- Pomocí níže vyobrazených zakotvovacích otvorů jednotku pevně přišroubujte k podkladu.

[Fig. 6.1.1] (Str.2)

- Ⓐ 4-ø14 (zakotvovací otvor)      Ⓑ (pohled shora)

#### Podklady

- Instalujte jednotku na místě, které je dostatečně pevné na to, aby vydrželo její váhu. Je-li podklad nestabilní, zpevněte ho betonem.
- Jednotka musí být zakotvena na vodorovné ploše. Po instalaci zkontrolujte vodorovnou polohu pomocí vodováhy.
- Je-li jednotka instalována na místě, kde se vyskytují problémy s hlukem, doporučuje se používat na podkladu protivibrační stojan.

#### ⚠ Varování:

- Instalujte jednotku na místě, které je dostatečně pevné na to, aby vydrželo její váhu. Nedostatečná pevnost může způsobit pád jednotky, a tím i poranění osob.
- Zajistěte funkčnost instalace, aby byla zaručena ochrana proti zemětřesení. Jakékoliv nedostatky v instalaci mohou způsobit pád jednotky, a tím i poranění osob.

#### 6.2. Servisní prostor

- Počítejte prosím s následujícími servisními prostory po instalaci. (Veškerý servis lze provádět z prostoru před jednotkou.)

[Fig. 6.2.1] (Str.2)

Model	a	b	c
PWFY-P100VM-E-BU	400	300	600
PWFY-P100VM-E1-AU	400	300	600
PWFY-P200VM-E1-AU	400	300	600

- Ⓐ Prostor pro potrubí (pravá strana)      Ⓑ Pohled shora  
Ⓒ Servisní prostor (čelní strana)

### 7. Instalace vodního potrubí

- Před delší dobou nepoužívání vypusťte vodu z potrubí a nechte potrubí řádně vyschnout.
- Používejte uzavřený vodní okruh.
- Je-li jednotka v chladicím režimu, přilijte do proudící vody solný roztok, aby nedošlo k zamrznutí.
- Při použití solného roztoku musí být DipSW 1-10 nastaven na ON (Zapnuto).
- V případě instalace v prostředí s nízkou okolní teplotou zajistěte, aby voda neustále obíhala. Pokud to není možné, vypusťte veškerou vodu z potrubí nebo nalijte solný roztok do vodního potrubí.
- Vodu použitou pro tuto jednotku nepoužívejte k pití či zpracování jídla.
- Nepoužívejte ocelové trubky jako vodní trubky.

Model	Vstup vody	Výstup vody
PWFY-P100VM-E-BU	Šroub PT 3/4	Šroub PT 3/4
PWFY-P100VM-E1-AU	Šroub PT 3/4	Šroub PT 3/4
PWFY-P200VM-E1-AU *1 Jsou-li nainstalované připojení dilatační spoje.	Šroub PT 1*1	Šroub PT 1*1

## 7.1. Bezpečnostní opatření během instalace

- Pomocí zpětné/vratné metody zajistíte správný odpor potrubí vůči každé jednotce.
- Pro umožnění snadné údržby, kontroly a výměny na jednotce použijte na místě pro vstup a výstup vody vhodný spoj, ventil atd. Dále nezapomeňte na trubce pro přívod vody nainstalovat síto. (Pro údržbu jednotky je nutné síto na přívodu oběhové vody.)
- Nainstalujte na vodním potrubí vhodné odvodušnění. Poté co necháte potrubím projít vodu, nezapomeňte vypustit přebytečný vzduch.
- V chladných částech jednotky zdroj tepla se může tvořit kondenzovaná voda. K vypuštění vody použijte odtokovou trubku připojenou k vypouštěcímu ventilu na podkladu jednotky.
- Nainstalujte na čerpadle ventil zabraňující zpětnému toku a flexibilní spoj zabraňující nadměrným vibracím.
- V místech, kde trubky procházejí stěnou, je chraňte pouzdrem.
- Zabezpečte trubky pomocí kovových fitinků a nainstalujte je tak, aby byly maximálně chráněny před zlomy a ohyby.
- Nezaměňujte ventily pro přívod a odvod vody.
- Tato jednotka neobsahuje ohřivač, který by chránil trubky před vnitřním zamrzáním. Když zastavíte tok vody při nízké okolní teplotě, vypusťte z trubek vodu.
- Nepoužívané vyražené otvory by měly být zavřené a otvor chladicích trubek, vodních trubek, zdroje napájení a přenosových kabelů by měl být naplněn tmelem atd., aby se předešlo vnikání vody.
- Instalujte síto pod úhlem 45° nebo menším, jak je to znázorněno na [Fig. 7.1.2].
- Šroubovou část obalte těsnicí páskou, aby se předešlo únikům vody.
- Obtočte těsnicí pásku následujícím způsobem.
  - Obtočte spoj těsnicí páskou ve směru závitů (po směru hodinových ručiček) a zabraňte, aby páska přesahovala přes okraj.
  - Nechte pásku překrývat o dvě třetiny až tři čtvrtiny její šířky při každé otáčce. Stiskněte pásku prsty tak, aby byla pevně přitisknuta proti každému závitu.
  - Ponechte alespoň 1,5 až 2 závitů neobalené.
- Instalujte dodané síto na vstupu vody.
- Když instalujete potrubí nebo síto, přidržujte trubku na straně jednotky na místě pomocí maticového klíče. Utáhněte šrouby na točivý moment 50 N·m.

### ② Norma kvality vody

Položky	Vodní systém pro nižší teploty středního rozsahu Tepl. vody ≤ 60 °C		Vodní systém pro vyšší teploty středního rozsahu Tepl. vody > 60 °C		Tendence	
	Oběhová voda	Plnicí voda	Oběhová voda	Plnicí voda	Korozivní	Sedimentující
pH (25 °C)	7,0 ~ 8,0	7,0 ~ 8,0	7,0 ~ 8,0	7,0 ~ 8,0	○	○
Elektrická vodivost (mS/m) (25 °C) (μ s/cm) (25 °C)	30 nebo méně [300 nebo méně]	30 nebo méně [300 nebo méně]	30 nebo méně [300 nebo méně]	30 nebo méně [300 nebo méně]	○	○
Chloridový ion (mg Cl/ℓ)	50 nebo méně	50 nebo méně	30 nebo méně	30 nebo méně	○	
Sulfátový ion (mg SO <sub>4</sub> <sup>2-</sup> /ℓ)	50 nebo méně	50 nebo méně	30 nebo méně	30 nebo méně	○	
Spotřeba kyseliny (pH4,8) (mg CaCO <sub>3</sub> /ℓ)	50 nebo méně	50 nebo méně	50 nebo méně	50 nebo méně		○
Celková tvrdost (mg CaCO <sub>3</sub> /ℓ)	70 nebo méně	70 nebo méně	70 nebo méně	70 nebo méně		○
Tvrdost vápníku (mg CaCO <sub>3</sub> /ℓ)	50 nebo méně	50 nebo méně	50 nebo méně	50 nebo méně		○
Ionový oxid křemičitý (mg SiO <sub>2</sub> /ℓ)	30 nebo méně	30 nebo méně	30 nebo méně	30 nebo méně		○
Železo (mg Fe/ℓ)	1,0 nebo méně	0,3 nebo méně	1,0 nebo méně	0,3 nebo méně	○	○
Měď (mg Cu/ℓ)	1,0 nebo méně	1,0 nebo méně	1,0 nebo méně	1,0 nebo méně	○	
Sulfidový ion (mg S <sup>2-</sup> /ℓ)	nelze zjistit	nelze zjistit	nelze zjistit	nelze zjistit	○	
Amonný ion (mg NH <sub>4</sub> <sup>+</sup> /ℓ)	0,3 nebo méně	0,1 nebo méně	0,1 nebo méně	0,1 nebo méně	○	
Reziduální chlor (mg Cl/ℓ)	0,25 nebo méně	0,3 nebo méně	0,1 nebo méně	0,3 nebo méně	○	
Volný oxid uhličitý (mg CO <sub>2</sub> /ℓ)	0,4 nebo méně	4,0 nebo méně	0,4 nebo méně	4,0 nebo méně	○	
Ryznerův index stability	-	-	-	-	○	○

Reference: Směrnice ke kvalitě vody pro chladicí a klimatizační zařízení.  
(JRA GL02E-1994)

- Před použitím azntikokorozních řešení pro řízení kvality vody se poraďte o způsobech kontroly kvality vody a výpočtech kvality vody s expertem na kontrolu kvality vody.
- Při výměně dříve nainstalovaného klimatizačního zařízení (i v případě, že se vyměňuje pouze výměník tepla) nejdříve proveďte rozbor kvality vody a zkontrolujte, zda nedochází ke korozi.  
Ke korozi může v systémech studené vody docházet, i když se předtím žádné známky koroze neprojevovaly.  
Pokud úroveň kvality vody klesá, dostatečně kvalitu vody upravte, než vyměníte jednotku.

- Vodní potrubí se může velmi zahřívát, v závislosti na přednastavené teplotě. Obalte vodovodní trubky izolačním materiálem, aby se předešlo popálení.
- U modelu PWFY-P200VM-E1-AU instalujte dilatační spoj (příslušenství) na vstupu po instalaci síta a na výstupu.

### Příklad instalace jednotky (za použití vodního potrubí)

[Fig. 7.1.1] (Str.2)

- Ⓐ Závěrový ventil
- Ⓑ Vstup vody
- Ⓒ Výstup vody
- Ⓓ Chladicí potrubí
- Ⓔ Síto typu Y
- Ⓕ Odtokové potrubí
- Ⓖ Dilatační spoj

## 7.2. Instalace izolace

Povrchová teplota vodního potrubí může být velmi vysoká, v závislosti na nastavené teplotě. Aby se předešlo popálení, opatřete potrubí izolací. Při provozu modelu PWFY-P100/P200VM-E1-AU se studenou vodou izolujte vodní potrubí, aby se předešlo kondenzaci.

Obalte vodní potrubí izolačním materiálem, jak je to znázorněno na [Fig. 7.2.1].

- Veškeré potrubí zdroje tepla.
- Vnitřní potrubí v chladných regionech, kde hrozí zamrzání potrubí.
- Když vzduch proudící zvenčí způsobuje kondenzaci na potrubí.
- Veškeré odtokové potrubí.

[Fig. 7.2.1] (Str.2)

- Ⓐ Tepelněizolační materiál (příslušenství)
- Ⓑ Vstříknete těsnicí materiál

## 7.3. Úprava vody a kontrola kvality vody

Pro zachování kvality vody používejte vodní okruh uzavřeného typu. Když je kvalita oběhové vody nízká, mohou se ve výměníku tepla vody tvořit usazeniny, což vede ke snížení výkonnosti při výměně tepla a eventuálně také ke korozi výměníku tepla. Věnujte prosím při instalaci systému oběhu vody zvýšenou pozornost úpravě vody a kontrole kvality vody.

- Odstraňování cizích těles a nečistot v potrubí.  
Při instalaci dávejte pozor, aby se do potrubí nedostala cizí tělesa, jako např. úlomky ze svařování, částičky těsnicí hmoty nebo rez.
- Úprava kvality vody

- V závislosti na kvalitě vody může docházet ke korozi měděného potrubí výměníku tepla. Doporučujeme pravidelnou úpravu kvality vody. Systémy oběhu vody využívající otevřené tepelné zásobní nádrže jsou ke korozi zvláště náchylné.  
V případě použití otevřené tepelné zásobní nádrže nainstalujte výměník tepla voda/voda a na straně klimatizačního zařízení použijte obvod v podobě uzavřené smyčky. Je-li nainstalována nádrž pro přívod vody, udržujte kontakt se vzduchem na minimu a zajistěte, aby hladina kyslíku rozpuštěného ve vodě nepřekročila 1 mg/ℓ.



## 7.4. Zablokování čerpadla

Abyste mohli uskutečnit zkušební chod před zablokováním okruhu čerpadla, zkratujte the koncový blok TB142A (IN1) a pak proveďte zkušební chod.

Jednotka se může poškodit, pokud se používá, aniž by v potrubí obíhala voda.

<PWFY-P100VM-E-BU>

Nezapomeňte zablokovat provoz jednotky a čerpadlo vodního okruhu. Použijte blokovací svorky TB142A (IN1), které se nacházejí na jednotce.

[Fig. 7.4.1] (P.2)

<PWFY-P100/200VM-E1-AU>

<Zablokování čerpadla>

V systému včetně PWFY-P100/P200VM-E1-AU může proudící voda zamrznout a způsobit poruchu jednotky. Proveďte elektrickou činnost podle [Fig. 7.4.2], aby nedošlo k zamrznutí vody.

<Průtokový spínač>

Při instalaci jednotky je nutné nainstalovat dodávaný průtokový spínač na výstupní stranu vody jednotky a připojit vodič ke svorce IN1 svorkovnice TB142A na jednotce. Pokud průtokový spínač není nainstalovaný, jednotka bude odesílat chybový signál (2100: chyba vzájemného spojení) a nebude funkční.

\* Vodič pro spojení na krátko je dodávaný, ale slouží pouze pro zkušební chod.

<Montážní postupy>

① Demontujte potrubí připojená k průtokovému spínači.

**Poznámka:** Jednotka je dodávána s volně utaženými potrubími.

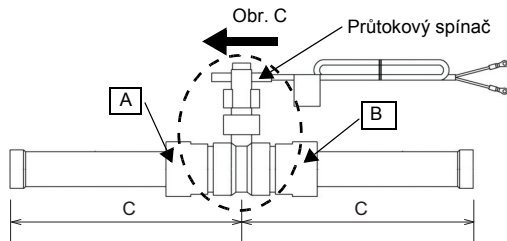
② Naviňte těsnicí pásku na závity na konci potrubí, přičemž začněte na 1,5 nebo 2. závitu a dávejte pozor, abyste nezakryli otvory. Aplikujte dvě až tři ovinutí ve směru závitů potrubí (ve směru hodinových ručiček). Každá vrstva pásky musí překrývat předchozí vrstvu o 2/3 až 3/4 šířky pásky. Prsty přejíždějte po závitěch, abyste do nich zatlačili pásku.

Poté připojte potrubí k průtokovému spínači, přičemž držte část A a B klíčem. Maximální uťahovací moment je 60 Nm (611 kgf·cm).

③ Připojte průtokový spínač a potrubí k výstupu vody ve vodorovné poloze. Sklon osy potrubí musí být menší než 45 stupňů.

Zkontrolujte směr průtokového spínače podle obrázku C.

④ Připojte vodič průtokového spínače ke svorce IN1 na svorkovnici TB142A.



	C
PWFY-P100VM-E1-AU	175 mm
PWFY-P200VM-E1-AU	205 mm

Nastavte DipSW podle tabulky níže.

DipSW3-6	Externí výstupní kontakt
Zapnuto	Efektivní při zapnutém termostatu
Vypnuto	Efektivní při Funktions Zapnutí (Zapnutí dálkového ovladače)

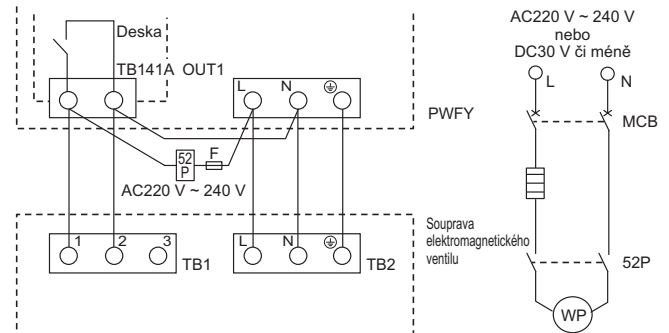
Zkontrolujte, zda jste zapnuli napájení čerpadla, regulace nefunguje, je-li napájení čerpadla vypnuto.

<PAC-SV01PW-E>

Vodiče připojte, jak je znázorněno na [Fig. 7.4.3], pokud blokuje provoz čerpadla s jinými jednotkami A připojíte soupravu elektromagnetického ventilu (PAC-SV01PW-E) k systému, který obsahuje venkovní jednotky řady Y, venkovní jednotky řady HP(ZUBADAN), vnitřní jednotky a PWFY-P100/P200VM-E1-AU.

Nastavte Dip SW3-6 na ON (Zap.). Přesvědčte se, že verze softwaru je 1.18 či novější.

[Fig. 7.4.3]



F: Pojistka

52P: Magnetický stykač pro vodní čerpadlo zdroje tepla

MCB: Elektrický jistič

WP: Vodní čerpadlo

## 8. Specifikace chladicího potrubí a odtokového potrubí

Chcete-li zamezit odkapávání kondenzátu, zajistěte dostatečnou protikondenzační a izolační opatření na chladicím a odtokovém potrubí.

Používáte-li komerčně dostupné chladicí potrubí (jak pro kapalnou, tak pro plynnou náplň), zajistěte obalení běžně dostupným izolačním materiálem (s odolností vůči

teplu vyšší než 100 °C a níže uvedenou tloušťkou).

Zajistěte také obalení veškerého potrubí procházejícího místnostmi běžně dostupným izolačním materiálem (tvarovaný polyetylén s měrnou hmotností 0,03 a níže uvedenou tloušťkou).

① Zvolte tloušťku izolačního materiálu podle rozměrů potrubí.

Model	PWFY-P100VM-E-BU	PWFY-P100VM-E1-AU	PWFY-P200VM-E1-AU
Plyn	ø15,88	ø15,88	ø19,05
Kapalina	ø9,52	ø9,52	ø9,52
Odtok		ø32	
Tloušťka izolačního materiálu	Více než 10 mm		

② Pokud se jednotka používá v nejvyšším patře budovy a za vysokých teplot a vlhkosti, je nutné použít rozměry potrubí a tloušťku izolačního materiálu větší, než uvádí tabulka.

③ Pokud jsou k dispozici specifikace zákazníka, postupujte podle nich.

### 8.1. Chladicí potrubí, odtokové potrubí a plnicí místo

[Fig. 8.1.1] (Str.3)

Ⓐ Chladicí potrubí (plyn)

Ⓑ Chladicí potrubí (kapalina)

Ⓒ Vstup vody

Ⓓ Výstup vody

Ⓔ Vypouštěcí otvor

\*1: PWFY-P100/200VM-E1-AU

## 9. Připojení chladicího a odtokového potrubí

### 9.1. Chladicí potrubí

Chladicí potrubí musí být provedeno podle příruček k instalaci pro vnější jednotku i ovladač BC (současné chlazení a topení - řada R2).

• Řada R2 je zkonstruována pro provoz v soustavě, kde chladicí potrubí přechází z vnější jednotky do ovladače BC, a v něm se dělí a propojuje vnitřní jednotky.

- Informace o omezeních délky potrubí a povolených rozdílech v převýšení naleznete v příručce pro vnější jednotku.
- Metodou spojování potrubí je pájení.

⚠ **Upozornění:**

- Chladicí potrubí pro vnitřní jednotku instalujte podle následujících pokynů.

1. Odřízněte konec potrubí vnitřní jednotky, odstraňte plyn a poté odstraňte pájenou čepičku.

**[Fig. 9.1.1] (Str.3)**

- A Zde odřízněte
- B Odstraňte pájenou čepičku

2. Stáhněte tepelnou izolaci na místním chladicím potrubí, spájejte potrubí jednotky a vraťte izolaci do původní polohy.  
Obalte potrubí izolační páskou.

**Poznámka:**

- **Věnujte velkou pozornost obalování měděného potrubí, protože by mohlo namísto předcházení kondenzaci naopak kondenzaci způsobovat.**
- \* Před spájením chladicího potrubí vždy obalte potrubí v části hlavního tělesa a tepelněizolační potrubí vlhkými hadry, aby se předešlo tepelnému smršťování a opalování tepelněizolačního potrubí. Zajistěte, aby se plamen nedostal do styku se samotným hlavním tělesem.

**[Fig. 9.1.2] (Str.3)**

- A Tepelná izolace
- B Stáhněte izolaci
- C Obalte ji mokrou textilií
- D Vraťte do původní polohy
- E Zkontrolujte, zda zde není žádná mezera
- F Obalte izolační páskou

## Upozornění pro chladicí potrubí

- ▶ Používejte neokysličený pájení, aby se zajistilo, že do potrubí nevniknou žádná cizí tělesa nebo vlhkost.
- ▶ Zajistěte používání chladicího strojního oleje na rozšířené spoje a utáhněte spoje pomocí dvojitého klíče.
- ▶ K nesení chladicího potrubí použijte kovovou vzpěru, aby na koncové potrubí vnitřní jednotky nepůsobila žádná zátěž. Tato kovová vzpěra musí být 50 cm od rozšířeného spoje vnitřní jednotky.

### ⚠ Varování:

- **Nepoužívejte takový typ chladiva, který je odlišný od typu uvedeného v příručkách dodávaných s jednotkou a na typovém štítku.**
  - Použijete-li nesprávný typ, během používání, během provádění opravy nebo v okamžiku likvidace jednotky může dojít k prasknutí jednotky nebo potrubí, explozi nebo vzniku požáru.
  - Může to být také v rozporu s platnými zákony.
  - Společnost MITSUBISHI ELECTRIC CORPORATION není zodpovědná za poruchy nebo nehody způsobené použitím nesprávného typu chladiva.
- **Při instalaci a přesunu neplňte jednotku jiným chladivem než tím uvedeným na jednotce (R407C či R22).**
  - Vmísení odlišného chladiva, vzduchu atd. může způsobit poruchu okruhu a vážné škody.

### ⚠ Upozornění:

- **Používejte chladicí potrubí z materiálu C1220 (Cu-DHP) – fosforová odkysličená měď - podle normy JIS H3300 „Bezešvé potrubí a trubky z mědi a měděných slitin“.** Dále zkontrolujte, zda je vnitřní i vnější povrch potrubí čistý a bez nebezpečné síry, oxidů, prachu/nečistot, jehel, oleje, vlhkosti nebo jiného znečištění.
- **Nikdy nepoužívejte stávající chladicí potrubí.**
  - Velké množství chlórů v tradičních chladivech a chladicí olej ve stávajících potrubích způsobí znehodnocení nového chladiva.
- **Potrubí, jež se bude používat během instalace, skladujte ve vnitřních prostorech a s oběma konci utěsněnými až do okamžiku těsně před pájením.**
  - Pokud se do chladicího okruhu dostane prach, nečistoty nebo voda, může dojít ke znehodnocení oleje a poruše kompresoru.

## 9.2. Odtokové potrubí

1. Zajistěte, aby bylo odtokové potrubí ve spádu (více než 1/100) směrem k vnější (odtokové) straně. Na trase nesmí být žádné odlučovače nebo jiné nerovnosti. (1)
2. Zajistěte, aby bylo příčné odtokové potrubí kratší než 20 m (bez ohledu na převýšení). Pokud je odtokové potrubí dlouhé, pomocí kovových vzpěr zamezte vlnění. Nikdy neinstalujte žádné odvzdušňovací potrubí. V opačném případě může dojít k úniku odtoku.
3. Pro odtokové potrubí používejte trubku z tvrdého vinylchloridu VP-25 (s vnějším průměrem 32 mm).
4. Zajistěte, aby byly sběrné trubky o 10 cm níže než místo odtoku tělesa jednotky, jak je to znázorněno u čísla 2.
5. V místě odtoku neinstalujte žádné digestoře.
6. Umístěte konec odtokového potrubí do polohy, v níž se nevytváří žádný zápach.
7. Neumísťujte konec odtokového potrubí do odtoku, v němž se tvoří iontové plyny.

**[Fig. 9.2.1] (Str.3)**

- A Spád 1/100 nebo větší
- B Odtoková hadice
- C Jednotka
- D Společné potrubí
- E Maximalizujte tuto délku na cca 10 cm

## 9.3. Zapojení elektrických kontaktů

Ověřte si, zda je název modelu v návodu k obsluze na krytu ovládací skříňky shodný s názvem modelu na typovém štítku.

**Krok 1:**

Demontujte šrouby upevňující kryt skříň svorkovnice.

**[Fig. 9.3.1] (Str.3)**

- A Šrouby
- B Čelní panel
- C Ovládací skříňka

**Poznámka:**

**Ujistěte se, že kabeláž není při naklápění krytu svorkovnice nijak poškozena. Protržení kabeláže může způsobit její poškození.**

### ⚠ Upozornění:

**Kabeláž nesmí být napnutá a v tahu. Kabeláž v tahu se může porušit nebo přehřát a spálit.**

- Aby se předešlo elektrickému šoku, připevněte externí vstupní/výstupní kabeláž zdroje napájení pomocí tlumicího pouzdra pro tažnou sílu k ovladači. (Připojení PG nebo podobné.) Přenosové kabely připojte k přenosové svorkovnici prostřednictvím vyraženého otvoru ovládací skříňky s použitím běžné vložky.
- Po dokončení zapojení zkontrolujte ještě jednou, zda na připojeních nedochází k průvěsu, a podle postupu opačného k postupu sejmutí připevněte kryt na ovládací skříň.

**[Fig. 9.3.2] (Str.3)**

- A Zamezte působení vnější tahové síly na elektrické zapojení svorkového lůžka napájení použitím tlumicí vložky, např. připojení PG nebo podobného.
- B Externí signální vstupní kabel
- C Externí signální výstupní kabel
- D Zapojení napájení
- E Tahová síla
- F Použití běžné vložky
- G Přenosový kabel a kabel dálkového ovládání MA

### ⚠ Upozornění:

**Při zapojení napájení nesmí docházet k tahu na kabelech. V opačném případě může nastat odpojení, přehřátí nebo požár.**

## 10. Elektrické zapojení

### Opatření pro elektrické zapojení

#### ⚠ Varování:

**Elektrické zapojení musí provádět kvalifikovaný elektrotechnik v souladu s „Průmyslovými normami pro elektroinstalace“ a s dodanými příručkami k instalaci. Rovněž je třeba používat zvláštních okruhů. Pokud bude mít napájecí obvod nedostatečnou kapacitu nebo dojde k poruše instalace, může dojít k úrazu el. proudem nebo požáru.**

1. Zajistěte odběr elektrické energie ze speciální proudové odbočky.
2. Nezapomeňte na instalaci ochranného jističe proti zemnímu spojení.
3. Instalujte jednotku tak, abyste zamezili přímému kontaktu jakéhokoliv kabelu ovládacího obvodu (dálkové ovládání, přenosové kabely nebo externí vstupní/výstupní kabely) s napájecím kabelem vně jednotky.
4. Zkontrolujte, zda nejsou připojené vodiče prověřené.
5. Některé kabely (napájecí kabely, kabely dálkového ovládání, přenosové kabely, externí vstupní/výstupní kabel) nad podhledem by mohly rozkousat myši. Použijte co nejvíce kovových trubek k ochraně kabelů.

6. Nikdy nepřipojujte napájecí kabel ke svazkům přenosových kabelů. V opačném případě by mohlo dojít k porušení kabelů.
7. Připojte ovládací kabely k vnitřní jednotce, dálkovému ovladači a vnější jednotce.
8. Nezapomeňte jednotku uzemnit.
9. Vyberte ovládací kabely podle podmínek uvedených na straně 99.

### ⚠ Upozornění:

**Na straně vnější jednotky umístěte jednotku na zem. Nepřipojujte zemnicí kabel k plynovému potrubí nebo vodnímu potrubí, hromosvodu nebo telefonnímu podzemnímu vedení. Neúplné uzemnění může způsobit úraz el. proudem.**

### Typy ovládacích kabelů

#### 1. Zapojení přenosových kabelů

- Typy přenosových kabelů
- Zapojení řešte podle následující tabulky <Tabulka 1>.
- Je nutné používat kabely dodávané s předavnou izolací.

## 1. Přenosové kabely

PWFY-P100VM-E-BU

	Přenosové kabely	Kabely dálkového ovládání MA	Externí vstup	Externí výstup
Typ kabelu	Stíněný kabel (2žilový) CVVS, CPEVS či MVVS	Opláštěný 2žilový kabel (stíněný) CVVS	Opláštěný vícežilový kabel (stíněný) CVVS či MVVS	Opláštěný vícežilový kabel (stíněný) CVVS či MVVS
Průměr kabelu	Více než 1,25 mm <sup>2</sup>	0,3 ~ 1,25 mm <sup>2</sup> (0,75 ~ 1,25 mm <sup>2</sup> )*1	0,3 ~ 0,5 mm <sup>2</sup>	0,3 ~ 1,25 mm <sup>2</sup>
Poznámky	-	Max. délka: 200 m	Max. délka: 100 m	Jmenovité napětí: L1-N: 220–240 V Jmenovité zatížení: 0,6 A

PWFY-P100/200VM-E1-AU

	Přenosové kabely	Kabely dálkového ovládání MA	Externí vstup	Externí výstup
Typ kabelu	Stíněný kabel (2žilový) CVVS, CPEVS či MVVS	Opláštěný 2žilový kabel (stíněný) CVVS	Opláštěný vícežilový kabel (stíněný) CVVS či MVVS	Opláštěný vícežilový kabel (stíněný) CVVS či MVVS
Průměr kabelu	Více než 1,25 mm <sup>2</sup>	0,3 ~ 1,25 mm <sup>2</sup> (0,75 ~ 1,25 mm <sup>2</sup> )*1	0,3 ~ 0,5 mm <sup>2</sup>	0,3 ~ 1,25 mm <sup>2</sup>
Poznámky	-	Max. délka: 200 m	Max. délka: 100 m	Jmenovité napětí: L1-N: 220–240 V Jmenovité zatížení: 0,6 A

\*1 Připojeno k jednoduchému dálkovému ovládání. CVVS, MVVS : stíněný ovládací kabel izolovaný a potažený PVC  
CVV, MVV : ovládací kabel izolovaný a opláštěný PVC  
CPEVS : stíněný komunikační kabel izolovaný PE a potažený PVC

## 10.1. Zapojení napájení

- Napájecí kabely zařízení nesmí být lehčí konstrukce než stanovují normy 245 IEC 57 nebo 227 IEC 57.
- Před instalací klimatizační jednotky musí být vypínač s mezerou mezi kontakty nejméně 3 mm.

## ELEKTROINSTALAČNÍ PRÁCE

### 1. Elektrické charakteristiky

Model	Napájení				Kompresor		RLA (A)
	Hz	Volty	Rozsah napětí	MCA (A)	Výstup (kW)	SC (A)	Ohřev
PWFY-P100VM-E-BU	50/60	220-230-240 V	Max. 264 V Min. 198 V	15,71	1,0	1,25	11,63-11,12-10,66

Model	Napájení				RLA (A)	
	Hz	Volty	Rozsah napětí	MCA (A)	Chlazení	Ohřev
PWFY-P100VM-E1-AU PWFY-P200VM-E1-AU	50/60	220-230-240 V	Max. 264 V Min. 198 V	0,085	0,068-0,065-0,063	

### 2. Technické údaje napájecích kabelů

Model	Minimální tloušťka drátu (mm <sup>2</sup> )			Vypínač pro proudový svod	Místní vypínač (A)		Vypínač pro kabeláž (NFB) (A)
	Hlavní kabel	větev	Země		kapacita	pojistka	
PWFY-P100VM-E-BU	2,5	-	2,5	30 A 30 mA 0,1 s nebo méně	25	25	30

Model	Minimální tloušťka drátu (mm <sup>2</sup> )			Vypínač pro proudový svod	Místní vypínač (A)		Vypínač pro kabeláž (NFB) (A)		
	Hlavní kabel	větev	Země		kapacita	pojistka			
PWFY-P100VM-E1-AU PWFY-P200VM-E1-AU	Celkový provozní proud	16 A nebo méně	1,5	1,5	1,5	20 A 30 mA 0,1 s nebo méně	16	16	20
		25 A nebo méně	2,5	2,5	2,5	30 A 30 mA 0,1 s nebo méně	25	25	30
		32 A nebo méně	4,0	4,0	4,0	40 A 30 mA 0,1 s nebo méně	32	32	40

#### [Fig. 10.1.1] (Str.4)

- Ⓐ Vypínač pro proudový svod
- Ⓑ Místní vypínač nebo vypínač pro kabeláž
- Ⓒ PWFY-P100VM-E-BU
- Ⓓ PWFY-P100/200VM-E1-AU
- Ⓔ Připojovací skříň

#### ⚠ Upozornění:

Nepoužívejte žádné jiné prvky než jističe a pojistky správné kapacity. Použitím pojistky, drátu nebo měděného drátu s příliš velkou kapacitou může dojít k poruše funkce nebo k požáru.

## 10.2. Připojení dálkového ovladače a vnitřních a vnějších přenosových kabelů

(Dálkový ovladač je volitelně k dispozici).

- Připojte jednotku TB5 a vnější jednotku TB3. (nepolarizovaná dvoulinka (stín))  
Písmeno „S“ na jednotce TB5 značí připojení stíněným kabelem. Specifikace připojovacích kabelů naleznete v příručce k instalaci vnější jednotky.
- Podle příručky dálkového ovládání nainstalujte dálkové ovládání.
- Připojte svorky „1“ a „2“ na jednotce TB15 k dálkovému ovládání MA. (nepolarizovaná dvoulinka)

#### [Fig. 10.2.1] (Str.4) Dálkové ovládání MA

- DC 10 – 13 V mezi sv. 1 a 2 (dálkové ovládání MA)

#### [Fig. 10.2.2] (Str.4) Dálkové ovládání MA

- Dálkové ovládání MA nelze použít současně nebo zaměnitelně.

- Ⓐ Nepolarizovaný
- Ⓑ TB15 (Kabely dálkového ovládání MA)
- Ⓒ Dálkové ovládání MA
- Ⓓ TB5 (Přenosové kabely)
- Ⓔ TB2 (Napájecí kabeláž)

#### Poznámka:

Zajistěte, aby při instalaci krytu svorkovnice nedošlo ke skřípnutí vodičů. Skřípnutí může vodiče přerušit.

#### ⚠ Upozornění:

- Používejte kabely s přidavnou izolací.
- Vstup do TB142A, TB142B a TB142C by neměl být zatížen napětím.
- Kabely vedoucí ze zařízení zapojené do vnějšího vstupu/výstupu by měly mít přidavnou izolaci.
- Pomocí jednoho vícežilového kabelu pro externí vstup/výstup umožněte připojení ke šroubu PG.

#### ⚠ Upozornění:

Napájení připojte tak, aby nedocházelo k pnutí. V opačném případě může dojít k odpojení, ohřevu nebo požáru.

## 10.3. Funkce externího vstupu/výstupu

Vstup přednastavené teploty (externí analogový vstup: 4 mA – 20 mA)

Externí vstup je vstup přes CN421 a CN422 na desce ovladače. (Fig. 10.3.1.)

Použijte dodaný konektor.

Pokud se pomocí dálkového ovládání MA nenastaví žádná teplota, mění se teplota podle proudu.

Pokyny k nastavení najdete v návodu, který jste dostali s dálkovým ovládáním MA.

4 mA → 10 °C      20 mA → 70 °C

#### Poznámka:

Použijte výstupní signálové zařízení s izolací 4-20 mA.

CZ

### Externí výstupní svorka

Externí výstupní svorka (viz Fig. 10.3.2) není funkční, pokud je obvod otevřený. V tabulce 10.3.2 najdete informace o každém kontaktu. Proud a napětí pro připojení k externímu výstupnímu terminálu (TB141A OUT1) musí splňovat následující podmínky.

		Kontaktní jmenovitý proud
Kontaktní jmenovité napětí	AC250V	1A nebo méně
	AC125V	3A nebo méně
	DC30V	3A nebo méně

Tabulka 10.3.2

OUT1	Provoz ON/OFF
OUT2	Odmrazování
OUT3	Kompresor
OUT4	Chybový signál

### Externí vstupní svorka

Délka vodiče nesmí přesahovat 100 m. Externí vstupní svorka (viz Fig. 10.3.3) není funkční, pokud je obvod otevřený. V tabulkách 10.3.3 až 10.3.5 najdete informace o každém kontaktu. Při zkratování obvodu je neaktivní pouze funkce „zablokování čerpadla“. Připojte k externí výstupní svorce reléový obvod, jak je to znázorněno na Fig. 7.4.1. Technické údaje reléového obvodu, který má být připojen, musí splňovat následující podmínky.

Kontaktní jmenovité napětí  $\geq$  DC15V  
Kontaktní jmenovitý proud  $\geq$  0,1A  
Minimální příslušné zatížení  $\leq$  1mA, DC

Tabulka 10.3.3

<PWFY-P100VM-E-BU>

TB142A

IN1	Zablokování čerpadla
-----	----------------------

<PWFY-P100/200VM-E1-AU>

TB142A

IN1	Průtokový spínač
-----	------------------

Tabulka 10.3.4

TB142B

IN3	Požadavek připojení
IN4	Provoz ON/OFF

Tabulka 10.3.5

TB142C

COM+	Společné
IN5*1	Horká voda / ohřev
IN6*2	Ohřev ECO
IN7*3	Proti zamrznání

\*1 PWFY-P100VM-E-BU Horká voda  
PWFY-P100/200VM-E1-AU Ohřev

\*2 Funguje, když je SW 4-3 nastaveno na ON.

\*3 Funguje, když je SW 4-4 nastaveno na ON.

\*4 Při nastavení vytápění ECO nebo režimu proti zamrznutí, nastavte znovu napájení všech jednotek (venkovní/vnitřní jednotky).

## 10.4. Nastavení adres

(Pozor - pracujte při VYPNUTÉM (OFF) hlavním vypínači.)

[Fig. 10.4.1] (Str.4)

<Panel adres>

- K dispozici jsou dva typy nastavení otočného přepínače: nastavení adres od 1 – 9 a nad 10 a nastavení čísel větví.
  - Jak nastavit adresy  
Příklad: Pokud je adresa „3“, nechejte SWU2 (pro hodnoty nad 10) na hodnotě „0“ a nastavte SWU1 (pro hodnoty od 1 do 9) na hodnotu „3“.
  - Jak nastavit čísla větví SWU3 (pouze řada R2)  
Přifaďte chladicí potrubí vnitřní jednotky k číslu koncového připojení ovladače BC. Nechte ostatní kromě R2 na „0“.
- Z výroby jsou všechny otočné přepínače nastaveny na hodnotu „0“. Tyto přepínače lze použít k libovolnému nastavení adres jednotky a čísel větví.
- Určení adres vnitřních jednotek se liší dle soustavy v daném místě. Nastavte je podle datové příručky.

## 11. Údaje na typovém štítku

### ⚠ Varování:

Nepoužívejte takový typ chladiva, který je odlišný od typu uvedeného v příručkách dodávaných s jednotkou a na typovém štítku.

- Použijete-li nesprávný typ, během používání, během provádění opravy nebo v okamžiku likvidace jednotky může dojít k prasknutí jednotky nebo potrubí, explozi nebo vzniku požáru.
- Může to být také v rozporu s platnými zákony.
- Společnost MITSUBISHI ELECTRIC CORPORATION není zodpovědná za poruchy nebo nehody způsobené použitím nesprávného typu chladiva.

Model		PWFY-P100VM-E-BU	PWFY-P100VM-E1-AU	PWFY-P200VM-E1-AU
Chladivo (kg)	R134a	1,1	–	–
	R410A	4,15	4,15	4,15
Přípustný tlak (MPa)	R134a	3,60	–	–
	voda	1,0	1,0	1,0
Čistá hmotnost (kg)		60	35	38

1. Bezpečnostné opatrenia .....	101	7.2. Inštalácia izolácie .....	104
1.1. Pred inštaláciou a elektroinštaláciami .....	101	7.3. Spracovanie vody a kontrola kvality vody .....	104
1.2. Upozornenia pre zariadenia, ktoré používajú chladiacu zmes R410A .....	102	7.4. Napojenie čerpadla .....	105
1.3. Pred nainštalovaním .....	102	8. Špecifikácie chladiacej rúry a odtokovej rúry .....	106
1.4. Pred nainštalovaním (premiestnením) - elektroinštalácia .....	102	8.1. Chladiaca rúra, odtoková rúra a plniaci otvor .....	106
1.5. Pred začatím skúšobnej prevádzky .....	102	9. Spájanie chladiacich rúr a odtokových rúr .....	106
2. O výrobku .....	103	9.1. Inštalácia chladiaceho potrubia .....	106
3. Špecifikácie .....	103	9.2. Inštalácia odtokového potrubia .....	106
4. Kontrolný zoznam súčastí .....	103	9.3. Pripojenie elektrických spojov .....	106
5. Metóda zdvíhania .....	103	10. Elektrické zapojenie .....	107
6. Inštalácia zariadenia a priestor na servis .....	103	10.1. Zapojenie sieťového privodu .....	107
6.1. Inštalácia .....	103	10.2. Pripojenie diaľkového ovládača, vnútorných a vonkajších prenosových káblov .....	108
6.2. Priestor na servis .....	104	10.3. Funkcia externého vstupu/výstupu .....	108
7. Inštalácia vodného potrubia .....	104	10.4. Nastavenie adries .....	108
7.1. Bezpečnostné opatrenia počas inštalácie .....	104	11. Informácie na výkonnostnom štítku .....	109

## 1. Bezpečnostné opatrenia

### 1.1. Pred inštaláciou a elektroinštaláciami

► **Pred nainštalovaním zariadenia si nezabudnite prečítať celú kapitolu „Bezpečnostné opatrenia“.**  
 ► **V kapitole „Bezpečnostné opatrenia“ sú uvedené veľmi dôležité ustanovenia týkajúce sa bezpečnosti. Uistite sa, že ich dodržiavate.**

#### Symbole použité v texte

##### ⚠ Varovanie:

Popisuje opatrenia, ktoré musia byť dodržané, aby sa predišlo nebezpečenstvu úrazu alebo ohrozenia života.

##### ⚠ Upozornenie:

Popisuje opatrenia, ktoré musia byť dodržané, aby sa predišlo poškodeniu zariadenia.

#### Symbole použité v ilustráciách

⊘ : Označuje činnosť, ktorú nesmiete vykonať.

⚠ : Označuje dôležitý pokyn, ktorý musíte dodržať.

⚠ : Označuje časť, ktorá musí byť uzemnená.

⚠ : Pozor, nebezpečenstvo úrazu elektrickým prúdom. (Tento symbol je zobrazený na štítku hlavnej časti zariadenia.) <Farba: Žltá>

⚠ : Pozor, horúci povrch

##### ⚠ Varovanie:

**Pozorne si prečítajte štítky pripevnené na hlavnej časti zariadenia.**

##### ⚠ Varovanie:

- Ak sa poškodí napájací kábel, musí ho vymeniť výrobca, jeho servisný technik alebo podobne kvalifikovaná osoba, aby ste sa vyhli nebezpečeniu.
- Toto zariadenie nie je určené na používanie osobami (vrátane detí), ktoré majú znížené fyzické, zmyslové alebo mentálne schopnosti alebo nedostatok skúseností a vedomostí, ak pri obsluhu zariadenia nie sú pod dohľadom alebo vedením osoby zodpovednej za ich bezpečnosť.
- Nepoužívajte chladiacu zmes iného typu, než je uvedená v návodoch dodávaných s jednotkou a na výrobnom štítku.
  - V opačnom prípade sa môže jednotka alebo rúra prasknúť, alebo môže vzniknúť explózia alebo požiar počas prevádzky, opravy alebo likvidácie jednotky.
  - Môže to znamenať aj porušenie platných zákonov.
  - Spoločnosť MITSUBISHI ELECTRIC CORPORATION nemôže byť zodpovedný za poruchy alebo nehody spôsobené použitím nesprávneho typu chladiacej zmesi.
- Nepoužívajte oceľové rúry ako vodovodné potrubie.
  - Odporúča sa medené potrubie.
- Vodný obeh by mal byť uzavretý okruh.
- O inštaláciu klimatizácie požiadajte predajcu alebo autorizovaného technika.
  - Nesprávna inštalácia používateľom môže viesť k presakovaniu vody, úrazu elektrickým prúdom alebo požiaru.
- Zariadenie inštalujte na mieste, ktoré unesie jeho hmotnosť.
  - Nedostatočné upevnenie môže spôsobiť pád zariadenia a spôsobiť zranenie.
- Nedotýkajte sa zariadenia. Povrch zariadenia môže byť horúci.
- Zariadenie neinštalujte na miestach, kde sa vytvára žieravý plyn.
- Na elektroinštaláciu používajte označené káble. Spojte káble bezpečne tak, aby vlastná váha káblov nepôsobila na ich koncovky.
  - V mieste nedostatočného spojenia sa môže vytvárať teplo a spôsobiť požiar.
- Pripravte sa na dažď a inú vlhkosť a zemetrasenia, a zariadenie inštalujte na špecifikované miesto.
  - Nesprávna inštalácia môže spôsobiť rozkývanie zariadenia a mať za následok zranenie.

- Vždy používajte sito a iné príslušenstvo špecifikované spoločnosťou Mitsubishi Electric.
  - O inštaláciu doplnkov požiadajte autorizovaného technika. Nesprávna inštalácia používateľom môže viesť k presakovaniu vody, úrazu elektrickým prúdom alebo požiaru.
- Nikdy zariadenie neopravujte. Ak si klimatizačné zariadenie vyžaduje opravu, spojte sa s predajcom.
  - Ak je zariadenie nesprávne opravené, môže to viesť k presakovaniu vody, úrazu elektrickým prúdom alebo požiaru.
- Nedotýkajte sa chladiaceho potrubia a vodovodného potrubia.
  - Pri nesprávnom zaobchádzaní so zariadením sa môžete zraniť.
- Ak narábate s týmto výrobkom, vždy používajte ochranné pomôcky. Napr: rukavice, ochranu celej ruky, najmä špeciálny pracovný odev, a ochranné okuliare.
  - Pri nesprávnom zaobchádzaní so zariadením sa môžete zraniť.
- Ak počas inštalácie uniká chladiaci plyn, vetrajte miestnosť.
  - Ak sa chladiaci plyn dostane do kontaktu s plameňom, vznikajú jedovaté plyny.
- Zariadenie nainštalujte podľa tejto príručky na inštaláciu.
  - Ak je zariadenie nainštalované nesprávne, môže to viesť k presakovaniu vody, úrazu elektrickým prúdom alebo požiaru.
- Zverte elektroinštaláciu práce odborne spôsobilému elektroinštalatérovi podľa „Normy pre elektrické zariadenia“ a „Predpisov o bytových elektroinštaláciách“ a pokynov uvedených v tomto návode a vždy používajte špeciálny napájací obvod.
  - Ak je kapacita zdroja napätia nedostatočná alebo sú elektroinštalácie práce vykonané nesprávne, môže to viesť k úrazu elektrickým prúdom alebo požiaru.
- Uchovávajte elektrické časti mimo dosahu vody (voda na umývanie atď.).
  - V opačnom prípade môžete spôsobiť úraz elektrickým prúdom, vznietenie sa alebo dymenie.
- Bezpečne nainštalujte vrchný kryt (panel) zariadenia na zdroj tepla.
  - Ak vrchný kryt (panel) nie je nainštalovaný správne, do zariadenia na zdroj tepla sa môže dostať prach alebo voda, čo môže viesť k vzniku požiaru alebo zásahu elektrickým prúdom.
- Ak inštalujete a premiestňujete klimatizáciu na iné miesto, nenapíňajte ju inou chladiacou zmesou (R410A), než je chladiaca zmes špecifikovaná na zariadení.
  - Ak je pôvodná chladiaca zmes zmiešaná s inou chladiacou zmesou alebo plynom, chladiaci cyklus nemusí fungovať správne a klimatizačná jednotka sa môže poškodiť.
- Ak je klimatizácia nainštalovaná v malej miestnosti, musia byť prijaté opatrenia, aby sa predišlo prekročeniu bezpečnostného limitu koncentrácie chladiacej zmesi, ak by chladiaca zmes unikala.
  - O primeraných opatreniach na zamedzenie prekročenia bezpečnostného limitu sa poraďte s predajcom. Ak by chladiaca zmes unikla a spôsobila prekročenie bezpečnostného limitu, môže to viesť k riziku v dôsledku nedostatku kyslíka v miestnosti.
- Ak premiestňujete alebo znova inštalujete klimatizáciu, poraďte sa s predajcom alebo autorizovaným technikom.
  - Ak je klimatizácia nainštalovaná nesprávne, môže to viesť k presakovaniu vody, úrazu elektrickým prúdom alebo požiaru.
- Po ukončení inštalácie skontrolujte, či neuniká chladiaci plyn.
  - Ak chladiaci plyn uniká v blízkosti teplotovzdušného kúrenia, sporáku, rúry alebo iného zdroja tepla, môže sa vytvárať škodlivý plyn.
- Neprestavujte a nemeňte nastavenia ochranných prvkov.
  - Ak je tlakový spínač, teplotný spínač alebo iné ochranné zariadenie skratované alebo obsluhované neprimeraným spôsobom alebo ak používate iné súčasti, ako sú určené spoločnosťou Mitsubishi Electric, môžete spôsobiť požiar alebo výbuch.
- O likvidácii tohto výrobku sa poraďte s predajcom.
- Inštalatér a odborník na systém by mal zabezpečiť ochranu pred zatekaním podľa miestnych predpisov alebo noriem.
  - Ak miestne predpisy nie sú k dispozícii, môžu sa uplatniť nasledujúce štandardy:
- Osobitný pozor dávajte na miesto, ako napríklad pivnicu, atď., kde sa môže chladiaci plyn zdržiavať, pretože chladiaci plyn je ťažší než vzduch.
- Dozerajte na deti, aby ste sa uistili, že sa nehrajú so zariadením.

## 1.2. Upozornenia pre zariadenia, ktoré používajú chladiacu zmes R410A

### ⚠ Varovanie:

- **Nepoužívajte chladiacu zmes iného typu, než je uvedená v návodoch dodávaných s jednotkou a na výrobnom štítku.**
  - V opačnom prípade sa môže jednotka alebo rúra prasknúť, alebo môže vzniknúť explózia alebo požiar počas prevádzky, opravy alebo likvidácie jednotky.
  - Môže to znamenať aj porušenie platných zákonov.
  - Spoločnosť MITSUBISHI ELECTRIC CORPORATION nemôže byť zodpovedná za poruchy alebo nehody spôsobené použitím nesprávneho typu chladiacej zmesi.

### ⚠ Upozornenie:

- **Nepoužívajte doterajšie chladiace potrubie.**
  - Stará chladiaca zmes a starý chladiaci olej v doterajšom potrubí obsahujú vysoké množstvo chlóru, ktoré môže znehodnotiť chladiaci olej novej jednotky.
  - R410A je vysokotlaková chladiaca zmes a môže spôsobiť prasknutie existujúceho potrubia.
- **Používajte chladiace potrubie vyrobené z medi odkysličenej fosforom C1220 (Cu-DHP) podľa normy JIS H3300 „Bezvarové rúry a trubice vyrobené z medi a z medenej zliatiny“. Okrem toho sa uistite, že vnútorný a vonkajší povrch rúr je čistý a bez nebezpečnej síry, oxidov, prachu/nečistoty, zvyškov z obrusovania, olejov, vlhkosti alebo akéhokoľvek iného znečistenia.**
  - Znečistenie vo vnútri chladiaceho potrubia môže spôsobiť znehodnotenie zvyškového chladiaceho oleja.
- **Potrubie, ktoré sa má použiť pri inštalácii, skladujte vo vnútri a oba konce potrubia nechajte utesnené až do okamihu spájania. (Kolená a iné spájacie časti skladujte v plastovom obale.)**
  - Ak sa prach, nečistoty alebo voda dostanú do chladiaceho cyklu, môže to viesť k znehodnoteniu oleja a problémom s kompresorom.
- **Použite esterový olej, éterový olej alebo alkybenzén (malé množstvo) ako chladiaci olej na natretie prírubevých a lemových spojov.**
  - Ak sa chladiaci olej zmieša s veľkým množstvom minerálneho oleja, znehodnotí sa.
- **Používajte tekutú chladiacu zmes na naplnenie systému.**
  - Ak je na uzavretie systému použitá plyná chladiaca zmes, zloženie chladiacej zmesi vo valci sa zmení a môže sa znížiť výkon.
- **Nepoužívajte inú chladiacu zmes ako R410A.**
  - Ak sa s chladiacou zmesou R410A zmieša iná chladiaca zmes (R22 atď.), chlór v chladiacej zmesi môže spôsobiť znehodnotenie chladiaceho oleja.
- **Použite vákuové čerpadlo s kontrolným ventilom spätného toku.**
  - Olej z vákuového čerpadla by mohol prúdiť späť do chladiaceho cyklu a spôsobiť znehodnotenie chladiaceho oleja.
- **Nepoužívajte nasledujúce nástroje, ktoré sú používané pri bežných chladiacich zmesiach. (Potrubné meradlo, plniaca hadica, detektor unikajúceho plynu, kontrolný ventil spätného toku, podstavec na plnenie chladiacej zmesi, nástroje na vybratie chladiacej zmesi.)**
  - Ak sa v chladiacej zmesi R410A zmieša bežná chladiaca zmes a chladiaci olej, chladiaca zmes môže byť znehodnotená.
  - Ak sa s chladiacou zmesou R410A zmieša voda, chladiaci olej môže byť znehodnotený.
  - Keďže zmesi R410A neobsahujú žiaden chlór, detektor unikajúceho plynu pre bežné chladiace zmesi na ne nebude reagovať.
- **Nepoužívajte plniacu fľašu.**
  - Použitie plniacej fľaše môže spôsobiť znehodnotenie chladiacej zmesi.
- **Buďte obzvlášť opatrní najmä pri manipulácii s týmito nástrojmi.**
  - Ak sa do chladiaceho cyklu dostane prach, nečistoty alebo voda, chladiaca zmes môže byť znehodnotená.

## 1.3. Pred nainštalovaním

### ⚠ Upozornenie:

- **Neinštalujte zariadenie na miestach, kde môže unikáť horľavý plyn.**
  - Ak sa unikajúci plyn nahromadí v okolí zariadenia, môže nastať explózia.
- **Nepoužívajte klimatizáciu na miestach, kde sa nachádzajú potraviny, domáce zvieratá, rastliny, presné meracie prístroje alebo umelecké diela.**
  - Kvalita potravín atď. sa môže znížiť.
- **Nepoužívajte klimatizáciu v špeciálnom prostredí.**
  - Olej, para, sírový dym atď. môžu podstatne znížiť výkon klimatizácie alebo poškodiť jej časti.
- **Ak inštalujete jednotku v nemocnici, komunikačných staniciach alebo podobných miestach, zabezpečte dostatočnú ochranu proti hluku.**
  - Zariadenie na menenie prúdu, vlastný generátor prúdu, vysokofrekvenčné lekárske prístroje alebo rádiokomunikačné zariadenie môže spôsobiť poruchový chod klimatizácie alebo jej nefunkčnosť. Na druhej strane, klimatizácia môže ovplyvňovať takéto zariadenia vytváraním rušenia, ktoré ovplyvňuje lekárske prístroje alebo prenos obrazu.
- **Neinštalujte jednotku na konštrukciu, ktorá môže spôsobiť unikanie.**
  - Ak vlhkosť v miestnosti prekročí 80 % alebo ak je odtoková rúra zapchatá, môže z vnútornej jednotky kvapkať kondenzát. Podľa potreby vykonajte inštaláciu spoločného odtoku spolu s vonkajším zariadením.

## 1.4. Pred nainštalovaním (premiestnením) - elektroinštalácia

### ⚠ Upozornenie:

- **Uzemnite jednotku.**
  - Nepripájajte uzemňovací vodič na plynové alebo vodovodné rúry, bleskozvody alebo telefónne káble. Nesprávne uzemnenie môže spôsobiť úraz elektrickým prúdom.
- **Nainštalujte napájací kábel tak, aby nebol napnutý.**
  - Napnutie kábla môže spôsobiť jeho zlomenie, vytvárať teplo a spôsobiť požiar.
- **Nainštalujte požadovaný ochranný prerušovač napájania.**
  - Ak prerušovač napájania nie je nainštalovaný, môže to viesť k úrazu elektrickým prúdom.
- **Požívajte káble na prívod prúdu s dostatočnou prenosovou kapacitou a klasifikačnou triedou.**
  - Káble s nedostatočnou kapacitou môžu byť preťažené, vytvárať teplo a spôsobiť požiar.
- **Používajte iba okruhový istič a poistku s určenou kapacitou.**
  - Poistka alebo okruhový istič s vyššou kapacitou alebo železný alebo medený vodič môže spôsobiť celkové zlyhanie zariadenia alebo požiar.
- **Klimatizačné zariadenia neumývajte.**
  - Ich umývanie môže spôsobiť úraz elektrickým prúdom.
- **Dajte pozor, aby inštalovaný podstavec nebol poškodený dlhým používaním.**
  - Ak poškodenie nie je odstránené, jednotka môže spadnúť a spôsobiť zranenie osoby alebo škodu na majetku.
- **Nainštalujte odtokové potrubie podľa tohto návodu na inštaláciu, aby ste zabezpečili správne odvodňovanie. Okolo potrubia umiestnite tepelnú izoláciu, aby sa zabránilo kondenzácii.**
  - Nesprávne odtokové potrubie môže spôsobiť presakovanie vody a poškodenie nábytku a iného majetku.
- **Pri prevážaní výrobku postupujte veľmi opatrne.**
  - Ak výrobok váži viac ako 20 kg, nemala by ho prenášať jedna osoba.
  - Niektoré výrobky používajú na balenie PP pásky. Nepoužívajte PP pásky ako spôsob prepravy. Je to nebezpečné.
  - Pri preprave zariadenia ho upevnite do určenej polohy na podstavci zariadenia. Taktiež upevnite vonkajšie zariadenie na štyroch miestach, aby sa nemohlo zošmyknúť nabok.
- **Baliaci materiál bezpečne zlikvidujte.**
  - Baliaci materiál, ako sú klince a iné železné alebo drevené časti, môžu spôsobiť bodnutia alebo iné zranenia.
  - Roztrhnite a zahodte plastové baliace vrecia tak, aby sa s nimi nemohli hrať deti. Ak sa deti hrajú s plastovými vrecami, ktoré neboli roztrhnuté, môžu sa zadusit!

## 1.5. Pred začatím skúšobnej prevádzky

### ⚠ Upozornenie:

- **Koda napake "7130" se objaví, ko sta izpolnjena oba naslednja pogoja.**
  - Naprava PWFY je priključena na zunanjo napravo serije Y.
  - Različica programske opreme ustreže spodnji navedbi.
    - Seriya PWFY: starejša od raz. 1.13
    - Seriya Y(YHM): starejša od raz. 12.27
    - Seriya Y(YJM): starejša od raz. 1.31
    - Seriya Replace Y(YJM): starejša od raz. 11.31
    - Seriya HP(ZUBADAN): starejša od raz. 22.27
    - Seriya WY: starejša od raz. 12.29
- **Zapnite napájanie zariadenia aspoň 12 hodín pred začatím prevádzky.**
  - Začatie prevádzky hneď po zapnutí hlavného spínača môže viesť k vážnemu poškodeniu vnútorných častí zariadenia. Nechajte spínač zapnutý počas celej doby prevádzky.
- **Nedotýkajte sa spínačov s mokrymi prstami.**
  - Dotýkanie sa spínačov s mokrymi prstami môže spôsobiť úraz elektrickým prúdom.
- **Nedotýkajte sa chladiacich rúr počas prevádzky zariadenia a tesne po jej skončení.**
  - Počas prevádzky a tesne po jej skončení sú chladiace rúry horúce alebo studené, v závislosti od stavu chladiacej zmesi pretekajúcej cez chladiace potrubie, kompresor a iné časti chladiaceho cyklu. Pri dotyku chladiacich rúr môžete utrpieť popáleniny alebo omrzliny na rukách.
- **Nepoužívajte klimatizáciu s demontovanými panelmi alebo ochrannými prvami.**
  - Rotujúce, horúce alebo vysokonapäťové časti môžu spôsobiť zranenia.
- **Nevypínajte zariadenie okamžite po skončení prevádzky.**
  - Pred vypnutím napájania zariadenia čakajte vždy najmenej päť minút. V opačnom prípade sa môže vyskytnúť presakovanie vody alebo iný problém.
- **Počas servisu sa nedotýkajte povrchu kompresora.**
  - Ak je zariadenie zapojené do zdroja a nie je spustené, ohrievač kľukovej skrine pri kompresore je v prevádzke.
- **Nedotýkajte sa panelov v blízkosti vývodu odsávacieho ventilátora holými rukami: kým je zariadenie v prevádzke, môžu byť horúce (aj ak je už zastavené) alebo tesne po prevádzke, a hrozí riziko popálenia. Ak je potrebné sa dotýkať panelov, podľa potreby použite rukavice na ochranu rúk.**
- **Kým je zariadenie v prevádzke alebo tesne po prevádzke môže z vývodu odsávacieho ventilátora fúkať horúci odsatý vzduch. Neprikladajte ruky k vývodu ani sa nedotýkajte panelov blízko vývodu.**
- **Nezabudnite vytvoriť cestu pre odsatý vzduch z ventilátora.**
- **Vodovodné potrubie môže byť veľmi horúce v závislosti od nastavenej teploty. Vodovodné potrubie obalte izolačnými materiálmi, aby nedošlo k popáleninám.**

## 2. O výrobku

### ⚠ Varovanie:

- Nepoužívajte chladiacu zmes iného typu, než je uvedená v návodoch dodávaných s jednotkou a na výrobnom štítku.
  - V opačnom prípade sa môže jednotka alebo rúry prasknúť, alebo môže vzniknúť explózia alebo požiar počas prevádzky, opravy alebo likvidácie jednotky.
  - Môže to znamenať aj porušenie platných zákonov.
  - Spoločnosť MITSUBISHI ELECTRIC CORPORATION nemôže byť zodpovedná za poruchy alebo nehody spôsobené použitím nesprávneho typu chladiacej zmesi.
- Táto jednotka využíva chladiacu zmes typu R410A.

- Potrubie pre systémy s chladiacou zmesou R410A sa môžu odlišovať od potrubia s bežnou chladiacou zmesou, pretože v systémoch s chladiacou zmesou R410 je hodnota konštrukčného tlaku vyššia. Viac informácií získate v príručke Technické parametre.
- Niektoré nástroje a príslušenstvo používané pre inštaláciu systémov s iným typom chladiacej zmesi sa pre systémy, ktoré pracujú s chladiacou zmesou R410A, nesmú použiť. Viac informácií získate v príručke Technické parametre.
- Nepoužívajte pôvodné potrubie, pretože obsahuje chlór, ktorý sa nachádza v olejoch a chladiacich zmesiach bežných chladničiek. Tento chlór znehodnotí olej chladiacej zmesi v novom zariadení. Pôvodné potrubia nepoužívajte, pretože konštrukčný tlak v systémoch s chladiacou zmesou R410A je vyšší ako konštrukčný tlak v systémoch s inou chladiacou zmesou a mohlo by dôjsť k roztrhnutiu pôvodných rúr.

## 3. Špecifikácie

### ⚠ Varovanie:

Nepoužívajte chladiacu zmes iného typu, než je uvedená v návodoch dodávaných s jednotkou a na výrobnom štítku.

- V opačnom prípade sa môže jednotka alebo rúry prasknúť, alebo môže vzniknúť explózia alebo požiar počas prevádzky, opravy alebo likvidácie jednotky.
- Môže to znamenať aj porušenie platných zákonov.
- Spoločnosť MITSUBISHI ELECTRIC CORPORATION nemôže byť zodpovedná za poruchy alebo nehody spôsobené použitím nesprávneho typu chladiacej zmesi.

Modely		PWFY-P100VM-E-BU	PWFY-P100VM-E1-AU	PWFY-P200VM-E1-AU
Úroveň hluku		44dB<A>	29dB<A>	29dB<A>
Chladiaca zmes		R134a × 1,1 kg	-	-
Čistá hmotnosť		60 kg	35 kg	38 kg
Projektovaný tlak	R410A MPa	4,15	4,15	4,15
	R134a MPa	3,60	-	-
	Voda MPa	1,00	1,00	1,00
Napojenie Vonkajšie zariadenie	Celková kapacita	50~100 % kapacity vonkajšieho zariadenia		Možno pripojiť len k jednej vonkajšej jednotke
	Model/množstvo	Samo R2, serija Replace R2, serija WR2	Y, serija Replace Y, serija HP(ZUBADAN), serija WY, R2, serija Replace R2, serija WR2	PUMY-P-V/YHMB(-BS)
Teplotný rozsah Ohrievanie	Vonkajšia teplota	-20~32 °CWB (59~90 °F)	-20~32 °CWB (-4~90 °F) séria PURY -20~15,5 °CWB (-4~60 °F) séria PUHY	-15~21 °CDB (5~70 °F), -15~15 °CWB (5~59 °F)
	Teplota prírodnej vody	10~70 °C (50~158 °F)	10~40 °C (50~104 °F)	10~45 °C (50~113 °F)
Teplotný rozsah Chladienie	Vonkajšia teplota	-	-5~43 °CDB (23~110 °F) séria PURY -5~43 °CDB (23~110 °F) séria PUHY	-
	Teplota prírodnej vody	-	10~35 °C (50~95 °F)	-

## 4. Kontrolný zoznam súčastí

- ① Sito      ② Tepelný izolačný materiál      ③ Súpravy konektorov × 2      ④ Dilatačná škára × 2 (PWFY-P200VM-E1-AU)      ⑤ Kabel      ⑥ Prietokový spínač (PWFY-P100/P200VM-E1-AU)

## 5. Metóda zdvíhania

### ⚠ Upozornenie:

Dávajte veľký pozor pri prenášaní produktu.

- Ak výrobok váži viac ako 20 kg, nemala by ho prenášať len jedna osoba.
- Niektoré produkty sú zabalené pomocou polypropylénových pásov. Nepoužívajte ich na prenášanie, pretože sú nebezpečné.
- Plastový obal roztrhajte a zahodte, aby sa s ním nemohli hrať deti. Inak by sa deti mohli plastovým obalom zadusiť.

## 6. Inštalácia zariadenia a priestor na servis

### 6.1. Inštalácia

- Použite diery na ukotvenie zobrazené nižšie a zariadenie pevne pripevnite k podstavcu.

[Fig. 6.1.1] (P.2)

- Ⓐ 4-φ14 (diery na ukotvenie)      Ⓑ (pohľad zvrchu)

#### Podstavce

- Zariadenie nainštalujte na miesto, ktoré je dost' silné na to, aby unieslo jej hmotnosť. Ak je podstavec nestabilný, spevnite ho betónovým podstavcom.
- Zariadenie musí byť ukotvené na rovnom povrchu. Po inštalácii použite na kontrolu vodováhu.
- Ak je zariadenie inštalované v blízkosti miestnosti, kde je problém s hlukom, odporúča sa použitie antivibračného stojanu na podstavci zariadenia.

### ⚠ Varovanie:

- Zariadenie nainštalujte na miesto, ktoré je dost' silné na to, aby unieslo jej hmotnosť. Nedostatočné upevnenie môže spôsobiť pád zariadenia a spôsobiť osobné zranenie.
- Inštaláciu prácu vykonajte poriadne na ochranu pred zemetrasením. Nedostatky pri inštalácii môžu spôsobiť pád zariadenia a spôsobiť osobné zranenie.

## 6.2. Priestor na servis

- Po inštalácii prosím ponechajte nasledujúci priestor na servis. (Celý servis možno vykonávať na prednej strane zariadenia)

[Fig. 6.2.1] (P.2)

Modely	a	b	c
PWFY-P100VM-E-BU	400	300	600
PWFY-P100VM-E1-AU	400	300	600
PWFY-P200VM-E1-AU	400	300	600

- (A) Priestor potrubia (pravá strana)      (B) Pohľad zvrchu  
(C) Priestor na servis (predná strana)

## 7. Inštalácia vodného potrubia

- Pred dlhším obdobím nepoužívania vypustíte vodu z potrubia a nechajte ho riadne vyschnúť.
- Používajte uzavretý vodný okruh.
- Keď je jednotka v režime chladenia, pridajte do obežnej vody slanú vodu, aby ste zabránili zamrznutiu.
- Pri uporabi slanice v systemu mora byť DipSW 1-10 VKLJUČENO.
- Keď je zariadenie nainštalované v prostredí s nízkou okolitou teplotou, ponechajte vodu cirkulovať celý čas. Ak to nie je možné, vodu z potrubia úplne vypustíte alebo vodovodné potrubie naplníte slanou vodou.
- Vodu použítu týmto zariadením nepoužívajte na pitie ani pri výrobe potravín.
- Oceľové rúry nepoužívajte ako vodovodné potrubie.

Modely	Prívod vody	Vývod vody
PWFY-P100VM-E-BU	Skrutka PT 3/4	Skrutka PT 3/4
PWFY-P100VM-E1-AU	Skrutka PT 3/4	Skrutka PT 3/4
PWFY-P200VM-E1-AU *1 Keď sú nainštalované dilatčné škáry.	Skrutka PT 1 *1	Skrutka PT 1 *1

### 7.1. Bezpečnostné opatrenia počas inštalácie

- Pre správny odpor potrubia pri každom zariadení použite metódu spätného návratu.
- Na zabezpečenie ľahkej údržby, kontroly a výmeny zariadenia použite správnu spojku, ventil, atď. v otvore na prívod a vývod vody. Okrem toho na potrubie prívodnej vody nainštalujte sito. (Sito na prívode cirkulujúcej vody je potrebné na údržbu jednotky.)
- Na vodovodné potrubie nainštalujte vhodný vetrací otvor. Keď potrubím prejde voda, nezabudnite vypustiť nadbytočný vzduch.
- V častiach jednotky s nízkou teplotou sa môže skondenzovať voda. Na vypustenie vody použite odtokovú rúru, napojenú na vypúšťací ventil na podstavci zariadenia.
- Na čerpadlo nainštalujte ventil na prevenciu spätného prúdenia a ohybnú spojku, aby nevznikli nadmerné vibrácie.
- Tam, kde potrubia prechádzajú stenou, použite ochrannú izoláciu.
- Na upevnenie potrubia použite kovové armatúry a nainštalujte ich tak, aby boli maximálne chránené pred rozbitím a ohýbaním.
- Nepomýľte si ventily na prívod a vývod vody.
- Toto zariadenie nemá žiadny ohrievač, ktorý by bránil zamrznutiu potrubia. Ak je tok vody zastavený pri nízkej okolitej teplote, vypustíte vodu z potrubí.
- Nepoužité vyrazené otvory by mali byť zatvorené a otvory v chladiacich potrubíach, vodovodných potrubíach, prívode elektriny a prenosových drôtoch by mali byť zatmelené atď. na ochranu pred vodou.
- Sito nainštalujte pod uhlom 45° alebo menej, ako je zobrazené na [Fig. 7.1.2].
- Okolo skrutky omotajte trochu tesniacej pásky, aby nedošlo k pretekaniu vody.
- Tesniacu pásku omotajte nasledujúcim spôsobom.

- V smere závitov (v smere hodinových ručičiek) omotajte spojku pomocou tesniacej pásky. Páska nesmie presahovať okraj.
- Pri každom otočení prekryte dve tretiny až tri štvrtiny tesniacej pásky. Pásku zatlačajte prstami, aby sa dôkladne prichytila ku každému závit.
- 1,5 až 2 závit na konci nechajte neomotané.

- Dodané sito nainštalujte na prívod vody.
- Pri inštalácii potrubia alebo sita si rúru na boku prístroja pridržiť na mieste pomocou skrutkového kľúča. Skrutky utiahnite na krútiaci moment 50 N·m.
- Vodovodné potrubie môže byť veľmi horúce v závislosti od nastavenej teploty. Vodovodné potrubie obalte izolačnými materiálmi, aby nedošlo k popáleninám.
- Na modeli PWFY-P200VM-E1-AU nainštalujte dilatačnú špáru (príslušenstvo) na prívod až po inštalácii sita a vývodu.

#### Príklad inštalácie zariadenia (s použitím vodovodného potrubia)

[Fig. 7.1.1] (P.2)

- (A) Zatvárací ventil      (B) Prívod vody  
(C) Vývod vody      (D) Chladiace potrubie  
(E) Sito typu Y      (F) Odtoková rúra  
(G) Dilatačná špára

### 7.2. Inštalácia izolácie

Povrchová teplota vodovodného potrubia bude veľmi vysoká v závislosti na nastavenej teplote. Potrubie izolujte, aby nedošlo k popáleninám. Pri prevádzke PWFY-P100/P200VM-E1-AU na studenú vodu izolujte vodovodné potrubie, aby nevznikla kondenzácia.

Izolačný materiál oviňte okolo vodovodného potrubia tak, ako je zobrazené na [Fig. 7.2.1].

- Akékoľvek potrubie zdroja teplota.
- Vnútro potrubia v oblastiach s chladným podnebí, kde sú problémy so zamrznutými potrubiami.
- Keď vzduch prichádzajúci zvonka spôsobuje kondenzáciu na potrubí.
- Akékoľvek odtokové rúry.

[Fig. 7.2.1] (P.2)

- (A) Tepelný izolačný materiál (príslušenstvo)  
(B) Vstrieknite tesniaci materiál

### 7.3. Spracovanie vody a kontrola kvality vody

Na uchovanie kvality vody v jednotke používajte uzavretý typ vodovodného okruhu. Keď je kvalita cirkulujúcej vody zlá, na výmenníku tepla môžu vzniknúť šupiny, čo povedie k zníženiu výkonu výmeny tepla a možnému hrdzaveniu výmenníka tepla. Pri inštalácii systému na obeh vody dávajte veľký pozor na spracovanie vody a kontrolu kvality vody.

- Z potrubia odstráňte všetky cudzie predmety a nečistoty.
- Počas inštalácie dávajte pozor, aby sa do potrubia nedostali cudzie predmety, ako úlomky zo zvrárania, častice tmelu alebo hrdza.
- Spracovanie kvality vody

- V závislosti od kvality vody môže medené potrubie vo výmenníku tepla zhrdzavieť. Odporúčame pravidelné spracovanie kvality vody. Systémy na obeh vody, ktoré používajú otvorené nádrže na uskladnenie tepla, sú osobitne náchylné na hrdzavenie. Keď používate nádrže na uskladnenie tepla otvoreného typu, nainštalujte výmenník tepla voda-voda a na strane klimatizácie použite obvod s uzavretým okruhom. Ak je nainštalovaná nádrž na vodu, udržiavajte minimálny kontakt so vzduchom a hladinu rozpusteného kyslíka vo vode udržiavajte na nie viac než 1 mg/l.



② Štandard kvality vody

Položky	Vodný systém pri nižšej až strednej teplote Teplota vody $\leq 60$ °C		Vodný systém pri vyššej až strednej teplote Teplota vody $> 60$ °C		Tendencia		
	Recirkulovaná voda	Náhradná voda	Recirkulovaná voda	Náhradná voda	Hrdzavenie	Vytváranie šupín	
Štandardné položky	pH (25 °C)	7,0 ~ 8,0	7,0 ~ 8,0	7,0 ~ 8,0	○	○	
	Elektrická vodivosť (mS/m) (25 °C) ( $\mu$ S/cm) (25 °C)	30 alebo menej [300 alebo menej]	30 alebo menej [300 alebo menej]	30 alebo menej [300 alebo menej]	30 alebo menej [300 alebo menej]	○	○
	Chloridové ióny (mg Cl/l)	50 alebo menej	50 alebo menej	30 alebo menej	30 alebo menej	○	
	Síranové ióny (mg SO <sub>4</sub> <sup>2-</sup> /l)	50 alebo menej	50 alebo menej	30 alebo menej	30 alebo menej	○	
	Spotreba kyseliny (pH4,8) (mg CaCO <sub>3</sub> /l)	50 alebo menej	50 alebo menej	50 alebo menej	50 alebo menej		○
	Celková tvrdosť (mg CaCO <sub>3</sub> /l)	70 alebo menej	70 alebo menej	70 alebo menej	70 alebo menej		○
	Tvrdosť vápnika (mg CaCO <sub>3</sub> /l)	50 alebo menej	50 alebo menej	50 alebo menej	50 alebo menej		○
Referenčné položky	Kremičité ióny (mg SiO <sub>2</sub> /l)	30 alebo menej	30 alebo menej	30 alebo menej	30 alebo menej		○
	Železo (mg Fe/l)	1,0 alebo menej	0,3 alebo menej	1,0 alebo menej	0,3 alebo menej	○	○
	Meď (mg Cu/l)	1,0 alebo menej	1,0 alebo menej	1,0 alebo menej	1,0 alebo menej	○	
	Sulfidové ióny (mg S <sup>2-</sup> /l)	nemožno detegovať	nemožno detegovať	nemožno detegovať	nemožno detegovať	○	
	Amónne ióny (mg NH <sub>4</sub> <sup>+</sup> /l)	0,3 alebo menej	0,1 alebo menej	0,1 alebo menej	0,1 alebo menej	○	
	Zvyškový chlór (mg Cl/l)	0,25 alebo menej	0,3 alebo menej	0,1 alebo menej	0,3 alebo menej	○	
	Vofný oxid uhličitý (mg CO <sub>2</sub> /l)	0,4 alebo menej	4,0 alebo menej	0,4 alebo menej	4,0 alebo menej	○	
Ryznarov index stability	-	-	-	-	○	○	

Referencia : Smernice pre kvalitu vody do zariadení na chladenie a klimatizáciu (JRA GL02E-1994)

- Pred použitím antikoročných riešení na riadenie kvality vody sa prosím poraďte s odborníkom na kontrolu kvality vody ohľadom metód kontroly kvality vody a výpočtov kvality vody.
- Pri výmene už nainštalovaného klimatizačného zariadenia (aj ak sa vymieňa len výmenník tepla) najprv vykonajte analýzu kvality vody a skontrolujte možné zhrdzavenie.  
Hrdza sa môže vytvoriť v systémoch na studenú vodu aj vtedy, keď predtým neexistovali žiadne známky hrdzavenia.  
Ak úroveň kvality vody klesne, pred výmenou zariadenia prosím dostatočne upravte kvalitu vody.

## 7.4. Napojenie čerpadla

Za izvajanje preizkusnega delovanja, preden se zaključí blokada čerpalke, kratkostično vežite priključni blok TB142A (IN1), in izvedite preizkusno delovanje. Zariadenie sa môže poškodiť, ak je spustené bez cirkulujúcej vody v potrubí.

### <PWFY-P100VM-E-BU>

Prepojte prevádzku zariadenia a čerpadlo na obeh vody. Na napojenie TB142A (IN1) použite svorkovnice, ktoré sa nachádzajú na zariadení.

[Fig. 7.4.1] (P.2)

### <PWFY-P100/200VM-E1-AU>

#### <Napojenie čerpadla>

V systéme z napravo PWFY-P100/P200VM-E1-AU lahko obtočna voda zamrzne in povzroči okvaro. Da bi preprečili zamrzovanje, morate dela na električni napeljavi izvajati v skladu z opisom na [Fig. 7.4.2].

#### <Prietokový spínač>

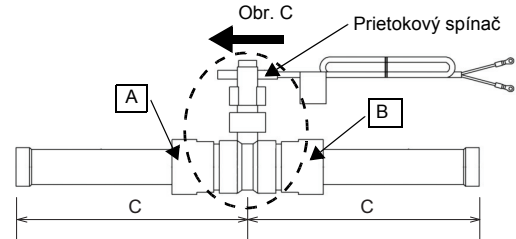
Pri inštalácii jednotky nezabudnite na stranu vývodu vody na jednotke nainštalovať dodaný prietokový spínač a ku konektoru IN1 zariadenia TB142A na jednotke pripojiť kábel.

**Ak prietokový spínač nenainštalujete, jednotka bude vysielat' chybový signál (2100: chyba chráneného pripojenia) a nebude fungovať.**

\* Dodáva sa skratovací vodič, ktorý je však určený len na skúšobnú prevádzku.

<Inštalácia postupu>

- Odpojte rúry pripojené k prietokovému spínaču.  
**Poznámka:** Jednotka sa dodáva s voľne utiahnutými rúrami.
- Okolo závitov na konci rúr omotajte tesniacu pásku, pričom začnite od 1,5 alebo 2. závitov a nezakryte otvory. Vykonajte dve až tri omotania v smere závitov na rúre (v smere hodinových ručičiek). Každý riadok pásky by mal prekryvať ten predchádzajúci o dve tretiny až tri štvrtiny šírky pásky. Prejdite prstami po závitoch a páske, aby sa páska zatlačila do závitov.  
Potom pripojte rúry k prietokovému spínaču, pričom časti A a B uchopíte kľúčom na matice. Maximálny doťahovací moment je 60 N·m (611 kgf·cm).
- Prietokový spínač a rúry pripojte k vývodu vody vo vodorovnej polohe.  
Uhol osi rúry by mal byť menší ako 45 stupňov.  
Smer prietokového spínača skontrolujte podľa obr. C.
- Kábel prietokového spínača pripojte ku konektoru IN1 zariadenia TB142A.



	C
PWFY-P100VM-E1-AU	175 mm
PWFY-P200VM-E1-AU	205 mm

Nastavite DipSW, kot prikazuje tabela spodaj.

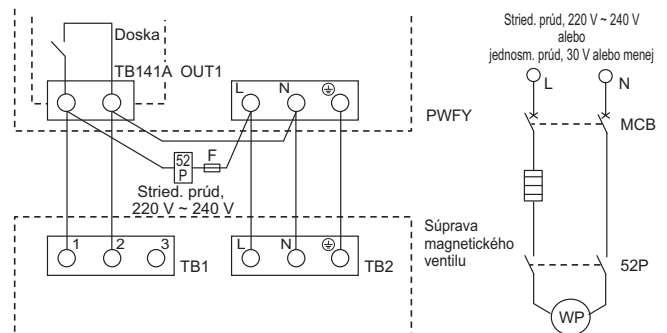
DipSW3-6	Zunanji izhodni signa
VKLJUČENO	Učinkovito, ko je termična zaščita VKLJUČENO
IZKLJUČENO	Učinkovito pri VKLJUČENO Delovanja (Daljinski upravljalnik VKLJUČENO)

Obvezno vklopite napajanje čerpalke, ker upravljanje ne deluje, če je črpalka izklopljena.

### <PAC-SV01PW-E>

Káble pripojte podľa obrázka [Fig. 7.4.3] v prípade, že prepájate ovládanie čerpadla a iných jednotiek A pripájate súpravu magnetického ventilu (PAC-SV01PW-E) k systému, ktorý obsahuje vonkajšie jednotky série Y a série HP(ZUBADAN), vnútorné jednotky a zariadenie PWFY-P100/P200VM-E1-AU.  
Nastavte prepínač SW3-6 do polohy ON (ZAP.). Skontrolujte, či sa používa verzia softvéru 1.18 alebo novšia.

[Fig. 7.4.3]



F: poisťka

52P: Magnetický kontakt pre vodné čerpadlo zdroja tepla

MCB: prerušovač obvodu

WP: vodné čerpadlo

## 8. Špecifikácie chladiacej rúry a odtokovej rúry

Aby sa predišlo odkvapkávaniu skondenзованej kvapaliny, vykonajte dostatočnú izoláciu proti pretekaniu a vlhnutiu na chladiacej a odtokovej rúre.

Ak použijete bežne dostupné chladiace rúry, zaizolujte kvapalinové aj plynové rúry bežne dostupným izolačným materiálom (s tepelnou odolnosťou viac ako

100 °C a hrúbkou uvedenou nižšie).

Bežne dostupným izolačným materiálom (polyetylén so špecifickou hmotnosťou 0,03 a hrúbkou uvedenou nižšie) zaizolujte tiež všetky rúry, ktoré vedú miestnosťou.

① Vyberte hrúbku izolačného materiálu podľa veľkosti rúry.

Modely	PWFY-P100VM-E-BU	PWFY-P100VM-E1-AU	PWFY-P200VM-E1-AU
Plyn	ø15,88	ø15,88	ø19,05
Kvapalina	ø9,52	ø9,52	ø9,52
Odtok		ø32	
Hrúbka izolačného materiálu	Viac než 10 mm		

② Ak je jednotka použitá na najvyššom poschodí budovy v podmienkach vysokej teploty a vlhkosti, je potrebné použiť väčšiu veľkosť rúr a hrúbku izolačného materiálu, než je uvedené v predchádzajúcej tabuľke.

③ Ak máte pokyny od zákazníka, postupujte podľa nich.

### 8.1. Chladiaca rúra, odtoková rúra a plniaci otvor

[Fig. 8.1.1] (P.3)

- Ⓐ Chladiace potrubie (plyn)
- Ⓒ Prívod vody
- Ⓔ Vývod odtoku

- Ⓑ Chladiace potrubie (kvapalina)
- Ⓓ Vývod vody
- \*1: PWFY-P100/200VM-E1-AU

## 9. Spájanie chladiacich rúr a odtokových rúr

### 9.1. Inštalácia chladiaceho potrubia

Inštalácia potrubia musí byť vykonaná v súlade s návodom na inštaláciu pre vonkajšiu jednotku aj pre riadiaci obvod BC (séria R2 so súčasným chladením aj vykurovaním).

- Riadiaci obvod (séria R2) je navrhnutý tak, aby pracoval v systéme, v ktorom je chladiaca rúra z vonkajšej jednotky vedená do riadiaceho obvodu BC, a vetví sa v riadiacom obvode BC k vnútorným jednotkám.
- Čo sa týka obmedzenia dĺžky rúry a prípustného rozdielu sklonu, pozrite si návod pre vonkajšiu jednotku.
- Metóda spájania rúr je spájkované spojenie.

#### ⚠ Upozornenie:

• Nainštalujte chladiace potrubie pre vonkajšiu jednotku podľa nasledujúcich pokynov.

1. Odrežte koniec potrubia vnútornej jednotky, odstráňte plyn a potom odstráňte spájkovaný uzáver.

[Fig. 9.1.1] (P.3)

- Ⓐ Odrežte tu
- Ⓑ Odstráňte spájkovaný uzáver

2. Stiahnite tepelnú izoláciu na mieste chladiaceho potrubia, prispájajte potrubie jednotky a vráťte izoláciu na pôvodné miesto. Oviňte potrubie izolačnou páskou.

#### Poznámka:

• Zvláštnu pozornosť venujte izolácii medeneho potrubia, pretože za určitých podmienok môže ovinutie potrubia spôsobiť kondenzáciu namiesto toho, aby jej zabránilo.

\* Pred spájkovaním chladiaceho potrubia vždy zabaľte potrubie na hlavnom telese a tepelnej izolácii potrubia do mokrých handier, aby nedošlo k zmršteniu teplom a spáleniu potrubia tepelnej izolácie. Dajte pozor, aby sa plamene nedostali do kontaktu so samotným hlavným telesom.

[Fig. 9.1.2] (P.3)

- Ⓐ Tepelná izolácia
- Ⓑ Vytiahnite izoláciu
- Ⓒ Omotajte s navlhčenou látkou
- Ⓓ Návrat do pôvodnej pozície
- Ⓔ Zabezpečte, aby tu nebola žiadna medzera
- Ⓕ Omotajte izolačnou páskou

#### Upozornenia týkajúce sa chladiaceho potrubia

- ▶ Použite neoxidujúce spájkovanie, aby ste zabezpečili, že sa do rúry nedostane žiadna cudzorodá látka alebo vlhkosť.
- ▶ Na povrch rozširovacieho spojenia naneste chladiaci strojový olej a utiahnite ho použitím dvojitého skrutkového kľúča.
- ▶ Použite kovovú svorku na upevnenie chladiacej rúry tak, aby sa zaťaženie neprenášalo na koniec rúry vnútornej jednotky. Táto kovová svorka by sa mala použiť vo vzdialenosti 50 cm od rozširovacieho spojenia vnútornej jednotky.

#### ⚠ Varovanie:

• Nepoužívajte chladiacu zmes iného typu, než je uvedená v návodoch dodávaných s jednotkou a na výrobnom štítku.

- V opačnom prípade sa môže jednotka alebo rúra prasknúť, alebo môže vzniknúť explózia alebo požiar počas prevádzky, opravy alebo likvidácie jednotky.
- Môže to znamenať aj porušenie platných zákonov.
- Spoločnosť MITSUBISHI ELECTRIC CORPORATION nemôže byť zodpovedná za poruchy alebo nehody spôsobené použitím nesprávneho typu chladiacej zmesi.

• Ak inštalujete alebo premiestňujete jednotku, nepľňte ju inou chladiacou zmesou, ako je chladiaca zmes (R407C alebo R22) špecifikovaná na jednotke.

- Miešanie rôznych chladiacich zmesí, vzduchu atď. môže spôsobiť poruchu chladiaceho obehu a viesť k vážnym škodám.

#### ⚠ Upozornenie:

• Používajte chladiace potrubie vyrobené z medi odkysličenej fosforom C1220 (Cu-DHP), ktorá je špecifikovaná v norme JIS H3300 „Bezzvarové rúry a trubice vyrobené z medi a z medenej zliatiny“. Okrem toho sa uistite, že vnútorný a vonkajší povrch rúr je čistý a bez nebezpečnej síry, oxidov, prachu/špiny, pozostatkov z obrusovania, olejov, vlhkosti alebo akéhokoľvek znečistenia.

• Nikdy nepoužívajte chladiace potrubie predchádzajúceho zariadenia.

- Veľké množstvo chlóru v bežnej chladiacej zmesi a chladiacom oleji v potrubí predchádzajúceho zariadenia spôsobí znehodnotenie novej chladiacej zmesi.

• Potrubie, ktoré sa použije pri inštalácii, skladujte vo vnútri a oba konce potrubia nechajte utesené až do momentu tesne pred spájkovaním.

- Ak sa do chladiaceho cyklu dostane prach, špina alebo voda, olej bude znehodnotený a môže nastať porucha kompresora.

### 9.2. Inštalácia odtokového potrubia

1. Zabezpečte, aby bolo odtokové potrubie vedené nadol (spád viac než 1/100) smerom von (výtok). Nevytvárajte na ceste žiadne prekážky alebo nerovnosti. (1)

2. Zabezpečte, aby akékoľvek krížne odtokové potrubie bolo kratšie ako 20 m (bez rozdielu výšky). Ak je odtokové potrubie dlhé, použite kovové svorky na zabránenie jeho vlneniu. Nikdy nepoužívajte odvodušňovacia rúra. V opačnom prípade môže byť odtok vyrazený.

3. Na odtokové potrubie použite pevnú vinyl-chloridovú rúru VP-25 (s vonkajším priemerom 32 mm).

4. Skontrolujte, či je zberné potrubie o 10 cm nižšie ako odtokový otvor hlavného telesa zariadenia na obrázku (2).

5. Pri otvore na vypustenie odtoku nepoužívajte žiadny pohlcovač pachov.

6. Koniec odtokového potrubia umiestnite tam, kde sa nevytvára žiadny pach.

7. Koniec odtokového potrubia nezavádzajte do žiadnej odtokovej rúry, v ktorej sa tvoria iónové plyny.

[Fig. 9.2.1] (P.3)

- Ⓐ Klesajúci sklon 1/100 alebo viac
- Ⓑ Odtoková hadica
- Ⓒ Zariadenie
- Ⓓ Zberné potrubie
- Ⓔ Túto dĺžku maximalizuje na približne 10 cm

### 9.3. Pripojenie elektrických spojov

Skontrolujte, či sa názov modelu v návode na obsluhu na kryte riadiacej skrinky zhoduje s názvom modelu na typovom štítku.

Krok 1

Uvoľnite skrutky, ktorými je pripevnený kryt skrinky svorkovnice.

[Fig. 9.3.1] (P.3)

- Ⓐ Skrutky
- Ⓑ Predný panel
- Ⓒ Riadiaca skrinka

#### Poznámka:

Dajte pozor, aby sa pri montáži krytu svorkovnice neprivreli vodiče. Mohli by sa prerušiť.

### ⚠ Upozornenie:

Nainštalujte vedenie tak, aby nebolo tesné a napnuté. Napnuté vedenie sa môže porušiť, prehriať alebo prepáliť.

- Vonkajšie vstupné/výstupné vedenie zdroja elektriny upevnite k riadiacej skrinke pomocou priechodky kompenzujúcej ťahovú silu, aby nedošlo k úrazu elektrickým prúdom. (PG spojenie alebo podobné.) Pripojte prenosové vedenie ku prenosovej koncovke cez otvor v kontrolnej skrinke pomocou obyčajnej prechodky.
- Po ukončení inštalácie vedenia znovu skontrolujte, či na spojeniach nie je voľný koniec a upevnite kryt na kontrolnú skrinku v opačnom poradí, ako ste ho demonstovali.

[Fig. 9.3.2] (P.3)

- Ⓐ Aby sa zabránilo pôsobeniu vonkajšej ťahovej sily na spojenia svorkovnice bloku zdroja napätia, použite kompenzačnú priechodku, napr. spojenie PG alebo podobné.
- Ⓑ Externý kábel na vstup signálu
- Ⓒ Externý kábel na výstup signálu
- Ⓓ Vedenie zdroja napätia
- Ⓔ Ťažná sila
- Ⓕ Použite štandardnú priechodku
- Ⓖ Prenosový kábel a kábel na diaľkové ovládanie MA

### ⚠ Upozornění:

Při zapojení napájení nesmí docházet k tahu na kabelech. V opačném případě může nastat odpojení, přehřátí nebo požár.

## 10. Elektrické zapojenie

### Opatrenia týkajúce sa elektrického zapojenia

#### ⚠ Varovanie:

Elektroinštaláciu musí vykonať odborne spôsobilý elektroinštalatér podľa „Štandardov pre inštaláciu elektrických zariadení“ a podľa dodaných návodov na inštaláciu. Tiež by mali byť použité samostatné napájacie obvody. Ak je kapacita elektrického zdroja nedostatočná alebo je zle zapojený, môže to spôsobiť nebezpečenstvo úrazu elektrickým prúdom alebo požiaru.

1. Zabezpečte odber elektrickej energie zo špeciálnej prúdovej odbočky.
2. Nainštalujete ku zdroju poistku proti porušeniu uzemnenia.
3. Zariadenie nainštalujte tak, aby ste zabránili akémukoľvek priamemu kontaktu káblov riadiaceho obvodu (diaľkové ovládanie, prenosové káble alebo externé vstupné/výstupné káble) s elektrickým káblom mimo zariadenia.
4. Zabezpečte, aby na žiadnom vodiči nebol voľný koniec.
5. Niektoré káble (elektrický, diaľkové ovládanie, prenosové káble alebo externé vstupné/výstupné káble) nad stropom môžu poškodené hľadavcami. Káble preto kvôli ochrane vedte kovovými trubicami.

#### 1. Prenosové káble

PWFY-P100VM-E-BU

	Prenosové káble	Káble diaľkového ovládania MA	Externý vstup	Externý výstup
Typ kábla	Tienený drôt (2-žilový) CVVS, CPEVS alebo MVVS	Opláštený 2-žilový kábel (tienený) CVVS	Opláštený mnohožilový kábel (tienený) CVVS alebo MVVS	Opláštený mnohožilový kábel (tienený) CVVS alebo MVVS
Priemer kábla	Viac než 1,25 mm <sup>2</sup>	0,3 ~ 1,25 mm <sup>2</sup> (0,75 ~ 1,25 mm <sup>2</sup> )*1	0,3 ~ 0,5 mm <sup>2</sup>	0,3 ~ 1,25 mm <sup>2</sup>
Poznámky	-	Maximálna dĺžka: 200 m	Maximálna dĺžka: 100 m	Nominálne napätie: L1-N: 220 - 240 V Nominálne zaťaženie: 0,6 A

PWFY-P100/200VM-E1-AU

	Prenosové káble	Káble diaľkového ovládania MA	Externý vstup	Externý výstup
Typ kábla	Tienený drôt (2-žilový) CVVS, CPEVS alebo MVVS	Opláštený 2-žilový kábel (tienený) CVVS	Opláštený mnohožilový kábel (tienený) CVVS alebo MVVS	Opláštený mnohožilový kábel (tienený) CVVS alebo MVVS
Priemer kábla	Viac než 1,25 mm <sup>2</sup>	0,3 ~ 1,25 mm <sup>2</sup> (0,75 ~ 1,25 mm <sup>2</sup> )*1	0,3 ~ 0,5 mm <sup>2</sup>	0,3 ~ 1,25 mm <sup>2</sup>
Poznámky	-	Maximálna dĺžka: 200 m	Maximálna dĺžka: 100 m	Nominálne napätie: L1-N: 220 - 240 V Nominálne zaťaženie: 0,6 A

\*1 Napojený jednoduchým diaľkovým ovládaním.

CVVS, MVVS : PVC izolovaný PVC plášťovaný tienový ovládací kábel

CVV, MVV : PVC izolovaný PVC opláštený ovládací kábel

CPEVS : PE izolovaný PVC plášťovaný tienový komunikačný kábel

### 10.1. Zapojenie sieťového prívodu

- Sieťové prívody pre jednotlivé zariadenia nesmú byť tenšie ako typ 245 IEC 57 alebo 227 IEC 57.
- Klimatizácia musí byť nainštalovaná s vypínačom s medzerou najmenej 3 mm medzi kontaktnými jednotlivých pólov.

## ELEKTROINŠTALÁCIA

### 1. Elektrické charakteristiky

Modely	Prívod elektriny				Kompresor		RLA (A)
	Hz	Napätie	Rozsah napätia	MCA (A)	Výstup (kW)	SC (A)	Ohrievanie
PWFY-P100VM-E-BU	50/60	220-230-240 V	Max. 264 V Min. 198 V	15,71	1,0	1,25	11,63-11,12-10,66

Modely	Prívod elektriny				RLA (A)	
	Hz	Napätie	Rozsah napätia	MCA (A)	Chladenie	Ohrievanie
PWFY-P100VM-E1-AU PWFY-P200VM-E1-AU	50/60	220-230-240 V	Max. 264 V Min. 198 V	0,085	0,068-0,065-0,063	

## 2. Špecifikácie elektrického kábla

Modely	Minimálna hrúbka drôtu (mm <sup>2</sup> )			Istič na únik prúdu	Miestny spínač (A)		Istič na elektroinštalácie (NFB) (A)
	Hlavný kábel	vetva	Uzemnenie		kapacita	poistky	
PWFY-P100VM-E-BU	2,5	-	2,5	30 A 30 mA 0,1 s alebo menej	25	25	30

Modely		Minimálna hrúbka drôtu (mm <sup>2</sup> )			Istič na únik prúdu	Miestny spínač (A)		Istič na elektroinštalácie (NFB) (A)	
		Hlavný kábel	vetva	Uzemnenie		kapacita	poistky		
PWFY-P100VM-E1-AU PWFY-P200VM-E1-AU	Celkový prevádzkový prúd	16 A alebo menej	1,5	1,5	1,5	20 A 30 mA 0,1 s alebo menej	16	16	20
		25 A alebo menej	2,5	2,5	2,5	30 A 30 mA 0,1 s alebo menej	25	25	30
		32 A alebo menej	4,0	4,0	4,0	40 A 30 mA 0,1 s alebo menej	32	32	40

[Fig. 10.1.1] (P.4)

- Ⓐ Istič na únik prúdu
- Ⓑ Miestny spínač alebo ističe na elektroinštalácie
- Ⓒ PWFY-P100VM-E-BU
- Ⓓ PWFY-P100/200VM-E1-AU
- Ⓔ Inštalácia skrinka

### ⚠ Upozornenie:

Používajte len ističe a poistky so správnou kapacitou. Použitie poistky, vodiča alebo medeného drôtu s príliš veľkou kapacitou môže spôsobiť nebezpečenstvo poruchy alebo požiaru.

## 10.2. Pripojenie diaľkového ovládača, vnútorných a vonkajších prenosových káblov

(Alternatívne je k dispozícii diaľkový ovládač.)

- Prepojte jednotku TB5 a vonkajšiu jednotku TB3. (Nepolarizovaný dvojité vodič (tínený))
- „S“ na jednotke TB5 znamená spojenie tíneným drôtom. Technické podmienky prepojovacích káblov nájdete v návode na inštaláciu vonkajšej jednotky.
- Nainštalujte diaľkový ovládač podľa návodu dodaného spolu s diaľkovým ovládačom.
- Body „1“ a „2“ na jednotke TB15 pripojte k MA diaľkový ovládač. (Nepolarizovaný dvojité vodič)

[Fig. 10.2.1] (P.4) MA diaľkový ovládač

- DC 10 – 13 V medzi 1 a 2 (MA diaľkový ovládač)

[Fig. 10.2.2] (P.4) MA diaľkový ovládač

- MA diaľkové ovládanie nemožno použiť súčasne ani nie je zameniteľné.
  - Ⓐ Nepolarizovaný
  - Ⓑ TB15 (Káble diaľkového ovládania MA)
  - Ⓒ MA diaľkový ovládač
  - Ⓓ TB5 (Prenosové káble)
  - Ⓔ TB2 (Drôty elektrickej siete)

### Poznámka:

Zaistíte, aby pri inštalácii krytu svorkovnice nedošlo k stlačeniu vodičov. Stlačenie môže prerušiť vodiče.

### ⚠ Upozornenie:

- Drôty používajte s doplnkovou izoláciou.
- Vstup do TB142A, TB142B a TB142C by nemal byť pod napätím.
- Káble zo zariadenia napojené na externý vstup/výstup by mali mať doplnkovú izoláciu.
- Na externý vstup/výstup použite jeden viacžilový kábel, aby sa umožnilo napojenie na skrutku PG.

### ⚠ Upozornenie:

Napájanie pripojte tak, aby nedochádzalo k pnutiu. V opačnom prípade môže dôjsť k odpojeniu, ohrevu alebo požiaru.

Nazivna napetost kontakta	Nazivni tok kontakta	
	AC250V	1A ali manj
AC125V	3A ali manj	
DC30V	3A ali manj	

Tabuľka 10.3.2

OUT1	Spustenie ZAPNUTÉ/VYPNUTÉ
OUT2	Odmrazovanie
OUT3	Kompresor
OUT4	Chybový signál

### Svorka externého vstupu

Dĺžka kábla musí byť do 100 m.  
Svorka externého vstupu (viď Fig. 10.3.3) nefunguje, keď je obvod otvorený. Pre informácie o každom kontakte si pozrite tabuľky 10.3.3 až 10.3.5. Keď je obvod skratovaný, nefunguje len funkcia „napojenia čerpadla“. Na svorku externého výstupu napojte relový obvod ako je zobrazené na Fig. 7.4.1. Špecifikácie relového obvodu, ktorý má byť napojený, musia spĺňať nasledujúce podmienky.  
Kontaktné nominálne napätie  $\geq$  DC15V  
Kontaktný nominálny prúd  $\geq$  0,1A  
Minimálna aplikovateľná záťaž  $\leq$  1mA, DC

Tabuľka 10.3.3

<PWFY-P100VM-E-BU>

TB142A

IN1	Napojenie čerpadla
-----	--------------------

<PWFY-P100/200VM-E1-AU>

TB142A

IN1	Prietokový spínač
-----	-------------------

Tabuľka 10.3.4

TB142B

IN3	Požadované napojenie
IN4	Spustenie ZAPNUTÉ/VYPNUTÉ

Tabuľka 10.3.5

TB142C

COM+	Spoločné
IN5*1	Teplá voda/ohrevanie
IN6*2	Vyhrievanie ECO
IN7*3	Nemrznuca zmes

- \*1 PWFY-P100VM-E-BU Teplá voda
- PWFY-P100/200VM-E1-AU Ohrevanie
- \*2 Účinné, keď je SW 4-3 nastavené na ZAPNUTÉ.
- \*3 Účinné, keď je SW 4-4 nastavené na ZAPNUTÉ.
- \*4 Pri nastavitvi ECO-ogrevanja ali načina Proti odmrzavanju ponastavite napajanje vseh naprav (zunanje/notranje naprave).

## 10.4. Nastavenie adries

(Uistite sa, že je zariadenie vypnuté – OFF.)

[Fig. 10.4.1] (P.4)

<Panel adries>

- K dispozícii sú dva typy nastavenia otočného prepínača: nastavenia adries 1 – 9 a viac ako 10, a nastavenia čísla pobočky.
  - ① Ako nastaviť adresy  
Príklad: Ak je adresa „3“, zostáva prepínač SWU2 (pre hodnoty nad 10) v polohe „0“ a prepínač SWU1 (pre 1 – 9) sa nastaví na „3“.
  - ② Ako nastaviť číslo pobočky SWU3 (iba séria R2)  
Číslo potrubia na chladiacu zmes vo vnútornom prístroji porovnajte s riadiacim obvodom BC. Hodnotu nechajte nastavenú na „0“ okrem R2.
- Výrobné nastavenie otočných prepínačov je „0“. Tieto prepínače môžu byť použité na nastavenie adries a čísel pobočky podľa potreby.
- Určenie adries vnútornej jednotky sa líši na základe systému v mieste inštalácie. Nastavte ich podľa technických údajov.

## 10.3. Funkcia externého vstupu/výstupu

Nastavený teplotný vstup (externý analógový vstup: 4 mA-20 mA)

Externý vstup je vstup cez na CN421, CN422 ovládacím paneli. (Fig. 10.3.1)

Použite dodaný konektor.

Ak sa neurobia žiadne nastavenia teploty prostredníctvom MA diaľkový ovládač, teplota sa bude meniť s prúdom.

Pozrite si príručku s návodom, ktorý bol dodaný s MA diaľkový ovládač, ako urobiť nastavenia.

4 mA → 10 °C      20 mA → 70 °C

### Poznámka:

Používajte zariadenie na výstup signálu 4-20 mA vybavené izoláciou.

### Svorka externého výstupu

Svorka externého výstupu (viď Fig. 10.3.2) nefunguje, keď je obvod otvorený.

Pre informácie o každom kontakte si pozrite tabuľku 10.3.2.

Tok in napetost v tokokrogu, ki bo povezan na zunanji izhodni priključek (TB141A OUT1), mora izpolnjevat naslednje pogoje.

## 11. Informácie na výkonnostnom štítku

### Varovanie:

Nepoužívajte chladiacu zmes iného typu, než je uvedená v návodoch dodávaných s jednotkou a na výrobnom štítku.

- V opačnom prípade sa môže jednotka alebo rúry prasknúť, alebo môže vzniknúť explózia alebo požiar počas prevádzky, opravy alebo likvidácie jednotky.
- Môže to znamenať aj porušenie platných zákonov.
- Spoločnosť MITSUBISHI ELECTRIC CORPORATION nemôže byť zodpovedný za poruchy alebo nehody spôsobené použitím nesprávneho typu chladiacej zmesi.

Modely		PWFY-P100VM-E-BU	PWFY-P100VM-E1-AU	PWFY-P200VM-E1-AU
Chladiaca zmes (kg)	R134a	1,1	–	–
	R410A	4,15	4,15	4,15
Povolený tlak (MPa)	R134a	3,60	–	–
	voda	1,0	1,0	1,0
Čistá hmotnosť (kg)		60	35	38

1. Varnostni ukrepi.....	110	7.3. Obdelava vode in nadzor kakovosti vode.....	113
1.1. Pred namestitvijo in delom z elektriko.....	110	7.4. Zapora črpalke.....	114
1.2. Varnostni ukrepi za naprave, ki uporabljajo hladilo R410A.....	110	8. Tehnični podatki za odvodno cev in cev za hladivo.....	114
1.3. Pred namestitvijo.....	111	8.1. Cev za hladivo, odvodna cev in polnilni priključek.....	114
1.4. Pred namestitvijo (prestavljanjem) – dela z elektriko.....	111	9. Priključevanje odvodnih cevi in cevi za hladivo.....	115
1.5. Pred zagonom preskusnega delovanja.....	111	9.1. Cevovod za hladivo.....	115
2. O izdelku.....	111	9.2. Odvodni cevovod.....	115
3. Specifikacije.....	112	9.3. Povezovanje električnih priključkov.....	115
4. Priloženi deli.....	112	10. Električna napeljava.....	115
5. Način dvigovanja.....	112	10.1. Napeljava električnega napajanja.....	116
6. Namestitev enote in servisni prostor.....	112	10.2. Povezovanje daljinskega upravljalnika, notranjih in zunanjih krmilnih kablov.....	116
6.1. Namestitev.....	112	10.3. Delovanje zunanjega dovoda/odvoda.....	117
6.2. Servisni prostor.....	112	10.4. Nastavljanje naslovov.....	117
7. Namestitev vodovodnih cevi.....	112	11. Informacije na tipski ploščici.....	117
7.1. Opozorila med namestitvijo.....	113		
7.2. Namestitev izolacije.....	113		

## 1. Varnostni ukrepi

### 1.1. Pred namestitvijo in delom z elektriko

- ▶ Pred namestitvijo preberite celo poglavje "Varnostni ukrepi".
- ▶ V poglavju "Varnostni ukrepi" so navedeni pomembni podatki v zvezi z varnostjo. Obvezno jih upoštevajte.

#### Simboli, ki so uporabljeni v besedilu

##### ⚠ Opozorilo:

Opisuje ukrepe, ki jih morate upoštevati in s tem preprečiti nevarnost poškodb ali smrti uporabnika.

##### ⚠ Previdno:

Opisuje ukrepe, ki jih morate upoštevati in s tem preprečiti poškodbo enote.

#### Simboli, ki so uporabljeni v slikah

⊘ : Označuje postopke, ki niso dovoljeni, in se ne izvajajo.

⚠ : Označuje pomembna navodila, ki jih morate upoštevati.

⚡ : Označuje del, ki ga morate ozemljiti.

⚠ : Nevarnost električnega udara. (Ta simbol je prikazan na nalepki glavne enote.) <Barva: rumena>

⚠ : Pozor, vroče površine

##### ⚠ Opozorilo:

**Pazljivo preberite nalepke, ki so nalepljene na glavno enoto.**

##### ⚠ Opozorilo:

- Če je napajalni kabel poškodovan, ga mora zamenjati proizvajalec, serviser ali druga usposobljena oseba, da s tem preprečite nevarnost.
- Ta naprava ni namenjena za uporabo s strani posameznikov (vključno z otroci) z zmanjšanimi fizičnimi, čutilnimi ali duševnimi sposobnostmi ali s pomanjkljivimi izkušnjami in znanjem, razen če so pod nadzorom ali so prejeli navodila v zvezi z uporabo naprave s strani osebe, odgovorne za njihovo varnost.
- Ne uporabljajte drugega hladilnega sredstva razen tistega, ki je navedeno v priloženih priročnikih in na ploščici s tehničnimi karakteristikami.
  - Če tega ne upoštevate, lahko pride do pokanja naprave ali cevi, lahko pa tudi do eksplozije ali požara med uporabo, popravitom ali odstranjevanjem naprave.
  - Takšno ravnanje je lahko tudi v nasprotju z veljavno zakonodajo.
  - Družba MITSUBISHI ELECTRIC CORPORATION ne odgovarja za napake v delovanju ali nezgode, ki so posledica uporabe napačne vrste hladilnega sredstva.
- Za vodovodne cevi ne uporabljajte jeklenih cevi.
  - Priporočamo bakrene cevi.
- Krogotok vode mora biti zaprt.
- Za namestitev klimatske naprave prosite prodajalca ali pooblaščenega tehnika.
  - Nepravilna namestitev, ki jo izvede kupec, lahko povzroči iztekanje vode, električni udar ali požar.
- Enoto namestite na mesto, ki ima ustrezno nosilnost.
  - Zaradi neustrezne nosilnosti lahko enota pade, kar predstavlja nevarnost telesnih poškodb.
- Ne dotikajte se enote. Površina enote je lahko vroča.
- Enote ne namestite blizu mesta, kjer nastajajo korozivni plini.
- Za ožičenje uporabite določene kabla. Vse povezave izvedite pravilno, tako da sponke niso obremenjene z zunanjo silo kabla.
  - Neustrezna povezava in pritrditev lahko ustvarita vročino in povzročita požar.
- Enoto zaradi dežja, vlage in potresov namestite na določeno mesto.
  - Nepravilna namestitev lahko povzroči prevrnitev enote in s tem poškodbe.
- Vedno uporabite cedilo in druge dodatke, ki jih specifikira podjetje Mitsubishi Electric.
  - Za namestitev pribora prosite pooblaščenega tehnika. Nepravilna namestitev, ki jo izvede kupec, lahko povzroči iztekanje vode, električni udar ali požar.

- Enote nikoli ne popravljajte. Če klimatska naprava potrebuje popravilo, se posvetujte s prodajalcem.
  - Če je enota popravljena nepravilno, lahko povzroči iztekanje vode, električni udar ali požar.
- Ne dotikajte se hladilnih in vodovodnih cevi.
  - Neprimerno delo z napravo pomeni nevarnost telesnih poškodb.
- Pri delu s to napravo obvezno uporabljajte zaščitno opremo. Npr.: rokavice, popolno zaščito za roke oz. kombinезon in zaščitna očala.
  - Neprimerno delo z napravo pomeni nevarnost telesnih poškodb.
- V primeru, da med nameščanjem uhaja hladilni plin, prostor prezračite.
  - Če hladilni plin pride v stik s plamenom, se sprostijo strupeni plini.
- Enoto namestite v skladu s Priročnikom za namestitev.
  - Če je enota nameščena nepravilno, lahko povzroči iztekanje vode, električni udar ali požar.
- Vsa dela, povezana s priklopom elektrike, opravi pooblaščen električar v skladu s Standardom o električnih instalacijah v zgradbah in Predpisi za notranje ožičenje ter navodili tega priročnika; pri delu je treba uporabljati ločen tokokrog.
  - V primeru nezadostne zmogljivosti električnega napajanja ali slabo izvedene električne napeljave lahko prode do električnega udara ali požara.
- Električnim delom se ne približujte z vodo (voda za čiščenje itd.).
  - Lahko povzročite električni udar, požar ali nastajanje dima.
- Trdno namestite pokrov priključnice enote vira toplote (oblogo).
  - Če pokrov priključnice (obloga) ni nameščen pravilno, lahko v enoto za vir toplote vdreta prah ali voda in povzročita električni udar in požar.
- Pri nameščanju ali selitvi klimatsko napravo polnite samo s hladivom, ki je navedeno na enoti (R410A).
  - Pri uporabi drugega hladiva, ali če je originalnemu hladivu primešam zrak, lahko pride do napake v hladilnem procesu in poškodbe enote.
- Če je klimatska naprava nameščena v majhnem prostoru, morate izvesti ustrezne varnostne ukrepe in tako preprečiti prekoračitev zgornje meje koncentracije hladiva tudi, če pride do puščanja.
  - Glede pravih mer se posvetujte s prodajalcem in tako preprečite prekoračitev zgornje meje. V primeru, da hladivo pušča in prekorači zgornjo mejo, lahko pride do nevarnosti zaradi pomanjkanja kisika v prostoru.
- Pri premikanju in ponovnem nameščanju klimatske naprave se posvetujte s prodajalcem ali pooblaščenim tehnikom.
  - Če je klimatska naprava nameščena nepravilno, lahko povzroči iztekanje vode, električni udar ali požar.
- Po končani namestitvi se prepričajte, da hladilni plin ne pušča.
  - Če hladilni plin pušča in je izpostavljen grelniku ventilatorja, štedilniku, pečici ali drugemu viru toplote, se lahko tvorijo škodljivi plini.
- Ne predelujte ali spreminjajte nastavitev zaščitnih naprav.
  - Če je tlačno stikalo, temperaturno stikalo ali druga zaščitna naprava premoščena in deluje prisilno, ali če so uporabljeni deli, ki jih Mitsubishi Electric ne navaja, lahko pride do požara ali eksplozije.
- Za odstranitev naprave se posvetujte s prodajalcem.
- Strokovnjak za namestitev in sistem mora zagotoviti varnost pred puščanjem v skladu z lokalnimi predpisi ali standardi.
  - Če ni lokalnih ureditev, se lahko uporabijo naslednji standardi.
- Posebno pozorni bodite na mestih kot so klet in podobni prostori, kjer se lahko hladilni plin zadržuje, saj je težji od zraka.
- Otroci morajo biti pod nadzorom, da s tem preprečite igranje z napravo.

### 1.2. Varnostni ukrepi za naprave, ki uporabljajo hladilo R410A

##### ⚠ Opozorilo:

- Ne uporabljajte drugega hladilnega sredstva razen tistega, ki je navedeno v priloženih priročnikih in na ploščici s tehničnimi karakteristikami.
  - Če tega ne upoštevate, lahko pride do pokanja naprave ali cevi, lahko pa tudi do eksplozije ali požara med uporabo, popravitom ali odstranjevanjem naprave.
  - Takšno ravnanje je lahko tudi v nasprotju z veljavno zakonodajo.
  - Družba MITSUBISHI ELECTRIC CORPORATION ne odgovarja za napake v delovanju ali nezgode, ki so posledica uporabe napačne vrste hladilnega sredstva.

### ⚠ Previdno:

- **Ne uporabljajte obstoječega cevovoda za hladivo.**
  - Staro hladivo ali olje hladilnika v obstoječem cevovodu vsebuje znatno količino klora, ki lahko povzroči poslabšanje olja hladilnika nove enote.
  - R410A je visokotlačno hladivo, ki lahko povzroči, da obstoječe ocevje počí.
- **Uporabljajte hladilne cevi iz C1220 (Cu-DHP) fosfornatega deoksidiranega bakra v skladu z določili japonskega industrijskega standarda JIS H3300 "Brezšivne cevi iz bakra in bakrenih zlitin". Poleg tega se prepričajte, da so notranje in zunanje površine čiste in brez nevarnega žvepla, oksidov, prahu/umazanije, ostankov obdelave, olja, vlage in drugih nečistoč.**
  - Nečistoče v notranjosti cevovoda za hladivo lahko povzročijo poslabšanje preostalega olja hladilnika.
- **Cevi, ki jih nameravate uporabiti za napeljavo, hranite v prostoru; oba konca cevi naj bosta zatesnjena vse do varjenja. (Kolena in ostale spojne elemente hranite v plastični vrečki.)**
  - Če v krogotok hladiva vstopi umazanija ali voda, lahko pride do poslabšanja olja in težav s kompresorjem.
- **Za premaz varjenih in prirobničnih spojev kot olje hladilnika uporabite estrsko olje, etrsko olje ali alkilbenzen (v majhnih količinah).**
  - Olje hladilnika se pri mešanju z večjimi količinami mineralnih olj poslabša.
- **Za polnjenje sistema uporabite tekoče hladivo.**
  - Če za polnjenje uporabite hladilni plin, se sestava hladila v valju spremeni in zmogljivost se lahko poslabša.
- **Uporabljajte samo hladilo R410A.**
  - Če s sredstvom R410A pomešate drugo hladilno sredstvo (R22, itd.), lahko klor v njem povzroči kvarjenje hladilnega olja.
- **Uporabite vakuumsko črpalko s protipovratnim ventilom.**
  - Olje vakuumske črpalke lahko steče nazaj v hladilni krogotok in povzroči poslabšanje olja hladilnika.
- **Ne uporabljajte naslednjih orodij, ki so uporabljena z običajnimi hladivi. (razdelilnik merilnikov, polnilna cev, detektor netesnosti za plin, protipovratni ventil, polnilni nastavek za hladivo, oprema za rekuperacijo hladiva)**
  - Če v R410A zmešate običajno hladilo in hladilno olje, lahko hladilo izgubi svoje hladilne lastnosti.
  - Če se v R410A primeša voda, se olje hladilnika lahko poslabša.
  - Ker R410A ne vsebuje klora, detektor netesnosti za plin za običajna hladiva z njima ne reagira.
- **Ne uporabljajte polnilnega valja.**
  - Uporaba polnilnega valja lahko povzroči poslabšanje hladiva.
- **Pri delu z orodjem bodite še posebej previdni.**
  - Če v krogotok hladiva vstopi umazanija ali voda, lahko pride do poslabšanja hladiva.

## 1.3. Pred namestitvijo

### ⚠ Previdno:

- **Enote ne namestite blizu možnega uhajanja vnetljivih plinov.**
  - Če plin pušča in se nabira okoli enote, lahko pride do eksplozije.
- **Klimatske naprave ne uporabljajte v bližini hrane, hišnih ljubljenčev, rastlin, natančnih instrumentov ali umetniških del.**
  - Kakovost hrane itd. se lahko poslabša.
- **klimatske naprave ne uporabljajte v posebnih okoljih.**
  - Olje, para, žveplen dim itd. lahko občutno zmanjšajo zmogljivost klimatske naprave ali poškodujejo njene dele.
- **Pri namestitvi klimatske naprave v bolnišnici, komunikacijski postaji ali podobnem prostoru, zagotovite protihrupno zaščito.**
  - Frekvenčni pretvorniki, zasebni generatorji električne energije, visokofrekvenčna medicinska oprema, radijska komunikacijska oprema in podobno lahko povzročijo nepravilno delovanje ali ustavev naprave. Poleg tega lahko klimatska naprava vpliva na tako opremo in s povzročanjem elektromagnetnih motenj moti medicinsko opremo in oddajanje TV-signalov.
- **Enote ne namestite blizu konstrukcije, ki lahko povzroči netesnost.**
  - Če vlažnost v prostoru preseže 80 % ali če je odvodna cev zamašena, lahko iz notranje enote kaplja kondenzat. Odvajanje vode izvedite skupaj z enoto, kot je zahtevano.

## 1.4. Pred namestitvijo (prestavljanjem) – dela z elektriko

### ⚠ Previdno:

- **Enoto ozemljite.**
  - Ozemljitvenega kabla ne povežite s plinsko cevjo, cevjo za vodo, strelovodom ali telefonskim ozemljitvenim kablom. Nepravilna ozemljitev lahko povzroči električni udar.

## 2. O izdelku

### ⚠ Opozorilo:

- **Ne uporabljajte drugega hladilnega sredstva razen tistega, ki je navedeno v priloženih priročnikih in na ploščici s tehničnimi karakteristikami.**
  - Če tega ne upoštevate, lahko pride do pokanja naprave ali cevi, lahko pa tudi do eksplozije ali požara med uporabo, popravilom ali odstranjevanjem naprave.
  - Takšno ravnanje je lahko tudi v nasprotju z veljavno zakonodajo.
  - Družba MITSUBISHI ELECTRIC CORPORATION ne odgovarja za napake v delovanju ali nezgode, ki so posledica uporabe napačne vrste hladilnega sredstva.
- Ta naprava uporablja hladilno sredstvo R410A.

- **Napajalni kabel napeljite tako, da ni napet.**
  - Natezna napetost lahko povzroči prekinitvev in ustvarita vročino ter povzroči požar.
- **Namestite tokovno zaščitno stikalo, kot je zahtevano.**
  - Če tokovno zaščitno stikalo ni nameščeno, lahko pride do električnega udara.
- **Uporabite energetske kable z zadostno zmogljivostjo.**
  - Prešibki kabli lahko prebijajo, tvorijo vročino in povzročijo požar.
- **Uporabite samo odklopnike in varovalke s predpisano zmogljivostjo.**
  - Premočna varovalka ali odklopnik, jeklena ali bakrena žica, lahko povzročijo popolno odpoved enote ali požar.
- **Enot klimatske naprave ne umivajte.**
  - Umivanje lahko povzroči električni udar.
- **Pazite, da se osnova za pritrditev po dolgi uporabi ne poškoduje.**
  - Če poškodbe ne popravite, enota lahko pade in povzroči poškodbe oseb in škodo na stvareh.
- **Odvodni cevovod namestite v skladu s Priročnikom za namestitev. Cevi ovijete s toplotno izolacijo in tako preprečite nabiranje kondenzata.**
  - Nepravilno izveden odvodni cevovod lahko povzroči iztekanje vode in poškoduje pohištvo in ostalo lastnino.
- **Pri transportu izdelka bodite zelo previdni.**
  - Izdelka, ki tehta več kot 20 kg, ne sme nositi samo ena oseba.
  - Nekateri izdelki za embalažo uporabljajo PP trakove. PP trakove ne uporabljajte kot transportno sredstvo. To je nevarno.
  - Enoto pri transportu podprite na vseh navedenih mestih na ogrodju. Enoto podprite tudi na štirih mestih, tako da ne zdrsne v stran.
- **Embalažni material varno odstranite.**
  - Embalažni material, kot so žebliji in drugi kovinski ter meseni deli, lahko povzročijo vbodne rane in druge poškodbe.
  - Raztrgajte in zavrzite plastične embalažne vreče, tako da se otroci ne bodo igrali z njimi. Če se otrok igra s plastično vrečo, ki ni raztrgana, obstaja nevarnost zadušitve.

## 1.5. Pred zagonom preskusnega delovanja

### ⚠ Previdno:

- **Kód chyby „7130“ sa zobrazí po splnení obidvoch nasledujúcich podmienok.**
  - Jednotka PWFY je pripojená k vonkajšej jednotke série Y.
  - Verzia softvéru je jednou z dolu uvedených verzí.
  - Séria PWFY: skoršie ako Ver. 1.13
  - Séria Y(YHM): skoršie ako Ver. 12.27
  - Séria Y(YJM): skoršie ako Ver. 1.31
  - Séria Replace Y(YJM): skoršie ako Ver. 11.31
  - Séria HP(ZUBADAN): skoršie ako Ver. 22.27
  - Séria WY: skoršie ako Ver. 12.29
- **Napajanje vključite vsaj 12 ur pred začetkom delovanja.**
  - Zagon delovanja, takoj po vklopu glavnega stikala, lahko povzroči hude poškodbe notranjih delov. Med sezono delovanja, mora biti glavno stikalo stalno vključeno.
- **Stikal se ne dotikajte z mokrimi prsti.**
  - Dotikanje stikal z mokrimi prsti lahko povzroči električni udar.
- **Med delovanjem in takoj po njem se ne dotikajte cevi s hladivom.**
  - Med in po delovanju so cevi s hladivom lahko vroče ali hladne, kar je odvisno od stanja v katerem se hladivo pretaka skozi cevovod, kompresor in druge dele hladilnega krogotoka. Če se dotakne cevi s hladivom lahko po rokah dobite opekline ali omrzline.
- **Klimatska naprava ne sme delovati, ko so obloge in zaščite odstranjene.**
  - Deli, ki se bodisi vrtijo, so vroči ali pod visoko napetostjo lahko povzročijo poškodbe.
- **Takoj po ustavi delovanja ne izključite napajanja.**
  - Preden izključite napajanje, vedno počakajte vsaj pet minut. Sicer lahko pride do izpusta vode in težav.
- **Med servisiranjem se ne dotikajte površine kompresorja.**
  - Če je enota povezana z napajanjem in ne deluje, deluje grelnik z ohlajenim na kompresorju.
- **Oblog poleg izpustne odprtine se ne dotikajte z golimi rokami: med delovanjem ali takoj po delovanju enote se lahko ogrejejo (čeprav se ustavi) in predstavljajo nevarnost opeklin. Za zaščito rok nosite rokavice, če se morate oblog dotikati.**
- **Med delovanjem enote ali takoj po delovanju lahko iz izpustne odprtine ventilatorja piha izpustni zrak visoke temperature. Z rokami ne segajte preko izpustne odprtine in se ne dotikajte oblog poleg izpustne odprtine.**
- **Zagotovite pot za izstopanje izpustnega plina iz ventilatorja.**
- **Vodovodne cevi lahko postanejo zelo vroče, kar je odvisno od nastavljenega temperature. Vodovodne cevi ovijete z izolacijo, da preprečite opekline.**

- Cevi v sistemih, ki uporabljajo R410A, se lahko razlikujejo od tistih v sistemih, ki uporabljajo konvencionalno hladilno sredstvo, ker je projektni tlak v sistemih z R410A višji. Več informacij poiščite v Podatkovnem priročniku.
- Nekaterih orodij in opreme, ki se uporabljajo za montažo sistemov z drugimi vrstami hladilnih sredstev, ni mogoče uporabiti pri sistemih, ki uporabljajo R410A. Več informacij poiščite v Podatkovnem priročniku.
- Ne uporabljajte obstoječih cevi, ker vsebujejo klor, ki je sestavina olja in hladilnega sredstva konvencionalnih hladilnih naprav. Klor kvari olje hladilne naprave v novi opremi. Obstoječih cevi ni dovoljeno uporabiti, ker je projektni tlak v sistemih z R410A višji od tistega v sistemih, ki uporabljajo druge vrste hladilnih sredstev, in lahko obstoječe cevi popokajo.

### 3. Specifikacije

#### ⚠ Opozorilo:

Ne uporabljajte drugega hladilnega sredstva razen tistega, ki je navedeno v priloženih priročnikih in na ploščici s tehničnimi karakteristikami.

- Če tega ne upoštevate, lahko pride do pokanja naprave ali cevi, lahko pa tudi do eksplozije ali požara med uporabo, popraviлом ali odstranjevanjem naprave.
- Takšno ravnanje je lahko tudi v nasprotju z veljavno zakonodajo.
- Družba MITSUBISHI ELECTRIC CORPORATION ne odgovarja za napake v delovanju ali nezgode, ki so posledica uporabe napačne vrste hladilnega sredstva.

Model	PWFY-P100VM-E-BU	PWFY-P100VM-E1-AU	PWFY-P200VM-E1-AU	
Raven zvoka	44dB<A>	29dB<A>	29dB<A>	
Hladilo	R134a × 1,1 kg	-	-	
Neto teža	60 kg	35 kg	38 kg	
Računski tlak	R410A MPa	4,15	4,15	
	R134a MPa	3,60	-	
	Voda MPa	1,00	1,00	
Možna povezava Zunanja enota	Skupna zmogljivost	50~100 % zmogljivosti zunanje enote	Priključite samo na zunanjo enoto	
	Model/količina	Len pre R2, séria Replace R2, séria WR2	Y, séria Replace Y, séria HP(ZUBADAN), séria WY, R2, séria Replace R2, séria WR2	PUMY-P-V/YHMB(-BS)
Razpon temp. Gretje	Zunanja temp.	-20~32 °CWB (59~90 °F)	-20~32 °CWB (-4~90 °F) PURY - serija -20~15,5 °CWB (-4~60 °F) PUHY - serija	-15~21 °CDB (5~70 °F), -15~15 °CWB (5~59 °F)
	Temp. dovodne vode	10~70 °C (50~158 °F)	10~40 °C (50~104 °F)	10~45 °C (50~113 °F)
Razpon temp. Hlajenje	Zunanja temp.	-	-5~43 °CDB (23~110 °F) PURY - serija -5~43 °CDB (23~110 °F) PUHY - serija	-
	Temp. dovodne vode	-	10~35 °C (50~95 °F)	-

### 4. Priloženi deli

- ① Cedilo      ② Toplotna izolacija      ③ Komplet konektorjev × 2      ④ Ekspanzijski stik × 2 (PWFY-P200VM-E1-AU)      ⑤ Vodič      ⑥ Stikalo pretoka (PWFY-P100/P200VM-E1-AU)

### 5. Način dvigovanja

#### ⚠ Svarilo:

Pri prenašanju izdelka bodite zelo previdni.

- Izdelka, težkega več kot 20 kg, ne sme nositi ena sama oseba.
- Za nekatere izdelke se uporabljajo PP trakovi. Ne uporabljajte jih kot transportno sredstvo, saj so nevarni.
- Plastično embalažo raztrgajte in jo odstranite, da se otroci z njo ne morejo igrati. Otroci se lahko s plastično vrečko zadušijo.

### 6. Namestitev enote in servisni prostor

#### 6.1. Namestitev

- S sidrnimi odprtinami, kot je prikazano spodaj, čvrsto pritegnite enoto na osnovo.

[Fig. 6.1.1] (P.2)

- Ⓐ 4-ø14 (sidna odprtina)      Ⓑ (pogled od zgoraj)

#### Osnove

- Enoto zagotovo namestite na mesto, ki je dovolj trdno, da prenese njeno težo. Je osnova ni stabilna, jo utrdite z betonsko osnovo.
- Enoto morate zasidrati na ravno površino. Ali je enota ravna, po namestitvi preverite z vodno tehtnico.
- Če enoto namestite blizu prostora, kjer je hrup nezaželen, uporabite protivibracijsko stojalo na osnovi enote.

#### ⚠ Opozorilo:

- Enoto zagotovo namestite na mesto, ki je dovolj trdno, da prenese njeno težo.

Če podlaga ne zdrži enote, lahko pade in poškoduje ljudi.

- Pri namestitvi zagotovite zaščito pred potresom.

Če slaba namestitev povzroči, da enota pade s podlage, lahko pade in poškoduje ljudi.

#### 6.2. Servisni prostor

- Namestitev izvedite tako, da pustite dovolj prostora za servisiranje.

(Celotno servisiranje se izvaja iz sprednje strani enote)

[Fig. 6.2.1] (P.2)

Model	a	b	c
PWFY-P100VM-E-BU	400	300	600
PWFY-P100VM-E1-AU	400	300	600
PWFY-P200VM-E1-AU	400	300	600

- Ⓐ Prostor za cevi (desna stran)      Ⓑ Pogled od zgoraj  
Ⓒ Servisni prostor (sprednja stran)

### 7. Namestitev vodovodnih cevi

- Pred daljšim obdobjem neuporabe izpraznite cevi in pustite, da se dobro posušijo.
- Uporabite zaprt vodni krogotok.
- Ko se naprava ohlaja, dodajte slanico v obtočno vodo, da bi preprečili zmrzovanje.
- Ak želite v sistemu použiti slanú vodu, DipSW 1-10 musí byt' nastavený na ZAP.
- Pri namestitvi v okolje z nizkimi temperaturami mora voda vedno krožiti. Če to ni mogoče, popolnoma izpraznite vodovodne cevi oz. napolnite cevi s slanico.
- Vode, ki jo uporablja ta enota, ne uporabljajte za pitje ali proizvodnjo hrane.

- Za vodovodne cevi ne uporabljajte jeklenih cevi.

Model	Dovod vode	Odvod vode
PWFY-P100VM-E-BU	PT 3/4 vijak	PT 3/4 vijak
PWFY-P100VM-E1-AU	PT 3/4 vijak	PT 3/4 vijak
PWFY-P200VM-E1-AU *1 Če so nameščeni priloženi ekspanzijski stiki.	PT 1 vijak*1	PT 1 vijak*1



## 7.1. Opozorila med namestitvijo

- Uporabite način dveh cevi, da zagotovite pravilni uporabo cevodov za vsako enoto.
- Za preprosto vzdrževanje, kontrolo in zamenjavo enote uporabite pravilne spoje, ventile itd. na dovodu in odvodu vode. Prepričajte se tudi, da na dovodu vode namestite cedilo. (Za vzdrževanje enote je potrebno cedilo na dovodu krožeče vode.)
- Na vodovodno cev namestite ustrezno zračenje. Ko vodo spustite skozi cevovod, odzračite odvečni zrak.
- V delu za hladno temperaturo enote, se lahko pojavi kondenzirana voda. Za odvodnjavanje uporabite na osnovi enoti nameščen odvodni cevovod, povezan z izpustnim ventilom.
- Na črpalko namestite protipovratni ventil in prilagodljivi stik, da preprečite pretirano vibriranje.
- Uporabite obojke, da zaščitite cevi, ki potekajo skozi steno.
- Za pritrditev cevi uporabite kovinske pritrdilne elemente in jih namestite tako, da so kar najbolj zaščiteni pred lomom in upogibanjem.
- Ne zamenjajte dovoda vode in izpustnih ventilov.
- Enota nima grelca, ki bi v ceveh preprečeval zamrzovanje. Ko se pretok vode v hladnem ozračju ustavi, vodo izpustite iz cevi.
- Neuporabljene prebite luknje zaprite, odprtine za hladilni cevovod, vodne cevi, vir energije in krmilne kable pa napolnite s kitom ali podobnim, da jih zaščitite pred vodo.
- Namestite cedilo pod kotom 45° ali manj, kot kaže [Fig. 7.1.2].
- Okoli vijaka zavijte nekoliko tesnilnega traku, da preprečite puščanje vode.
- Tesnilni trak ovijte v skladu z navodili v nadaljevanju.
  - ① Spoj ovijte s tesnilnim trakom v smeri navojev (v smeri urinega kazalca). Trak ne sme segati preko robov.
  - ② Pri vsakem zavoju prekrijte dve tretjini do tri četrtine širine že navitega traku. Trak s prsti čvrsto pritisnite ob vsakega od navojev.
  - ③ Ne ovijte do konca. Zadnja 1,5 do 2 navoja pustite neovita.
- Namestite dobavljeno cedilo na dovod vode.
- Cev na strani enote držite s ključem, ko nameščate cevi ali cedilo. Vijake pritegnite z momentom 50 N·m.
- Vodovodne cevi lahko postanejo zelo vroče, kar je odvisno od nastavljenih temperature. Vodovodne cevi ovijte z izolacijo, da preprečite opekline.
- Pri modelu PWFY-P200VM-E1-AU namestite ekspanzijski stik (dodatek) na dovod, potem ko namestite cedilo in odvod.

② Standard kakovosti vode

Predmeti		Vodni sistem s spodnjimi srednjimi temperaturami Temp. vode ≤ 60 °C		Vodni sistem z višjimi srednjimi temperaturami Temp. vode > 60 °C		Tendencia	
		Recirkulirajoča voda	Pripravljalna voda	Recirkulirajoča voda	Pripravljalna voda	Korozivno	Povzročajo vodni kamen
Standardni predmeti	pH (25 °C)	7,0 ~ 8,0	7,0 ~ 8,0	7,0 ~ 8,0	7,0 ~ 8,0	○	○
	Električna prevodnost(mS/m) (25 °C) (μ s/cm) (25 °C)	30 ali manj [300 ali manj]	30 ali manj [300 ali manj]	30 ali manj [300 ali manj]	30 ali manj [300 ali manj]	○	○
	Kloridni ion (mg Cl/l)	50 ali manj	50 ali manj	30 ali manj	30 ali manj	○	
	Sulfatni ioni (mg SO <sub>4</sub> <sup>2-</sup> /l)	50 ali manj	50 ali manj	30 ali manj	30 ali manj	○	
	Poraba kisline (pH4.8) (mg CaCO <sub>3</sub> /l)	50 ali manj	50 ali manj	50 ali manj	50 ali manj		○
	Skupna trdota (mg CaCO <sub>3</sub> /l)	70 ali manj	70 ali manj	70 ali manj	70 ali manj		○
	Kalcijeva trdota (mg CaCO <sub>3</sub> /l)	50 ali manj	50 ali manj	50 ali manj	50 ali manj		○
	Ionski silicijev dioksid (mg SiO <sub>2</sub> /l)	30 ali manj	30 ali manj	30 ali manj	30 ali manj		○
Referenčni predmeti	Železo (mg Fe/l)	1,0 ali manj	0,3 ali manj	1,0 ali manj	0,3 ali manj	○	○
	Baker (mg Cu/l)	1,0 ali manj	1,0 ali manj	1,0 ali manj	1,0 ali manj	○	
	Sulfidni ion (mg S <sup>2-</sup> /l)	ni mogoče odkriti	ni mogoče odkriti	ni mogoče odkriti	ni mogoče odkriti	○	
	Amonijev ion (mg NH <sub>4</sub> <sup>+</sup> /l)	0,3 ali manj	0,1 ali manj	0,1 ali manj	0,1 ali manj	○	
	Rezidualni klor (mg Cl/l)	0,25 ali manj	0,3 ali manj	0,1 ali manj	0,3 ali manj	○	
	Prosti ogljikov dioksid (mg CO <sub>2</sub> /l)	0,4 ali manj	4,0 ali manj	0,4 ali manj	4,0 ali manj	○	
Indeks stabilnosti (Ryzner)	-	-	-	-	○	○	

Referenca : Smernice kakovosti vode za hladilno opremo in klimatske naprave (JRA GL02E-1994)

- ③ Preden za uravnavanje kakovosti vode uporabite protikorozivne raztopine, se o načinih nadziranja kakovosti vode in izračunavanja kakovosti vode posvetujte s strokovnjakom za nadzor kakovosti vode.
- ④ Če menjujete nameščeno klimatsko napravo (čeprav menjujete samo toplotni izmenjevalnik), najprej analizirajte kakovost vode in preverite morebitno rjavenje. Rjavenje se lahko pojavi v sistemih s hladno vodo, četudi ni predhodnih znakov rjavenja. Če je raven kakovosti vode padla, kakovost vode ustrezno prilagodite, preden zamenjate enoto.

## Primer namestitve enote (z vodno cevjo)

[Fig. 7.1.1] (P.2)

- |                     |                    |
|---------------------|--------------------|
| Ⓐ Zaporni ventil    | Ⓑ Dovod vode       |
| Ⓒ Odvod vode        | Ⓓ Hladilni cevovod |
| Ⓔ Cedilo vrste Y    | Ⓕ Odvodna cev      |
| Ⓖ Ekspanzijski stik |                    |

## 7.2. Namestitev izolacije

Temperature površine vodovodne napeljave bi bila zelo visoka, odvisno od nastavljenih temperature. Cev izolirajte, da preprečite opekline. Ko PWFY-P100/P200VM-E1-AU obratuje s hladno vodo, izolirajte vodovodno cev, da preprečite kondenzacijo. Izolacijo zavijte okoli vodovodnih cevi, kot je prikazano na [Fig. 7.2.1].

- Vsi ogrevalni cevovodi.
- Notranje cevi v območjih s hladnim vremenom, kjer povzročajo zamrzovanje cevi težave.
- Kjer zunanji zrak povzroča, da se na ceveh dela kondenzacija.
- Vse odvodne cevi.

[Fig. 7.2.1] (P.2)

- |                                 |
|---------------------------------|
| Ⓐ Toplotna izolacija (dodatek)  |
| Ⓑ Injicirajte s tesnilno snovjo |

## 7.3. Obdelava vode in nadzor kakovosti vode

Za ohranitev kakovosti vode uporabite vodno napeljavo zaprtega tipa. Pri krožeči vodi nizke kakovosti se lahko na toplotnem izmenjevalniku naredi vodni kamen, ki povzroči zmanjšano moč toplotne izmenjave in korozijo toplotnega izmenjevalnika. Ko nameščate sistem vodnega krogotoka, ravnajte zelo premišljeno pri obdelavi vode in nadzoru kakovosti vode.

- Odstranjevanje tujkov ali nečistoč iz cevi. Med namestitvijo zagotovite, da tujki, kot so delci, ki nastanejo pri varjenju, koščki tesnila ali rje ne padejo v cevi.
- Priprava kakovosti vode

① Glede na kakovost vode, lahko bakrene cevi toplotnega izmenjevalnika zarjavijo. Priporočamo redno pripravo kakovosti vode.

Sistem kroženja vode, ki uporablja odprte rezervoarje tople vode, je nagnjen k rjavenju.

Pri uporabi rezervoarja tople vode odprtega tipa namestite toplotni izmenjevalnik voda-voda in uporabljajte tokokrog z zaprtim zankom na strani klimatske naprave. Pri namestitvi rezervoarja za dovajanje vode mora biti stik za zrakom minimalen, raven raztopljenega kisika v vodi pa pod 1mg/l.

## 7.4. Zapora črpalke

Kvůli vykonaniu skúšobnej prevádzky pred tým, ako dokončíte blokovací obvod čerpadla, zrealizujte krátke spojenie s blokom koncovky TB142A (IN1) a následne vykonajte skúšobnú prevádzku.

Enota sa lahko poškoduje, če deluje brez vode, ki bi krožila skozi ocevyje.

<PWFY-P100VM-E-BU>

Prepričajte sa, da je delovanie enote povezano s črpalčko za kroženie vode. Uporabite priključnice za povezavo TB142A (IN1), ki jo najdete na enoti.

[Fig. 7.4.1] (P.2)

<PWFY-P100/200VM-E1-AU>

<Zapora črpalke>

V systéme vrátane PWFY-P100/P200VM-E1-AU môže obežná voda zamrznúť s dôsledkom poruchy jednotky. Aby ste zabránili zamrznutiu, elektrotechnické práce zrealizujte podľa [Fig. 7.4.2].

<Stikalo pretoka>

Pri namešćanju enote, priloženo stikalo pretoka namestíte na strani izhoda za vodo in priključíte žico na IN1 priključka TB142A na enoti.

Če stikalo pretoka ni namešćeno, bo enota oddala opozorilni signal (2100: napaka blokade) in prenehala z delovaním.

\* Žica proti kratkemu stiku je priložena, vendar je namenjena samo za preizkus.

<Postopki za namešćitev>

① Odstráňte cevi, ki so priključene na stikalo pretoka.

Opomba: Enota je dostavljena z rahlo zategnjenimi cevmi.

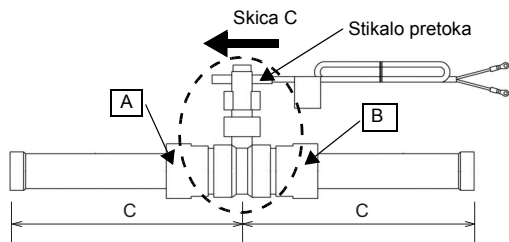
② Ovijte tesnilni trak okoli ovojev na koncu cevi, začnite pri 1,5. oz. 2. navoju in prekrivajte odprtin. Ovijte dvakrát do trikrát v smeri navojev cevi (v smeri urnega kazalca). Vsak naslednji ovitek traku mora prekrivati prvega za 2/3 oz. 3/4 širine traku. S prstí pritisnite navoje in trak, da s tem potisnete trak v navoje

Nato pritrdíte cevi na stikalo pretoka, pri tem dela A in B držíte s ključem. Največji pritezni moment znaša 60 N•m (611 kgf•cm).

③ Pritrdíte stikalo pretoka in cevi na izhod za vodo v vodoravnom položíju. Kot, pod katerim je os cevi, ne sme presegati 45 stopinj.

Preveríte smer stikala pretoka kot je prikazano na skici Skica C.

④ Priključíte žičko stikala pretoka na IN1 priključka TB142A.



	C
PWFY-P100VM-E1-AU	175 mm
PWFY-P200VM-E1-AU	205 mm

DipSW nastave podľa dolu uvedenej tabuľky.

DipSW3-6	Kontakt externého výstupu
ON	Účinný, ak je Termo – ZAP
OFF	Účinný, ak je Operácia – ZAP (Diaľkový ovládač – ZAP)

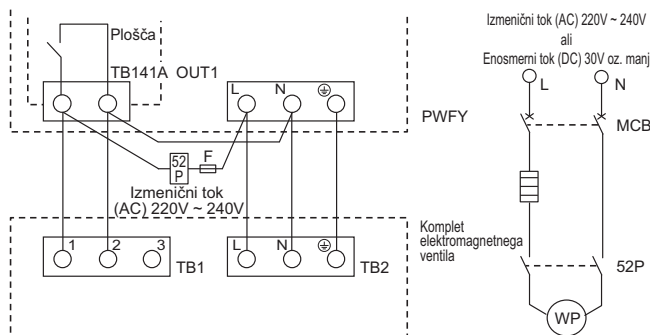
Nezabudnite zapnúť elektrický prívod do čerpadla, pretože ovládanie fungovať nebude, ak elektrický prívod do čerpadla vypnete.

<PAC-SV01PW-E>

Priključíte napeljavo kot prikazuje [Fig. 7.4.3] pri povezovanju delovania črpalke z druhými enotami IN priključitvi kompleta elektromagnetnega ventilu (PAC-SV01PW-E) na systém, ki vključuje Y-serijo, HP(ZUBADAN)-serijo zunaních enot, notranje enote in PWFY-P100/P200VM-E1-AU.

Nastavíte Dip SW3-6 na ON (Vklopljeno). Zagotovíte, da je različica programske opreme 1.18 ali novejša.

[Fig. 7.4.3]



F: varovávka

52P: Magnetní kontraktor za vodno črpalčko s toplotným virom

MCB: prekinjevalec elektrického tokokroga

WP: vodna črpalčka

## 8. Tehniční podatkí za odvodno cev in cev za hladivo

Na ceveh za hladivo in odvodnih ceveh izvedíte zadostno protikondenzacísjsko in toplotno izolacíju ter tako preprečíte kapljanje kondenzátu.

Ko uporabljáte trgovsko dobavljíve cevi za hladivo, moráte obe cevi, za kapljevino in plín, izolírati obíčajno dobavljívim izolacísjskim materiálom (s temperaturno odpornostjo več kot 100 °C in spodaj podáno debelíno).

① Debelíno izolacíje izberíte glede na velíkost cevi.

Model	PWFY-P100VM-E-BU	PWFY-P100VM-E1-AU	PWFY-P200VM-E1-AU
Plín	ø15,88	ø15,88	ø19,05
Tekočina	ø9,52	ø9,52	ø9,52
Odvod	ø32		
Debelína izolacíje	več kot 10 mm		

② Če enoto uporabljáte v najvíšjem nadstropju stavbe in v pogojih visoke temperature ter vlažnosti, moráte uporabíti večje cevi in debelejšo izolacíju, kot v zgornji tabeli.

Vse cevi, ki gredo skozi prostor, moráte izolírati z razpoložlívím izolacísjskim materiálom (s políetílenom s specífično težo 0,03 in spodaj podáno debelíno).

③ Če obstájate tehniční podatkí stranke, jim preprosto sledíte.

### 8.1. Cev za hladivo, odvodna cev in polnílni priključek

[Fig. 8.1.1] (P.3)

Ⓐ Cevovod za hladivo (plín)

Ⓒ Dovod vode

Ⓔ Odvodní izpust

Ⓑ Cevovod za hladivo (tekočina)

Ⓓ Odvod vode

\*1: PWFY-P100/200VM-E1-AU

## 9. Priključevanje odvodnih cevi in cevi za hladivo

### 9.1. Cevovod za hladivo

Cevovod za hladivo mora biti izdelan v skladu s priročnikom za namestitvev za zunanjo enoto in BC-krmilnik (sočasno grejte in hlajenje serije R2).

- Serija R2 je načrtovana za delovanje v sistemu, v katerem je cev za hladivo z zunanjo enoto napeljana do BC-krmilnika, v katerem se razveji in prek njega poveže z notranjimi enotami.
- Za sile na dolžini cevi in dovoljene višinske razlike glejte priročnik zunanje enote.
- Cevni spoji so izvedeni s trdim varjenjem.

#### ⚠ Previdno:

- Cevovod za hladivo za notranjo enoto namestite v skladu z naslednjim.

1. Odrežite vrh cevovoda notranje enote in odstranite plin ter zvarjeno kapo.

#### [Fig. 9.1.1] (P.3)

- Ⓐ Odrežite tu
- Ⓑ Odstranite zvarjeno kapo

2. Toplotno izolacijo potisnite na stran cevovoda za hladivo, enoto navarite cevovod in izolacijo potisnite v prvotni položaj.

Cevovod ovijte z izolirnim trakom.

#### Opomba:

- Pri ovijanju bakrenih cevi natančno pazite, saj lahko ovijanje cevi povzroči kondenzacijo, namesto da bi jo preprečilo.

\* Preden zvarite cevovod za hladivo, vedno ovijte cevovod glavnega ohišja in toplotno izoliran cevovod z vlažno krpo, da preprečite skrčenje zaradi vročine in vžig toplotne izolacijske cevi. Zagotovite, da plamen ne prihaja v stik z glavnim ohišjem.

#### [Fig. 9.1.2] (P.3)

- Ⓐ Toplotna izolacija
- Ⓑ Potisnite ven izolacijo
- Ⓒ Ovijte z mokro krpo
- Ⓓ Vrnite v prvotni položaj
- Ⓔ Zagotovite spoj brez reže
- Ⓕ Ovijte z izolirnim trakom.

### Varnostni ukrepi na cevovodu za hladivo

- ▶ Za varjenje uporabite neoksidacijske lote in zagotovite, da v cev ne vnesete tujkov ali vlago.
- ▶ Prek naležnih površin vara nanesite hladilno strojno olje in pritegnite spoj z uporabo dvojnega ključa.
- ▶ Podporo cevi za hladivo izvedite s kovinskimi sponami, tako da konec cevi v notranji enoti ni obremenjen. Kovinska spona mora biti pritrjena 50 cm stran od varjenega spoja notranje enote.

#### ⚠ Opozorilo:

- Ne uporabljajte drugega hladilnega sredstva razen tistega, ki je navedeno v priloženih priročnikih in na ploščici s tehničnimi karakteristikami.
  - Če tega ne upoštevate, lahko pride do pokanja naprave ali cevi, lahko pa tudi do eksplozije ali požara med uporabo, popravilom ali odstranjevanjem naprave.
  - Takšno ravnanje je lahko tudi v nasprotju z veljavno zakonodajo.
  - Družba MITSUBISHI ELECTRIC CORPORATION ne odgovarja za napake v delovanju ali nezgode, ki so posledica uporabe napačne vrste hladilnega sredstva.
- Pri nameščanju ali selitvi enoto polnite samo s hladivom (R407C ali R22), ki je navedeno na enoti.
  - Mešanje različnih hladiv, zraka itd. je lahko vzrok napak v hladilnem krogotoku in povzroči hude poškodbe.

#### ⚠ Previdno:

- Uporabljajte hladilne cevi iz C1220 (Cu-DHP) fosfornatega deoksidiranega bakra v skladu z določili japonskega industrijskega standarda JIS H3300 "Brezšivne cevi iz bakra in bakrenih zlitin". Poleg tega se prepričajte, da so notranje in zunanje površine čiste in brez nevarnega žvepla, oksidov, prahu/umazanije, ostankov obdelave, olja, vlage in drugih nečistot.
- Nikoli ne uporabljajte obstoječega cevovoda za hladivo.
  - Velika količina klorja v običajnem hladivu in olju hladilnika v obstoječem cevovodu povzroči poslabšanje novega hladiva.
- Cevi, ki jih nameravate uporabiti za napeljavo, hranite v prostoru; oba konca cevi naj bosta zatesnjena vse do varjenja.
  - Če v krogotok hladiva vstopi umazanija ali voda, se olje poslabša in kompresor se lahko okvari.

## 10. Električna napeljava

### Varnostni ukrepi na električni napeljavi

#### ⚠ Opozorilo:

Električno napeljavo morajo opraviti usposobljeni elektrotehnik v skladu s Tehničnimi standardi za električne instalacije in priloženimi navodili za namestitvev. Prav tako morate uporabiti posebne tokokroge. Če električni tokokrog nima zadostne zmogljivosti ali če je napačno nameščen, lahko povzroči električni udar ali požar.

1. Zagotovite, da bo električno napajanje izvedeno z ločeno vejo.
2. Prepričajte se, da ste na električno napajanje namestili tokovno zaščitno stikalo.
3. Namestite enoto in tako preprečite, da kateri od krmilnih kablov tokokroga (daljinski upravljalnik, krmilni kabli ali zunanja dovodna/odvodna linija) ne pride v stik z napajalnim kablom zunaj enote.
4. Prepričajte se, da so vse kableske povezave čvrste.

### 9.2. Odvodni cevovod

1. Zagotovite, da je odtočna cev speljana navzdol (nagib več kot 1/100) in ven (za izpust). Odtočna cev ne sme imeti sifona ali drugih nepravilnosti. (①)
2. Zagotovite, da je odtočni cevovod, ki vsebujejo prečne odseke, krajši od 20 m (izključujočo višinsko razliko). Če je odtočni cevovod dolg, ga pritrdite s kovinskimi sponami, da preprečite nihanje. Nikoli ne namestite oddušne cevi. Drugače lahko pride do pršenja vsebine odtoka.
3. Za odvodni cevovod uporabite klor-vinilno cev VP-25 (z zunanjim premerom 32 mm).
4. Zagotovite, da so cevi združene 10 cm nižje od odvodnega priključka enote, kot je prikazano v ②.
5. Na izpustni odprtini odvodna ne delajte sifona.
6. Odvodnega cevovoda ne končajte na mestu, kjer ni neprijetnih vonjav.
7. Odvodnega cevovoda ne končajte v odvodu, kjer se tvorijo ionizirani plini.

#### [Fig. 9.2.1] (P.3)

- Ⓐ Nagib navzdol 1/100 ali več
- Ⓑ Odtočna cev
- Ⓒ Enota
- Ⓓ Zbiralni cevovod
- Ⓔ Dolžino maksimirajte na približno 10 cm

### 9.3. Povezovanje električnih priključkov

Prepričajte se, da je ime modela v navodilih za obratovanje na pokrovu krmilnega okrova enake, kot je ime modela na ploščici z imenom.

#### Korak 1

Odstranite vijake, ki držijo pokrov priključnice.

#### [Fig. 9.3.1] (P.3)

- Ⓐ vijaki
- Ⓑ Sprednja obloga
- Ⓒ Krmilni okrov

#### Opomba:

Zagotovite, da med nameščanjem okrova ne preščipnete žic. Preščipnjenje žice lahko žico prereže.

#### ⚠ Svarilo:

Napeljavo izvedite tako, da ni pretesna ali napeta. Napeta napeljava se lahko strga ali pregreje in zagori.

- Za pritrditev dovodne/odvodne napeljave električnega napajanja na krmilni okrov uporabite natezno kabelsko uvodnico, da preprečite električni šok. (PG-uvodnica ali kaj podobnega.)  
Krmilne žice speljite skozi prebite luknje priključnice z uporabo običajnega kabelskega skoznjika in jih priključite na krmilne priključne sponke.
- Po opravljeni napeljavi žic se ponovno prepričajte, da povezave niso ohlapne, in v obratnem vrstnem redu kot pri odstranitvi ponovno namestite krmilni okrov.

#### [Fig. 9.3.2] (P.3)

- Ⓐ Da preprečite zunanjo natezno moč zaradi povezave z ožičenjem napajalnega vira priključnice, uporabite natezno kabelsko uvodnico kot je povezava PG ali podobno.
- Ⓑ Dovodni kabel za zunanji signal
- Ⓒ Odvodni kabel za zunanji signal
- Ⓓ Napeljava električnega napajanja
- Ⓔ Natezna sila
- Ⓕ Uporabite kabelski skoznjik
- Ⓖ Krmilni kabel in kabel za daljinsko upravljanje MA

#### ⚠ Svarilo:

Električno napajanje izvedite tako, da žice ne bodo napete. Drugače lahko pride do prekinitve stika, pregrevanja ali požara.

5. Nekatere kable (električni, daljinski upravljalnik, krmilni kabli, zunanja dovodna/odvodna linija), ki so nad stropom, lahko pregriznejo miši. Za zaščito kablov uporabite čim več kovinskih cevi.
6. Napajalnih kablov nikoli ne priključite na žile krmilnih kablov, saj se lahko kabli prelomijo.
7. Prepričajte se, da ste krmilne kable priključili na notranjo enoto, daljinski upravljalnik in zunanjo enoto.
8. Enoto obvezno ozemljite.
9. Izberite krmilne kable glede na podatke, ki so navedeni na strani 116.

#### ⚠ Previdno:

Prepričajte se, da ste enoto postavili na tla na zunanji strani enote. Ozemljitvena kabla ne povežite s plinsko cevjo, cevjo za vodo, strelovodom ali telefonskim ozemljitvenim kablom. Nepopolna ozemljitev lahko povzroči električni udar.

## Vrste krmilnih kablov

### 1. Napeljava krmilnih kablov

- Vrste krmilnih kablov  
Električno napeljavo izvedite v skladu s sledečo tabelo <Table 1>.
- Uporabite kable z dodatno izolacijo.

### 1. Krmilni kabli

PWFY-P100VM-E-BU

	Krmilni kabli	Kabli daljinskega upravljalnika MA	Zunanji vhod	Zunanji izhod
Vrsta kabla	Oklopljena žica (2-žilna) CVVS, CPEVS ali MVVS	Oplaščen 2-žilni kabel (oklopljen) CVVS	Oplaščen večžilni kabel (oklopljen) CVVS ali MVVS	Oplaščen večžilni kabel (oklopljen) CVVS ali MVVS
Presek kabla	Več kot 1,25 mm <sup>2</sup>	0,3 ~ 1,25 mm <sup>2</sup> (0,75 ~ 1,25 mm <sup>2</sup> )*1	0,3 ~ 0,5 mm <sup>2</sup>	0,3 ~ 1,25 mm <sup>2</sup>
Opombe	-	Maks. dolžina: 200 m	Maks. dolžina: 100 m	Nazivna napetost: L1-N: 220 - 240 V Nazivna obremenitev: 0,6 A

PWFY-P100/200VM-E1-AU

	Krmilni kabli	Kabli daljinskega upravljalnika MA	Zunanji vhod	Zunanji izhod
Vrsta kabla	Oklopljena žica (2-žilna) CVVS, CPEVS ali MVVS	Oplaščen 2-žilni kabel (oklopljen) CVVS	Oplaščen večžilni kabel (oklopljen) CVVS ali MVVS	Oplaščen večžilni kabel (oklopljen) CVVS ali MVVS
Presek kabla	Več kot 1,25 mm <sup>2</sup>	0,3 ~ 1,25 mm <sup>2</sup> (0,75 ~ 1,25 mm <sup>2</sup> )*1	0,3 ~ 0,5 mm <sup>2</sup>	0,3 ~ 1,25 mm <sup>2</sup>
Opombe	-	Maks. dolžina: 200 m	Maks. dolžina: 100 m	Nazivna napetost: L1-N: 220 - 240 V Nazivna obremenitev: 0,6 A

- \*1 Povezan s preprostim daljinskim upravljalnikom.
- CVVS, MVVS : S PVC izoliran PVC oplaščen oklopljen nadzorni kabel  
 CVV, MVV : S PVC izoliran PVC oklopljen nadzorni kabel  
 CPEVS : S PE izoliran PVC oplaščen oklopljen komunikacijski kabel

## 10.1. Napeljava električnega napajanja

- Kabli za električno napajanje naprav ne smejo biti šibkejši od 245 IEC 57 ali 227 IEC 57.
- Prek namestitve klimatske naprave morate zagotoviti stikalo z najmanj 3 mm ločitvi kontakta na vsakem polu.

## ELEKTRIČNA DELA

### 1. Električne značilnosti

Model	Napajanje z energijo				Kompresor		RLA (A)
	Hz	Volti	Območje napetosti	MCA (A)	Izhod (kW)	SC (A)	Gretje
PWFY-P100VM-E-BU	50/60	220-230-240 V	Maks. 264 V Min. 198 V	15,71	1,0	1,25	11,63-11,12-10,66

Model	Napajanje z energijo				RLA (A)	
	Hz	Volti	Območje napetosti	MCA (A)	Hlajenje	Gretje
PWFY-P100VM-E1-AU PWFY-P200VM-E1-AU	50/60	220-230-240 V	Maks. 264 V Min. 198 V	0,085	0,068-0,065-0,063	

### 2. Specifikacije električnega kabla

Model	Minimalna debelina žice (mm <sup>2</sup> )			Zaščitno stikalo za uhajanje toka	Lokalno stikalo (A)		Zaščitno stikalo za ožičenje (NFB) (A)
	Glavni kabel	veje	Ozemljitev		zmogljivost	varovalka	
PWFY-P100VM-E-BU	2,5	-	2,5	30 A 30 mA 0,1 sek ali manj	25	25	30

Model	Skupni delovni tok	Minimalna debelina žice (mm <sup>2</sup> )			Zaščitno stikalo za uhajanje toka	Lokalno stikalo (A)		Zaščitno stikalo za ožičenje (NFB) (A)	
		Glavni kabel	veje	Ozemljitev		zmogljivost	varovalka		
PWFY-P100VM-E1-AU		16 A ali manj	1,5	1,5	1,5	20 A 30 mA 0,1 sek. ali manj	16	16	20
PWFY-P200VM-E1-AU		25 A ali manj	2,5	2,5	2,5	30 A 30 mA 0,1 sek. ali manj	25	25	30
		32 A ali manj	4,0	4,0	4,0	40 A 30 mA 0,1 sek. ali manj	32	32	40

[Fig. 10.1.1] (P.4)

- Ⓐ Zaščitno stikalo za uhajanje toka
- Ⓑ Lokalno stikalo ali zaščitno stikalo za ožičenje
- Ⓒ PWFY-P100VM-E-BU
- Ⓓ PWFY-P100/200VM-E1-AU
- Ⓔ Razdelilna doza

### ⚠ Previdno:

Uporabljajte samo ustrezne odklopnike in varovalke. Uporaba varovalk, kablov ali bakrenih žic s previsoko zmogljivostjo lahko povzroči nevarnost nepravilnega delovanja ali požara.

## 10.2. Povezovanje daljinskega upravljalnika, notranjih in zunanjih krmilnih kablov

(Daljinski upravljalnik je na voljo po želji.)

- Povežite enoto TB5 in zunanjo enoto TB3. (nepolarizirano 2-žilno (oklopljeno)) "S" na notranji enoti TB5 je zaščitna oklopljena žična povezava. Podrobnosti v zvezi s povezovalnimi kablji najdete v navodilih za namestitve zunanje enote.
- Daljinski upravljalnik namestite v skladu z navodili, ki so priložena daljinskemu upravljalniku.
- Povežite "1" in "2" na enoti TB15 z daljinskim upravljalnikom MA. (nepolarizirano 2-žilno)

[Fig. 10.2.1] (P.4) Daljinski upravljalnik MA

- DC 10 do 13 V med 1 in 2 (daljinski upravljalnik MA)

[Fig. 10.2.2] (P.4) Daljinski upravljalnik MA

- Daljinskega upravljalnika MA ni mogoče uporabljati hkrati ali izmenjaje.

- Ⓐ Nepolarizirano
- Ⓑ TB15 (Kabli daljinskega upravljalnika MA)
- Ⓒ Daljinski upravljalnik MA
- Ⓓ TB5 (Krmilni kabli)
- Ⓔ TB2 (Napeljava električnega napajanja)

### Opomba:

Zagotovite, da med nameščanjem okrova ne preščipnete žic. Preščipnjenje žice lahko žico prereže.

### ⚠ Previdno:

- Uporabite žico z dodatno izolacijo.
- Dovod do TB142A, TB142B in TB142C ne sme biti pod napetostjo.
- Kabli opreme, povezane na zunanji dovod/odvod morajo biti dodatno izolirani.
- Uporabite enojni večžilni kabel za zunanji dovod/odvod, da omogočite povezavo z vijakom PG.

### ⚠ Previdno:

Električno napajanje izvedite tako, da žice ne bodo napete. Drugače lahko pride do prekinitev stika, pregrevanja ali požara.

## 10.3. Delovanje zunanjega dovoda/odvoda

Nastavljena temperatura dovoda (zunanji analogni input: 4 mA-20 mA)

Zunanji input je input na tiskano vezne prek CN421, CN422. (Fig. 10.3.1)

Uporabite dobavljen konektor.

Če temperature ne nastavite prek daljinskega upravljalnika MA, se temperatura spreminja s tokom.

Preberite navodila za uporabo, dobavljena z daljinskim upravljalnikom MA, za nastavitve.

4 mA → 10 °C      20 mA → 70 °C

### Opomba:

Uporabite 4-20 mA signalno izhodno napravo z zaščito.

### Zunanji izhodni terminal

Zunanji izhodni terminal (glejte Fig. 10.3.2) ni učinkovit, če je tokokrog odprt.

Poglejte tabelo 10.3.2 za informacije glede vsakega kontakta.

Prúd a napätie v obvode, ktoré budete pripájať ku koncovke externého výstupu (TB141A OUT 1) musí vyhovovať nasledujúcim podmienkam.

Menovitá napätie na kontakte	Menovitý prúd na kontakte
AC250V	1 A alebo menej
AC125V	3 A alebo menej
DC30V	3 A alebo menej

Tabela 10.3.2

OUT1	Delovanie VKLJUČENO/IZKLJUČENO
OUT2	Odmrzni
OUT3	Kompresor
OUT4	Signal za napako

### Zunanji vhodni terminal

Dolžina žice mora biti manj kot 100 m.

Zunanji vhodni terminal (glejte Fig. 10.3.3) ni učinkovit, če je tokokrog odprt.

Poglejte tabele 10.3.3 do 10.3.5 za informacije glede vsakega kontakta.

Če je v tokokrogu kratki stik, ne deluje edino funkcija "zapora črpalke".

Povežite relejni tokokrog na zunanji izhodni terminal, kot prikazuje Fig. 7.4.1.

Specifikacije relejnega tokokroga, ki ga treba povezati, morajo izpolnjevati naslednje pogoje.

Nominalna napetost kontakta  $\geq$  DC15V

Nominalni tok kontakta  $\geq$  0,1A

Minimalna obremenitev  $\leq$  1mA na DC

## 11. Informacije na tipski ploščici

### ⚠ Opozorilo:

Ne uporabljajte drugega hladilnega sredstva razen tistega, ki je navedeno v priloženih priročnikih in na ploščici s tehničnimi karakteristikami.

- Če tega ne upoštevate, lahko pride do pokanja naprave ali cevi, lahko pa tudi do eksplozije ali požara med uporabo, popraviлом ali odstranjevanjem naprave.

- Takšno ravnanje je lahko tudi v nasprotju z veljavno zakonodajo.

- Družba MITSUBISHI ELECTRIC CORPORATION ne odgovarja za napake v delovanju ali nezgode, ki so posledica uporabe napačne vrste hladilnega sredstva.

Model	PWFY-P100VM-E-BU	PWFY-P100VM-E1-AU	PWFY-P200VM-E1-AU
Hladilo (kg)	R134a	1,1	-
Dovoljen pritisk (MPa)	R410A	4,15	4,15
	R134a	3,60	-
	voda	1,0	1,0
Neto teža (kg)		60	35
			38

Tabela 10.3.3

<PWFY-P100VM-E-BU>

TB142A

IN1	Zapora črpalke
-----	----------------

<PWFY-P100/200VM-E1-AU>

TB142A

IN1	Stikalo pretoka
-----	-----------------

Tabela 10.3.4

TB142B

IN3	Zahtevana povezava
IN4	Delovanje VKLJUČENO/IZKLJUČENO

Tabela 10.3.5

TB142C

COM+	Običajna
IN5*1	Vroča voda/gretje
IN6*2	Gretje ECO
IN7*3	Proti zmrzovanju

\*1 PWFY-P100VM-E-BU Vroča voda

PWFY-P100/200VM-E1-AU Gretje

\*2 učinkovito, ko je SW 4-3 nastavljeno na VKLJUČENO.

\*3 učinkovito, ko je SW 4-4 nastavljeno na VKLJUČENO.

\*4 Pri nastavljanju režimu ECO ohrev alebo nemrznuceho režimu zresetujte prívod elektrickej energie do všetkých jednotiek (vonkajšie / vnútorné jednotky).

## 10.4. Nastavljanje naslovov

(Prepričajte se, da je glavno stikalo v položaju OFF.)

[Fig. 10.4.1] (P.4)

<Naslovna ploščica>

• Na voljo sta dve vrsti nastavitve vrtljivega stikala: nastavitve naslovov od 1 do 9 in nad 10 ter nastavitve številke odcepov.

① Nastavitev naslovov

Primer: Če je naslov "3", pustite SWU2 (za nad 10) na "0" in poravnajte SWU1 (za 1 do 9) s "3".

② Nastavitev številke odcepov SWU3 (samo serije R2)

Uskladite cevovod hladila notranje enote s številko končne povezave nadzornika BC. Na "0" naj ostane drugo kot R2.

• Vsa vrtljiva stikala so tovarniško nastavljena na "0". Ta stikala lahko uporabite za nastavitve naslovov in odcepov.

• Določitev naslovov notranjih enot se pri posameznih sistemih razlikuje. Nastavite jih v skladu s knjigo podatkov.

1. Biztonsági óvintézkedések .....	118	7.2. A szigetelés beszerelése.....	121
1.1. Telepítés és elektromos munka előtt.....	118	7.3. A víz feldolgozása és a víz minőségének ellenőrzése .....	121
1.2. Óvintézkedések olyan eszközökhöz, amelyekben R410A hűtőközeget használnak.....	119	7.4. A szivattyú rögzítése .....	122
1.3. A telepítés előtt.....	119	8. Hűtőközeg csővezetékek és lefolyócsővének specifikációja .....	123
1.4. A telepítés (átköltötetés) előtti elektromos munkák.....	119	8.1. Hűtőközeg csővezetéke, lefolyócső és betöltő nyílás .....	123
1.5. A próbaüzem megkezdése előtt.....	119	9. Hűtőközegcsövek és lefolyócsövek csatlakoztatása .....	123
2. A termékről .....	120	9.1. Hűtőközeg csővezetékezési munka .....	123
3. Előírások .....	120	9.2. Levezető csővezetékezési munka.....	123
4. A tartozékok ellenőrzése .....	120	9.3. Az elektromos csatlakozások bekötése .....	123
5. Emelési módszer .....	120	10. Elektromos huzalozás.....	124
6. Az egység beszerelése és a szervizhely .....	121	10.1. Az áramellátás bekötése .....	124
6.1. Beszerelés.....	121	10.2. A távvezérlő, a beltéri és kültéri jelátviteli kábelek bekötése.....	125
6.2. Szervizhely.....	121	10.3. Külső teljesítményfelvételre/teljesítmény kivitelezésre alkalmazható funkció .....	125
7. A vízvezeték beszerelése .....	121	10.4. Címek beállítása.....	125
7.1. Amire beszereléskor figyelni kell.....	121	11. A lemezre vonatkozó információk.....	126

## 1. Biztonsági óvintézkedések

### 1.1. Telepítés és elektromos munka előtt

- ▶ **Az egység telepítése előtt győződjön meg arról, hogy végig elolvasta-e a “Biztonsági óvintézkedések”.**
- ▶ **A “Biztonsági óvintézkedések” fontos szempontokat közölnek a biztonságra vonatkozóan. Feltétlenül kövesse az óvintézkedési utasításokat.**

#### A szövegben használt jelölések

##### ⚠ Figyelmeztetés:

Olyan óvintézkedéseket ismertet, amelyeket figyelembe kell venni a felhasználó sérülésének vagy halálának elkerülése céljából.

##### ⚠ Figyelem:

Olyan óvintézkedéseket ismertet, amelyeket figyelembe kell venni a az egység károsodásának elkerülése céljából.

#### Az ábrákban használt jelölések

- ⊘ : Olyan műveletet jelez, amelyet el kell kerülni.
- ⚠ : Olyan fontos utasításokat jelez, amelyeket követni kell.
- ⚠ : Olyan alkatrészt jelez, amelyet le kell földelni.
- ⚠ : Vigyázat! Elektromos áramütés veszély! (Ez a szimbólum a főegység címkéjén látható.) <Szín: Sárga>
- ⚠ : Őrizkedjen a forró felületektől.

##### ⚠ Figyelmeztetés:

**Gondosan olvassa el a főegységre rögzített címkéket.**

##### ⚠ Figyelmeztetés:

- A sérült tápkábel a veszélyes helyzetek elkerülése végett a gyártónak, a hivatalos szerviznek vagy képzett szakembernek ki kell cserélnie.
- A készüléket a gyártó nem csökkent fizikai, érzékelési vagy mentális képességekkel rendelkező, illetve a megfelelő tudást vagy tapasztalatot nélkülöző személyek (beleértve a gyerekeket) általi használatra szánja, kivéve, hogyha a biztonságukért felelős személy által a készülék használatára vonatkozó oktatásban vagy felügyeletben részesültek.
- Ne használjon a készülékhez mellékelt kézikönyvben vagy az adattáblán jelzett hűtőközegetől eltérő típusú hűtőközeget.
  - Ellenkező esetben a készülék vagy a csövei megrepedhetnek, amely robbanás-hoz vagy tűzhöz vezethet a készülék használata, javítása vagy ártalmatlanítása során.
  - Továbbá a helyi jogszabályokat is sértheti.
  - A MITSUBISHI ELECTRIC CORPORATION nem vonható felelősségre a nem megfelelő típusú hűtőközeg használatából származó meghibásodások vagy balesetek miatt.
- Vízvezetéknek ne használjon acélból készült csöveket.
  - Rézből készült csövek használatát javasoljuk.
- A vízkör zártkörű kell legyen.
- Kérje fel a márkakereskedőt vagy egy jogosult technikust a légkondicionáló telepítésére.
  - A felhasználó által végzett helytelen telepítés vízszivárgást, elektromos áramütést vagy tüzet okozhat.
- Az egységet olyan helyen szerelje fel, ami elbírja annak súlyát.
  - A nem megfelelő szilárdság az egység leesését okozhatja, ami sérülést eredményez.
- Ne érintse meg az egységet. Az egység felülete forró lehet.
- Ne szerelje az egységet olyan helyre, ahol gyúlékony gázok szivároghatnak.
- A bekötéshez az előírt kábeleket használja. A csatlakozásokat biztonságosan készítse el úgy, hogy külső erő ne nehezdedjen a kapcsolókra.

- Nem megfelelő csatlakoztatás és rögzítés felmelegedést hozhat létre, és ez tüzet okozhat.
- **Készítse fel az egységet esővel, nedvességgel valamint földrengéssel szembeni ellenállásra, majd pedig szerelje fel a megjelölt helyre.**
  - A nem megfelelő szilárdság az egység ledőlését okozhatja, és sérülést eredményez.
- Mindig alkalmazza a Mitsubishi Electric által javasolt szűrőket és egyéb kelleket.
  - A tartozékok telepítésére jogosított technikust kérjen fel. A felhasználó által végzett helytelen telepítés vízszivárgást, elektromos áramütést vagy tüzet okozhat.
- **Soha ne javítsa az egységet. Ha a légkondicionáló javításra szorul, tárgyaljon a márkakereskedővel.**
  - Ha az egységet helytelenül javítják az vízszivárgást, elektromos áramütést vagy tüzet eredményezhet.
- **Ne érintse meg a hűtőközeg csővezetékeit és a vízvezetékeket.**
  - A helytelen kezelés sérülést eredményezhet.
- **A termék kezelésénél mindig viseljen védőfelszerelést. Pl.:Védőkesztyűvel, a teljes kart védő felszerelést, nevezetesen bojler öltözetet és védőszemüveget.**
  - A helytelen kezelés sérülést eredményezhet.
- **Ha hűtőgáz kiszivárgott a szerelés alatt, szellőztesse ki a helyiséget.**
  - Ha a hűtőgáz lánggal kerül érintkezésbe, akkor mérges gázok szabadulnak fel.
- **A légkondicionáló felszerelését a jelen Felszerelési Kézikönyv utasításainak megfelelően végezze.**
  - Ha az egységet helytelenül telepítik az vízszivárgást, elektromos áramütést vagy tüzet eredményezhet.
- **Az elektromos munkákat végeztesse engedéllyel rendelkező villanyszerelővel az “Elektromos létesítmény szerelési szabványnak” és a “Beltéri huzalozási rendelkezéseknek” megfelelően és a jelen kézikönyvben adott utasítások szerint, és mindig használjon speciális áramkört.**
  - Ha az elektromos áramforrás terhelhetősége nem megfelelő, vagy ha az elektromos munkát helytelenül végezték, az elektromos áramütést és tüzet eredményezhet.
- **Tartsa az elektromos alkatrészeket víztől távol (mosóvíz, stb.)**
- **Biztonságosan rögzítse a fűtőtestként használt egység kapocslecs burkolatát (panel).**
  - Ha a kapocslecs burkolat (panel) nincs helyesen felszerelve, akkor por vagy víz vagy por juthat be a fűtőtestként alkalmazott egységbe, és ez tüzet vagy áramütést eredményezhet.
- **Amikor a légkondicionálót egy másik helyre szereli, vagy költözteti, ne töltsé azt fel az egységen feltüntetett hűtőközegetől (R410A) eltérő hűtőközeggel.**
  - Ha eltérő hűtőközeg vagy levegő keveredik az eredeti hűtőközeggel, akkor a hűtési ciklus hibásan működhet, és az egység károsodhat.
- **Ha a légkondicionálót egy kis helyiségben szerelik fel, akkor intézkedéseket kell tenni annak megakadályozására, hogy a hűtőközeg koncentráció túllépje a biztonsági határértéket még akkor is, ha a hűtőközeg kiszivárogná.**
  - Konzultáljon a márkakereskedővel a biztonsági határérték túllépésének megakadályozásához szükséges megfelelő intézkedésekről. Ha a hűtőközeg kiszivárog és a biztonsági határérték túllépését okozza, ez a helyiségben oxigénhiány miatt fellépő veszélyeket eredményez.
- **A légkondicionáló átköltötése és újratelepítése esetén konzultáljon a márkakereskedővel vagy egy jogosult technikussal.**
  - Ha a légkondicionálót helytelenül telepítik, az vízszivárgást, elektromos áramütést vagy tüzet eredményezhet.
- **A telepítési munka befejezése után győződjön meg arról, hogy nincs-e hűtőgáz szivárgás.**
  - Ha a hűtőgáz kiszivárog, és ventilátoros hőszugárzóval, tűzhellyel, sütővel vagy más egyéb hőforrással kerül érintkezésbe, akkor mérgező gázok kialakulhatnak.
- **Ne módosítsa, vagy változtassa meg a védőeszközök beállításait.**
  - Ha a nyomáskapcsolót, hőkapcsolót vagy más védőeszközt rövidre zárnak, kényszerítve működésbe, vagy ha a Mitsubishi Electric által előírtaktól eltérő alkatrészeket használnak, az tüzet vagy robbanást eredményezhet.
- **Ha a terméket ki szeretné dobni, tárgyaljon a márkakereskedőjével.**

- A szerelő és a rendszer szakértő, a helybeli törvényeknek vagy szabványoknak megfelelően, kell biztosítsa, hogy nem létezik szivárgás.
  - Helybeli törvények hiányának esetében, kötelező a következő szabványok betartása.
- Figyeljen különösen olyan helyekre, mit például egy pince, stb. ahol a hűtőgázok távozása lehetetlen, mert ezek a gázok nehezebbek, mint a levegő.
- A gyerekek csak felügyelet mellett tartózkodhatnak a készülék közelében, hogy ne játszanak vele.

## 1.2. Óvintézkedések olyan eszközökhöz, amelyekben R410A hűtőközeget használnak

### ⚠ Figyelmeztetés:

- Ne használjon a készülékhez mellékelt kézikönyvben vagy az adattáblán jelzett hűtőközegetől eltérő típusú hűtőközeget.
  - Ellenkező esetben a készülék vagy a csövei megrepedhetnek, amely robbanás-hoz vagy tűzhez vezethet a készülék használata, javítása vagy ártalmatlanítása során.
  - Továbbá a helyi jogszabályokat is sértheti.
  - A MITSUBISHI ELECTRIC CORPORATION nem vonható felelősségre a nem megfelelő típusú hűtőközeg használatából származó meghibásodások vagy balesetek miatt.

### ⚠ Figyeleme:

- Ne használja a meglévő hűtőközeg csővezetékét.
  - A meglévő csővezetékben lévő használt hűtőközeg és a hűtőgép olaj nagy mennyiségű klórt tartalmaz, ami az új egység hűtőgép olaj minőségének lerontását okozhatja.
  - R410A egy nagy nyomással rendelkező hűtőanyag, mely a létező csőrendszer megrepedését vagy robbanását okozhatja.
- A hűtőgép csővezetéséhez használjon a JIS H3300 "Vörösréz és vörösréz ötvözetű varrat nélküli csövek és csatornák" című szabvány előírásai szerinti C1220 (Cu-DHP) foszforosan dezoxidált vörösrézet. Ezen kívül győződjön meg arról, hogy a csövek belső és külső felületei tiszták és veszélyes kénoxidoktól, portól / piszoktól, faragási részecskéktől, olajoktól, nedvességtől vagy más szennyezőktől mentesek.
  - A hűtőközeg-csővezetés belsejében lévő szennyező anyagok a hűtőközeg maradék olajának minőségi lerontását okozhatják.
- A telepítés alatt használandó csöveket tárolja belső térben és tartsa a csövek mindkét végét lezárva egészen addig, amíg a forrasztásukra nem kerül sor. (A könyvöket és más összekötőket tárolja műanyag zacskóban.)
  - Ha por, piszok vagy víz jut be a hűtőközeg ciklusba, akkor ez az olaj minőségének leromlását, és a kompresszor meghibásodását eredményezheti.
- A küpos csővégek és a peremek bevonására használjon észterolajat, éterolajat vagy alkilbenzolt (kis mennyiségben) hűtőgép olajként.
  - Nagy mennyiségű ásványolajjal keveredve a hűtőgép olaj minősége romlik.
- A rendszer feltöltésére használjon folyékony hűtőközeget.
  - Ha gáz hűtőközeget használnak a rendszer lezárására, akkor a hengerben lévő hűtőközeg összetétele megváltozik, és a teljesítmény csökkenhet.
- Ne használjon mást, mint R410A hűtőközeget.
  - Ha más hűtőközeg (pl. R22) keveredik az R410A hűtőközeggel, akkor a hűtőközegben levő klór a hűtőolaj minőségének leromlását okozhatja.
- Használjon visszaáramlás gátló visszacsapószelepes vákuumszivattyút.
  - A vákuumszivattyú olaj visszafolyhat a hűtőközegciklusba, és a hűtőgép olaj minőségének lerontását okozhatja.
- Ne használja az alábbi olyan szerszámokat, amelyek a hagyományos hűtőközegekhez használatosak.
 

(Nyomásmérő elosztó, töltőtöltő, gázszivárgás érzékelő, visszaramú visszacsapó szelep, hűtőközeg töltőbázis vákuummérő, hűtőközeg regeneráló berendezés)

  - Ha a hagyományos hűtőközeg és a hűtőolaj keveredik az R410A-val, akkor a hűtőközeg minősége romolhat.
  - Ha víz keveredik az R410A hűtőközegbe, akkor a hűtőgép olaj minősége leromolhat.
  - Mivel az R410A nem tartalmaz klórt, a hagyományos hűtőközegekhez használt gázos szivárgásérzékelők nem reagálnak ezekre.
- Ne használjon töltőhengert.
  - A töltőhenger használata leronthatja a hűtőközeget.
- Legyen különösen óvatos a szerszámok kezelésénél.
  - Ha por, piszok vagy víz jut a hűtőközegciklusban, akkor a hűtőközeg minősége leromolhat.

## 1.3. A telepítés előtt

### ⚠ Figyeleme:

- Ne telepítse az egységet olyan helyen, ahol gyúlékony gázok szivároghatnak.
  - Ha ilyen gáz kiszivárog, és felgyülemlik az egység körül, az robbanást eredményezhet.
- Ne használja a légkondicionálót olyan helyeken, ahol élelmiszert, háziállatokat, növényeket, precíziós műszereket vagy művészeti alkotásokat tart.
  - Az élelmiszer stb. minősége leromolhat.
- Ne használja a légkondicionálót speciális környezetekben.
  - Olaj, gőz, kénese füst stb. jelentősen csökkentheti a légkondicionáló teljesítményét, vagy károsíthatja annak alkatrészeit.
- Az egységnek kórházban, hírközlő állomáson, stb. való felszerelése esetén kellő zaj elleni védelmet kell biztosítani.

- Az áramátalakító berendezés, házi áramfejlesztő nagyfrekvenciás orvosi berendezés vagy rádiókommunikációs berendezés a légkondicionáló hibás működését vagy a működésének megszűnését okozhatja. Másrészt a légkondicionáló befolyásolhatja az ilyen berendezéseket azáltal, hogy zajt kelt, ami zavarja az orvosi kezelést vagy a képsugárzást.
- Ne szerelje fel az egységet olyan szerkezetre, ami szivárgást okozhat.
  - Amikor a helyiség páratartalma nagyobb, mint 80 % vagy az elvezető cső eltömődik, akkor kondenzvíz csepeghet a beltéri egységből. Ha szükséges, végezzen közös elvezetési munkát az egységgel.

## 1.4. A telepítés (átköltöztetés) előtti elektromos munkák

### ⚠ Figyeleme:

- Földelje le az egységet.
  - Ne csatlakoztassa a földelő vezetékét gáz vagy víz csövekhez, villámhárító rudakhoz vagy telefon földelő vezetékéhez. A helytelen földelés áramütést eredményezhet.
- A tápkábelt úgy szerelje fel, hogy ne legyen megfeszítve.
  - A kábel feszülése a kábel megtörését okozhatja, ami hőt fejleszthet, és tüzet okozhat.
- Szereljen fel egy hibaáram megszakítót, amint szükséges.
  - Ha nincs hibaáram megszakító felszerelve, az áramütést eredményezhet.
- Használjon megfelelő terhelhetőségű és szigetelési osztályú hálózati kábeleket.
  - A túl kis kábelek átvezethetnek, hőt fejleszthetnek, és tüzet okozhatnak.
- Csak előírt kapacitású megszakítót és biztosítékot használjon.
  - Nagyobb kapacitású biztosíték vagy megszakító, illetve acél vagy vörösréz vezeték az egység teljes meghibásodását vagy tűz keletkezését eredményezheti.
- Ne mossa a légkondicionáló egységeket.
  - Az egységek lemosása áramütést okozhat.
- Győződjön meg arról, hogy a szerelési alap nincs-e megsérülve a hosszú használatból.
  - Ha a sérülés kijavítás nélkül marad, az egység leeshet, és személyi sérülést vagy vagyoni kárt okozhat.
- A megfelelő elvezetés biztosítására az elvezető csővezetést a jelen Telepítési kézikönyvnek megfelelően szerelje fel. A kondenzáció megelőzésére hőszigetelést kell tekerni a csövek köré.
  - A helytelen elvezető csővezetés vízszivárgást okozhat, és a bútorok és más vagyontárgyak károsodását idézheti elő.
- Legyen nagyon óvatos a termék szállításánál.
  - Egyedül egy személy nem viheti a terméket, ha az nehezebb, mint 20 kg.
  - Egyes termékeken PPs pántok vannak felhasználva a csomagoláshoz. Ne használjon semmilyen PP pántot szállítási eszközként. Ez veszélyes lehet.
  - Az egység szállításánál a függesztést az egység alapon az előírt pontokon végezze. Ezen kívül támassza meg az egységet négy ponton, hogy ne tudjon oldalra elcsúszni.
- Gondosan semmisítse meg a csomagoló anyagokat.
  - Az olyan csomagoló anyagokat, mint a szögek és más fém vagy fa alkatrészek szúrásokat vagy más sérüléseket okozhatnak.
  - Tépje darabokra és dobja el a műanyag csomagoló zsákokat úgy, hogy azokkal gyermekek ne tudjanak játszani. Ha a gyermekek olyan műanyag zsákokkal játszanak, amelyek nem voltak szét tépve, a megfulladás kockázata merülhet fel.

## 1.5. A próbaüzem megkezdése előtt

### ⚠ Figyeleme:

- A "7130" hibakód akkor jelenik meg, ha az alábbi két feltétel mindegyike teljesül.
  - A PWFY egység Y sorozatú kültéri egységre csatlakozik.
  - A szoftververzió az alább felsoroltak egyike.
    - PWFY sorozat: korábbi verzió, mint a. 1.13
    - Y(YHM) sorozat: korábbi verzió, mint a. 12.27
    - Y(YJM) sorozat: korábbi verzió, mint a. 1.31
    - Replace Y(YJM) sorozat: korábbi verzió, mint a. 11.31
    - HP(ZUBADAN) sorozat: korábbi verzió, mint a. 22.27
    - WY sorozat: korábbi verzió, mint a. 12.29
- Kapcsolja be az áramellátást legalább 12 órával az üzemeltetés megkezdése előtt.
  - Az üzemeltetés megkezdése azonnal a hálózati feszültség bekapcsolása után a belső alkatrészek súlyos károsodását eredményezheti. Az üzemeltetési szobában tartsa a hálózati kapcsolót bekapcsolva.
- Ne érintse meg a kapcsolókat nedves ujjakkal.
  - A kapcsolónak nedves ujjakkal való érintése áramütést okozhat.
- Ne érintse a hűtőközeg csővezetéseket a működés alatt és közvetlenül a működés után.
  - A működés alatt és közvetlenül a működés után a hűtőközeg csővezetékek forrók és hidegek is lehetnek a hűtőközeg csővezetékén, a kompresszoron és a hűtőközeg ciklus más alkatrészein átáramló hűtőközeg állapotától függően. Ujjai égési sérülést vagy fagyást szenvedhetnek, ha megérinti a hűtőközeg csővezetéseket.
- Ne működtesse a légkondicionálót levett panelokkal vagy védőrácsokkal.
  - A forgó, forró vagy nagyfeszültségű alkatrészek sérüléseket okozhatnak.
- Ne kapcsolja ki a hálózati feszültséget közvetlenül a működés leállítását után.
  - A hálózati feszültség kikapcsolása előtt mindig várjon legalább öt percig. Különböző vízszivárgás és üzemzavar keletkezhet.
- Szervizeléskor ne érintse meg a kompresszor felületét.

- Ha az egység csatlakoztatva van áramforráshoz, de nem működik, akkor a kompresszornál található motorház fűtőtestműködésben van.
- **Ne érintse meg puszta kézzel a szellőző kibocsátónyílása mellett található paneleket: az egység működtetése a panelek felmelegedéséhez vezethet (még akkor is ha le van kapcsolva), az egység használat után is okozhat égéseket. Ha szükséges a panelek megérintése, használjon védőkesztyűt.**
- **Használat közben, vagy mindjárt használat után, nagy hőmérsékletű levegő távozhat az egység kibocsátónyílásán keresztül. Ne tartsa kezét a kibocsá-**

**tónyílás felett, és ne érintse meg a kibocsátónyílás mellett található paneleket.**

- **Legyen biztos, hogy a szellőző által kibocsátott levegő biztosan távozhat az egységből a kibocsátónyíláson keresztül.**
- **A beállított hőmérséklet függvényében, a vízvezetékek nagyon felmelegedhetnek. Az égések elkerülésének céljából, tekerje be a vízvezetékeket szigetelőanyaggal.**

## 2. A termékről

### ⚠ Figyelmeztetés:

- **Ne használjon a készülékhez mellékelt kézikönyvben vagy az adattáblán jelzett hűtőközegetől eltérő típusú hűtőközeget.**
  - Ellenkező esetben a készülék vagy a csövei megrepedhetnek, amely robbanáshoz vagy tűzhöz vezethet a készülék használata, javítása vagy ártalmatlanítása során.
  - Továbbá a helyi jogszabályokat is sértheti.
  - A MITSUBISHI ELECTRIC CORPORATION nem vonható felelősségre a nem megfelelő típusú hűtőközeg használatából származó meghibásodások vagy balesetek miatt.
- A berendezés R410A típusú hűtőközeget használ.

- Az R410A hűtőközeget használó csővezetékezés eltérhet a hagyományos hűtőközeget használó rendszerektől, mert az R410A hűtőközeget használó rendszerek tervezési nyomása nagyobb. További információkat az Adatkönyvben talál.
- A más típusú hűtőközeget alkalmazó rendszereknél használt egyes szerszámok és berendezések nem használhatók az R410A hűtőközeget alkalmazó rendszereknél. További információkat az Adatkönyvben talál.
- Ne használja a meglévő csővezetékezést, mert az klórt tartalmaz, ami a hagyományos hűtőgép-olajban és hűtőközegben van. A klór károsítja az új berendezésben levő hűtőgép-olajat. A meglévő csővezetékezés azért sem használható, mert az R410A hűtőközeget használó rendszerek tervezési nyomása nagyobb, mint az egyéb hűtőközeget használó rendszerek nyomása, ezért a meglévő csövek felszakadhatnak.

## 3. Előírások

### ⚠ Figyelmeztetés:

**Ne használjon a készülékhez mellékelt kézikönyvben vagy az adattáblán jelzett hűtőközegetől eltérő típusú hűtőközeget.**

- Ellenkező esetben a készülék vagy a csövei megrepedhetnek, amely robbanáshoz vagy tűzhöz vezethet a készülék használata, javítása vagy ártalmatlanítása során.
- Továbbá a helyi jogszabályokat is sértheti.
- A MITSUBISHI ELECTRIC CORPORATION nem vonható felelősségre a nem megfelelő típusú hűtőközeg használatából származó meghibásodások vagy balesetek miatt.

Modell		PWFY-P100VM-E-BU	PWFY-P100VM-E1-AU		PWFY-P200VM-E1-AU
Hangszint		44dB<A>	29dB<A>		29dB<A>
Hűtőközeg		R134a × 1,1 kg	-		-
Nettó súly		60 kg	35 kg		38 kg
Névleges nyomás	R410A MPa	4,15	4,15		4,15
	R134a MPa	3,60	-		-
	Víz MPa	1,00	1,00		1,00
Beköthető Kinti egység	Teljes kapacitás	50~100 % -a a kinti egység kapacitásának		Csak egy kültéri egységhez csatlakoztatható	50~100 % -a a kinti egység kapacitásának
	Modell/ Mennyiség	Csak R2, Replace R2 sorozat, WR2 sorozat	Y, Replace Y sorozat, HP(ZUBADAN) sorozat, WY sorozat, R2, Replace R2 sorozat, WR2 sorozat	PUMY-P-V/YHMB(-BS)	Y, Replace Y sorozat, HP(ZUBADAN) sorozat, WY sorozat, R2, Replace R2 sorozat, WR2 sorozat
Hőmérséklet intervallum Fűtés	Kinti hőmérséklet	-20~32 °CWB (59~90 °F)	-20~32 °CWB (-4~90 °F) PURY - sorozatok -20~15,5 °CWB (-4~60 °F) PUHY - sorozatok	-15~21 °CDB (5~70 °F), -15~15 °CWB (5~59 °F)	-20~32 °CWB (-4~90 °F) PURY - sorozatok -20~15,5 °CWB (-4~60 °F) PUHY - sorozatok
	Befolyó víz hőmérséklete	10~70 °C (50~158 °F)	10~40 °C (50~104 °F)	10~45 °C (50~113 °F)	10~40 °C (50~104 °F)
Hőmérséklet intervallum Hűtés	Kinti hőmérséklet	-	-5~43 °CDB (23~110 °F) PURY - sorozatok -5~43 °CDB (23~110 °F) PUHY - sorozatok	-	-5~43 °CDB (23~110 °F) PURY - sorozatok -5~43 °CDB (23~110 °F) PUHY - sorozatok
	Befolyó víz hőmérséklete	-	10~35 °C (50~95 °F)	-	10~35 °C (50~95 °F)

## 4. A tartozékok ellenőrzése

- ① Szűrő      ② Hőszigetelő anyag      ③ Csatlakozó készlet × 2      ④ Tágulási hasíték × 2 (PWFY-P200VM-E1-AU)      ⑤ Vezeték      ⑥ Áramláskapcsoló (PWFY-P100/P200VM-E1-AU)

## 5. Emelési módszer

### ⚠ Figyelem:

**A termék szállításakor legyen nagyon elővigyázatos.**

- Tilos a termék szállítása egyetlen egy személy által, ha a termék súlya több mint 20 kg.
- A PP szalagokat egyes termékek csomagolására használják. A PP szalagok használata veszélyes, ha a szalagokat szállítási célból használja.
- Szakítsa fel a műanyag csomagolást, és gyerekektől tartsa távol. Ellenkező esetben a műanyag csomagolás a gyerekek fulladásához vezethet.



## 6. Az egység beszerelése és a szervizhely

### 6.1. Beszerelés

- Az alábbi rögzítési lyukak alkalmazásával, rögzítse az egységet az alaphoz.

[Fig. 6.1.1] (P.2)

- Ⓐ 4-ø14 (rögzítési lyuk)    Ⓑ (A felső rész)

#### Alapok

- Vigyázzon, hogy az egységet olyan helyre szerelje fel, ami elbírja annak súlyát. Ha az alap nem stabil, erősítse meg betonnal.
- Rögzítse az egységet sima felülethez. Felszerelés után használjon szintezőműszert.
- Ha az egység egy zajos szobában van beszerelve, akkor csatlakoztasson egy rezgéstompító állványt az egység alapjához.

#### ⚠ Figyelmeztetés:

- Vigyázzon, hogy az egységet olyan helyre szerelje fel, ami elbírja annak súlyát. Az elbíróképesség hiánya miatt az egység leeshet és ez sérüléshez vezethet.
- Az egységet úgy kell felszerelni, hogy földrezgés esetén is védve legyen. A hibás felszerelés miatt az egység leeshet, és ez sérüléshez vezethet.

## 7. A vízvezeték beszerelése

- Ha sok ideig nem használja a gépet, távolítsa el a vizet a csövekből és hagyja a csöveket jól megszáradni.
- Használjon zárt vízkört.
- Amikor a berendezés hűtőmódban van, adjon sós oldatot a keringetett vízhez a fagyás megelőzése érdekében.
- Sós oldat használatakor az DipSW 1-10 BE állásba kell kapcsolni.
- Ha az egység egy alacsony hőmérsékletű helyiségben van felszerelve, biztosítsa a víz állandó körforgását. Ha ez nem lehetséges, távolítsa el teljesen a vizet a csövekből vagy töltsen meg a csöveket sós oldattal.
- Az egységben használt vizet ne használja főzésre, vagy mint ivóvizet.
- Vízvezetéknek ne használjon acélból készült csöveket.

Modell	Vízbevitelre alkalmazott nyílás	Vízeltávolításra alkalmazott nyílás
PWFY-P100VM-E-BU	PT 3/4 csavar	PT 3/4 csavar
PWFY-P100VM-E1-AU	PT 3/4 csavar	PT 3/4 csavar
PWFY-P200VM-E1-AU *1 Amikor a tágulási hasítékok fel vannak szerelve.	PT 1 csavar*1	PT 1 csavar*1

### 7.1. Amire beszereléskor figyelni kell

- Alkalmazza az átkapcsolható visszaállítás eljárást, a cső megfelelő ellenállás-képességének biztosítása céljából.
- Az egység könnyű karbantartásának, ellenőrzésének és kicserélésének biztosítása céljából, használjon a vízszívó és vízellátó nyílás esetében megfelelő toldalékcsövet, szelepet stb. Továbbá ne felejtse el beszerelni egy szűrőt a vízszívó csőbe. (Az egység működtetésének céljából, szükséges egy szűrő beszerelése a keringővizet beengedő nyíláshoz.)
- A vízvezetékre szereljen egy megfelelő fűvószelepet. A víznek a csőbe való vezetése után, biztosítsa a főlegesen levegő eltávolítását.
- Az egység alacsony hőmérsékletű részében kondenzált víz keletkezhet. A víz eltávolításának céljából alkalmazzon egy lefolyóvezeték, melyet csatlakoztasson az egység alapjához.
- Szereljen a szivattyúra egy szelepet, mely megakadályozza a víz folyását, és egy rugalmas kapcsolást a rezgések elkerülésének céljából.
- A csövek védelmének céljából használjon bélest azokon a helyeken, ahol a csövek a falba hatolnak.
- A csövek rögzítésének céljából használjon vasalatokat, melyek maximálisan védjék a csöveket törés és elhajlás ellen.
- Ne tévessze össze a vizet beengedő ill. eltávolító szelepeket.
- Ez az egység nem rendelkezik fűtő felszereléssel, mely megakadályozhatná a csövek befagyását. Amikor a vízfolyás meg van állítva, távolítsa el a vizet a csövekből.
- A nem használt eltávolító csöveket le kell zárni és a hűtőközeg csövezetéseit és vízvezeték nyílásait, valamint a táplálóvezetéseket és szállítóvezetéseket be kell fedni kötő- vagy hasonló anyagokkal, hogy védve legyenek víz ellen.
- Szerelje be a szűrőt 45° vagy kisebb fokú szögben, amint azt az ábra is mutatja [Fig.7.1.2].
- A vízszivárgás megelőzésének céljából, tekerjen tömítőszalagot a csavarokkal csatlakoztatott részek köré.
- A tömítőszalagot a következőképpen tekerje fel.
  - A tömítőszalagot a menetek lefutása irányában tekerje fel (az óramutató járásával egyező irányban), és ügyeljen rá, hogy a szalag ne lógjon a csavar végén túl.
  - Minden tekericsmenetnél kétharmad-háromnegyed szélességnyi átfedést kell hagyni. Nyomkodja meg ujjal a szalagot, hogy jól rálapuljon a menetekre.
  - Ne pólyálja be végig! A csővégtől távolabbi utolsó 1,5–2 menet maradjon szabadon.

### 6.2. Szervizhely

- Kérem, biztosítsa felszerelés után a következő szervizhelyeket. (A szervizelés elvégezhető az egység frontális oldaláról is)

[Fig. 6.2.1] (P.2)

Modell	a	b	c
PWFY-P100VM-E-BU	400	300	600
PWFY-P100VM-E1-AU	400	300	600
PWFY-P200VM-E1-AU	400	300	600

- Ⓐ Csőhely (jobb oldal)    Ⓑ A felső rész  
Ⓒ Szervizhely (frontális oldal)

- Szerelje be a szűrőt a vízbevitelre alkalmazott nyíláshoz.
- A csövek vagy szűrő beszereléskor, csavarok segítségével rögzítse a csöveket az egység oldalához. Szorítsa meg a csavarokat egy 50 N·m értékű torziósfejtővel.
- A beállított hőmérséklet függvényében, a vízvezetékek nagyon felmelegedhetnek. Az égések elkerülésének céljából, vonja be a vízvezetéseket szigetelőanyaggal.
- A PWFY-P200VM-E1-AU modell esetében, a szűrő beszerelése után szerelje fel a tágulási hasítékokat (kellék) a bevezető- ill. kivezetőnyílásokhoz.

**Példa arra, hogy hogyan kell felszerelni egy egységet (vízvezeték használva)**

[Fig. 7.1.1] (P.2)

- Ⓐ Zárszelep    Ⓑ Vízbefvitelre alkalmazott nyílás  
Ⓒ Vízeltávolításra alkalmazott nyílás    Ⓓ Hűtőközeg csövezeték  
Ⓔ Y típusú szűrő    Ⓕ Lefolyócső  
Ⓖ Tágulási hasíték

### 7.2. A szigetelés beszerelése

A vízvezeték felületi hőmérsékletének szintje függ a beállított hőmérséklettől. Égések elkerülésének céljából szigetelje a csöveket. A PWFY-P100/P200VM-E1-AU egység hideg vízzel való használatának esetében, szigetelje a csöveket a kondenzáció elkerülésének céljából.

A vízvezetéseket borítsa be szigetelőanyaggal [Fig. 7.2.1].

- Bármilyen fűtőtest felszerelése csövekkel.
- Csővek beszerelése zárt térségben olyan helyeken, ahol hideg van és ahol a csövek befagyása problémát jelentene.
- A kintől érkező levegő a csöveken lecsapódik.
- Bármilyen lefolyócső

[Fig. 7.2.1] (P.2)

- Ⓐ Hőszigetelő anyag (kellék)  
Ⓑ Fecskendezze be tömörítő anyaggal.

### 7.3. A víz feldolgozása és a víz minőségének ellenőrzése

A vízminőség megőrzésének céljából, alkalmazza az egység esetében a zárt típusú vízkeringetőt. Ha a keringő víz minősége gyenge, a hőcserélő eszközben üledék rakódhat le, mely csökkenti a szerkezet teljesítőképességét, és rozsdaképződéshez vezethet. A vízkeringő rendszer beszereléskor figyeljen a víz feldolgozására és minőségére.

- Távolítsa el a csövekből az idegen tárgyakat és egyéb maradványokat. Szereléskor vigyázzon, hogy idegen tárgyak, mint például hegesztési maradványok, szigetelőszecskék vagy rozsdák ne kerüljenek a csövekbe.
- A víz minőségi feldolgozása

- ① A víz, minőségének függvényében, a hőcserélő gép rézből készült csőrendszer megrögzésesodhat. Javasoljuk a víz minőségének rendszeres ellenőrzését.

A rozsdásodás veszélyt jelent azon keringőrendszerek számára is, amelyekben víz kering, és amelyek esetében nyílt hő tározómedencék vannak alkalmazva.

A nyílt típusú tározómedencék alkalmazásakor, szereljen be egy víz-víz hőcserélő szerkezetet és a légkondicionáló oldalon, használjon egy zárt hurok vezetéket. Ha a gép fel van szerelve egy vízszolgáltató medencével, tartsa a levegővel való kapcsolatot a minimális szinten és vigyázzon, hogy a vízben feloldott oxigénszint ne haladja meg az 1 mg/l.

② A víz minőségére vonatkozó szabványok

Darabok		Csökkentse a középhőmérsékletű vízzel működő rendszert Víz hőmérséklet $\leq 60\text{ }^\circ\text{C}$		Növelje a középhőmérsékletű vízzel működő rendszert Víz hőmérséklet $> 60\text{ }^\circ\text{C}$		Hajlam	
		Visszaáramló víz	Pótvíz	Visszaáramló víz	Pótvíz	Korrodáló	Kóképződés
Szabványok által meghatározott darabok	pH (25 °C)	7,0 ~ 8,0	7,0 ~ 8,0	7,0 ~ 8,0	7,0 ~ 8,0	○	○
	Villamos vezetőképesség (mS/m) (25 °C) ( $\mu\text{S/cm}$ ) (25 °C)	30 vagy kevesebb [300 vagy kevesebb]	30 vagy kevesebb [300 vagy kevesebb]	30 vagy kevesebb [300 vagy kevesebb]	30 vagy kevesebb [300 vagy kevesebb]	○	○
	Klorid ion (mg Cl/l)	50 vagy kevesebb	50 vagy kevesebb	30 vagy kevesebb	30 vagy kevesebb	○	
	Szulfát ion (mg SO <sub>4</sub> <sup>2-</sup> /l)	50 vagy kevesebb	50 vagy kevesebb	30 vagy kevesebb	30 vagy kevesebb	○	
	Sav használat (pH4,8) (mg CaCO <sub>3</sub> /l)	50 vagy kevesebb	50 vagy kevesebb	50 vagy kevesebb	50 vagy kevesebb		○
	Teljes keménység (mg CaCO <sub>3</sub> /l)	70 vagy kevesebb	70 vagy kevesebb	70 vagy kevesebb	70 vagy kevesebb		○
	Kalcium keménység (mg CaCO <sub>3</sub> /l)	50 vagy kevesebb	50 vagy kevesebb	50 vagy kevesebb	50 vagy kevesebb		○
Vonatkoztatási darabok	Ion töltésű szilikát (mg SiO <sub>2</sub> /l)	30 vagy kevesebb	30 vagy kevesebb	30 vagy kevesebb	30 vagy kevesebb		○
	Vas (mg Fe/l)	1,0 vagy kevesebb	0,3 vagy kevesebb	1,0 vagy kevesebb	0,3 vagy kevesebb	○	○
	Réz (mg Cu/l)	1,0 vagy kevesebb	1,0 vagy kevesebb	1,0 vagy kevesebb	1,0 vagy kevesebb	○	
	Kén ion (mg S <sup>2-</sup> /l)	nem érzékelhető	nem érzékelhető	nem érzékelhető	nem érzékelhető	○	
	Ammónia ion (mg NH <sub>4</sub> <sup>+</sup> /l)	0,3 vagy kevesebb	0,1 vagy kevesebb	0,1 vagy kevesebb	0,1 vagy kevesebb	○	
	Klór maradék (mg Cl/l)	0,25 vagy kevesebb	0,3 vagy kevesebb	0,1 vagy kevesebb	0,3 vagy kevesebb	○	
	Szabad széndioxid (mg CO <sub>2</sub> /l)	0,4 vagy kevesebb	4,0 vagy kevesebb	0,4 vagy kevesebb	4,0 vagy kevesebb	○	
A Ryznar stabilitás index	-	-	-	-	○	○	

Referencia : Szabvány a hűtésre és a légkondicionáló gépekben használt víz minőségét illetően (JRA GL02E-1994)

- ③ Mielőtt használná a rozsdamentes szert a víz kezelésének céljából, kérjük keressen fel egy szakembert, aki rendelkezik a megfelelő ismeretekkel ahhoz, hogy elvégezze a víz minőségének ellenőrzését és megállapítását.
- ④ Mielőtt kicserélné egy már felszerelt légkondicionáló gépet (még abban az esetben is, ha csak a hőcserélő szerkezet lesz helyettesítve), ellenőrizze a víz minőségét és ellenőrizze, ha a gép bármelyik alkatrésze rozsdás.  
A hideg vizet tartalmazó rendszerekben a rozsdás akkor is jelentkezhet, ha nem mutatkoztak korábbi rozsdásodási jelek.  
Ha a víz minőségének szintje csökken, hozza ezt helyre, mielőtt kicserélné az egységet.

## 7.4. A szivattyú rögzítése

A szivattyú reteszelő áramkörének elkészülte előtt végzett tesztfuttatáshoz zárja rövidre a TB142A (IN1) kapcsolócsatlakozást, és indítsa el a tesztet.  
Ha nem kering víz a csövekben, az egység meghibásodhat.

<PWFY-P100VM-E-BU>

Ellenőrizze, ha az egységet működtető és a vízkörben található szivattyú rögzített. A TB142A (IN1) rögzítésének céljából, használja az egységen található kapcsolócsatlakozást.

[Fig. 7.4.1] (P.2)

<PWFY-P100/200VM-E1-AU>

<A szivattyú rögzítése>

A PWFY-P100/P200VM-E1-AU rendszerekben a keringtetett víz megfagyhat, ami a berendezés meghibásodását okozhatja. A víz megfagyásának megelőzése érdekében végezze el a [Fig. 7.4.2] látható villamos kapcsolást.

<Áramláskapcsoló>

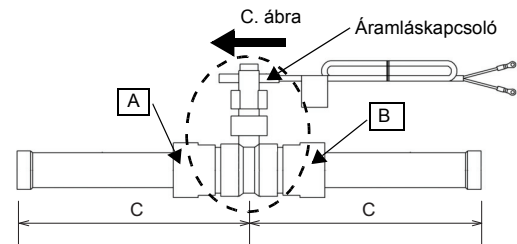
A készülék telepítésekor ügyeljen arra, hogy a mellékelt áramláskapcsolót a készülék vízkirámoltató oldalára szerelje, és csatlakoztassa a vezetékét a készülék TB142A elemének IN1 részéhez.

Ha az áramláskapcsoló nincs telepítve, a készülék hibát jelez (2100: Interlock error) és nem működik.

\* Tartozék rövidzárlat vezeték is található a csomagban, kizárólag próbaüzem céljára.

<Telepítési eljárás>

- Válassza le az áramláskapcsolóhoz csatlakozó csöveket.  
Megjegyzés: A készülék lazán csatlakoztatott csövekkel kerül forgalomba.
- A csövek végén található menetek köré tekerjen szigetelőszalagot a 1,5. vagy 2. menettől kezdve és ügyelve arra, hogy a nyílásokat ne zárja el. A menetek irányába haladva kétszer vagy háromszor tekerje körbe a csövet (az óra járásával azonos irányba). A szigetelőszalag minden egyes fordulótánál a szalagnak az előző szalagsáv szélességének 2/3 - 3/4-ét le kell fednie. Az ujjával simítsa le a szalagot, hogy az alaposan a menetekre tapadjon. Ezután, csatlakoztassa a csöveket az áramláskapcsolóhoz az A. és a B. alkatrészeket csavarkulcs segítségével rögzítve. A maximális forgónyomaték 60 N·m (611 kgf·cm).
- Az áramláskapcsolót és a csöveket vízszintes pozícióban csatlakoztassa a vízkirámoltató végéhez.  
A csőtengely szögének kevesebb, mint 45 foknak kell lennie.  
Az áramláskapcsoló irányát a C. ábra szerint ellenőrizze.
- Csatlakoztassa az áramláskapcsoló vezetékét a TB142A IN1 részéhez.



	C
PWFY-P100VM-E1-AU	175 mm
PWFY-P200VM-E1-AU	205 mm

Állítsa be a DipSW az alábbi táblázat szerint.

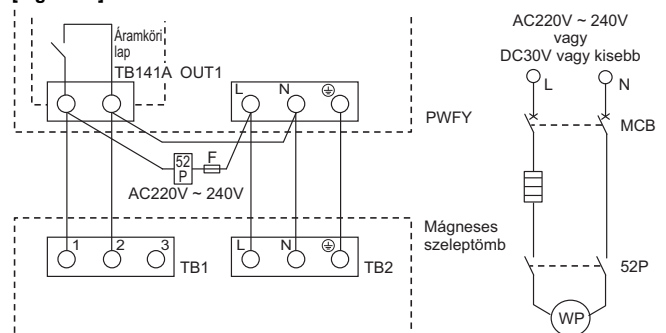
DipSW3-6	Külső kimenet érintkező
ON	Thermo-BE állásban működik
OFF	Működés-BE (Távvezérlő-BE) állásban működik

Ellenőrizze, hogy a szivattyú tápfeszültsége be van kapcsolva, mivel a vezérlés nem működik, ha a szivattyú tápellátása ki van kapcsolva.

<PAC-SV01PW-E>

A vezetékét a [Fig. 7.4.3] ábrán látható módon csatlakoztassa, amikor a szivattyút más egységekhez kapcsolja ÉS mágneses szeleptömböt (PAC-SV01PW-E) csatlakoztat Y-sorozatú, HP(ZUBADAN)-sorozatú kültéri egységeket tartalmazó rendszerhez, beltéri egységekhez és PWFY-P100/P200VM-E1-AU rendszerhez.  
A Dip 3-6 kapcsolót állítsa ON (BE) értékre. Győződjön meg, hogy a szoftververzió 1.18 vagy újabb.

[Fig. 7.4.3]



F: Biztosíték  
52P: Mágneskapcsoló hőforrásos vízszivattyúhoz

MCB: Áramkört megszakító  
WP: Vízszivattyú

## 8. Hűtőközeg csővezetékek és lefolyócsövének specifikációja

A harmatcseppek elkerülésére biztosítson elegendő lecsapódásgátló és szigetelési munkát a hűtőközeg és lefolyó csövekhez.

Kereskedelmileg kapható hűtőközegcsövek használata esetén tekerjen kereskedelmileg kapható (100 °C-nál nagyobb hőmérsékletnek ellenálló és az alább közölt vastagságú) szigetelőanyagot mind a folyadék-, mind a gázcsövekre.

① Válassza ki a szigetelőanyag vastagságát a cső mérete szerint.

Modell	PWFY-P100VM-E-BU	PWFY-P100VM-E-AU	PWFY-P200VM-E1-AU
Gáz	ø15,88	ø15,88	ø19,05
Folyadék	ø9,52	ø9,52	ø9,52
Levezetés		ø32	
Szigetelőanyag vastagsága	Több mint 10 mm		

② Ha az egység az épület magasabb emeletén, valamint magasabb hőmérsékleti és páratartalom körülmények között kerül alkalmazásra, akkor a fenti táblázatban közöltéknél nagyobb csőméretet és anyagvastagságot kell használni.

Arról is gondoskodni kell, hogy kereskedelmileg kapható (0,03 fajsúlyú és az alább közölt vastagságú) szigetelőanyag tekerelve legyen a szobákon áthaladó valamennyi csővezetékre.

③ Ha vannak megrendelői előírások, akkor egyszerűen azokat kell követni.

### 8.1. Hűtőközeg csővezeték, lefolyócső és betöltő nyílás

[Fig. 8.1.1] (P.3)

- Ⓐ Hűtőközeg csővezetése (gáz)
- Ⓑ Hűtőközeg csővezetése (folyadék)
- Ⓒ Vízvezetelre alkalmazott nyílás
- Ⓓ Vízeltávolításra alkalmazott nyílás
- Ⓔ Leeresztő csőcsomók
- \*1: PWFY-P100/200VM-E1-AU

## 9. Hűtőközegcsövek és lefolyócsövek csatlakoztatása

### 9.1. Hűtőközeg csővezetékezési munka

Ezt a csővezetési munkát a telepítési utasításoknak megfelelően kell elvégezni mind a kültéri egységhez, mind a BC vezérlőhöz (egyidejűleg hűtő és fűtő R2 sorozat).

- Az R2 sorozat egységeit olyan rendszerben való működésre tervezték, amelyben a kültéri egységből érkező hűtőközegcsövet BC vezérlő fogadja, és a BC vezérlőnél elágazik a beltéri egységek közötti csatlakoztatásra.
- A cső hosszára és a megengedhető magassági különbségekre vonatkozó információ a kültéri egység kézikönyvében található.
- A csőcsatlakoztatás módja keményforrasztott bekötés.

#### ⚠ Figyelem:

- **A hűtőközeg csővezetékek bekötését a beltéri egységhez az alábbiak szerint kell végezni:**

1. Vágja le a beltéri egység csővezetékek végét, engedje ki a gázt, és azután távolítsa el a keményforrasztott sapkát.

[Fig. 9.1.1] (P.3)

- Ⓐ Itt vágja el
- Ⓑ Távolítsa el a keményforrasztott sapkát

2. Húzza ki a helyszíni hűtőközeg-csővezetéken lévő hőszigetelést, forrassa be az egység csővezetékét, és helyezze vissza a szigetelést az eredeti helyzetébe. Tekerje be a csővezeték szigetelő szalaggal.

#### Megjegyzés:

- **Fordítson szigorú figyelmet a vörösréz csővezeték betekerésére, mivel a csővezeték betekerése kondenzációt okozhat ahelyett, hogy megakadályozná azt.**
- \* A hűtőközeg csővezetékek keményforrasztását megelőzően, **mindig tekerje a csővezeték a fő testhez és tekerje be a hőszigetelő csővezeték nedves ruhával, hogy elkerülje a hó csökkenését, és a hőszigetelő csővezet olvadását.** Vigyázzon, hogy a láng ne érintkezzen a fő testtel.

[Fig. 9.1.2] (P.3)

- Ⓐ Hőszigetelés
- Ⓑ Húzza ki a szigetelést
- Ⓒ Tekerje be a csövet nedves ruhával
- Ⓓ Tegye vissza az eredeti helyzetbe
- Ⓔ Biztosítsa, hogy ne legyen itt hézag
- Ⓕ Tekerje be szigetelőszalaggal

### Óvintézkedések a hűtőközeg csővezetésnél

- ▶ **Biztosítson nem-oxidálódó forrasztást a keményforrasztáshoz, hogy ne kerülhessen idegen anyag vagy nedvesség a csőbe.**
- ▶ **Használjon hűtőgépolajat a kúpos csatlakozású fészek felületére, és húzza meg a csatlakozást egy kettős csavarok használatával.**
- ▶ **Készítsen fém bilincset a hűtőközeg csővezeték megtámasztására, hogy ne jusson terhelés a beltéri egység felőli csővezetékre. Ezt a bilincset 50 cm távolságban kell elhelyezni a beltéri egység kúpos csatlakozójától.**

#### ⚠ Figyelmeztetés:

- **Ne használjon a készülékhez mellékelt kézikönyvben vagy az adattáblán jelzett hűtőközegtől eltérő típusú hűtőközeget.**
  - Ellenkező esetben a készülék vagy a csövei megrepedhetnek, amely robbanás-hoz vagy tűzhez vezethet a készülék használata, javítása vagy ártalmatlanítása során.
  - Továbbá a helyi jogszabályokat is sértheti.
  - A MITSUBISHI ELECTRIC CORPORATION nem vonható felelősségre a nem megfelelő típusú hűtőközeg használatából származó meghibásodások vagy balesetek miatt.

- **Szereléskor és átköltöztetésekor ne töltsen fel az egységet más hűtőközeggel, mint a hozzá előírttal (R407C vagy R22).**

- Különböző hűtőközegek, levegő stb. összekeverése a hűtési ciklus hibás működését okozhatja, és súlyos károsodást eredményezhet.

#### ⚠ Figyelem:

- **A hűtőgép csővezetéséhez használjon a JIS H3300 "Vörösréz és vörösréz ötvöztetű varrat nélküli csövek és csatornák" című szabvány előírásai szerinti C1220 (Cu-DHP) foszforosan dezoxidált vörösréz. Ezen kívül győződjön meg arról, hogy a csövek belső és külső felületei tiszták és veszélyes kénoxidoktól, portól / piszoktól, faragási részecskéktől, olajtól, nedvességtől vagy más szennyező anyagoktól mentesek.**

- **Soha ne használja a meglévő hűtőközeg csővezetékét.**
  - A hagyományos hűtőközegben lévő nagymennyiségű klór és a meglévő csővezetékben lévő hűtőgépolaj a hűtőközeg minőségének leromlását okozza.
- **A telepítés alatt használandó csöveket tárolja belső térben, és tartsa a csövek mindkét végét lezárva egészen addig, amíg a forrasztásukra nem kerül sor.**
  - Ha por, piszok vagy víz jut be a hűtőközegciklusba, akkor ez az olaj minőségének leromlását és a kompresszor meghibásodását eredményezheti.

### 9.2. Levezető csővezetékezési munka

1. Biztosítani kell, hogy a lefolyó csővezeték lejtson (több mint 1/100 lejtéssel) a kültéri (űritési) oldal felé. Ne hagyjon semmi akadályt vagy rendellenességet a lefolyó útjában. (①)
2. Gondoskodjon arról, hogy bármely keresztirányú lefolyócső ne legyen hosszabb 20 m (a magasságkülönbség nélkül). Ha a lefolyócső hosszú, készítsen fémbilincseket, hogy megakadályozza annak hullámszerűségét. Soha ne alkalmazzon semmilyen légtelenítő csövet. Különben a lefolyó anyag kiömölhet.
3. A lefolyó csővezetéséhez használjon VP-25 típusú kemény (32 mm külső átmérőjű) vinilklorid csöveket.
4. Ellenőrizze, hogy a kiválasztott csövek 10 cm-rel lejjebb vannak, mint az egység kifolyónyílása, úgy amint az a ②. pontnál van feltüntetve.
5. Ne tegyen semmiféle bűzelzárót a lefolyó űritőnyílásához.
6. A lefolyó csővezeték végét olyan helyre tegye, ahol nem keletkezik szag.
7. Ne tegye a lefolyó csővezeték végét semmilyen olyan lefolyóba, ahol ionos gázok fejlődnek.

[Fig. 9.2.1] (P.3)

- Ⓐ Lejtő 1/100 vagy több
- Ⓑ Lefolyócső
- Ⓒ Egység
- Ⓓ Csőcsomópont
- Ⓔ Nagylítsa meg ezt a hosszúságot kb. 10 cm-ig.

### 9.3. Az elektromos csatlakozások bekötése

Ellenőrizze, hogy a használati utasításban és a vezérlődoboz fedelén feltüntetett modellnév azonos-e az adattáblán lévő modellnévvel.

1. lépés

Távolítsa el a kapcsoló doboz fedelét rögzítő csavarokat.

[Fig. 9.3.1] (P.3)

- Ⓐ Csavarok
- Ⓑ Frontális panel
- Ⓒ Vezérlődoboz

### Megjegyzés:

Ügyelni kell arra, hogy a huzalozás ne csipődjön be a kapcsolódoboz fedelének felhelyezésekor. A huzalozás elszakadhat, ha becsipődik.

### Figyelem:

A huzalozást úgy készítse el, hogy ne legyen szoros, és ne legyen megfeszítve.

A feszítés alatt lévő vezeték meghibásodhat, illetve túlmelegedhet és eléghet.

- Csatlakoztassa az áramforrás külső teljesítményfelvételű/kimeneti teljesítményű hálózati csatlakozását a vezérlődobozhoz tömszelence használatával, a feszítő erő ellen, az elektromos áramütés elkerülésének céljából. (PG vagy hasonló csatlakozás.) Csatlakoztassa a jelátviteli vezetékeket a kapcsoléchez a vezérlődobozon lévő kiüthető lyukon keresztül, normál tömszelence használatával.
- A bekötések befejezése után, ellenőrizze újra, hogy nincs-e laza csatlakozás, és szerelje fel a fedelet a vezérlő dobozra a levétellel fordított sorrendben.

### [Fig. 9.3.2] (P.3)

- Ⓐ Annak megakadályozására, hogy külső feszítő erő kerüljön az áramforrás kapcsolécsdobozának huzalbekötő részére, használjon tehermentesítő tömszelencés, PG vagy hasonló csatlakozást.
- Ⓑ Külső jel átvételére használt kábel.
- Ⓒ Külső jel kivételére használt kábel
- Ⓓ Az áramforrás bekötése
- Ⓔ Feszítő erő
- Ⓕ Használjon normál tömszelencét
- Ⓖ Jelátviteli kábel és MA típusú távvezérlő jelátviteli kábel

### Figyelem:

Kösse be az áramellátást úgy, hogy ne feszüljön a kábel. Különben meglazulás, fellemegeedés vagy tűz keletkezhetik.

## 10. Elektromos huzalozás

### Övintézkedések az elektromos huzalozáshoz

#### Figyelmeztetés:

Az elektromos munkát képesített villanyszerelő végezze a "Szerelési szabványok elektromos berendezésekhez" szabvány és a leszállított telepítési kézikönyvek előírásai szerint. Speciális áramköröket is kell alkalmazni. Ha a hálózati áramkör terhelhetősége nem elegendő, vagy ha a szerelés hibás, akkor ez elektromos áramütés vagy tűz kockázatát okozhatja.

- Bizonyosodjon meg arról, hogy áramot a különleges áramkörtől kap.
- Szereljen be földzárlat megszakítót az áramellátásba.
- Úgy szerelje fel az egységet, hogy a vezérlőkábelek (távvezérlő, jelvivő kábelek vagy a teljesítményfelvételű/kimeneti teljesítményű hálózati csatlakozások) egyike se kerüljön közvetlen érintkezésbe a hálózati kábellel az egységen kívül.
- Biztosítsa, hogy sehol ne legyen laza a vezetékcsatlakozás.
- Bizonyos kábeleket (hálózati, távvezérlő, jelvivő kábeleket vagy teljesítményfelvételre/kimeneti teljesítmény esetében alkalmazott csatlakozásokat) a mennyezet felett megrághatnak az egerek. Ennek megakadályozására használjon anyyi fémcsövet a kábelek behúzására, amennyi csak lehetséges.

- Soha ne csatlakoztassa a hálózati kábelt a jelvivő kábelek vezetékéhez. Különben a kábelek sérülhetnek.
- Csatlakoztassa a vezérlőkábeleket a beltéri egységhez, a távvezérlőhöz és a kültéri egységhez.
- Földelje az egységet.
- Válasszon vezérlőkábeleket a 124. oldalon közölt feltételekből.

#### Figyelem:

Győződjön meg arról, hogy az egység földelve legyen a kültéri egység oldalon. Ne csatlakoztassa a földelő kábelt semmiféle gázcsőre, vízcsőre, villámhárító rúdra vagy telefonföldelő kábelre. Tökéletlen földelés áramütés kockázatát okozhatja.

### A vezérlőkábelek típusai

#### 1. Jelátviteli kábelek bekötése

- A jelátviteli kábelek típusai
- Tervezze a huzalozást az alábbi táblázatnak <1. táblázat> megfelelően.
- Kizárólag a kiegészítő szigeteléssel ellátott tartozék kábeleket használja.

#### 1. Jelátviteli kábelek

PWFY-P100VM-E-BU

	Jelátviteli kábelek	MA típusú távvezérlő kábelek	Külső teljesítményfelvétel	Külső kimeneti teljesítmény
Kábeltípus	Védővezeték (2-eres) CVVS, CPEVS vagy MVVS	Burkolt 2 eres vezeték (árnyékolt) CVVS	Burkolt több eres vezeték (árnyékolt) CVVS vagy MVVS	Burkolt több eres vezeték (árnyékolt) CVVS vagy MVVS
Kábelátmérő	Több mint 1,25 mm <sup>2</sup>	0,3 ~ 1,25 mm <sup>2</sup> (0,75 ~ 1,25 mm <sup>2</sup> )*1	0,3 ~ 0,5 mm <sup>2</sup>	0,3 ~ 1,25 mm <sup>2</sup>
Megjegyzések	-	Maximális hosszúság: 200 m	Maximális hosszúság: 100 m	Nominális feszültség: L1-N: 220 - 240 V Hálózati terhelés: 0,6 A

PWFY-P100/200VM-E1-AU

	Jelátviteli kábelek	MA típusú távvezérlő kábelek	Külső teljesítményfelvétel	Külső kimeneti teljesítmény
Kábeltípus	Védővezeték (2-eres) CVVS, CPEVS vagy MVVS	Burkolt 2 eres vezeték (árnyékolt) CVVS	Burkolt több eres vezeték (árnyékolt) CVVS vagy MVVS	Burkolt több eres vezeték (árnyékolt) CVVS vagy MVVS
Kábelátmérő	Több mint 1,25 mm <sup>2</sup>	0,3 ~ 1,25 mm <sup>2</sup> (0,75 ~ 1,25 mm <sup>2</sup> )*1	0,3 ~ 0,5 mm <sup>2</sup>	0,3 ~ 1,25 mm <sup>2</sup>
Megjegyzések	-	Maximális hosszúság: 200 m	Maximális hosszúság: 100 m	Nominális feszültség: L1-N: 220 - 240 V Hálózati terhelés: 0,6 A

\*1 Csatlakoztassa egyszerű távvezérlővel.

CVVS, MVVS : PVC szigeteléssel és PVC burkolattal fedett vezérlőkábel

CVV, MVV : PVC szigeteléssel és PVC árnyékolással ellátott vezérlőkábel

CPEVS : PE szigeteléssel és PVC szigetelőburkolattal árnyékolt csatlakozókábel

### 10.1. Az áramellátás bekötése

- A készülékek hálózati zsinórijai ne legyenek könnyebbek a 245 IEC 57 vagy 227 IEC 57 szabvány szerinti kivitelűnél.
- A légkondicionáló telepítéséhez mindegyik póluson legalább 3 mm-es érintkező távolságú kapcsolót kell felszerelni.

## ELEKTROMOS MŰKÖDÉS

### 1. Elektromos sajátosságok

Modell	Áramforrás				Kompresszor		RLA (A)
	Hz	Feszültségek	Feszültségi intervallum	MCA (A)	Teljesítmény (kW)	SC (A)	Fűtés
PWFY-P100VM-E-BU	50/60	220-230-240 V	Maximum 264 V Minimum. 198 V	15,71	1,0	1,25	11,63-11,12-10,66

Modell	Áramforrás				RLA (A)	
	Hz	Feszültségek	Feszültségi intervallum	MCA (A)	Hűtés	Fűtés
PWFY-P100VM-E1-AU PWFY-P200VM-E1-AU	50/60	220-230-240 V	Maximum 264 V Minimum. 198 V	0,085	0,068-0,065-0,063	

### 2. Tápkábel sajátosságai

Modell	Vezeték minimális vastagsága (mm <sup>2</sup> )			Áramszivárgás megállítására használt kapcsoló	Helybeli kapcsoló (A)		Huzalozás esetében alkalmazott kapcsoló (NFB) (A)
	Fő villamos kábel	csoport	Földelés		kapacitás	biztosíték	
PWFY-P100VM-E-BU	2,5	-	2,5	30 A 30 mA 0,1 másodperc vagy kevesebb	25	25	30

Modell			Vezeték minimális vastagsága (mm <sup>2</sup> )			Áramszivárgás megállítására használt kapcsoló	Helybeli kapcsoló (A)		Huzalozás esetében alkalmazott kapcsoló (NFB) (A)
			Fő villamos kábel	csoport	Földelés		kapacitás	biztosíték	
PWFY-P100VM-E1-AU PWFY-P200VM-E1-AU	Teljes meghúzó áram	16 A vagy kevesebb	1,5	1,5	1,5	20 A 30 mA 0,1 másodperc vagy kevesebb	16	16	20
		25 A vagy kevesebb	2,5	2,5	2,5	30 A 30 mA 0,1 másodperc vagy kevesebb	25	25	30
		32 A vagy kevesebb	4,0	4,0	4,0	40 A 30 mA 0,1 másodperc vagy kevesebb	32	32	40

[Fig. 10.1.1] (P.4)

- Ⓐ Áramszivárgás esetében használt kapcsoló
- Ⓑ Helybeli kapcsoló vagy kábelmegszakító
- Ⓒ PWFY-P100VM-E-BU
- Ⓓ PWFY-P100/200VM-E1-AU
- Ⓔ Húzó doboz

## 10.2. A távvezérlő, a beltéri és kültéri jelátviteli kábelek bekötése

(Távírányítást opcionálisan igényelni lehet.)

- Kösse össze a TB5 jelű egységet és a TB3 jelű kültéri egységet. (Nem-polarizált 2-huzalos (burkolat))  
A TB5 jelű egységen lévő „S” egy árnyékolt-huzalos csatlakozás. Az összekötő kábelekre vonatkozó előírások a kültéri egység telepítési kézikönyvében található.
- A távvezérlő telepítését végezze a távvezérlővel együtt szállított kézikönyv utasításainak követésével.
- Csatlakoztassa a TB15 egységen lévő „1” és „2” pontokat egy MA távvezérlőhöz. (Nem-polarizált 2-huzalos)

[Fig. 10.2.1] (P.4) MA távvezérlő

- DC 10 – 13 V az 1 és 2 pont között (MA távvezérlő)

[Fig. 10.2.2] (P.4) MA távvezérlő

- Az MA távvezérlő nem használható párhuzamosan vagy felváltva.
  - Ⓐ Nem-polarizált
  - Ⓑ TB15 (MA távvezérlő kábelek)
  - Ⓒ MA Távvezérlő
  - Ⓓ TB5 (Jelátviteli kábelek)
  - Ⓔ TB2 (Áramellátásra alkalmazott huzalok)

### Megjegyzés:

**Bizonyosodjon meg arról, hogy a vezeték nincs becsípődve a huzalvégződési doboz tetejének felelő részénél.**

**A becsípődés elvághatja a vezetékét.**

### ⚠ Figyelem:

- Alkalmazzon utószigeteléssel ellátott huzalokat.
- A TB142A, TB142B és TB142C fele irányított jel nem szabad feszültség alatt legyen.
- Az egyéb felszerelésektől csatlakozott jelátvitelre alkalmazott kábelek utánszigeteléssel kell rendelkezzenek.
- Használjon egy külön több eres vezetékét a külső jel be- és kivitelére, a PG csavarhoz való csatlakozás végett.

### ⚠ Figyelem:

**Az áramforrást olyan módon szerelje fel, hogy a feszültség egyenletesen oszljon el. Ellenkező esetben a csatlakozás megszakadása, túlmelegedés vagy tűz lehet a következmény.**

## 10.3. Külső teljesítményfelvétel/teljesítmény kivitelezésre alkalmazható funkció

**Meghatározott hőmérséklet átvétele (külső analóg átvétel: 4mA-20mA)**

A külső átvétel a CN421- és CN422-n keresztül átvétel a kapcsolótáblára. (Fig. 10.3.1)

Használja a szolgáltatót kapcsolót.

Ha a hő beállítás nem történik az MA távvezérlővel, akkor a hőmérséklet az áramfeszültség függvényében fog változni.

Olvassa el az MA távvezérlőre vonatkozó használati utasításokat tartalmazó kézikönyvet, melyből megtudhatja, hogyan kell elvégezni a beállításokat.

4 mA → 10 °C      20 mA → 70 °C

### Megjegyzés:

Használjon egy 4-20 mA jelkibocsátó eszközt szigetelés nélkül.

### Külső kimeneteli terminál

A külső kimeneteli terminál (Fig. 10.3.2.) működésképtelen, ha a kör nyitott.

Az érintkezőkre vonatkozó információkat a 10.3.2-es táblázat tartalmazza.

A külső kimeneteli kapcsolóra (TB141A OUT1) csatlakoztatni kívánt áramkörben a feszültségnek és az áramerősségnek az alábbi feltételeknek kell megfelelni.

		Érintkező áramerőssége
Érintkező feszültségfelfelhasználhatósága	AC250V	1A vagy kevesebb
	AC125V	3A vagy kevesebb
	DC30V	3A vagy kevesebb

### ⚠ Figyeleme:

**Ne használjon a helyes kapacitású eltérő megszakítót vagy biztosítékot. Túl nagy kapacitású biztosíték, vezeték vagy vörösréz huzal használata hibás működés vagy tűz kockázatát okozhatja.**

### 10.3.2-es táblázat

OUT1	BE/KI Kapcsolás
OUT2	Kifagyasztás
OUT3	Kompresszor
OUT4	Hiba jel

### Külső beviteli terminál

A vezeték hossza nem szabad meghaladja 100 m.

A külső bemeneteli terminál (Fig. 10.3.3.) működésképtelen, amikor a kör nyitott.

Kérem hivatkozzon a 10.3.3 - 10.3.5. táblázatokra, melyek tartalmazzák az érintkezőkre vonatkozó információkat.

Amikor a kör rövidzárlat alatt van, csakis a „Szivattyúk rögzítése” funkció nem használható.

Csatlakoztasson egy relé kört a külső kimeneteli terminálhoz. (Fig. 7.4.1.)

Figyelembe kell venni a csatlakozandó relé körre vonatkozó megjegyzéseket.

Csatlakozásra alkalmazott nominális feszültség  $\geq$  DC15V

Csatlakozásra alkalmazott nominális áram  $\geq$  0,1A

Minimális terhelés  $\leq$  1mA a DC-n

### 10.3.3-as táblázat

<PWFY-P100VM-E-BU>

TB142A

IN1	A szivattyú rögzítése
-----	-----------------------

<PWFY-P100/200VM-E1-AU>

TB142A

IN1	Áramláskapcsoló
-----	-----------------

### 10.3.4-es táblázat

TB142B

IN3	Csatlakoztatás szükséges
IN4	BE/KI Kapcsolás

### 10.3.5-ös táblázat

TB142C

COM+	Általános
IN5*1	Forró víz/fűtés
IN6*2	ECO fűtés
IN7*3	Fagyálló folyadék

\*1 PWFY-P100VM-E-BU Forró víz

PWFY-P100/200VM-E1-AU Fűtés

\*2 hatékony, amikor az SW 4-3 ON-ra [BE-re] van állítva.

\*3 hatékony, amikor az SW 4-4 ON-ra [BE-re] van állítva.

\*4 ECO fűtés vagy fagymentes üzemmód beállításánál minden egység (kültéri/beltéri egységek) tápellátását állítsa vissza.

## 10.4. Címek beállítása

(Győződjön meg arról, hogy a műveletet a hálózati feszültség KI állapotában végzi.)

[Fig. 10.4.1] (P.4)

<Címtábla>

- Kétféle forgókapcsoló beállítás lehetséges: beállítási címek 1 – 9 között és a 10 feletti kapcsolót, valamint csoportszámok beállítása

#### ① A címek beállítása

Példa: Ha a cím "3", akkor hagyja az SWU2 kapcsolót (a 10 feletti kapcsolót) "0" állásban, és helyezze az SWU1 (1 – 9 közötti) kapcsolót "3" állásba.

#### ② Csoportszámok beállítása SWU3 (Csak az R2 sorozatnál)

Vesse össze a beltéri egység hűtőközeg csővezetékét a BC vezérlő csatlakozás csavarjainak számával. Az R2-n kívül a többi „0”-n marad.

- A gyárból kiszállításkor valamennyi kapcsoló "0"-ra van beállítva. Ezeket a kapcsolókat lehet használni az egységcímek és a csoportszámok beállítására, ha szükséges.
- A beltéri egység címeinek meghatározása a helyszíni rendszertől függően változik. Az adatkönyv alapján állítsa be.

## 11. A lemezre vonatkozó információk

### Figyelmeztetés:

**Ne használjon a készülékhez mellékelt kézikönyvben vagy az adattáblán jelzett hűtőközegetől eltérő típusú hűtőközeget.**

- Ellenkező esetben a készülék vagy a csövei megrepedhetnek, amely robbanáshoz vagy tűzhez vezethet a készülék használata, javítása vagy ártalmatlanítása során.
- Továbbá a helyi jogszabályokat is sértheti.
- A MITSUBISHI ELECTRIC CORPORATION nem vonható felelősségre a nem megfelelő típusú hűtőközeg használatából származó meghibásodások vagy balesetek miatt.

Modell		PWFY-P100VM-E-BU	PWFY-P100VM-E1-AU	PWFY-P200VM-E1-AU
Hűtőközeg (kg)	R134a	1,1	–	–
	R410A	4,15	4,15	4,15
Elfogadott nyomás (MPa)	R134a	3,60	–	–
	víz	1,0	1,0	1,0
Nettó súly (kg)		60	35	38

# Spis treści

1. Środki ostrożności.....	127	7.2. Instalacja izolacji .....	130
1.1. Przed instalacją i pracami elektrycznymi.....	127	7.3. Przetwarzanie wody i kontrola jakości wody .....	130
1.2. Środki ostrożności dotyczące urządzeń stosujących czynnik chłodniczy R410A.....	128	7.4. Blokada pompy.....	131
1.3. Czynności wstępne .....	128	8. Specyfikacje rury czynnika chłodniczego i rury spustowej .....	132
1.4. Czynności wstępne – prace elektryczne .....	128	8.1. Rura czynnika chłodniczego, rura spustowa i wlot napelniania .....	132
1.5. Przed rozpoczęciem biegu próbnego .....	128	9. Podłączanie rur czynnika chłodniczego i rur spustowych.....	132
2. Informacje o produkcie.....	129	9.1. Instalacja rur czynnika chłodniczego.....	132
3. Specyfikacje.....	129	9.2. Instalacja rur spustowych.....	132
4. Sprawdzenie kompletności zestawu .....	129	9.3. Podłączanie złączy elektrycznych .....	133
5. Sposób podnoszenia .....	129	10. Instalacja elektryczna.....	133
6. Instalacja urządzenia i przestrzeń serwisowa.....	129	10.1. Przewody instalacji zasilania.....	134
6.1. Instalacja .....	129	10.2. Podłączanie zdalnego sterowania oraz zew. i wew. kabli transmisyjnych.....	134
6.2. Przestrzeń serwisowa .....	130	10.3. Funkcja zewnętrznej wejścia/wyjścia .....	134
7. Instalacja rur doprowadzających wodę.....	130	10.4. Ustawianie adresów .....	135
7.1. Środki ostrożności, które należy zachować podczas instalacji.....	130	11. Informacje na płycie znamionowej.....	135

## 1. Środki ostrożności

### 1.1. Przed instalacją i pracami elektrycznymi

- ▶ Przed zainstalowaniem urządzenia należy zapoznać się ze wszystkimi „Środki ostrożności”.
- ▶ „Środki ostrożności” obejmują bardzo istotne zalecenia dotyczące bezpieczeństwa. Wszystkie te zalecenia muszą być skrupulatnie przestrzegane.

#### Symbole używane w tekście

##### ⚠ Niebezpieczeństwo:

Wskazuje środki ostrożności, których przestrzeganie pozwala zapobiec ryzyku obrażeń lub śmierci użytkownika.

##### ⚠ Ostrzeżenie:

Wskazuje środki bezpieczeństwa, których przestrzeganie pozwala zapobiec uszkodzeniu urządzenia.

#### Symbole używane na ilustracjach

- ⊘ : Wskazuje czynność, której trzeba unikać.
- ⚠ : Wskazuje ważne instrukcje, których przestrzeganie jest niezbędne.
- ⚠ : Wskazuje część, która musi zostać uziemiona.
- ⚠ : Niebezpieczeństwo porażenia elektrycznego. (ten symbol znajduje się na etykiecie głównego urządzenia.) <Kolor: żółty>
- ⚠ : Uwaga! Gorąca powierzchnia.

##### ⚠ Niebezpieczeństwo:

Należy uważnie przeczytać wszystkie etykiety naklejone na głównym urządzeniu.

##### ⚠ Niebezpieczeństwo:

- Uszkodzony przewód zasilania powinien zostać wymieniony przez jego producenta, technika serwisowego lub podobnej, odpowiednio przeszkolonej w tym celu osoby, aby uniknąć zagrożenia.
- To urządzenie nie jest przeznaczone do obsługi przez osoby (także dzieci) o ograniczonej sprawności fizycznej, sensorycznej lub umysłowej, czy też osoby nieposiadające odpowiedniego doświadczenia lub wiedzy, chyba że obsługa taka odbywa się pod nadzorem lub według wskazówek opiekuna takiej osoby.
- Nie należy stosować innego czynnika chłodniczego niż określonego w instrukcjach załączonych do urządzenia i na tabliczce znamionowej.
  - W przeciwnym razie może dojść do wybuchu urządzenia lub przewodów, czy też do eksplozji lub pożaru podczas użytkowania, naprawy lub utylizacji urządzenia.
  - Może to być także niezgodne z obowiązującymi przepisami.
  - Firma MITSUBISHI ELECTRIC CORPORATION nie odpowiada za nieprawidłowe działanie urządzenia lub wypadki spowodowane stosowaniem nieodpowiedniego typu czynnika chłodniczego.
- Nie należy używać rur stalowych jako rur do wody.
  - Zaleca się stosowanie rur miedzianych.
- Obieg wody powinien być obiegiem zamkniętym.
- Zainstalowanie klimatyzatora należy zlecić sprzedawcy lub autoryzowanemu serwisowi.
  - Nieprawidłowa instalacja przez użytkownika może spowodować wyciek, porażenie elektryczne lub pożar.
- Urządzenie należy zainstalować w miejscu, które jest w stanie wytrzymać jego ciężar.
  - Zainstalowanie klimatyzatora w niewłaściwym miejscu grozi jego upadkiem i obrażeniami.
- Nie należy dotykać urządzenia. Powierzchnia urządzenia może być gorąca.
- Urządzenia nie wolno instalować w miejscach, gdzie generowany jest gaz korozyjny.
- Zakładając instalację elektryczną, należy używać określonych kabli. Kable powinny być tak połączone, aby złącza nie były poddawane działaniu żadnej zewnętrznej siły.

- Niepoprawne połączenie i mocowanie może powodować nagrzewanie się i grozi pożarem.
- Urządzenie należy zainstalować w odpowiednim miejscu, mając na względzie możliwość wystąpienia deszczu i innych źródeł wilgoci oraz trzęsień ziemi.
  - Niewłaściwie zainstalowany klimatyzator może się przewrócić, co grozi obrażeniami.
- Należy używać wyłącznie filtra i innych akcesoriów, których użycie zaleca firma Mitsubishi Electric.
  - Zainstalowanie tych akcesoriów należy zlecić autoryzowanemu serwisowi. Nieprawidłowa instalacja przez użytkownika może spowodować wyciek, porażenie elektryczne lub pożar.
- Urządzenia nie wolno samodzielnie naprawiać. Jeśli klimatyzator wymaga naprawy, należy powiadomić o tym sprzedawcę.
  - Nieprawidłowa naprawa może spowodować wyciek, porażenie elektryczne lub pożar.
- Nie należy dotykać rur czynnika chłodniczego i rur doprowadzających wodę.
  - Niewłaściwe obchodzenie się z urządzeniem grozi obrażeniami ciała.
- Podczas wykonywania wszelkich czynności związanych z urządzeniem należy używać środków ochrony osobistej.
  - Np.: rękawice, pełny kombinezon i okulary ochronne.
  - Niewłaściwe obchodzenie się z urządzeniem grozi obrażeniami ciała.
- W przypadku wycieku gazu chłodniczego podczas prac instalacyjnych, należy przewietrzyć pomieszczenie.
  - Jeśli dojdzie do zetknięcia gazu chłodniczego z płomieniem, wydzielone zostaną trujące gazy.
- Urządzenia należy zainstalować zgodnie z niniejszym podręcznikiem instalacji.
  - Nieprawidłowa instalacja może spowodować wyciek, porażenie elektryczne lub pożar.
- Wszystkie prace elektryczne muszą być wykonywane przez wykwalifikowanego elektryka zgodnie ze „Standardami dla instalacji elektrycznych” i „Wewnętrzny regulacjami dotyczącymi obwodów” oraz instrukcjami zawartymi w niniejszym podręczniku, przy użyciu specjalnie wydzielonego obwodu.
  - Podłączenie urządzenia do źródła zasilania o niewystarczającej mocy lub niepoprawne wykonanie instalacji elektrycznej grozi porażeniem elektrycznym i pożarem.
- Należy uważać, aby części elektryczne nie stykały się z wodą (podczas mycia itp.).
  - Grozi to porażeniem prądem, wybuchem pożaru oraz wydzielaniem się dymu.
- Należy dobrze przymocować pokrywę (panel) terminala jednostki źródła ciepła.
  - Jeśli pokrywa (panel) terminala nie jest dobrze zainstalowana, do jednostki źródła ciepła może się przedostać woda lub kurz, co grozi pożarem lub porażeniem prądem.
- Podczas instalowania lub przeniesienia urządzenia w inne miejsce nie wolno go napędzać innym czynnikiem chłodniczym niż ten (R410A), który podano na urządzeniu.
  - Zmieszanie oryginalnego czynnika chłodniczego z innym czynnikiem lub powietrzem może powodować nieprawidłowości cyklu chłodniczego i uszkodzenie urządzenia.
- Jeśli klimatyzator jest zainstalowany w małym pomieszczeniu, należy podjąć kroki zapobiegające koncentracji czynnika chłodniczego powyżej limitów bezpieczeństwa nawet w przypadku jego wycieku.
  - Należy poradzić się sprzedawcy, jakie środki ostrożności należy przedsięwziąć, aby nie dopuścić do przekroczenia limitów. Wyciek czynnika chłodniczego i przekroczenie limitów bezpieczeństwa grozi niebezpieczeństwem wynikającym z braku tlenu w pomieszczeniu.
- W przypadku przeniesienia w inne miejsce i ponownego instalowania klimatyzatora, należy skorzystać z porady sprzedawcy lub autoryzowanego serwisu.
  - Nieprawidłowa instalacja może spowodować wyciek, porażenie elektryczne lub pożar.
- Po zakończeniu prac instalacyjnych należy się upewnić, że nie ma wycieku gazu chłodniczego.
  - Wyciek gazu chłodniczego i jego zetknięcie z grzejnikiem, piecem, kuchenką lub innym źródłem ciepła może powodować wydzielanie szkodliwych gazów.
- Nie wolno modyfikować konstrukcji, ani zmieniać ustawień urządzeń ochronnych.
  - Zwarcie i uruchomienie na siłę wyłącznika ciśnieniowego, termicznego lub innego urządzenia ochronnego albo wymiana na część inną niż określona przez Mitsubishi Electric, grozi pożarem lub wybuchem.
- Chcąc pozbyc się produktu nie nadającego się do dalszej eksploatacji, należy zwrócić się do sprzedawcy.

- **Osoba instalująca urządzenie i specjalista ds. systemu powinni zapewnić ochronę przed wyciekami zgodnie z lokalnymi przepisami lub normami.**
  - Jeśli lokalne przepisy nie są dostępne, zastosowanie mogą mieć następujące normy.
- **Należy zwrócić szczególną uwagę na miejsce, np. piwnicę, etc. gdzie może gromadzić się gaz chłodzący, ponieważ jest on cięższy od powietrza.**
- **Należy zawsze uważać, aby dzieci nie bawiły się urządzeniem.**

## 1.2. Środki ostrożności dotyczące urządzeń stosujących czynnik chłodniczy R410A

### ⚠ Niebezpieczeństwo:

- **Nie należy stosować innego czynnika chłodniczego niż określonego w instrukcjach załączonych do urządzenia i na tabliczce znamionowej.**
  - W przeciwnym razie może dojść do wybuchu urządzenia lub przewodów, czy też do eksplozji lub pożaru podczas użytkowania, naprawy lub utylizacji urządzenia.
  - Może to być także niezgodne z obowiązującymi przepisami.
  - Firma MITSUBISHI ELECTRIC CORPORATION nie odpowiada za nieprawidłowe działanie urządzenia lub wypadki spowodowane stosowaniem nieodpowiedniego typu czynnika chłodniczego.

### ⚠ Ostrzeżenie:

- **Do przesyłania czynnika chłodniczego nie należy używać rur pozostałych po poprzednio używanym urządzeniu.**
  - Istniejąca instalacja może zawierać stary czynnik chłodniczy i olej chłodniczy o dużej zawartości chloru, który może powodować rozkład oleju chłodniczego nowego klimatyzatora.
  - R410A jest wysokoprężnym czynnikiem chłodzącym i może powodować rozerwanie rur.
- **Instalacja powinna być wykonana z miedzi odlenionej fosforem C1220 (Cu-DHP) zgodnie z normą JIS H3300 „Rury bez szwu z miedzi i stopów miedzi”. Ponadto należy oczyścić zewnętrzne i wewnętrzne ścianki rur, usuwając z nich niebezpieczne osady siarki, tlenki, kurz i brud, wióry, smary, wilgoć i wszelkie inne zanieczyszczenia.**
  - Zanieczyszczenia na wewnętrznych ściankach instalacji doprowadzającej czynnik chłodniczy mogą powodować rozkład oleju chłodniczego.
- **Instalacja przygotowana do zamontowania klimatyzatora powinna znajdować się w pomieszczeniu zamkniętym, a oba jej końce powinny być hermetycznie zamknięte aż do momentu lutowania. (Kolanka i inne złącza należy trzymać w plastikowej torbie.)**
  - Zmieszanie czynnika chłodniczego z kurzem, brudem lub wodą może powodować rozkład oleju i awarie kompresora.
- **Jako oleju do smarowania śrubunków i kołnierzy należy użyć oleju estrowego, eterowego lub alkilobenzenu (w niewielkiej ilości).**
  - Zmieszanie oleju chłodniczego z dużą ilością oleju mineralnego powoduje jego rozkład.
- **System należy napelnić płynnym czynnikiem chłodniczym.**
  - Uszczelnienie systemu gazowym czynnikiem chłodniczym może spowodować zmianę składu czynnika chłodniczego w cylindrze i spadek wydajności.
- **Nie należy stosować innych czynników chłodniczych niż R410A.**
  - W przypadku zmieszania innego czynnika chłodniczego (R22 itp.) z czynnikiem R410A zawarty w nim chlor może doprowadzić do pogorszenia właściwości oleju w urządzeniu chłodniczym.
- **Należy używać pompy próżniowej z zaworem zwrotnym przepływu wstecznego.**
  - Smar z pompy próżniowej może przedostać się do cyklu chłodniczego i powodować rozkład oleju chłodniczego.
- **Nie należy stosować następujących elementów, które są używane w przypadku konwencjonalnych czynników chłodniczych: (Kolektor pomiarowy, wąż doprowadzający ciecz, wykrywacz nieszczelności gazu, zawór zwrotny przepływu wstecznego, baza sprężania czynnika chłodniczego, urządzenia do regeneracji czynnika chłodniczego).**
  - Domieszka konwencjonalnego czynnika chłodniczego i oleju chłodniczego może powodować rozkład czynnika chłodniczego R410A.
  - Zmieszanie wody z czynnikiem R410A może spowodować rozkład oleju chłodniczego.
  - Ponieważ czynniki R410A nie zawierają chloru, wykrywacze nieszczelności gazowych używane w przypadku konwencjonalnych środków chłodniczych nie reagują na nie.
- **Nie należy używać cylindra sprężającego.**
  - Użycie cylindra sprężającego może powodować rozkład czynnika chłodniczego.
- **Przy posługiwaniu się narzędziami należy zachować szczególną ostrożność.**
  - Przeniknięcie kurzu, brudu lub wody do cyklu chłodniczego może powodować rozkład czynnika chłodniczego.

## 1.3. Czynności wstępne

### ⚠ Ostrzeżenie:

- **Klimatyzatora nie wolno instalować w miejscach, gdzie może dojść do wycieku gazu palnego.**
  - Nagromadzenie się wyciekającego gazu wokół urządzenia grozi eksplozją.
- **Klimatyzatora nie należy używać w miejscach, w których trzyma się żywność, zwierzęta domowe, rośliny, instrumenty precyzyjne lub dzieła sztuki.**
  - Jego działanie może powodować pogorszenie jakości żywności itp.
- **Klimatyzatora nie należy używać w środowiskach specjalnych.**
  - Olej, para, opary siarki itp. mogą znacznie obniżyć skuteczność działania klimatyzatora lub powodować uszkodzenie jego części.
- **W przypadku instalowania urządzenia w szpitalu, stacji komunikacyjnej lub podobnym miejscu, należy zapewnić odpowiednią ochronę przed hałasem.**
  - Falowniki, prywatny agregat prądotwórczy, sprzęt medyczny działający na wysokiej częstotliwości lub urządzenia do radiokomunikacji mogą powodować błąd w działaniu klimatyzatora lub uniemożliwić jego funkcjonowanie. Z drugiej strony klimatyzator może ingerować w działanie tych urządzeń, wytwarzając hałas, który zakłóca leczenie lub transmisję obrazu.
- **Urządzenia nie należy instalować w warunkach, które mogą być przyczyną wycieku.**

- Jeśli wilgotność w pomieszczeniu przekracza 80 % lub rura odpływowa jest zatkana, z jednostki wewnętrznej może kapać skroplona para wodna. W razie potrzeby należy zainstalować odpowiedni system odprowadzania cieczy obejmujący jednostkę.

## 1.4. Czynności wstępne – prace elektryczne

### ⚠ Ostrzeżenie:

- **Urządzenie musi zostać uziemione.**
  - Przewodu uzimowego nie należy łączyć z rurami doprowadzającymi gaz lub wodę, prętami podziemnymi lub kablem uzimowym telefonu. Niewłaściwe uziemienie grozi porażeniem prądem.
- **Kabel zasilania należy tak zainstalować, aby nie podlegał on naprężeniom.**
  - Naprężenie może spowodować przerwanie przewodów, przegrzanie i pożar.
- **W razie potrzeby można zainstalować automatyczny wyłącznik wyciekowy.**
  - Niezainstalowanie wyłącznika wyciekowego grozi porażeniem prądem.
- **Kable linii zasilania muszą mieć odpowiednią wartość znamionową i zdolność przewodzenia prądu.**
  - Użycie kabli o zbyt niskich parametrach grozi wyciekami, wytworzeniem ciepła i wybuchem pożaru.
- **Wszystkie wyłączniki i bezpieczniki muszą mieć określone parametry.**
  - Wyłącznik lub bezpiecznik o większych parametrach albo przewód stalowy lub miedziany może spowodować ogólną awarię urządzenia lub pożar.
- **Elementów klimatyzatora nie należy myć.**
  - Mycie ich grozi porażeniem elektrycznym.
- **Należy uważać, czy podstawa montażowa nie uległa uszkodzeniu wskutek długiego użytkowania.**
  - Nieusunięte w odpowiednim czasie uszkodzenia mogą spowodować upadek klimatyzatora i obrażenia ciała lub uszkodzenie mienia.
- **Rury spustowe należy zainstalować zgodnie z zaleceniami zawartymi w niniejszym podręczniku instalacji, aby zagwarantować odpowiedni drenaż. Rury należy zaizolować termicznie, aby zapobiec skraplaniu.**
  - Nieprawidłowe zainstalowanie rur spustowych może powodować wyciek wody i uszkodzenie mebli lub innych przedmiotów.
- **Podczas transportu produktu należy zachować ostrożność.**
  - Jeśli produkt waży powyżej 20 kg, nie powinna go podnosić tylko jedna osoba.
  - W opakowaniach niektórych produktów wykorzystuje się taśmy PP. Taśm PP nie należy używać jako środka ułatwiającego przenoszenie. Jest to niebezpieczne.
  - Transportując urządzenie, należy umocować ją w określonych miejscach u podstawy urządzenia. Urządzenie należy również podeprzeć w czterech miejscach, aby nie ześlizgnęło się na bok.
- **Opakowanie należy usuwać zgodnie z zasadami BHP.**
  - Takie elementy opakowania jak gwoździe i inne części metalowe lub drewniane, mogą powodować ukłucia lub inne obrażenia.
  - Wszystkie torby plastikowe należy podrzeć i wyrzucić, aby nie bawiły się nimi dzieci. Bawiąc się niepodartą torbą plastikową, dziecko może się udusić.

## 1.5. Przed rozpoczęciem biegu próbnego

### ⚠ Ostrzeżenie:

- **Kod błędu „7130” pojawia się, jeśli zostały spełnione oba poniższe warunki.**
  - Urządzenie PWFY zostało podłączone do urządzenia zewnętrznego serii Y.
  - Wersja oprogramowania została wymieniona na poniższej liście.
    - Serii PWFY: wersja wcześniejsza Niż. 1.13
    - Serii Y(YHM): wersja wcześniejsza Niż. 12.27
    - Serii Y(YJM): wersja wcześniejsza Niż. 1.31
    - Serii Replace Y(YJM): wersja wcześniejsza Niż. 11.31
    - Serii HP(ZUBADAN): wersja wcześniejsza Niż. 22.27
    - Serii WY: wersja wcześniejsza Niż. 12.29
- **Włącz zasilanie na przynajmniej 12 godzin przed uruchomieniem urządzenia.**
  - Uruchomienie urządzenia bezpośrednio po włączeniu głównego wyłącznika zasilania może spowodować poważne uszkodzenie podzespołów wewnętrznych. Wyłącznik zasilania należy pozostawiać włączony przez cały sezon roboczy.
- **Wyłączników nie wolno dotykać wilgotnymi palcami.**
  - Dotknięcie wyłącznika wilgotnym palcem grozi porażeniem elektrycznym.
- **W trakcie pracy i bezpośrednio po jej zakończeniu nie należy dotykać rur chłodniczych.**
  - W trakcie pracy i bezpośrednio po jej zakończeniu rury chłodnicze mogą być gorące lub zimne, w zależności od stanu czynnika chłodniczego przepływającego przez rury, kompresor i inne części cyklu chłodniczego. Dotknięcie rur chłodniczych może spowodować poważne poparzenia lub odmrożenia rąk.
- **Nie należy uruchamiać klimatyzatora, dopóki zdjęte są panele i osłony.**
  - Klimatyzator posiada części wirujące, gorące lub o wysokim napięciu, które mogą powodować obrażenia.
- **Nie należy wyłączać zasilania bezpośrednio po zakończeniu pracy urządzenia.**
  - Należy odczekać przynajmniej pięć minut i dopiero wtedy wyłączyć zasilanie. Przedwczesne wyłączenie zasilania może spowodować wyciek i poważną awarię.
- **W czasie serwisu nie należy dotykać powierzchni kompresora.**
  - Jeśli urządzenie jest podłączone do zasilania i nie uruchomione, działa nagrzewnica skrzyni korbowej przy kompresorze.
- **Panele znajdujących się w pobliżu wylotu wentylatora nie należy dotykać gołymi rękoma: mogą one nagrzać się w czasie działania urządzenia (nawet jeśli jest ono zatrzymane) lub bezpośrednio po działaniu, może to grozić poparzeniem. Kiedy konieczne jest dotknięcie paneli należy zakładać rękawice ochronne.**
- **W czasie działania urządzenia lub bezpośrednio po jego zakończeniu, z wylotu wentylatora może wydostawać się gorące powietrze. Nie należy trzymać rąk nad wylotem ani dotykać paneli znajdujących się w pobliżu wylotu.**
- **Należy zapewnić odpowiednią drogę wylotu powietrza wywiewanego z wentylatora.**
- **Rury doprowadzające wodę mogą się nagrzać do bardzo wysokiej temperatury, w zależności od ustawionej temperatury. Rury należy owinać w materiał izolacyjny, aby zapobiec poparzeniom.**



## 2. Informacje o produkcie

### ⚠ Niebezpieczeństwo:

- Nie należy stosować innego czynnika chłodniczego niż określonego w instrukcjach załączonych do urządzenia i na tabliczce znamionowej.
  - W przeciwnym razie może dojść do wybuchu urządzenia lub przewodów, czy też do eksplozji lub pożaru podczas użytkowania, naprawy lub utylizacji urządzenia.
  - Może to być także niezgodne z obowiązującymi przepisami.
  - Firma MITSUBISHI ELECTRIC CORPORATION nie odpowiada za nieprawidłowe działanie urządzenia lub wypadki spowodowane stosowaniem nieodpowiedniego typu czynnika chłodniczego.
- W tym urządzeniu stosowany jest czynnik chłodniczy R410A.

- Instalacja rurowa układów zasilanych czynnikiem R410A może różnić się od instalacji ze standardowym czynnikiem chłodniczym, ponieważ ciśnienie obliczeniowe w układach z czynnikiem R410A jest wyższe. Więcej informacji zawiera podręcznik z danymi.
- Niektórych narzędzi i urządzeń używanych podczas instalacji układu z czynnikiem chłodniczym innego typu nie można używać w układach z czynnikiem R410A. Więcej informacji zawiera podręcznik z danymi.
- Nie należy wykorzystywać istniejącej instalacji rurowej, ponieważ zawiera ona chlor, występujący w standardowym oleju i czynniku chłodniczym. Chlor doprowadzi do osłabienia właściwości oleju nowego urządzenia chłodniczego. Nie należy wykorzystywać istniejącej instalacji rurowej, ponieważ ciśnienie obliczeniowe w układach z czynnikiem R410A jest wyższe niż w układach korzystających z innych czynników chłodniczych, w wyniku czego może dojść do rozerwania przewodów.

## 3. Specyfikacje

### ⚠ Niebezpieczeństwo:

Nie należy stosować innego czynnika chłodniczego niż określonego w instrukcjach załączonych do urządzenia i na tabliczce znamionowej.

- W przeciwnym razie może dojść do wybuchu urządzenia lub przewodów, czy też do eksplozji lub pożaru podczas użytkowania, naprawy lub utylizacji urządzenia.
- Może to być także niezgodne z obowiązującymi przepisami.
- Firma MITSUBISHI ELECTRIC CORPORATION nie odpowiada za nieprawidłowe działanie urządzenia lub wypadki spowodowane stosowaniem nieodpowiedniego typu czynnika chłodniczego.

Model	PWFY-P100VM-E-BU	PWFY-P100VM-E1-AU	PWFY-P200VM-E1-AU		
Poziom głośności	44dB<A>	29dB<A>	29dB<A>		
Czynnik chłodniczy	R134a × 1,1 kg	-	-		
Ciężar netto	60 kg	35 kg	38 kg		
Ciśnienie obliczeniowe	R410A MPa	4,15	4,15		
	R134a MPa	3,60	-		
	Woda MPa	1,00	1,00		
Przyłączalne Urządzenie zewnętrzne	Wydajność całkowita	50~100 % wydajności urządzenia zewnętrznego	Podłączany tylko do jednego urządzenia zewnętrznego	50~100 % wydajności urządzenia zewnętrznego	
	Model/Ilość	Tylko R2, serii Replace R2, serii WR2	Y, serii Replace Y, serii HP(ZUBADAN), serii WY, R2, serii Replace R2, serii WR2	PUMY-P-V/YHMB(-BS)	Y, serii Replace Y, serii HP(ZUBADAN), serii WY, R2, serii Replace R2, serii WR2
Zakres temperatur Ogrzewanie	Temp. zewnętrzna	-20~32 °CWB (59~90 °F)	-20~32 °CWB (-4~90 °F) PURY - serie -20~15,5 °CWB (-4~60 °F) PUHY - serie	-15~21 °CDB (5~70 °F), -15~15 °CWB (5~59 °F)	-20~32 °CWB (-4~90 °F) PURY - serie -20~15,5 °CWB (-4~60 °F) PUHY - serie
	Temp. wody dopływającej	10~70 °C (50~158 °F)	10~40 °C (50~104 °F)	10~45 °C (50~113 °F)	10~40 °C (50~104 °F)
Zakres temperatur Chłodzenie	Temp. zewnętrzna	-	-5~43 °CDB (23~110 °F) PURY - serie -5~43 °CDB (23~110 °F) PUHY - serie	-	-5~43 °CDB (23~110 °F) PURY - serie -5~43 °CDB (23~110 °F) PUHY - serie
	Temp. wody dopływającej	-	10~35 °C (50~95 °F)	-	10~35 °C (50~95 °F)

## 4. Sprawdzenie kompletności zestawu

- ① Filtr siatkowy    ② Materiał izolujący ciepło    ③ Zestawy połączeń × 2    ④ Złącze kompensacyjne × 2 (PWFY-P200VM-E1-AU)    ⑤ Przewód    ⑥ Przełącznik przepływu (PWFY-P100/P200VM-E1-AU)

## 5. Sposób podnoszenia

### ⚠ Ostrzeżenie:

Przy przenoszeniu produktu należy zachować szczególną ostrożność.

- Jeśli produkt waży powyżej 20 kg, nie powinna go przenosić tylko jedna osoba.
- Do pakowania niektórych produktów używa się taśmy PP. Nie należy używać ich jako środka ułatwiającego przenoszenie, ponieważ są one niebezpieczne.
- Wszystkie torby plastikowe należy podrzeć, aby nie bawiły się nimi dzieci. W innym przypadku torby plastikowe mogą spowodować śmierć przez uduszenie.

## 6. Instalacja urządzenia i przestrzeń serwisowa

### 6.1. Instalacja

- Korzystając z pokazanych poniżej otworów mocujących, mocno przykręć urządzenie do podstawy.

[Fig. 6.1.1] (P.2)

Ⓐ 4-ø14 (otwór mocujący)

Ⓑ (Widok z góry)

#### Podstawy

- Pamiętaj, aby urządzenie zostało zainstalowane w miejscu, które wytrzyma jego ciężar. Jeśli podstawa jest niestabilna, wzmocnij ją podstawą betonową.
- Urządzenie musi być zamocowane na wypoziomowanej powierzchni. Po zainstalowaniu sprawdź poziomnicą.

- Jeśli urządzenie jest zainstalowane w pobliżu pomieszczenia, w którym nie powinien być słyszany hałas, zaleca się zastosowanie stojaka przeciwdrganowego na podstawie urządzenia.

### ⚠ Niebezpieczeństwo:

- Pamiętaj, aby urządzenie zostało zainstalowane w miejscu, które wytrzyma jego ciężar. Niewystarczająco mocne zainstalowanie urządzenia grozi jego upadkiem i obrażeniami osób.
- Instalacja powinna skutecznie chronić urządzenie na wypadek trzęsienia ziemi. Niewłaściwie zainstalowanie urządzenia może grozić jego upadkiem i w rezultacie spowodować obrażenia osób.

## 6.2. Przestrzeń serwisowa

- Po instalacji powinno pozostać wystarczająco dużo następującej przestrzeni serwisowej.  
(Wszystkie czynności serwisowe można wykonać od przodu urządzenia)  
[Fig. 6.2.1] (P.2)

Model	a	b	c
PWFY-P100VM-E-BU	400	300	600
PWFY-P100VM-E1-AU	400	300	600
PWFY-P200VM-E1-AU	400	300	600

- Ⓐ Miejsce na instalację rurową (prawa strona)
- Ⓑ Widok z góry
- Ⓒ Przestrzeń serwisowa (strona przednia)

## 7. Instalacja rur doprowadzających wodę

- Przed długim okresem nieużywania urządzenia należy usunąć wodę z rur i pozwolić im dokładnie wyschnąć.
- Należy stosować zamknięty obieg wody.
- Gdy urządzenie jest w trybie chłodzenia, należy dodać czynnik pośredniczący do wody cyrkulacyjnej, aby zapobiec jej zamarzaniu.
- Aby użyć czynnika pośredniczącego w systemie, DipSW 1-10 musi być ustawiony na ON (WL.).
- Dla instalacji w środowisku o niskiej temperaturze otoczenia, cały czas należy utrzymywać cyrkulację wody. Jeśli nie jest to możliwe, całkowicie usuń wodę z rur lub wypełnij je czynnikiem pośredniczącym.
- Wody używanej w urządzeniu nie należy pić ani używać do produkcji żywności.
- Nie należy używać rur stalowych jako rur doprowadzających wodę.

Model	Wlot wody	Odptyw wody
PWFY-P100VM-E-BU	Śruba PT 3/4	Śruba PT 3/4
PWFY-P100VM-E1-AU	Śruba PT 3/4	Śruba PT 3/4
PWFY-P200VM-E1-AU *1 Jeśli zainstalowane są załączone złącza kompensacyjne.	Śruba PT 1 *1	Śruba PT 1 *1

### 7.1. Środki ostrożności, które należy zachować podczas instalacji

- Należy zastosować metodę powrotu odwróconego, co pozwoli zapewnić odpowiednią wytrzymałość rur w każdym urządzeniu.
- Aby ułatwić konserwację, nadzór i wymianę urządzenia, na wlocie i odpływie wody należy zastosować właściwe złącza, zawory, etc. Ponadto, należy pamiętać o zamontowaniu filtra siatkowego na rurze doprowadzającej wodę. (Aby przeprowadzić konserwację urządzenia, konieczny jest filtr siatkowy na wlocie wody obiegowej.)
- Zainstaluj odpowiedni odpowietrznik na rurze doprowadzającej wodę. Po wypuszczeniu wody do rury, pamiętaj aby wypuścić nadmiar powietrza.
- W częściach urządzenia, które mają niską temperaturę, może tworzyć się skroplona woda. Aby spuścić wodę należy użyć rury odprowadzającej podłączonej do zaworu spustowego znajdującego się na podstawie jednostki.
- Aby zapobiec nadmiernym drganiom należy zainstalować na pompie zawór zapobiegający przepływowi wstecznemu i złącze podatne.
- Aby zabezpieczyć rury w miejscach gdzie przechodzą przez ścianę należy założyć na nie osłonki.
- Do umocowania rur należy użyć metalowych łączników i zainstalować je w sposób, który zapewni maksymalną ochronę przed złamaniem i wygięciem.
- Nie należy pomylić zaworów wlotowych i odpływowych wody.
- Jednostka ta nie posiada nagrzewnicy, która mogłaby zapobiec zamarzaniu wody w rurach. Kiedy przepływ wody zostanie zatrzymany w związku z niską temperaturą otoczenia, należy usunąć wodę z rur.
- Niewykorzystane wybijane otwory powinny być zamknięte, a otwory rur czynnika chłodniczego, rury doprowadzające wodę, źródło zasilania i przewody transmisyjne należy wypełnić kitem, aby chronić przed wodą.
- Zainstaluj filtr siatkowy pod kątem 45° lub mniejszym, jak pokazano na [Fig.7.1.2].
- Owiń taśmę uszczelniającą wokół części ze śrubą, aby zapobiec przeciekaniu wody.
- Nawinąć taśmę uszczelniającą zgodnie z poniższym opisem.
  - ① Nawinąć taśmę uszczelniającą na gwint zgodnie z kierunkiem zwojów gwintu (zgodnie z kierunkiem obrotu wskazówek zegara) i zwrócić uwagę, aby taśma nie zakrywała krawędzi.
  - ② Nawinąć taśmę o dwie trzecie do trzy czwarte jej szerokości za każdym obrotem. Dociskać taśmę palcem tak, aby ściśle przylegała do gwintu.

- ③ Nie nawijać taśmy na ostatnie 1,5 do 2 zwojów od strony rury.
- Zainstaluj dołączony filtr siatkowy na wlocie wody.
- Instalując rury lub filtr siatkowy przytrzymuj rurę z boku urządzenia za pomocą klucza. Dokręć śruby z momentem 50 N-m.
- Rury doprowadzające wodę mogą się nagrzać do bardzo wysokiej temperatury, w zależności od ustawionej temperatury. Rury należy owinać w materiał izolacyjny, aby zapobiec poparzeniom.
- W modelu PWFY-P200VM-E1-AU, zainstaluj złącze kompensacyjne (akcesoria) na wlocie po zainstalowaniu filtra siatkowego i odpływu.

### Przykład instalacji urządzenia (przy użyciu rur wodnych)

[Fig. 7.1.1] (P.2)

- Ⓐ Zamknięty zawór
- Ⓒ Odpływ wody
- Ⓔ Filtr siatkowy typu Y
- Ⓘ Złącze kompensacyjne
- Ⓑ Wlot wody
- Ⓓ Rury czynnika chłodniczego
- Ⓕ Rura spustowa

### 7.2. Instalacja izolacji

Temperatura powierzchni rur doprowadzających wodę może być bardzo wysoka, w zależności od ustawionej temperatury. Należy zaizolować rurę, aby zapobiec poparzeniom. Jeśli urządzenie PWFY-P100/P200VM-E1-AU jest stosowane z zimną wodą, należy zaizolować rurę doprowadzającą wodę, aby zapobiec skraplaniu. Owiń rury wodne materiałem izolacyjnym, jak pokazano na [Fig. 7.2.1].

- Wszystkie rury źródła ciepła
- Rury znajdujące się wewnątrz budynków w rejonach, gdzie panuje zimna pogoda i mogą zamarzać rury.
- Kiedy powietrze napływające z zewnątrz powoduje kondensację w rurach.
- Wszystkie rury odprowadzające.

[Fig. 7.2.1] (P.2)

- Ⓐ Materiał izolujący ciepło (akcesoria)
- Ⓑ Wtrysknij materiał uszczelniający.

### 7.3. Przetwarzanie wody i kontrola jakości wody

Aby zachować jakość wody, należy stosować zamknięty obwód wodny. Kiedy woda obiegowa jest niskiej jakości, na wodnym wymienniku ciepła może gromadzić się osad, co może powodować obniżenie wydajności wymiennika ciepła, a także jego korozję. Podczas instalacji systemu cyrkulacji wody należy zwracać szczególną uwagę na przetwarzanie wody i kontrolę jej jakości.

- Usuwanie ciał obcych i zanieczyszczeń z rur.  
Podczas instalacji należy uważać, aby do rur nie dostały się ciała obce, takie jak fragmenty po spawaniu, cząsteczki uszczelnacza lub rdza.
- Sprawdzanie jakości wody
  - ① W zależności od jakości wody miedziane rury wymiennika ciepła mogą ulegać korozji. Zalecamy regularne sprawdzanie jakości wody.  
Systemy cyrkulacji wody wykorzystujące otwarte zbiorniki magazynujące ciepło są szczególnie podatne na korozję.  
Kiedy używany jest otwarty zbiornik magazynujący ciepło, należy zainstalować wymiennik ciepła woda-woda i stosować obwód zamknięty po stronie klimatyzatora. Jeśli zainstalowano zbiornik dostarczający wodę, należy ograniczyć do minimum kontakt z powietrzem, a poziom tlenu rozpuszczonego w wodzie nie powinien przekraczać 1mg/l.

② Norma jakości wody

Elementy		System wodny o temperaturze w niższym zakresie środkowym Temp. wody ≤ 60 °C		System wodny o temperaturze w wyższym zakresie środkowym Temp. wody > 60 °C		Tendencja	
		Woda recykulująca	Woda dodatkowo wprowadzona	Woda recykulująca	Woda dodatkowo wprowadzona	Korozyjny	Powodujący powstawanie osadu
Elementy normy	pH (25 °C)	7,0 ~ 8,0	7,0 ~ 8,0	7,0 ~ 8,0	7,0 ~ 8,0	○	○
	Przewodność elektryczna (mS/m) (25 °C)	30 lub mniej	30 lub mniej	30 lub mniej	30 lub mniej	○	○
	(μ s/cm) (25 °C)	[300 lub mniej]	[300 lub mniej]	[300 lub mniej]	[300 lub mniej]	○	○
	Jon chlorkowy (mg Cl/ℓ)	50 lub mniej	50 lub mniej	30 lub mniej	30 lub mniej	○	
	Jon siarczanowy (mg SO <sub>4</sub> <sup>2-</sup> /ℓ)	50 lub mniej	50 lub mniej	30 lub mniej	30 lub mniej	○	
	Zużycie kwasu (pH4,8) (mg CaCO <sub>3</sub> /ℓ)	50 lub mniej	50 lub mniej	50 lub mniej	50 lub mniej		○
	Twardość całkowita (mg CaCO <sub>3</sub> /ℓ)	70 lub mniej	70 lub mniej	70 lub mniej	70 lub mniej		○
	Twardość wapniowa (mg CaCO <sub>3</sub> /ℓ)	50 lub mniej	50 lub mniej	50 lub mniej	50 lub mniej		○
Elementy referencyjne	Krzemionka jonowa (mg SiO <sub>2</sub> /ℓ)	30 lub mniej	30 lub mniej	30 lub mniej	30 lub mniej		○
	Żelazo (mg Fe/ℓ)	1,0 lub mniej	0,3 lub mniej	1,0 lub mniej	0,3 lub mniej	○	○
	Miedź (mg Cu/ℓ)	1,0 lub mniej	1,0 lub mniej	1,0 lub mniej	1,0 lub mniej	○	
	Jon siarczkowy (mg S <sup>2-</sup> /ℓ)	nie do wykrycia	nie do wykrycia	nie do wykrycia	nie do wykrycia	○	
	Jon amonowy (mg NH <sub>4</sub> <sup>+</sup> /ℓ)	0,3 lub mniej	0,1 lub mniej	0,1 lub mniej	0,1 lub mniej	○	
	Chlor pozostały (mg Cl/ℓ)	0,25 lub mniej	0,3 lub mniej	0,1 lub mniej	0,3 lub mniej	○	
	Wolny dwutlenek węgla (mg CO <sub>2</sub> /ℓ)	0,4 lub mniej	4,0 lub mniej	0,4 lub mniej	4,0 lub mniej	○	
	Indeks stabilności Ryznara	-	-	-	-	○	○

Referencja: Wytyczne dotyczące jakości wody stosowanej w urządzeniach chłodzących i klimatyzacyjnych (JRA GL02E 1994).

③ Przed zastosowaniem roztworów przeciwkorozyjnych dla kontroli jakości wody, proszę skonsultować się ze specjalistą ds. kontroli jakości wody w kwestii sposobów kontroli jakości wody i jej oceny.

④ Podczas wymiany zainstalowanego wcześniej klimatyzatora (nawet jeśli wymieniany jest tylko wymiennik ciepła), najpierw należy przeprowadzić analizę jakości wody i sprawdzić urządzenie pod kątem korozji. Korozja może wystąpić w systemach zimnej wody nawet jeśli wcześniej nie wystąpiły jej oznaki. Jeśli obniżył się poziom jakości wody, przed wymianą urządzenia należy odpowiednio dostosować jakość wody.

## 7.4. Blokada pompy

Aby wykonać uruchomienie próbne przed zakończeniem układu blokady pompy, należy zwerzeć blok styków TB142A (IN1), a następnie wykonać uruchomienie próbne.

Jednostka może ulec uszkodzeniu jeśli działa bez cyrkulacji wody w rurach.

### <PWFY-P100VM-E-BU>

Należy zablokować pracę urządzenia i pompę wodną. Aby zablokować TB142A (IN1) należy użyć bloków terminala, które znajdują się na urządzeniu.

[Fig. 7.4.1] (P.2)

### <PWFY-P100/200VM-E1-AU>

#### <Blokada pompy>

W przypadku systemu zawierającego urządzenie PWFY-P100/P200VM-E1-AU woda cyrkulacyjna może zamarzać, co prowadzi do uszkodzenia urządzenia. Aby zapobiec zamarzaniu wody, należy wykonać prace elektryczne zgodnie z [Fig. 7.4.2].

#### <Przełącznik przepływu>

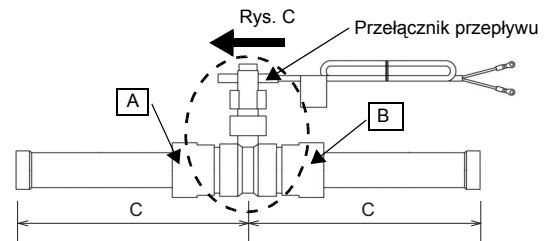
Podczas montażu urządzenia należy pamiętać o zamontowaniu dostarczonego przełącznika przepływu po stronie wylotu wody z urządzenia oraz o podłączeniu przewodu do IN1 bloku styków TB142A urządzenia.

**W przypadku niezamontowania przełącznika przepływu urządzenie wyemituje sygnał błędny (2100: błąd blokady) i nie będzie działało.**

\* Dostarczony jest przewód zwierający, ale przeznaczony jest on tylko do przeprowadzenia uruchomienia próbnego.

<Procedura montażu>

- 1 Odłącz rury podłączone do przełącznika przepływu.  
**Uwaga: W chwili dostawy rury te są luźno przymocowane.**
- 2 Owiń gwinty na końcach rur taśmą uszczelniającą, zaczynając od 1,5 lub 2 gwintu i nie zatykając otworów. Owiń taśmę dwu- lub trzykrotnie w kierunku gwintów rur (zgodnie z ruchem wskazówek zegara). Każde kolejne owinięcie taśmą powinno nachodzić na poprzednie na 2/3 – 3/4 szerokości taśmy. Przesuń palcami po gwintach i taśmie, wciskając taśmę w gwinty. Następnie podłącz rury do przełącznika przepływu, przytrzymując części A i B za pomocą klucza. Maksymalny moment dokręcenia to 60 N•m (611 kgf•cm).
- 3 Przymocuj przełącznik przepływu i rury do wylotu wody w położeniu poziomym.  
Kąt osi rury powinien być mniejszy niż 45 stopni.  
Sprawdź kierunek przełącznika przepływu zgodnie z rys. C.
- 4 Podłącz przewód przełącznika przepływu do IN1 bloku styków TB142A.



	C
PWFY-P100VM-E1-AU	175 mm
PWFY-P200VM-E1-AU	205 mm

Ustawić DipSW zgodnie z poniższą tabelą.

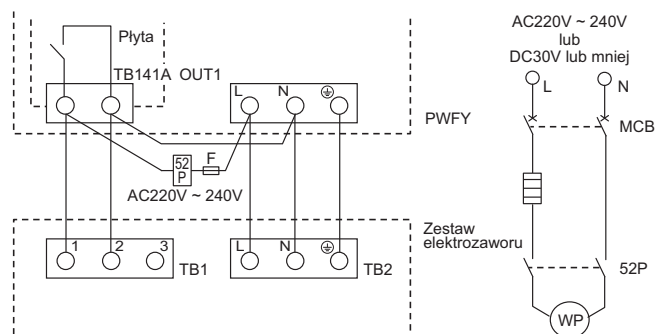
DipSW3-6	Zewnętrzny styk wyjściowy
ON (WŁ.)	Stosowane po włączeniu ustawienia Thermo
OFF (WYŁ.)	Stosowane po ON (WŁ.) działania (ON (WŁ.) sterownik zdalny)

Należy pamiętać o włączeniu zasilania pompy, ponieważ sterowanie nie działa, kiedy zasilanie pompy jest wyłączone.

#### <PAC-SV01PW-E>

Podłącz przewody, jak pokazano w [Fig. 7.4.3], przy blokowaniu działania pompy z innymi urządzeniami ORAZ podłączaniu zestawu elektrozaworu (PAC-SV01PW-E) do systemu zawierającego urządzenie zewnętrzne serii Y, urządzenia zewnętrzne serii HP(ZUBADAN), urządzenia wewnętrzne oraz PWFY-P100/P200VM-E1-AU. Ustaw przełącznik Dip SW3-6 na ON (WŁ.). Upewnij się, że używana jest wersja oprogramowania 1.18 lub nowsza.

[Fig. 7.4.3]



F: bezpiecznik  
52P: stycznik magnetyczny pompy wodnej źródła ciepła

MCB: wyłącznik  
WP: pompa wodna

## 8. Specyfikacje rury czynnika chłodniczego i rury spustowej

Na rurze czynnika chłodniczego i spustowej należy założyć odpowiednie izolacje i instalacje zapobiegające skraplaniu, aby zapobiec formowaniu się rosy.

W przypadku korzystania z dostępnych w handlu rur do czynników chłodniczych należy pamiętać o owinięciu zarówno rur przewodzących płyn, jak i gaz materiałem izolacyjnym (wytrzymującym temperatury powyżej 100 °C i o grubości podanej poniżej).

① Grubość materiału izolacyjnego należy dobrać do rozmiaru rury.

Model	PWFY-P100VM-E-BU	PWFY-P100VM-E1-AU	PWFY-P200VM-E1-AU
Gas	ø15,88	ø15,88	ø19,05
Płyn	ø9,52	ø9,52	ø9,52
Spust	ø32		
Grubość materiału izolacyjnego	Powyżej 10 mm		

② Jeśli jednostka jest instalowana na ostatnim piętrze budynku i w klimacie, gdzie panuje wysoka temperatura i wilgotność, niezbędne jest użycie większych średnic rur i grubszego materiału izolacyjnego niż podano powyżej.

③ Jeśli w miejscu instalacji obowiązują określone specyfikacje, należy postępować zgodnie z nimi.

Ponadto wszystkie rury przechodzące przez pokoje powinny być owinięte dostępnym w handlu materiałem izolacyjnym (o ciężkości polietylenu formowanego 0,03 i grubości podanej poniżej).

### 8.1. Rura czynnika chłodniczego, rura spustowa i wlot napełniania

[Fig. 8.1.1] (P.3)

- Ⓐ Rury czynnika chłodniczego (gaz)
- Ⓑ Rury czynnika chłodniczego (płyn)
- Ⓒ Wlot wody
- Ⓓ Odpływ wody
- Ⓔ Odpływ spustowy
- \*1: PWFY-P100/200VM-E1-AU

## 9. Podłączanie rur czynnika chłodniczego i rur spustowych

### 9.1. Instalacja rur czynnika chłodniczego

Instalacja musi być wykonana zgodnie z podręcznikami instalacji jednostki zewnętrznej i kontrolera BC (jednoczesne grzanie i chłodzenie, seria R2).

- Seria R2 została zaprojektowana z myślą o działaniu w systemie, w którym rura czynnika chłodniczego z jednostki wewnętrznej dochodzi do kontrolera BC i tam rozgałęzia się na jednostki wewnętrzne.
- Ograniczenia dotyczące długości rur i dopuszczalnej różnicy wysokości są podane w podręczniku dołączonym do jednostki zewnętrznej.
- Rury są łączone przez lutowanie.

#### ⚠ Ostrzeżenie:

• Rury czynnika chłodniczego dla jednostki wewnętrznej należy zainstalować w następujący sposób.

1. Utnij końcówkę rury jednostki, usuń gaz, a następnie usuń przylutowaną zatyczkę.

[Fig. 9.1.1] (P.3)

- Ⓐ Tu uciąć
- Ⓑ Usuń przylutowaną zatyczkę

2. Ściągnij izolację termiczną z rur czynnika chłodniczego w miejscu instalacji, przylutuj je do rur jednostki, a następnie załóż z powrotem izolację.

Owiń połączenie rur taśmą izolacyjną.

Uwaga:

• Owijając rury miedziane należy zachować szczególną ostrożność, ponieważ owijanie ich może wzmacniać skraplanie, zamiast je ograniczać.

\* Przed lutowaniem rury czynnika chłodniczego, należy zawsze owinać wilgotną tkaniną rury na głównym korpusie i rury z izolacją termiczną, pozwoli to zapobiec termokurczeniu i spaleniowi izolacji termicznej. Pamiętaj, aby nie dopuścić do kontaktu płomienia z głównym korpusem.

[Fig. 9.1.2] (P.3)

- Ⓐ Izolacja termiczna
- Ⓑ Ściągnij izolację
- Ⓒ Owiń wilgotną tkaniną
- Ⓓ Załóż z powrotem
- Ⓔ Upewnij się, że nie ma tu odstępów
- Ⓕ Owiń taśmą izolacyjną

### Zasady instalowania rur czynnika chłodniczego

▶ Przy lutowaniu należy korzystać wyłącznie z lutowania beztlennowego, aby żadne ciała obce ani wilgoć nie dostały się do rury.

▶ Powierzchnię kontaktu części śrubunku należy posmarować olejem do maszyn chłodniczych, a następnie skrócić śrubunek dwoma kluczami płaskimi.

▶ Należy założyć odpowiednią kłamrę metalową podtrzymującą rurę chłodniczą, aby nie przenosić obciążenia na końcówkę rury jednostki wewnętrznej. Tę metalową kłamrę należy założyć w odległości 50 cm od śrubunku jednostki wewnętrznej.

#### ⚠ Niebezpieczeństwo:

• Nie należy stosować innego czynnika chłodniczego niż określonego w instrukcjach załączonych do urządzenia i na tabliczce znamionowej.

- W przeciwnym razie może dojść do wybuchu urządzenia lub przewodów, czy też do eksplozji lub pożaru podczas użytkowania, naprawy lub utylizacji urządzenia.

- Może to być także niezgodne z obowiązującymi przepisami.

- Firma MITSUBISHI ELECTRIC CORPORATION nie odpowiada za nieprawidłowe działanie urządzenia lub wypadki spowodowane stosowaniem nieodpowiedniego typu czynnika chłodniczego.

• Podczas instalowania lub przenoszenia urządzenia w inne miejsce nie wolno go napełniać innym czynnikiem chłodniczym, niż ten (R407C lub R22), który podano na urządzeniu.

- Zmieszanie z innym środkiem chłodniczym, powietrzem itp. może spowodować nieprawidłowe działanie w cyklu chłodniczym i poważne uszkodzenie.

#### ⚠ Ostrzeżenie:

• Instalacja powinna być wykonana z miedzi odtlenionej fosforem C1220 (Cu-DHP) zgodnie z normą JIS H3300 „Rury bez szwu z miedzi i stopów miedzi”. Ponadto należy oczyścić zewnętrzne i wewnętrzne ścianki rur, usuwając z nich niebezpieczne osady siarki, tlenki, kurz i brud, wióry, smary, wilgoć i wszelkie inne zanieczyszczenia.

• Nie wolno korzystać z rur czynnika chłodniczego pozostałych po poprzednim urządzeniu.

- Duża ilość chloru, jaką zawierają konwencjonalne czynniki chłodnicze i oleje chłodnicze zalegające w starej instalacji, spowoduje rozkład nowego czynnika chłodniczego.

• Instalacja przygotowana do zamontowania klimatyzatora powinna znajdować się w pomieszczeniu zamkniętym, a oba jej końce powinny być hermetycznie zamknięte aż do momentu lutowania.

- Przedostanie się brudu, kurzu lub wody do cyklu chłodniczego może powodować rozkład oleju i awarie kompresora.

### 9.2. Instalacja rur spustowych

1. Rury spustowe muszą być skierowane do dołu (spadek powyżej 1/100) w kierunku spustu (na zewnątrz). Na drodze spustu nie może być żadnych przeszkód. (①)

2. Żadna poprzeczna rura spustowa nie może być dłuższa niż 20 m (nie licząc różnicy poziomów). Jeśli rura spustowa jest długa, należy zastosować metalowe kłamry, aby zapobiec zwieszaniu się rury. Nie wolno stosować rury odpowietrzającej. Może to spowodować ujście spustu przez rurę odpowietrzającą.

3. Instalacja spustowa powinna być wykonana z twardych rur chlorowinylowych VP-25 (o zewnętrznej średnicy 32 mm).

4. Rury zbiorcze powinny się znajdować 10 cm poniżej spustu w korpusie jednostki, jak pokazano w ②.

5. Na otworze spustowym nie wolno zakładać blokady zapachowej.

6. Koniec instalacji spustowej należy umieścić w położeniu, w którym zapach nie jest wydzielany.

7. Końca instalacji spustowej nie należy umieszczać w żadnym odpływie, gdzie wydzielane są gazy jonizujące.

[Fig. 9.2.1] (P.3)

- Ⓐ Spadek 1/100 lub więcej
- Ⓑ Przewód spustowy
- Ⓒ Jednostka
- Ⓓ Rury zbiorcze
- Ⓔ Zwiększ długość do około 10 cm

### 9.3. Podłączanie złączy elektrycznych

Sprawdzić, czy nazwa urządzenia w instrukcji obsługi zamieszczonej na obudowie skrzynki sterującej jest taka sama jak nazwa modelu podana na tabliczce znamionowej.

Krok 1

Odkręcić śruby mocujące obudowę skrzynki zaciskowej.

[Fig. 9.3.1] (P.3)

- Ⓐ Śruby
- Ⓑ Panel przedni
- Ⓒ Skrzynka sterująca

**Uwaga:**

Przy zakładaniu obudowy skrzynki zaciskowej sprawdzić, czy przewody nie zostały zakleszczone. Zakleszczenie przewodów może doprowadzić do ich zerwania.

#### ⚠ Ostrzeżenie:

Przewody należy tak układać, aby nie były zbyt napięte ani naprężone.

Naprężenie może spowodować przerwanie przewodów, przegrzanie i pożar.

- Przymocuj zewnętrzne przewody linii wejścia/wyjścia zasilania do skrzynki sterowania za pomocą przepustu buforującego siłę rozciągającą, aby zapobiec porażeniu elektrycznemu. (połączenie PG itp.). Przewody transmisyjne należy poprowadzić do przyłącza transmisyjnego przez otwór w skrzynce kontrolnej przy użyciu zwykłego przepustu.

- Po założeniu całego okablowania należy ponownie sprawdzić, czy kable nigdzie nie wiszą luźno i założyć pokrywę na skrzynkę kontrolną w kolejności odwrotnej do jej demontażu.

[Fig. 9.3.2] (P.3)

- Ⓐ Aby zapobiec przenoszeniu siły rozciągającej na część okablowania listwy zaciskowej źródła zasilania, należy zastosować przepust buforujący, jak np. połączenie PG lub podobne.
- Ⓑ Zewnętrzny kabel wejściowy sygnału
- Ⓒ Zewnętrzny kabel wyjściowy sygnału
- Ⓓ Przewody źródła zasilania
- Ⓔ Siła rozciągająca
- Ⓕ Użyć zwykłego przepustu
- Ⓖ Kabel transmisyjny i kabel zdalnego sterowania MA

#### ⚠ Ostrzeżenie:

Kable zasilania należy tak położyć, aby nie przenosiły naprężenia. Naprężenia mogą powodować rozłączenie, przegrzanie lub pożar.

## 10. Instalacja elektryczna

### Środki ostrożności dotyczące instalacji elektrycznej

#### ⚠ Niebezpieczeństwo:

Wszystkie prace elektryczne powinny być wykonywane przez wykwalifikowanego elektryka zgodnie ze „Standardami dla instalacji elektrycznych” oraz dostarczonymi podręcznikami instalacji. Należy wykonać osobny obwód dla klimatyzatora. Niewystarczająca nośność lub nieprawidłowa instalacja obwodu zasilania grozi porażeniem elektrycznym lub pożarem.

1. Zasilanie należy doprowadzić ze specjalnego obwodu odgałęzionego.
2. W obwodzie zasilania musi być zainstalowany wyłącznik różnicowo-prądowy.
3. Urządzenie należy tak zainstalować, aby żaden z kabli obwodu sterowania (zdalne sterowanie, kable transmisyjne lub zewnętrzna linia wejście/wyjście) nie stykał się bezpośrednio z kablami zasilania na zewnątrz urządzenia.
4. Żadne kable nie mogą zwisać luźno.
5. Niektóre kable (zasilania, zdalnego sterowania, transmisyjne, zewnętrznej linii wejścia/wyjścia) znajdujące się powyżej sufitu mogą zostać przegrzane przez myszy. Aby je przed tym chronić, należy je w miarę możliwości umieścić w metalowych rurekach.

#### 1. Kable transmisyjne PWFY-P100VM-E-BU

	Kable transmisyjne	Kable zdalnego sterowania MA	Wejście zewnętrzne	Wyjście zewnętrzne
Rodzaj kabla	Przewód ekranowany (2-żyłowy) CVVS, CPEVS lub MVVS	Osiłony kabel 2-żyłowy (ekranowany) CVVS	Osiłony kabel wielożyłowy (ekranowany) CVVS lub MVVS	Osiłony kabel wielożyłowy (ekranowany) CVVS lub MVVS
Średnica kabla	Powyżej 1,25 mm <sup>2</sup>	0,3 ~ 1,25 mm <sup>2</sup> (0,75 ~ 1,25 mm <sup>2</sup> )*1	0,3 ~ 0,5 mm <sup>2</sup>	0,3 ~ 1,25 mm <sup>2</sup>
Uwagi	-	Długość maks.: 200 m	Długość maks.: 100 m	Napięcie znamionowe: L1-N: 220 - 240 V Natężenie znamionowe: 0,6 A

#### PWFY-P100/200VM-E1-AU

	Kable transmisyjne	Kable zdalnego sterowania MA	Wejście zewnętrzne	Wyjście zewnętrzne
Rodzaj kabla	Przewód ekranowany (2-żyłowy) CVVS, CPEVS lub MVVS	Osiłony kabel 2-żyłowy (ekranowany) CVVS	Osiłony kabel wielożyłowy (ekranowany) CVVS lub MVVS	Osiłony kabel wielożyłowy (ekranowany) CVVS lub MVVS
Średnica kabla	Powyżej 1,25 mm <sup>2</sup>	0,3 ~ 1,25 mm <sup>2</sup> (0,75 ~ 1,25 mm <sup>2</sup> )*1	0,3 ~ 0,5 mm <sup>2</sup>	0,3 ~ 1,25 mm <sup>2</sup>
Uwagi	-	Długość maks.: 200 m	Długość maks.: 100 m	Napięcie znamionowe: L1-N: 220 - 240 V Natężenie znamionowe: 0,6 A

\*1 Połączony z prostym pilotem zdalnego sterowania.

CVVS, MVVS : Izolowany PCV w płaszczu PCV ekranowany kabel sterujący  
CVV, MVV : Izolowany PCV ekranowany PCV kabel sterujący  
CPEVS : Izolowany PE w płaszczu PCV ekranowany kabel komunikacyjny

6. Kable zasilania nigdy nie podłączać do wyjść kabli transmisyjnych. Spowodowałyby to uszkodzenie kabli.
7. Należy pamiętać o podłączeniu kabli sterowania do jednostki wewnętrznej, zdalnego sterowania i jednostki zewnętrznej.
8. Należy pamiętać o uziemieniu urządzenia.
9. Kable sterowania należy dobrać zgodnie z warunkami przedstawionymi na stronie 133.

#### ⚠ Ostrzeżenie:

Należy upewnić się, że urządzenie jest uziemione po stronie jednostki zewnętrznej. Kable uziomowego nie należy łączyć z rurami doprowadzającymi gaz lub wodę, prętami odgromowymi lub kablem uziomowym telefonu. Niepełne uziemienie grozi porażeniem elektrycznym.

### Typy kabli sterowania

#### 1. Kable instalacji transmisyjnej

- Typy kabli transmisyjnych  
Projekt okablowania musi być zgodny z następującą tabelą <Tabela 1>.
- Należy używać przewodów dostarczonych wraz z dodatkową izolacją.

## 10.1. Przewody instalacji zasilania

- Przewody zasilania urządzeń nie mogą być lżejszej budowy niż przewiduje norma 245 IEC 57 lub 227 IEC 57.
- Instalacja klimatyzatora powinna obejmować wyłącznik z odstępem przynajmniej 3 mm między stykami na każdym biegunie.

## INSTALACJA ELEKTRYCZNA

### 1. Charakterystyka elektryczna

Model	Zasilanie				Kompresor		RLA (A)
	Hz	Volty	Zakres napięcia	MCA (A)	Wyjście (kW)	SC (A)	Ogrzewanie
PWFY-P100VM-E-BU	50/60	220-230-240 V	Maks. 264 V Min. 198 V	15,71	1,0	1,25	11,63-11,12-10,66

Model	Zasilanie				RLA (A)	
	Hz	Volty	Zakres napięcia	MCA (A)	Chłodzenie	Ogrzewanie
PWFY-P100VM-E1-AU PWFY-P200VM-E1-AU	50/60	220-230-240 V	Maks. 264 V Min. 198 V	0,085	0,068-0,065-0,063	

### 2. Specyfikacja kabla zasilania

Model	Minimalna grubość kabla (mm <sup>2</sup> )			Wyłącznik upływu prądu	Wyłącznik miejscowy (A)		Wyłącznik przewodów (NFB) (A)
	Kabel główny	rozgałęźnik	Uziemienie		wydajność	bezpiecznik	
PWFY-P100VM-E-BU	2,5	-	2,5	30 A 30 mA 0,1 sek. lub mniej	25	25	30

Model	Całkowity prąd operacyjny	Minimalna grubość kabla (mm <sup>2</sup> )			Wyłącznik upływu prądu	Wyłącznik miejscowy (A)		Wyłącznik przewodów (NFB) (A)
		Kabel główny	rozgałęźnik	Uziemienie		wydajność	bezpiecznik	
PWFY-P100VM-E1-AU	16 A lub mniej	1,5	1,5	1,5	20 A 30 mA 0,1 sek. lub mniej	16	16	20
PWFY-P200VM-E1-AU	25 A lub mniej	2,5	2,5	2,5	30 A 30 mA 0,1 sek. lub mniej	25	25	30
	32 A lub mniej	4,0	4,0	4,0	40 A 30 mA 0,1 sek. lub mniej	32	32	40

[Fig. 10.1.1] (P.4)

- Ⓐ Wyłącznik upływu prądu
- Ⓑ Wyłącznik miejscowy lub wyłącznik przewodów
- Ⓒ PWFY-P100VM-E-BU
- Ⓓ PWFY-P100/200VM-E1-AU
- Ⓔ Puszka przelotowa

### ⚠ Ostrzeżenie:

Wszystkie wyłączniki i bezpieczniki muszą mieć określone parametry. Użycie wyłącznika, bezpiecznika, przewodu lub przewodu miedzianego o większych parametrach grozi awarią urządzenia lub pożarem.

## 10.2. Podłączanie zdalnego sterowania oraz zew. i wew. kabli transmisyjnych

(Zdalne sterowanie jest dostępne jako opcja.)

- Podłącz jednostkę TB5 i jednostkę zewnętrzną TB3. (kabel 2-żyłowy bez polaryzacji (ekran))  
„S” na jednostce TB5 to złącze przewodu ekranowanego. Specyfikacje kabli można znaleźć w podręczniku instalacji jednostki zewnętrznej.
- Zainstaluj zdalne sterowanie zgodnie z instrukcjami zawartymi w podręczniku dołączonym do zdalnego sterowania.
- Połącz „1” i „2” na jednostce TB15 ze zdalnym sterowaniem MA. (kabel 2-żyłowy bez polaryzacji)

[Fig. 10.2.1] (P.4) Zdalne sterowanie MA

- DC 10 – 13 V między 1 a 2 (zdalne sterowanie MA)

[Fig. 10.2.2] (P.4) Zdalne sterowanie MA

- Zdalnego sterowania MA nie można używać jednocześnie lub wymiennie.

- Ⓐ Bez polaryzacji
- Ⓑ TB15 (Kable zdalnego sterowania MA)
- Ⓒ Zdalne sterowanie MA
- Ⓓ TB5 (Kable transmisyjne)
- Ⓔ TB2 (Przewody instalacji zasilania)

### Uwaga:

Należy sprawdzić, czy okablowanie nie jest przytrzaśnięte, gdy założona jest pokrywa skrzynki terminali.

Przytrzaśnięcie okablowania może spowodować jego przecięcie.

### ⚠ Ostrzeżenie:

- Należy używać przewodów z dodatkową izolacją.
- Wejścia do TB142A, TB142B i TB142C nie powinny przewodzić prądu.
- Kable urządzenia podłączone do zewnętrznego wejścia/wyjścia powinny posiadać dodatkową izolację.
- Aby umożliwić połączenie PG, należy użyć pojedynczego kabla wielożyłowego do zewnętrznego wejścia/wyjścia.

### ⚠ Ostrzeżenie:

Wykonaj okablowanie zasilania tak, aby nie przenosiło napięcia. W przeciwnym wypadku może dojść do rozłączenia, przegrzania lub pożaru.

## 10.3. Funkcja zewnętrznego wejścia/wyjścia

Ustawianie wejścia temperatury (zewnętrzne wejście analogowe: 4mA-20mA)

Wejście zewnętrzne to wejście przez CN421, CN422 na płytce drukowanej. (Fig. 10.3.1)

Należy użyć dołączonego złącza.

Jeśli nie ustawiono temperatury pilotem MA, temperatura będzie zmieniała się wraz z prądem.

Informacje na temat dokonywania ustawień znajdziesz w instrukcji obsługi pilota MA.

4 mA → 10 °C      20 mA → 70 °C

### Uwaga:

Należy użyć urządzenia sygnału wyjściowego 4-20 mA z izolacją.

### Zewnętrzny terminal wyjścia

Zewnętrzny terminal wyjścia (patrz Fig. 10.3.2) nie działa kiedy obieg jest otwarty. Informacje na temat każdego styku znajdują się w tabeli 10.3.2.

Natężenie i napięcie w układzie podłączonym do zewnętrznego styku wyjściowego (TB141A OUT1) muszą spełniać następujące warunki.

Napięcie znamionowe styku	Natężenie znamionowe styku	
	AC250V	1 A lub mniej
	AC125V	3 A lub mniej
DC30V	3 A lub mniej	

Tabela 10.3.2

OUT	Działanie ON/OFF
OUT1	Działanie ON/OFF
OUT2	Rozmrażanie
OUT3	Kompresor
OUT4	Sygnał błędu

### Zewnętrzny terminal wejścia

Długość przewodu nie powinna przekraczać 100 m.

Zewnętrzny terminal wejścia (patrz Fig. 10.3.3) nie działa kiedy obieg jest otwarty. Informacje na temat każdego styku znajdują się w tabelach od 10.3.3. do 10.3.5.

W przypadku zwarcia, nie działa tylko funkcja „blokada pompy”.

Podłącz obwód przekaźnikowy do zewnętrznego terminala wejścia jak pokazano na Fig. 7.4.1.

Specyfikacje podłączonego obwodu przekaźnikowego muszą spełniać następujące warunki.

Napięcie znamionowe styku  $\geq$  DC15V

Prąd znamionowy styku  $\geq$  0,1A

Minimalne właściwe obciążenie  $\leq$  1mA przy DC

Tabela 10.3.3

<PWFY-P100VM-E-BU>

TB142A

IN1	Blokada pompy
-----	---------------

<PWFY-P100/200VM-E1-AU>

TB142A

IN1	Przełącznik przepływu
-----	-----------------------

**Tabela 10.3.4**  
TB142B

IN3	Wymagania podłączenia
IN4	Działanie ON/OFF

**Tabela 10.3.5**  
TB142C

COM+	Wspólne
IN5*1	Gorąca woda/ogrzewanie
IN6*2	Ogrzewanie ECO
IN7*3	Przeciw zamarzaniu

- \*1 PWFY-P100VM-E-BU Gorąca woda  
PWFY-P100/200VM-E1-AU Ogrzewanie
- \*2 Działa kiedy SW 4-3 jest ustawione na ON.
- \*3 Działa kiedy SW 4-4 jest ustawione na ON.
- \*4 Podczas ustawiania trybu ogrzewania ECO lub trybu zapobiegania zamarzaniu należy zresetować wszystkie zasilacze wszystkich urządzeń (wewnętrznych i zewnętrznych).

## 10.4. Ustawianie adresów

(Czynności te należy wykonywać przy wyłączonym głównym wyłączniku zasilania – położenie OFF.)

**[Fig. 10.4.1] (P.4)**

<Płyta adresowa>

- Są dostępne dwa typy ustawień łączników obrotowych: ustawianie adresów od 1 – 9 i powyżej 10 oraz ustawianie numerów odgałęzień.
  - Jak ustawiać adresy  
Przykład: Jeśli adres to „3”, pozostaw SWU2 (powyżej 10 adresu) w położeniu „0” i przestaw SWU1 (dla adresów od 1 – 9) na „3”.
  - Jak ustawiać numery odgałęzień SWU3 (dot. tylko serii R2)  
Dopasuj rurę czynnika chłodniczego wewnętrznej jednostki do numeru końcówki sterownika BC. Inne niż R2 pozostaw na „0”.
- Fabrycznie wszystkie łączniki obrotowe są ustawione na „0”. Przy użyciu tych łączników można ustawiać dowolne adresy jednostek i numery odgałęzień.
- Określenie adresów jednostek wewnętrznych zależy od danego systemu. Należy je ustawić zgodnie z księgą danych.

## 11. Informacje na płycie znamionowej

### ⚠ Niebezpieczeństwo:

**Nie należy stosować innego czynnika chłodniczego niż określonego w instrukcjach załączonych do urządzenia i na tabliczce znamionowej.**

- W przeciwnym razie może dojść do wybuchu urządzenia lub przewodów, czy też do eksplozji lub pożaru podczas użytkowania, naprawy lub utylizacji urządzenia.
- Może to być także niezgodne z obowiązującymi przepisami.
- Firma MITSUBISHI ELECTRIC CORPORATION nie odpowiada za nieprawidłowe działanie urządzenia lub wypadki spowodowane stosowaniem nieodpowiedniego typu czynnika chłodniczego.

Model		PWFY-P100VM-E-BU	PWFY-P100VM-E1-AU	PWFY-P200VM-E1-AU
Czynnik chłodniczy (kg)	R134a	1,1	–	–
	R410A	4,15	4,15	4,15
Ciśnienie dopuszczalne (MPa)	R134a	3,60	–	–
	woda	1,0	1,0	1,0
Ciężar netto (kg)		60	35	38

1. Мерки за безопасност.....	136	7.2. Изолационна инсталация.....	139
1.1. Преди електромонтажните дейности.....	136	7.3. Обработка на водата и качествен контрол.....	140
1.2. Предпазни мерки за уреди, които използват хладилен агент R410A.....	137	7.4. Блокировка на помпата.....	140
1.3. Преди да започнете монтажа.....	137	8. Изисквания за охладителната и отводнителната тръба.....	141
1.4. Преди да започнете монтажа (преместването) – електромонтаж.....	137	8.1. Охладителна тръба, отводнителна тръба и отвор за пълнене.....	141
1.5. Преди пробния пуск.....	138	9. Свързване на охлаждащите и отводнителните тръби.....	141
2. За изделието.....	138	9.1. Работа по охлаждащите тръби.....	141
3. Спецификации.....	138	9.2. Работа по отводнителния тръбопровод.....	142
4. Потвърждение на прикачените части.....	138	9.3. Свързване на електрически връзки.....	142
5. Метод на повдигане.....	139	10. Електрическо окабеляване.....	142
6. Монтаж на модула и място за обслужване.....	139	10.1. Окабеляване за електрозахранване.....	143
6.1. Монтаж.....	139	10.2. Свързване на дистанционен регулатор, вътрешни и външни захранващи кабели.....	143
6.2. Място за обслужване.....	139	10.3. Функции на външния вход/изход.....	143
7. Монтаж на тръбата за вода.....	139	10.4. Настройка на адреси.....	144
7.1. Предпазни мерки по време на монтажа.....	139	11. Информация върху табелката с данни на устройството.....	144

## 1. Мерки за безопасност

### 1.1. Преди електромонтажните дейности

- ▶ Преди да монтирате модула, се уверете, че сте прочели всички “Мерки за безопасност”.
- ▶ “Мерки за безопасност” засягат много важни изисквания по отношение на безопасността. Уверете се, че ги спазвате.

#### Символи, използвани в текста

##### ⚠ Предупреждение:

Описва мерките, които трябва да се спазват, за да не се допусне опасност от нараняване или смърт на потребителя.

##### ⚠ Внимание:

Описва мерките, които трябва да се спазват, за да не се допусне повреда на модула.

#### Символи, използвани в илюстрациите

- ⊘ : Показва действие, което трябва да се избягва.
- ⚠ : Показва, че трябва да се спазват важни инструкции.
- ⚡ : Показва част, която трябва да бъде заземена.
- ⚠ : Опасност от токов удар. (Този символ е показан на етикета на основния модул.) <Цвят: Жълт>
- ⚠ : Пазете се от гореща повърхност

##### ⚠ Предупреждение:

Прочетете внимателно етикета, прикрепен към основния модул.

##### ⚠ Предупреждение:

- Ако захранващият кабел е повреден, за да се избегнат инциденти, той трябва да бъде заменен от производителя, неговия сервизен агент или подобни квалифицирани лица.
- Този уред не е предназначен за използване от лица (включително деца) с намалени физически, сензорни или ментални способности, или с недостатъчно опит и знания, освен ако не са под надзор или инструктирани от отговарящо за тяхната безопасност лице относно употребата на уреда.
- Не използвайте хладилен агент, различен от типа, посочен в предоставените с тялото ръководства и върху табелката с технически данни.
  - Това може да доведе до пръсване на тялото или тръбите или да причини експлозия или пожар по време на използване, ремонт или при изхвърляне на модула.
  - Може също да е в нарушение на приложимите закони.
  - MITSUBISHI ELECTRIC CORPORATION не може да носи отговорност за неизправности или злополуки в резултат на използването на грешен тип хладилен агент.
- Не използвайте стоманени тръби като водопроводни тръби.
  - Препоръчват се медни тръби.
- Водният кръг трябва да е най-близката циркулация.
- Поискайте климатизатора да бъде монтиран от представител на търговеца или оторизиран техник.
  - Неправилен монтаж от потребителя може да доведе до теч на вода, токов удар или пожар.
- Монтирайте модула на място, което може да издържи неговата тежест.
  - Неподходящо място за монтаж може да причини падане на модула, което да доведе до наранявания.

- Не пипайте устройството. Повърхността на устройството може да бъде гореща.
- Не монтирайте модула, където съществува вероятност от натрупване на корозивен газ.
- Използвайте определените кабели за окабеляване. Правете връзките надеждно, така че външната сила на кабела да не се прилага върху клемите.
  - Неправилно свързване и затягане може да бъде причина за отделяне на топлина и да предизвика пожар.
- Подгответе срещу дъжд, други навлажнявания и земетресения и инсталирайте модула на определеното място.
  - Неправилен монтаж може да причини падане на модула и да доведе до нараняване.
- Винаги използвайте филтър или други аксесоари, указани от Mitsubishi Electric.
  - Поискайте принадлежностите да бъдат монтирани от оторизиран техник. Неправилен монтаж от потребителя може да доведе до теч на вода, токов удар или пожар.
- Никога не ремонтирайте модула. Ако климатизаторът трябва да бъде ремонтиран, се посъветвайте с търговеца.
  - Ако модулът е ремонтиран неправилно, това може да доведе до теч на вода, токов удар или пожар.
- Не пипайте охлаждащите тръби и тръбите за вода.
  - Неправилно манипулиране може да доведе до нараняване.
- Когато обслужвате това изделие, носете винаги защитно облекло. Напр.: Ръкавици, цялостна защита на ръцете и по-точно облекло срещу изгаряне, и защитни очила.
  - Неправилно манипулиране може да доведе до нараняване.
- В случай че по време на монтаж се получи изтичане на пари на хладилния агент, проветрете стаята.
  - При контакт на хладилния агент с пламъка съществува опасност от изпускане на отровни газове.
- Монтирайте устройството съгласно това Ръководство за монтаж.
  - Ако модулът е монтиран неправилно, това може да доведе до теч на вода, токов удар или пожар.
- Поискайте всички дейности по електромонтажа да бъдат извършени от правоспособен електротехник съгласно “Инженерния стандарт за електроуреди” и “Правила за вътрешно окабеляване”, както и съгласно инструкциите, дадени в това ръководство, и ползвайте винаги отделна верига.
  - Ако захранващата мощност е неподходяща или електромонтажът е извършен неправилно, това може да доведе до токов удар и пожар.
- Съхранявайте електрическите компоненти далече от вода (вода за миене и т.н.).
  - Това може да доведе до токов удар, да предизвика пожар или дим.
- Монтирайте надеждно капака (панела) на модула за източник на топлина.
  - Ако капакът на клемната кутия (панела) не е монтиран правилно, в модула за източник на топлина могат да проникнат прах или вода и да предизвикат пожар или токов удар.
- Когато монтирате или премествате климатизатора на друго място, не го зареждайте с хладилен агент (R410A), различен от посочения върху корпуса хладилен агент.
  - Ако оригиналният хладилен агент се смеси с различен хладилен агент или въздух, това може да предизвика неизправност в цикъла на хладилния агент и модулът може да се повреди.
- В случай че климатизаторът се монтира в малко помещение, трябва да се вземат мерки, за да се предотврати концентрация на хладилния агент, която надвишава безопасните стойности, в случай на теч на хладилния агент.
  - Посъветвайте се с търговеца по отношение на подходящите мерки за безопасност, които няма да позволят надвишаване на безопасните стойности. Теч на хладилния агент, когато безопасните стойности се



надвишат, може да доведе до риск от недостиг на кислород в помещението.

- **Когато местите и монтирате наново климатизатора, посъветвайте се с търговеца или с оторизиран техник.**
  - Ако модулът е монтиран неправилно, това може да доведе до теч на вода, токов удар или пожар.
- **След завършване на монтажа се уверете, че няма изтичане на хладилен агент.**
  - Ако хладилният агент протече и попадне върху calorifer, печка, фурна или друг източник на топлина, това предизвиква натрупване на отровни газове.
- **Не изменяйте конструкцията и не променяйте настройките на защитните устройства.**
  - Ако превключвател за налягане, термичен превключвател или друго защитно устройство бъдат дадени накъсо и работят в принудителен режим, или се използват компоненти, различни от компонентите, определени от Mitsubishi Electric, това може да доведе до пожар или експлозия.
- **За изхвърлянето на този продукт се консултирайте с търговеца.**
- **Монтажникът и специалистът по системата трябва да обезопасят течовете в съответствие с местните разпоредби и стандарти.**
  - Могат да се приложат следните стандарти, ако местни стандарти липсват.
- **Обърнете специално внимание на местоположението, като например мазе, където охлаждащия газ може да се постави, тъй като той е по-тежък от въздуха.**
- **Деца трябва да бъдат под надзор, така че да се гарантира, че няма да си играят с уреда.**

## 1.2. Предпазни мерки за уреди, които използват хладилен агент R410A

### ⚠ Предупреждение:

- **Не използвайте хладилен агент, различен от типа, посочен в предоставените с тялото ръководства и върху табелката с технически данни.**
  - Това може да доведе до пръсване на тялото или тръбите или да причини експлозия или пожар по време на използване, ремонт или при изхвърляне на модула.
  - Може също да е в нарушение на приложимите закони.
  - MITSUBISHI ELECTRIC CORPORATION не може да носи отговорност за неизправности или злополуки в резултат на използването на грешен тип хладилен агент.

### ⚠ Внимание:

- **Не използвайте съществуващата тръбна система за хладилен агент.**
  - Старият хладилен агент и хладилното масло в съществуващата тръбна система съдържат голямо количество хлор, което може да причини увреждане на хладилното масло в новия модул.
  - R410A е хладилен агент с високо налягане и може да доведе до спукване на съществуващите тръбопровода.
- **Използвайте тръбна система, изготвена от фосфорно редуцирана мед C1220 (Cu-DHP), съгласно JIS H3300 "Безшевни тръби и тръбопроводи от мед и медни сплави". Освен това проверете дали външната и вътрешната повърхности на тръбите са чисти и няма остатъци от сяра, окиси, прах/мръсотия, частици от стружки, масла, влага или други замърсители.**
  - Замърсяването от вътрешната страна на тръбопровода на хладилния агент може да доведе до увреждане на остатъчното хладилно масло.
- **Съхранявайте на закрито тръбопровода, който ще се използва по време на монтажа, и пазете двата края на тръбопровода запечатани до момента на тяхното запояване. (Съхранявайте колената и другите съединителни части в найлонова торба.)**
  - Ако прах, мръсотия или вода проникнат в цикъла на хладилния агент, това може да доведе до увреждане на маслото и проблеми с компресора.
- **Използвайте естерно масло, етерно масло или алкил-бензол (малки количества) като охлаждащото масло за покриване. Колични части и връзки на фланци.**
  - Охлаждащото масло ще се увреди, ако се смеси с голямо количество минерално масло.
- **Използвайте течен хладилен агент за пълнене на системата.**
  - Ако хладилният агент се използва за херметизация на системата, съставът на хладилния агент в балона ще се промени и производителността може да намалее.
- **Не използвайте хладилен агент, различен от R410A.**
  - Ако с R410A се смеси друг агент (R22 и т.н.), хлорът в хладилния агент може да причини влошаване на хладилното масло.
- **Ползвайте вакуумна помпа с възвратен клапан.**
  - Маслото на вакуумната помпа може да се върне обратно в цикъла на хладилния агент и да увреди хладилното масло.
- **Не използвайте следните инструменти, които се използват с обикновените хладилни агенти. (Калибровъчен шуцер, заряден шланг, детектор за откриване на течове на газ, възвратен клапан, устройство за зареждане с хладилен агент, оборудване за възстановяване на хладилния агент)**
  - Ако обикновеният хладилен агент и хладилно масло се смесят с R410A, хладилният агент може да се увреди.
  - Ако вода се смеси с R410A, хладилното масло може да се увреди.

- Тъй като R410A не съдържат никакъв хлор, детекторите за откриване на течове на обикновен хладилен агент няма да реагират.
- **Не използвайте балон за зареждане.**
  - Използването на балон за зареждане може да увреди хладилния агент.
- **Бъдете особено внимателни, когато подреждате инструментите.**
  - Ако прах, мръсотия или вода проникнат в цикъла на хладилния агент, той може да се увреди.

## 1.3. Преди да започнете монтажа

### ⚠ Внимание:

- **Не монтирайте модула, където съществува вероятност от изтичане на възпламеним газ.**
  - Ако газът изтече и се натрупа около модула, може да се предизвика експлозия.
- **Не използвайте климатизатора, където има храна, домашни любимци, точни измервателни инструменти или произведения на изкуството.**
  - Може да се влоши качеството на храната и т.н.
- **Не използвайте климатизатора в специални условия.**
  - Масло, пара, серен дим и т.н. могат значително да намалят производителността на климатизатора или да повредят неговите компоненти.
- **Когато монтирате модула в болница, пощенска станция или на подобно място, осигурете достатъчно добра шумоизолация.**
  - Оборудването на инвертора, самостоятелен електроагрегат, висококачествено медицинско оборудване или оборудване за радиовръзка могат да доведат до неправилно функциониране на климатизатора или до отказ. От друга страна, климатизаторът може да окаже въздействие върху такова оборудване чрез шума си, който да попречи на медицинското лечение или излъчване на картина.
- **Не монтирайте модула на място, където може да се предизвика теч.**
  - Когато влажността на помещението надвишава 80% или когато отводнителната тръба е запушена, от вътрешния модул може да протече конденс. Извършвайте колективните дренажните дейности заедно с устройството, както е необходимо.

## 1.4. Преди да започнете монтажа (преместването) – електромонтаж

### ⚠ Внимание:

- **Заземете модула.**
  - Не свързвайте заземения проводник към тръби за газ или вода, мълниеводни или наземни телефонни линии. Неправилно заземяване може да доведе до токов удар.
- **Инсталирайте захранващите кабели така че кабелът да не е подложен на натиск.**
  - Натискът може да предизвика скъсване на кабел, отделяне на топлина и възникване на пожар.
- **Монтирайте автоматичен прекъсвач при теч, както е необходимо.**
  - Ако не се монтира автоматичен прекъсвач при теч, може да се предизвика токов удар.
- **Използвайте захранващи кабели с достатъчни номинални характеристики и допустимо токово натоварване.**
  - Кабели, които са твърде малки, могат да дадат утечка, да отделят топлина и да предизвикат пожар.
- **Използвайте само автоматичен прекъсвач и предпазител с определен капацитет.**
  - Предпазител или автоматичен прекъсвач с по-голям капацитет или стоманен или меден проводник могат да доведат до голяма повреда на модула или пожар.
- **Не мийте климатизатора.**
  - Миенето му може да предизвика токов удар.
- **Внимавайте монтажната основа да не се повреди от дълга експлоатация.**
  - Ако повредата не бъде отстранена, модулът може да падне и да нарани някого или да нанесе материални щети.
- **Монтирайте отводнителните тръби съгласно това Ръководство за монтаж, за да осигурите правилно отводняване. Обвийте тръбите с термична изолация, за да предотвратите кондензация.**
  - Неправилно отводняване може да предизвика теч на вода и да повреди мебели и друго имущество.
- **Бъдете внимателни при транспортиране на изделието.**
  - Изделието не трябва да се носи само от едно лице, ако теллото му надвишава 20 кг.
  - При някои продукти се използват PP за пакетирание. Не използвайте никакви PP при транспортиране. Това е опасно.
  - При транспортиране на устройството, закрепете го на указаните позиции на основата на модула. Също така укрепете устройството за четири точки, така че да не може да се плъзне настрана.
- **Отстранете опаковъчните материали.**
  - Опаковъчни материали като гвоздеи или други метални или дървени части могат да причинят прорезни рани или друг вид наранявания.
  - Отделете и изхвърлете найлоновите пликосе, така че деца да не могат да си играят с тях. Ако деца играят с найлонов плик, който не е разкъсан, съществува риск те да се задушат.

## 1.5. Преди пробния пуск

### ⚠ Внимание:

- Код за грешка "7130" се показва, когато са изпълнени следните две условия.
  - Модулът PWFY е свързан към външен модул от серията Y.
  - Версията на софтуера отговаря на изброените по-долу.
    - серия PWFY: по-стара от Вер. 1.13
    - серия Y(YHM): по-стара от Вер. 12.27
    - серия Y(YJM): по-стара от Вер. 1.31
    - серия Replace Y(YJM): по-стара от Вер. 11.31
    - серия HP(ZUBADAN): по-стара от Вер. 22.27
    - серия WY: по-стара от Вер. 12.29
- Включете захранването най-малко 12 часа преди експлоатация.
  - Пускането в експлоатация веднага след включване на превключвателя на електрозахранването може да доведе до сериозна повреда на вътрешните части. Оставете превключвателя на електрозахранването включен през целия сезон на експлоатация.
- Не докосвайте превключвателите с влажни пръсти.
  - Докосването на превключвател с влажни пръсти може да предизвика токов удар.
- Не докосвайте охлаждащите тръби по време и непосредствено след експлоатация.
  - По време и непосредствено след експлоатация охлаждащите тръби могат да бъдат горещи или студени, в зависимост от условията на преминаване на хладилния агент по охлаждащите тръби, компресора и други части на охлаждащия цикъл. Вашите ръце могат да пострадат от изгаряне или измръзване, ако докоснете охлаждащите тръби.

- Не използвайте климатизатора, когато панелите и защитните му решетки са махнати.
  - Въртящи се, нагорещени или под високо напрежение части могат да причинят наранявания.
- Не изключвайте ел. захранването веднага след спиране на климатизатора.
  - Преди да изключите ел. захранването, винаги изчакайте поне пет минути. В противен случай могат да възникнат проблеми или теч на вода.
- Не пипайте повърхността на компресора по време на техническо обслужване.
  - Ако модулът е свързан със захранването и не започва работа, нагревателят за картера на компресора работи.
- Не пипайте панела близо до вентилния отвор с голи ръце: те могат да се нагорещат докато модулът работи (дори когато е спрял) или непосредствено след работа и да бъдат изложени на риск от изгаряния. Носете ръкавици, за да защитите ръцете си, когато е необходимо да пипате панелите.
- Когато модулът работи или непосредствено след работа, отработен въздух с висока температура може да бъде издухан навън от вентилния отвор. Не поставяйте ръцете си върху отвора или не пипайте панелите близо до отвора.
- Убедете се, че сте оставили свободно пространство за въздуха, издухан от вентилатора.
- Водопроводните тръби могат да станат много горещи, в зависимост от предварително настроената температура. Обвийте водопроводните тръби с изолационен материал, за да предпазите от изгаряния.

## 2. За изделието

### ⚠ Предупреждение:

- Не използвайте хладилен агент, различен от типа, посочен в предоставените с тялото ръководства и върху табелката с технически данни.
  - Това може да доведе до пръсване на тялото или тръбите или да причини експлозия или пожар по време на използване, ремонт или при изхвърляне на модула.
  - Може също да е в нарушение на приложимите закони.
  - MITSUBISHI ELECTRIC CORPORATION не може да носи отговорност за неизправности или злополуки в резултат на използването на грешен тип хладилен агент.
- Уредът използва хладилен агент тип R410A.

- Тръбопроводите за системите, които използват R410A, може да се различават от онези за системите, които използват конвенционален хладилен агент, защото проектното налягане в системите, използващи R410A, е по-високо. Вж. техническите данни за повече информация.
- Някои от инструментите и екипировката, използвани за монтаж на системи, които използват други видове хладилен агент, не могат да се използват при системите, използващи R410A. Вж. техническите данни за повече информация.
- Не използвайте съществуващ тръбопровод, тъй като той съдържа хлор, който се среща при машинното масло за конвенционални хладилни агрегати и агенти. Този хлор ще влоши машинното масло на хладилния агрегат в новото оборудване. Съществуващият тръбопровод не трябва да се използва, тъй като проектното налягане в системите, използващи R410A, е по-високо от онова в системите, използващи други видове хладилен агент, и съществуващите тръбопроводи може да се пръснат.

## 3. Спецификации

### ⚠ Предупреждение:

Не използвайте хладилен агент, различен от типа, посочен в предоставените с тялото ръководства и върху табелката с технически данни.

- Това може да доведе до пръсване на тялото или тръбите или да причини експлозия или пожар по време на използване, ремонт или при изхвърляне на модула.
- Може също да е в нарушение на приложимите закони.
- MITSUBISHI ELECTRIC CORPORATION не може да носи отговорност за неизправности или злополуки в резултат на използването на грешен тип хладилен агент.

Модел	PWFY-P100VM-E-BU	PWFY-P100VM-E1-AU	PWFY-P200VM-E1-AU		
Сила на звука	44dB<A>	29dB<A>	29dB<A>		
Хладилен агент	R134a × 1,1 kr	-	-		
Нетно тегло	60 kr	35 kr	38 kr		
Проектирано налягане	R410A MPa	4,15	4,15		
	R134a MPa	3,60	-		
	Вода MPa	1,00	1,00		
Съединяем Външен модул	Общ капацитет	50~100 % капацитет за външни модули		Може да се свързва само към един външен модул	50~100 % капацитет за външни модули
	Модел/Количество	Само за R2, Replace R2 серия, WR2 серия	Y, Replace Y серия, HP(ZUBADAN) серия, WY серия, R2, Replace R2 серия, WR2 серия	PUMY-P-V/YHMB(-BS)	Y, Replace Y серия, HP(ZUBADAN) серия, WY серия, R2, Replace R2 серия, WR2 серия
Диапазон на темп. Нагряване	Външна темп.	-20~32 °CWB (59~90 °F)	-20~32 °CWB (-4~90 °F) PURY - серия -20~15,5 °CWB (-4~60 °F) PUHY - серия	-15~21 °CDB (5~70 °F), -15~15 °CWB (5~59 °F)	-20~32 °CWB (-4~90 °F) PURY - серия -20~15,5 °CWB (-4~60 °F) PUHY - серия
	Темп. на входящата вода	10~70 °C (50~158 °F)	10~40 °C (50~104 °F)	10~45 °C (50~113 °F)	10~40 °C (50~104 °F)
Диапазон на темп. Охлаждане	Външна темп.	-	-5~43 °CDB (23~110 °F) PURY - серия -5~43 °CDB (23~110 °F) PUHY - серия	-	-5~43 °CDB (23~110 °F) PURY - серия -5~43 °CDB (23~110 °F) PUHY - серия
	Темп. на входящата вода	-	10~35 °C (50~95 °F)	-	10~35 °C (50~95 °F)

## 4. Потвърждение на прикачените части

- ① Филтър    ② Топлоизолационен материал    ③ Комплекти съединители × 2    ④ Разширяващ съединител × 2 (PWFY-P200VM-E1-AU)    ⑤ Проводник    ⑥ Хидрореле (PWFY-P100/P200VM-E1-AU)

## 5. Метод на повдигане

### ⚠ Вниманиe:

Внимавайте, когато носите продукта.

- Осигурете повече от един човек за пренасяне на продукта, ако той тежи повече от 20 кг.
- РР ленти се използват за пакетирание на някои продукти. Не ги използвайте за транспортиране, защото те са опасни.
- Разкъсайте на малки парченца найлоновата опаковка, за да не могат децата да играят с нея. В противен случай найлоновите пликите могат да задушат до смърт децата.

## 6. Монтаж на модула и място за обслужване

### 6.1. Монтаж

- Като използвате закрепващите гнезда, показани отдолу, здраво закрепете с болтове модула към основата.

[Fig. 6.1.1] (P.2)

Ⓐ 4-ϕ14 (Закрепващо гнездо)

Ⓑ (Изглед отгоре)

#### Основи

- Убедете се, че сте монтирали модула на място, което е достатъчно здраво, за да издържи теглото му. Ако основата не е стабилна, укрепете я с бетонна основа.
- Модулът трябва да бъде закрепен на нивелирана повърхност. Използвайте нивелир, за да проверите след монтажа.
- Ако модулът е монтиран близо до шумно помещение, използването на противовибрационна стойка на основата на модула е препоръчително.

### ⚠ Предупреждение:

- Убедете се, че сте монтирали модула на място, което е достатъчно здраво, за да издържи теглото му.  
Липсата на здраво закрепване може да доведе до падане на модула и до нараняване.

- Осигурете защитна монтажна работа против земетресение.

Неправилният монтаж може да доведе до падане на модула и до нараняване.

### 6.2. Място за обслужване

- Моля да осигурите следното място за обслужване след монтажа.  
(Цялото обслужване може да бъде извършено от предната част на модула)

[Fig. 6.2.1] (P.2)

Модел	a	b	c
PWFY-P100VM-E-BU	400	300	600
PWFY-P100VM-E1-AU	400	300	600
PWFY-P200VM-E1-AU	400	300	600

Ⓐ Разстояние между тръбите (отдясно) Ⓑ Изглед отгоре

Ⓒ Място за обслужване (предна част)

## 7. Монтаж на тръбата за вода

- Преди продължителен период на неупотреба, източете водата от тръбите, а ги оставете напълно да изсъхнат.
- Използвайте най-близкия воден кръг.
- Когато уредът е в режим на охлаждане, добавете солеви разтвор в циркулиращата вода, за да я предпазите от замръзване.
- За да използвате солеви разтвор в системата, DipSW 1-10 трябва да бъдат установени на позиция ВКЛ.
- Когато инсталацията е в ниско температурна околна среда, поддържайте постоянна циркулация на водата. Ако това е невъзможно, източете напълно водата от тръбите или напълнете водните ръби със солеви разтвор.
- Не използвайте водата, използвана от този модул за пиене или приготвяне на храна.
- Не използвайте стоманени тръби за водопроводни тръби.

Модел	Входен отвор за вода	Изходен отвор за вода
PWFY-P100VM-E-BU	PT 3/4 винт	PT 3/4 винт
PWFY-P100VM-E1-AU	PT 3/4 винт	PT 3/4 винт
PWFY-P200VM-E1-AU *1 Когато са монтирани приложените разширяващи съединители.	PT 1 винт*1	PT 1 винт*1

### 7.1. Предпазни мерки по време на монтажа

- Използвайте метода за обратно връщане, за да осигурите правилно съпротивление на тръбопровода на всеки модул.
- За да осигурите поддръжка, инспекция и подмяна на модула, използвайте подходящия съединител, клапа и т. н. на водоприемника и изходното отворстие. Убедете се освен това, че е монтиран филтър на водоприемната тръба. (За да се поддържа модула, е необходим филтър за входящия отвор на циркулиращата вода.)
- Монтирайте подходящ отвор за всмукване на въздуха върху водопроводната тръба. Убедете се, че излишния въздух е изсмукал след преминаването на водата през тръбата.
- Кондензираната вода може да формира участъци с ниска температура на модула. Използвайте дренажна тръба свързана с дренажната клапа в основата на модула, за да източите водата.
- Монтирайте предпазен възвратен клапан на помпата и подвижно съединение за да предпазите от излишни вибрации.
- Използвайте муфта, за да предпазите тръбите, когато те преминават през стената.
- Използвайте металическа арматура, за да обезопасите тръбите и ги инсталирайте така, че да са максимално защитени срещу счупване и огъване.
- Не смесвайте водоприемната тръба и изпускателните клапани.
- Този модел няма никакъв нагревател, за да предпазва тръбите от замръзване. Когато водният поток е спрял при ниска температура на околната среда, изкарайте водата от тръбите.

- Неизползваните отвори за прокарване на проводници трябва да бъдат затворени и охлаждащите тръби, водопроводните тръби, източника на захранване и захранващите кабели трябва да бъдат запълнени със замазка, за да се предпазят от вода.
- Инсталирайте филтъра под ъгъл 45° или по-малък, както е показано на [Fig. 7.1.2].
- Обвийте винта с уплътнителна лента, за да предпазите от воден теч.
- Обвийте уплътнителната лента както следва:
  - 1 Обвийте съединението по посока на резбата (по посока на часовниката стрелка) и не допускате лентата да мине над ръба.
  - 2 Припокривайте от две-трети до три-четвърти от ширината на уплътнителната лента на всяка навивка. Притискайте плътно лентата с ръка около навивките на резбата.
  - 3 Оставете 1,5 до 2 навивки от резбата в горната част на винта без уплътнителна лента.

- Монтирайте доставения филтър във входящия отвор за вода.
- Задръжте тръбата от страната на модула с гаечен ключ, когато инсталирате тръбите или филтъра. Затегнете винтовете до въртящ момент от 50 N.m
- Водопроводните тръби могат да станат много горещи, в зависимост от предварително настроената температура. Обвийте водопроводните тръби с изолационен материал, за да предпазите от изгаряния.
- На модела PWFY-P200VM-E1-AU монтирайте разширителното съединение (принадлежност) на входния канал след монтаж на филтъра и изходното устройство.

Пример за монтаж на модула (с използване на воден тръбопровод)

[Fig. 7.1.1] (P.2)

Ⓐ Затварящ клапан

Ⓑ Входен отвор за вода

Ⓒ Изходен отвор за вода

Ⓓ Охлаждащи тръби

Ⓔ Филтър тип -Y

Ⓕ Отводнителна тръба

Ⓖ Разширяващ съединител

### 7.2. Изолационна инсталация

Повърхностната температура на водата ще бъде много висока, в зависимост от настроената температура. Изолирайте тръбата, за да предотвратите изгаряния. Когато PWFY-P100/P200VM-E1-AU работи със студена вода, изолирайте водопроводната тръба, за да предотвратите кондензация. Обвийте изолационния материал около водопроводните тръби, както е показано на [Fig. 7.2.1].

- Всеки тръбопровод за източник на топлина.
- Вътрешен тръбопровод в местности със студено време, където замръзналите тръбопроводи са проблем.
- Когато входящият отвън въздух образува кондензация в тръбопроводите.
- Всеки дренажен тръбопровод.

[Fig. 7.2.1] (P.2)

Ⓐ Теплоизолационен материал (принадлежност)

Ⓑ Инжектирайте с уплътняващ материал

## 7.3. Обработка на водата и качествен контрол

За да съхраните качеството на водата, използвайте воден контур от затворен тип. Когато качеството на циркулиращата вода е незадоволително, топлообменното устройство на водата може да образува нагари, водещи до намаляване на топлообменната мощност и евентуално до корозия на топлообменното устройство. Моля обърнете специално внимание на обработката и качествения контрол на водата, когато инсталирате циркуляционни водоснабдителни системи.

- Отстраняване на чужди тела или нечистотии от вътрешността на тръбопроводите. При монтажа, внимавайте да не влязат в тръбопроводите чужди тела, като частици от заварка и уплътнения или ръжда.

② Стандарт за качеството на водата

Елементи		Понижаване на средната температура на водната система Темп. на водата $\leq 60\text{ }^{\circ}\text{C}$		Повишаване на средната температура на водната система Темп. на водата $> 60\text{ }^{\circ}\text{C}$		Тенденция	
		Повторно циркулираща вода	Добавъчна вода	Повторно циркулираща вода	Добавъчна вода	Корозивен	Образуване на нагари
Стандартен елемент	pH (25 °C)	7,0 ~ 8,0	7,0 ~ 8,0	7,0 ~ 8,0	7,0 ~ 8,0	○	○
	Електропроводимост (mS/m) (25 °C) ( $\mu\text{ S/cm}$ ) (25 °C)	30 или по-малко [300 или по-малко]	30 или по-малко [300 или по-малко]	30 или по-малко [300 или по-малко]	30 или по-малко [300 или по-малко]	○	○
	Хлорен йон (MG Cl/l)	50 или по-малко	50 или по-малко	30 или по-малко	30 или по-малко	○	
	Сулфатен йон (MG SO <sub>4</sub> <sup>2-</sup> /l)	50 или по-малко	50 или по-малко	30 или по-малко	30 или по-малко	○	
	Разход на киселини (pH4,8) (MG CaCO <sub>3</sub> /l)	50 или по-малко	50 или по-малко	50 или по-малко	50 или по-малко		○
	Обща твърдост (MG CaCO <sub>3</sub> /l)	70 или по-малко	70 или по-малко	70 или по-малко	70 или по-малко		○
	Карбонатна твърдост (MG CaCO <sub>3</sub> /l)	50 или по-малко	50 или по-малко	50 или по-малко	50 или по-малко		○
	Силициевы йони (MG SiO <sub>2</sub> /l)	30 или по-малко	30 или по-малко	30 или по-малко	30 или по-малко		○
Номер на позицията	Желязо (MG Fe/l)	1,0 или по-малко	0,3 или по-малко	1,0 или по-малко	0,3 или по-малко	○	○
	Мед (MG Cu/l)	1,0 или по-малко	1,0 или по-малко	1,0 или по-малко	1,0 или по-малко	○	
	Сулфатен йон (MG S <sup>2-</sup> /l)	не должно обнаруживаться	не должно обнаруживаться	не должно обнаруживаться	не должно обнаруживаться	○	
	Амониев йон (MG NH <sub>4</sub> <sup>+</sup> /l)	0,3 или по-малко	0,1 или по-малко	0,1 или по-малко	0,1 или по-малко	○	
	Остатъчен хлор (MG Cl/l)	0,25 или по-малко	0,3 или по-малко	0,1 или по-малко	0,3 или по-малко	○	
	Освободен въглероден двуокис (MG CO <sub>2</sub> /l)	0,4 или по-малко	4,0 или по-малко	0,4 или по-малко	4,0 или по-малко	○	
	Ryzneg индекс на стабилността	-	-	-	-	○	○

Справка: Ръководство за качество на водата за климатично оборудване и оборудване за охлаждане. (JRA GL02E-1994)

- Моля да се консултирате със специалист по контрол на качеството на водата относно методите за контрол на качеството на водата и изчисленията за качеството на водата преди да използвате противокорозионни решения за поддържане на качеството на водата.
- Когато заменят поставеното преди климатично устройство (дори когато топлообменникът е подменен), първо извършете анализ на качеството на водата и проверете за възможна корозия. Корозия може да се получи в системи за студена вода дори когато не са налични предишни признаци за корозия. Ако е паднало нивото на качеството на водата, моля да настроите качеството на водата на достатъчно ниво, преди да смените модула.

## 7.4. Блокировка на помпата

За да проверите работата преди да свържете веригата за блокиране на помпата, свържете накъсо клемния блок TB142(IN1) и направете проверката. Модулът може да се повреди, ако работи без вода, циркулираща през тръбите.

<PWFY-P100VM-E-BU>

Убедете се, че сте блокирали работата на модула и на водната помпа. Използвайте клемните кутии за блокировка TB142A (IN1) които се намират на модула.

[Fig. 7.4.1] (P.2)

<PWFY-P100/200VM-E1-AU>

<Блокировка на помпата>

Във включващи PWFY-P100/P200VM-E1-AU системи е възможно замръзване на циркулиращата вода и неправилно функциониране на уреда. Свържете електрическите компоненти както е показано на [Fig. 7.4.2], за да предотвратите замръзване на водата.

<Хидрореле>

Когато инсталирате модула се уверете, че сте монтирали релето за подавания поток откъм изходния отвор за вода, както и че сте свързали проводника към IN1 на TB142A на модула.

Ако релето не е монтирано, модулът ще издаде сигнал за грешка (2100: грешка от блокировка) и няма да работи.

\* Има доставен накъсо свързващ проводник, но той е само за пробен тест. <Процедури по инсталиране>

① Извадете помпите, прикачени към хидрорелето.

Забележка: Модулът се доставя с хлабаво затегнати тръби.

② Навийте уплътнителна лента около резбите в края на тръбите, започвайки от 1,5 или 2-рата резба, а не върху отворите. Направете две или три навивки по посока на резбите (по часовниковата стрелка). С всеки нов ход лентата трябва да прекрива 2/3 до 3/4 от ширината на вече навитата част от нея. Прокарайте пръсти по резбата и лентата, така че да притиснете лентата навътре в резбата.

След това прикачете тръбите към хидрорелето, като придържате части А и В с гаечен ключ. Максималният въртящ момент на затягане е 60 N·m (611 kgf·cm).

③ Прикачете хидрорелето и тръбите към изходния отвор за вода в хоризонтално положение.

Ъгълът на оста на тръбата трябва да бъде по-малък от 45 градуса.

Проверете посоката на хидрорелето, както е показана на Фиг. С.

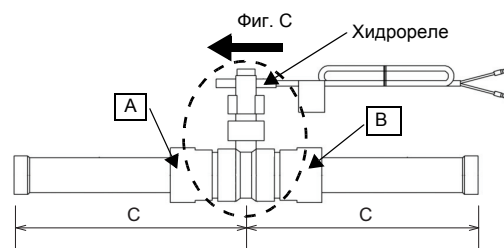
• Анализ на качеството на водата

① В зависимост от качеството на водата, медният тръбопровод на топлообменното устройство може да корозира. Препоръчваме редовен анализ на качеството на водата.

Водните циркуляционни системи, използващи отворени резервоари за акумулиране на топлина, са изключително податливи на корозия.

Когато се използват отворени резервоари за акумулиране на топлина, монтирайте водо-воден топлообменник и използвайте система за управление с обратна връзка от страната на климатизатора. Ако е монтиран резервоар за подаване на вода, поддържайте минимален контакт с въздуха и поддържайте нивото на разтворения във водата кислород не по-високо от 1MG/l.

④ Свържете проводника на хидрорелето към IN1 на TB142A.



	C
PWFY-P100VM-E1-AU	175 мм
PWFY-P200VM-E1-AU	205 мм

Установете DipSW, както е показано в следващата таблица.

DipSW3-6	Външен изходен контакт
ВКЛ	Ефективен при Thermo-ВКЛ
ИЗКЛ	Ефективен при ВКЛ действие (Позиция ВКЛ на дистанционното управление)

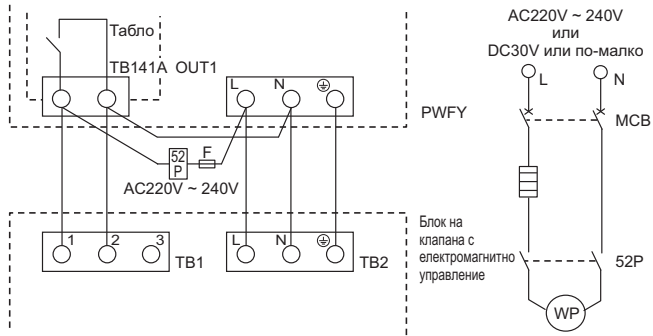
Уверете се, че сте включили захранването на помпата, тъй като управлението не работи при изключено захранване на помпата.

<PAC-SV01PW-E>

Свържете окабеляването както е показано на [Fig. 7.4.3], когато правите контактно свързване на блокировката на работата на помпата с останалите модули И свързвате блока на клапана с електромагнитно управление (PAC-SV01PW-E) към система, която включва външни модули от серия Y, HP(ZUBADAN), и вътрешни модули и PWFY-P100/P200VM-E1-AU.

Настройте двуредовия превключвател Dip SW3-6 на ON (Включено). Уверете се, че версията на софтуера е 1.18 или по-късна.

[Fig. 7.4.3]



F: Предпазител

52P: Магнитен контактор за за топлинната водна помпа

MCB: Главен прекъсвач

WP: Водна помпа

## 8. Изисквания за охладителната и отводнителната тръба

За да избегнете падане на капки, направете необходимата изолация срещу кондензация на охладителната и отводнителната тръба.

Когато използвате охладителни тръби, предлагани в търговската мрежа, тръбите за течности и за газ трябва да се обвият с изолационни материали, предлагани в търговската мрежа (с температурна устойчивост повече от 100 °C и дебелина, дадена по-долу).

① Изберете дебелината на изолационния материал според размера на тръбата.

Модел	PWFY-P100VM-E-BU	PWFY-P100VM-E1-AU	PWFY-P200VM-E1-AU
Газове	ø15,88	ø15,88	ø19,05
Течност	ø9,52	ø9,52	ø9,52
Отводняване	ø32		
Дебелина на изолационния материал	Над 10 мм		

② Ако модулет се използва на най-горния етаж на сграда и в условия на висока температура и влажност, е необходимо да се използват размер тръби и дебелина на изолационния материал, които са по-големи от тези, дадени в горната таблица.

Уверете се, че сте поставили предлаган в търговската мрежа изолационен материал (полиетилен със специфична плътност от 0.03 и дебелина, посочена по-долу) върху всички тръби, които минават през помещенията.

③ Ако има изисквания на клиента – следвайте ги.

### 8.1. Охладителна тръба, отводнителна тръба и отвор за пълнене

[Fig. 8.1.1] (P.3)

- Ⓐ Охлаждащ тръбопровод (газ)
- Ⓑ Хладилен агент (течност)
- Ⓒ Входен отвор за вода
- Ⓓ Изходен отвор за вода
- Ⓔ Изходен отводнителен отвор
- \*1: PWFY-P100/200VM-E1-AU

## 9. Свързване на охлаждащите и отводнителните тръби

### 9.1. Работа по охлаждащите тръби

Тази дейност трябва да бъде извършена в съответствие с ръководствата за монтаж на външния модул и BC регулатора (серия R2 за комбинирано охлаждане и отопление).

- Серия R2 е проектирана да работи в системата, при която охлаждащата тръба от външен модул влиза в BC регулатор и се разклонява при регулатора, за да се свърже с вътрешни модули.
- За подробности относно дължината на тръбата и допустимата разлика на издигане вижте в ръководството за външния модул.
- Методът на свързване на тръбите е запоена връзка.

#### ⚠ Внимание:

- Монтирайте охлаждащия тръбопровод за вътрешния модул в съответствие със следното.

1. Отрежете края на тръбопровода на вътрешния модул, отстранете газа и след това свалете запоената капачка.

[Fig. 9.1.1] (P.3)

- Ⓐ Отрежете тук
- Ⓑ Отстранете запоената капачка

2. Издърпайте термичната изолация на мястото на охлаждащия тръбопровод, направете запояването на тръбопровода на модула и поставете изолацията в първоначалното ѝ положение. Обвийте тръбопровода с изолираща лента.

#### Забележка:

- Обърнете особено внимание, когато обвивате медния тръбопровод, тъй като обвиването може да причини кондензация, вместо да я предотврати.

\* Преди запояване на охладителната тръба, винаги обвивайте тръбите на основния корпус, и термоизолационните тръби с влажни тъкани, за да предпазите от топлинна деформация и изгаряне на термоизолиращите тръбопровод. Убедете се, че пламъка не е в контакт с основния корпус.

[Fig. 9.1.2] (P.3)

- Ⓐ Термична изолация
- Ⓑ Издърпайте изолацията
- Ⓒ Обвийте с влажна кърпа
- Ⓓ Поставете в първоначалното положение
- Ⓔ Уверете се, че тук няма разстояние
- Ⓕ Обвийте с изолираща лента

#### Предпазни мерки за охлаждащия тръбопровод

- ▶ Уверете се, че сте използвали неоокисляващ се припой за запояване, за да сте сигурни, че в тръбата няма да проникне чужда материя или влага.
- ▶ Уверете се, че сте нанесли охлаждащо машинно масло върху монтажната повърхност на свързване на фланците, и затегнете връзката, като използвате двоен гаечен ключ.
- ▶ Осигурете метална скоба за поддържане на охлаждащата тръба, така че тежестта да не се предаде на края на тръбата на вътрешния модул. Тази метална скоба трябва да бъде поставена на 50 см от свързването на фланца на вътрешния модул.

#### ⚠ Предупреждение:

- Не използвайте хладилен агент, различен от типа, посочен в предоставените с тялото ръководства и върху табелката с технически данни.
  - Това може да доведе до пръсване на тялото или тръбите или да причини експлозия или пожар по време на използване, ремонт или при изхвърляне на модула.
  - Може също да е в нарушение на приложимите закони.
  - MITSUBISHI ELECTRIC CORPORATION не може да носи отговорност за неизправности или злополуки в резултат на използването на грешен тип хладилен агент.
- Когато монтирате и премествате модула, не го зареждайте с хладилен агент, различен от хладилния агент (R407C или R22) посочен върху корпуса.
  - Смесване на различни хладилни агенти, въздух и т.н. може да доведе до смущения в цикъла на хладилния агент и сериозна повреда.

### ⚠ Внимание:

- Използвайте тръбна система, изготвена от фосфорно редуцирана мед C1220 (Cu-DHP), съгласно JIS H3300 "Безшевни тръби и тръбопроводи от мед и медни сплави". Освен това проверете дали външната и вътрешната повърхности на тръбите са чисти и няма остатъци от сяр, окиси, прах/мръсотия, частици от стружки, масла, влага или други замърсители.
- Никога не използвайте съществуваща тръбна система за хладилен агент.
  - Голямото количество хлор в обикновения хладилен агент и хладилното масло в съществуващия тръбопровод предизвикват увреждане на новия хладилен агент.
- Съхранявайте на закрито тръбопровода, който ще се използва по време на монтажа, и пазете двата края на тръбопровода запечатани до момента на тяхното запояване.
  - Ако прах, мръсотия или вода проникнат в цикъла на хладилния агент, това може да доведе до увреждане на маслото и проблеми с компресора.

## 9.2. Работа по отводнителния тръбопровод

1. Уверете се, че отводнителният тръбопровод е насочен надолу (наклон над 1/100) към външната (отводняваща) страна. По протежението на тръбата не трябва да има препятствия или неравности. (1)
2. Уверете се, напречният тръбопровод е по-къс от 20 м (с изключение на разликата на издигане). Ако отводнителната тръба е дълга, използвайте метални скоби, за да предотвратите извиване. Никога не поставяйте тръба с отвор за всмукване на въздух. В противен случай отводняваният материал може да бъде изхвърлен.
3. Използвайте твърда тръба VP-25 от винил-хлорид (с външен диаметър 32 мм) за отводнителен тръбопровод.
4. Уверете се, че събирателните тръби са с 10 см по-ниско от отводнителния отвор на корпуса на модула, както е показано в (2).
5. Не поставяйте обезмирисител при отводнителния отвор.
6. Сложете края на отводнителния тръбопровод в положение, при което не се отделя никакъв мирис.
7. Не поставяйте края на отводнителния тръбопровод в отводнител, в който се натрупват йонни газове.

[Fig. 9.2.1] (P.3)

- Ⓐ Наклон надолу 1/100 или повече
- Ⓑ Отводнителен шланг
- Ⓒ Модул
- Ⓓ Приемни тръбопроводи
- Ⓔ Увеличете тази дължина с около 10 см

## 10. Електрическо окабеляване

### Предпазни мерки за електрическо окабеляване

#### ⚠ Предупреждение:

Електромонтажът трябва да се извърши от квалифициран електроинженер в съответствие с "Инженерни стандарти за електромонтаж" и предоставените ръководства за монтаж. Трябва също да се използват специални ел. мрежи. Ако ел. мрежата е с недостатъчен капацитет или има монтажен дефект, това може да предизвика риск от токов удар или пожар.

1. Уверете се, че електрозахранването става от специална разклонителна мрежа.
2. Монтирайте към веригата прекъсвач за утечка в земята.
3. Монтирайте уреда по такъв начин, че никой от кабелите на управляващата верига (дистанционен регулатор, захранващи кабели или външни входящо/изходящи линии) да не бъде в директен контакт със силовия кабел извън модула.
4. Проверете по всички кабелни връзки дали няма провисване.
5. Някои кабели (силов, дистанционен регулатор, захранващи кабели или външна входящо/изходяща линия) над тавана могат да бъдат повредени от мишки. Използвайте възможно най-много метални тръби, за да вложите кабелите в тях с цел защита.

#### 1. Захранващи кабели PWFY-P100VM-E-BU

	Захранващи кабели	МА кабели на дистанционния регулатор	Външен вход	Външен изход
Вид на кабела	Екрани проводници (2-core) CVVS, SPEVS или MVVS	Армиран 2-core кабел (екраниран) CVVS	Армиран многожилен кабел (екраниран) CVVS или MVVS	Армиран многожилен кабел (екраниран) CVVS или MVVS
Диаметър на кабела	Над 1,25 мм <sup>2</sup>	0,3 ~ 1,25 мм <sup>2</sup> (0,75 ~ 1,25 мм <sup>2</sup> )*1	0,3 ~ 0,5 мм <sup>2</sup>	0,3 ~ 1,25 мм <sup>2</sup>
Забележки	-	Макс. дължина: 200 м	Макс. дължина: 100 м	Номинално напрежение: L1-N: 220 - 240 V Номинално натоварване: 0,6 A

## 9.3. Свързване на електрически връзки

Убедете се, че името на модела на инструкциите за работа на капака на блока за управление е същото, като името на модела на табелката с данни за уреда.

### Стъпка 1

Развийте винтовете на капака на клемната кутия.

[Fig. 9.3.1] (P.3)

- Ⓐ Винтове
- Ⓑ Преден панел
- Ⓒ Блок за управление

#### Забележка:

Уверете се, че при поставянето на капака на клемната кутия няма прищипани кабели.

Прищипването на кабел може да доведе до прекъсването му.

#### ⚠ Внимание:

Направете окабеляването така, че да не е стегнато и опънато. Опънатото окабеляване може да се скъса или да прегрее и да се запали.

- Фиксирайте външните входящо изходни линейни кабели на захранващия източник към блока за управление, като използвате буферна втулка за сила на разтягане, за да предпазите от електрически шок. (Свързване PG или подобно.) Свържете захранващото окабеляване към захранващата клемна дъска през отвора за прокарване на кабели на блока за управление, като използвате обикновена втулка.
- След завършване на окабеляването отново проверете дали няма провисване по връзките и поставете капака върху блока за управление в обратния ред на неговото изваждане.

[Fig. 9.3.2] (P.3)

- Ⓐ Използвайте буферна втулка, като PG свързване или подобно, за да предпазите прилагане на външна сила на разтягане към окабеляващата секция за свързване към клемна дъска на захранващия източник.
- Ⓑ Входящ кабел за външния сигнал
- Ⓒ Изходящ кабел за външния сигнал
- Ⓓ Окабеляване на захранващия източник
- Ⓔ Сила на разтягане
- Ⓕ Използвайте обикновена втулка
- Ⓖ Захранващ кабел и МА кабел на дистанционния регулатор

#### ⚠ Внимание:

Окабелете електрозахранването така, че да не се предава напрежение. В противен случай може да се получи прекъсване на връзката, загаряване или пожар.

6. Никога не свързвайте силовия кабел с електропровод за захранващи кабели. В противен случай кабелите ще се скъсат.
7. Уверете се, че сте свързали управляващите кабели с външния модул, дистанционния регулатор и външния модул.
8. Убедете се, че сте заземили модула.
9. Изберете управляващи кабели съгласно условията, дадени на стр 142.

#### ⚠ Внимание:

Уверете се, че сте заземили модула от страната на външния модул. Не свързвайте заземяващ кабел с газова тръба, водна тръба, мълниеотвод или телефонен наземен кабел. Непълното заземяване може да предизвика риск от токов удар.

## Видове управляващи кабели

### 1. Прокарване на захранващи кабели

- Видове захранващи кабели  
Проектирайте окабеляването в съответствие със следната таблица <Таблица 1>.
- Използвайте доставените кабели с допълнителна изолация.

	Захранващи кабели	MA кабели на дистанционния регулатор	Външен вход	Външен изход
Вид на кабела	Екранирни проводници (2-core) CVVS, CPEVS или MVVS	Армиран 2-core кабел (екраниран) CVVS	Армиран многожилен кабел (екраниран) CVVS или MVVS	Армиран многожилен кабел (екраниран) CVVS или MVVS
Диаметър на кабела	Над 1,25 мм <sup>2</sup>	0,3 ~ 1,25 мм <sup>2</sup> (0,75 ~ 1,25 мм <sup>2</sup> )*1	0,3 ~ 0,5 мм <sup>2</sup>	0,3 ~ 1,25 мм <sup>2</sup>
Забележки	-	Макс. дължина: 200 м	Макс. дължина: 100 м	Номинално напрежение: L1-N: 220 - 240 V Номинално натоварване: 0,6 A

\*1 Свързан с обикновен дистанционен регулатор. CVVS, MVVS : PVC изолиран PVC облицован екраниран управляващ кабел  
CVV, MVV : PVC изолиран PVC армиран управляващ кабел  
CPEVS : PE изолиран PVC облицован екраниран управляващ кабел

## 10.1. Окабеляване за електрозахранване

- Захранващите кабели на уредите не трябва да бъдат по-леки от схема 245 IEC 57 или 227 IEC 57.
- При монтажа на климатизатора трябва да се осигури прекъсвачател с най-малко 3 мм разстояние между контактите на всеки полюс.

## ЕЛЕКТРОМОНТАЖ

### 1. Електрическа характеристика

Модел	Електрозахранване				Компресор		RLA (A)
	Hz	Волтове	Диапазон на напрежението	MCA (A)	Изходна мощност (kW)	SC (A)	Нагряване
PWFY-P100VM-E-BU	50/60	220-230-240 V	Макс. 264 V Мин. 198 V	15,71	1,0	1,25	11,63-11,12-10,66

Модел	Електрозахранване				RLA (A)	
	Hz	Волтове	Диапазон на напрежението	MCA (A)	Охлаждане	Нагряване
PWFY-P100VM-E1-AU PWFY-P200VM-E1-AU	50/60	220-230-240 V	Макс. 264 V Мин. 198 V	0,085	0,068-0,065-0,063	

### 2. Спецификации на захранващия кабел

Модел	Минимална дебелина на проводника (мм <sup>2</sup> )			Прекъсвач за утечка на тока	Входен прекъсвачател (A)		Прекъсвач за кабелната система (NFB) (A)
	Основен кабел	разклонение	Земя		капацитет	предпазител	
PWFY-P100VM-E-BU	2,5	-	2,5	30 A 30 mA 0,1 сек или по-малко	25	25	30

Модел	Общ работен ток	Минимална дебелина на проводника (мм <sup>2</sup> )			Прекъсвач за утечка на тока	Входен прекъсвачател (A)		Прекъсвач за кабелната система (NFB) (A)
		16 A или по-малко	25 A или по-малко	32 A или по-малко		капацитет	предпазител	
PWFY-P100VM-E1-AU		1,5	1,5	1,5	20 A 30 mA 0,1 сек или по-малко	16	16	20
PWFY-P200VM-E1-AU		2,5	2,5	2,5	30 A 30 mA 0,1 сек или по-малко	25	25	30
		4,0	4,0	4,0	40 A 30 mA 0,1 сек или по-малко	32	32	40

#### [Fig. 10.1.1] (P.4)

- Ⓐ Прекъсвач за утечка на тока
- Ⓑ Входен прекъсвачател или прекъсвачател за кабелната система
- Ⓒ PWFY-P100VM-E-BU
- Ⓓ PWFY-P100/200VM-E1-AU
- Ⓔ Кутия

#### ⚠ Внимание:

Не използвайте нищо друго освен прекъсвач и предпазител с правилната мощност. Използване на предпазител, проводник или меден проводник с твърде голям капацитет може да предизвика риск от неизправност или пожар.

## 10.2. Свързване на дистанционен регулатор, вътрешни и външни захранващи кабели

(Като опция се предлага отдалечен контролер.)

- Свържете модула TB5 и външния модул TB3. (Неполяризиран 2-жичен (екраниран))  
"S" на модула TB5 е свързване на екраниран проводник. За изискванията при свързването на кабели вижте ръководството за монтаж на външния модул.
- Монтирайте дистанционен регулатор съгласно ръководството, доставено с дистанционния регулатор.
- Свържете "1" и "2" на модула TB15 с MA дистанционен регулатор. (Неполяризиран 2-жичен).

#### [Fig. 10.2.1] (P.4) Дистанционен регулатор MA

- DC 10 до 13 V между 1 и 2 (дистанционен регулатор MA)

#### [Fig. 10.2.2] (P.4) Дистанционен регулатор MA

- Дистанционният регулатор MA не може да се използва в същото време или взаимозаменяемо.
  - Ⓐ Неполаризиран
  - Ⓑ TB15 (MA кабели на дистанционния регулатор)
  - Ⓒ MA дистанционен регулатор
  - Ⓓ TB5 (Захранващи кабели)
  - Ⓔ TB2 (Окабеляване за електрозахранването)

#### Забележка:

Уверете се, че при поставянето на капака на клемната кутия няма прищипани кабели.

Прищипването на кабел може да доведе до прекъсването му.

#### ⚠ Внимание:

- Използвайте кабели с допълнителна изолация.
- Входът към TB142A, TB142B и TB142C не трябва да пренася напрежение.
- Кабелите на оборудването свързани с външния вход/изход трябва да имат допълнителна изолация.
- Използвайте единичен многожилен кабел за външен вход/изход при завинтането на PG.

#### ⚠ Внимание:

Окабелете електрозахранването така, че да не се предава напрежение. В противен случай може да се получи прекъсване на връзката, загряване или пожар.

## 10.3. Функции на външния вход/изход

Настройване на входящата температура (външен аналогов вход: 4mA-20mA)

Външният вход е чрез CN421, CN422 на монтажната платка. (Fig. 10.3.1)

Използвайте доставения съединител.

Ако настройките на температурата са направени посредством MA дистанционният регулатор, температурата се променя с тока.

За начините на настройване на MA дистанционният регулатор направете справка с Инструкцията по експлоатация, приложена към дистанционния регулатор.

4 mA → 10 °C                      20 mA → 70 °C

#### Забележка:

Използвайте устройство с 4-20 mA изходен сигнал с изолация.

#### Външен изходен терминал

Външният изходен терминал (виж Fig. 10.3.2) не работи при отворена верига.

Направете справка с Таблица 10.3.2 за информацията относно всеки контакт.

Токът и напрежението във веригата, които трябва да се свържат към външна изходна клемма (TB141A OUT1), е необходимо да удовлетворяват следните условия.

Номинално напрежение за контакта		Номинален ток за контакта
	AC250V	1A или по-малко
	AC125V	3A или по-малко
	DC30V	3A или по-малко

Таблица 10.3.2

OUT1	Действие ON/OFF
OUT2	Размразяване
OUT3	Компресор
OUT4	Сигнал за грешка

#### Външен входен терминал

Дължината на проводника трябва да бъде до 100 м. Външният входен терминал (виж Fig. 10.3.3) не работи при отворена верига. Направете справка с Таблица 10.3.3 до Таблица 10.3.5 за информацията относно всеки контакт.

Не работи само функцията "блокировка на помпата", когато има късо съединение във веригата.

Свържете релейната схема към външния изходен терминал както е показано на Fig. 7.4.1.

Спецификациите на свързаната релейна схема трябва да отговарят на следните условия.

Максимално допустимо напрежение на включените контакти  $\geq$  DC15V

Максимално допустим ток на включените контакти  $\geq$  0.1A

Минимално приложима тежест  $\leq$  1mA на DC

Таблица 10.3.3

<PWFY-P100VM-E-BU>

TB142A

IN1	Блокировка на помпата
-----	-----------------------

<PWFY-P100/200VM-E1-AU>

TB142A

IN1	Хидрореле
-----	-----------

Таблица 10.3.4

TB142B

IN3	Команда за свързване
IN4	Действие ON/OFF

Таблица 10.3.5

TB142C

COM+	Общ
IN5*1	Гореща вода/Нагриване
IN6*2	Отопление ECO
IN7*3	Антифриз

\*1 PWFY-P100VM-E-BU Гореща вода

PWFY-P100/200VM-E1-AU Нагриване

\*2 ефективно, когато SW 4-3 е настроен на ON.

\*3 ефективно, когато SW 4-4 е настроен на ON.

\*4 При задаване на режими Срещу замръзване ECO или Отопление възстановете началните стойности на захранването на всички модули (външен/вътрешен модул).

## 10.4. Настройка на адреси

(Работете само при изключено захранване.)

[Fig. 10.4.1] (P.4)

<Табло с адреси>

• Има два вида настройки на въртящия се превключвател: настройка на адреси от 1 до 9 и над 10, и настройка на номер на разклонение.

① Как се настройват адреси

Например: Ако адресът е "3", оставете SWU2 (за над 10) на "0" и поставете SWU1 (от 1 до 9) на "3".

② Как се задават номера на разклонение SWU3 (само за серия R2)

Свържете охладителната тръба на вътрешния модул с крайното съединение на причисления BC регулатор. Свържете охладителната тръба на вътрешния модул с крайното съединение на причисления BC регулатор. Остава различно от при R2 на "0".

• Всички въртящи се превключватели са настроени фабрично на "0". Тези превключватели могат да се използват за настройка на адреси на модули и номера на разклонение по желание.

• Определянето на адресите на вътрешните модули е различно според системата на мястото. Настройте ги според справочника с данни.

## 11. Информация върху табелката с данни на устройството

### ⚠ Предупреждение:

Не използвайте хладилен агент, различен от типа, посочен в предоставените с тялото ръководства и върху табелката с технически данни.

- Това може да доведе до пръсване на тялото или тръбите или да причини експлозия или пожар по време на използване, ремонт или при изхвърляне на модула.

- Може също да е в нарушение на приложимите закони.

- MITSUBISHI ELECTRIC CORPORATION не може да носи отговорност за неизправности или злополуки в резултат на използването на грешен тип хладилен агент.

Модел		PWFY-P100VM-E-BU	PWFY-P100VM-E1-AU	PWFY-P200VM-E1-AU
Хладилен агент (kg)	R134a	1,1	-	-
	R410A	4,15	4,15	4,15
Допустимо налягане (MPa)	R134a	3,60	-	-
	вода	1,0	1,0	1,0
Нетно тегло (kg)		60	35	38



# Innehållsförteckning

1. Säkerhetsföreskrifter.....	145	7.2. Isoleringsarbete.....	148
1.1. Före installation och elarbeten.....	145	7.3. Vattenbehandling och vattenkvalitetskontroll.....	148
1.2. Försiktighetsåtgärder för enheter som använder kylmedel av typ R410A.....	146	7.4. Förregling av pump.....	149
1.3. Före installationen.....	146	8. Specifikationer för kylmedelsledningar och avloppsledningar.....	149
1.4. Före installation (flyttning) - elarbete.....	146	8.1. Kylmedelsledning, avloppsledning och påfyllningsöppning.....	149
1.5. Före testkörningen.....	146	9. Ansluta kylmedelsrörledningar och avloppsörledningar.....	150
2. Om produkten.....	146	9.1. Kylmedelsrörledningarna.....	150
3. Specifikationer.....	147	9.2. Avloppsledningarna.....	150
4. Bekräftelse av tillhörande delar.....	147	9.3. Elanslutningar.....	150
5. Lyftmetod.....	147	10. Elledningar.....	151
6. Installation av enhet och serviceutrymme.....	147	10.1. Strömförsörjningsledning.....	151
6.1. Installation.....	147	10.2. Ansluta fjärrkontrollkabeln och inomhus- och utomhusöverföringskablarna.....	152
6.2. Serviceutrymme.....	147	10.3. Funktion extern in-/utmatning.....	152
7. Installation av vattenrör.....	148	10.4. Lägga in adresser.....	152
7.1. Försiktighetsmått vid installation.....	148	11. Information på dataskylden.....	152

## 1. Säkerhetsföreskrifter

### 1.1. Före installation och elarbeten

- ▶ Läs alla "Säkerhetsföreskrifter" innan enheten installeras.
- ▶ "Säkerhetsföreskrifter" innehåller viktig information om säkerhet. Följ dem alltid.

#### Symboler som används i texten

##### ⚠ Varning:

Föreskrifter som användaren måste beakta för att förhindra risk för personskador eller dödsolyckor.

##### ⚠ Observera:

Föreskrifter som måste beaktas för att förhindra risk för skador på enheten.

#### Symboler som används i illustrationerna

⊘ : Anger en åtgärd som måste undvikas.

⚠ : Anger att viktiga anvisningar måste följas.

⚡ : Anger en del som måste jordas.

⚠ : Varning för elektriska stötar. (denna symbol används på huvudenhetens skylt.) <Färg: Gul>

⚠ : Se upp med heta ytor

##### ⚠ Varning:

Läs skyltarna på huvudenheten noga.

##### ⚠ Varning:

- Om strömförsörjningssladden är skadad, måste den bytas av tillverkaren, dennes serviceansvarige eller liknande kvalificerade personer för att undvika risker.
- Denna apparat är inte avsedd att användas av personer (inkl. barn) med förminskade fysiska, sensoriska eller mentala förmågor, eller som saknar erfarenhet och kunskap, om de inte övervakas eller instrueras om användandet av apparaten av någon som ansvarar för deras säkerhet.
- Använd inget annat kylmedel än den typ som anges i bruksanvisningen som medföljer enheten och på namnskylden.
  - Det kan i så fall orsaka att enheten eller rören spricker, eller orsaka explosion eller brand under användning, reparation, eller vid kasserandet av enheten.
  - Det kan även vara ett brott mot tillämpliga lagar.
  - MITSUBISHI ELECTRIC CORPORATION kan inte hållas ansvariga för funktionsstörningar eller olyckor som inträffar på grund av att fel kylmedel används.
- Använd inte ställedningar som vattenledningar.
  - Kopparledningar rekommenderas.
- Vattenkretsen bör vara en sluten krets.
- Återförsäljaren eller en behörig tekniker ska installera luftkonditioneraren.
  - Om användaren installerar den på felaktigt sätt finns det risk för vattenläckage, elektriska stötar och brand.
- Installera enheten på en plats som håller för dess vikt.
  - Om underlaget inte är tillräckligt starkt kan enheten falla ner och orsaka personskador.
- Vidrör inte enheten. Enhetens yta kan bli het.
- Installera inte enheten där frätande gas skapas.
- Använd alltid de kablar som specificeras. Gör anslutningarna ordentligt, så att externa krafter som påverkar kabeln inte belastar kontaktdonen.
  - Otillräcklig anslutning och fästning kan generera värme med risk för brand.
- Förbered för regn och annan fukt och jordbävningar och installera enheten på den plats som anges.
  - Vid felaktig installation finns det risk för att enheten tippar över och orsakar skador.

- Använd alltid en sil eller andra tillbehör enligt Mitsubishi Electric anvisningar.

- Låt en behörig tekniker installera tillbehören. Om användaren installerar den på felaktigt sätt finns det risk för vattenläckage, elektriska stötar och brand.

- Reparera aldrig enheten. Kontakta återförsäljaren om enheten behöver repareras.

- Om enheten repareras på felaktigt sätt finns det risk för vattenläckage, elektriska stötar och brand.

- Vidrör inte ledningarna för kylmedel eller vatten.

- Felaktig hantering medför risk för personskador.

- Använd alltid skyddsutrustning när du hanterar denna produkt.

Exempelvis handskar, fullständigt armskydd i form av overall och skyddsglasögon.

- Felaktig hantering medför risk för personskador.

- Ventilera rummet om kylmedelsgas läcker ut vid installationen.

- Giftiga gaser bildas om kylmedelsgasen kommer i kontakt med lågor.

- Installera enheten enligt denna installationshandbok.

- Om enheten installeras på felaktigt sätt finns det risk för vattenläckage, elektriska stötar och brand.

- Låt en behörig elektriker utföra allt elarbete enligt "Electric Facility Engineering Standard" och "Interior Wire Regulations" och anvisningarna i denna handbok. Använd alltid en egen krets för utrustningen.

- Om strömkällans kapacitet är otillräcklig, eller om elarbetet utförs på felaktigt sätt, finns det risk för elektriska stötar och brand.

- Håll elkompnenterna borta från vatten (tvättvatten m.m.).

- Vatten kan ge upphov till elektriska stötar, brand och rök.

- Installera värmekällans kontaktkåpa (panel) på ett säkert sätt.

- Om kontaktkåpan (panelen) inte installeras på korrekt sätt kan damm eller vatten komma in i värmekällan med risk för brand eller elektriska stötar.

- Ladda inte luftkonditioneraren med annat köldmedium (R410A) än det som specificeras på den, när den installeras och flyttas till en annan plats.

- Kylcykeln fungerar eventuellt inte som den ska om ett annat kylmedel eller luft blandas med originalkylmedlet, och enheten kan skadas.

- Om luftkonditioneraren installeras i ett litet rum måste man vidta åtgärder för att förhindra att kylmedelskoncentrationen överskrider säkerhetsgränsen, också om kylmedel läcker ut.

- Kontakta återförsäljaren för besked om lämpliga åtgärder för att förhindra att säkerhetsgränsen överskrids. Om kylmedel läcker ut så att säkerhetsgränsen överskrids kan risker uppkomma som en följd av syrebrist i rummet.

- Kontakta återförsäljaren eller en behörig tekniker när luftkonditioneraren ska flyttas och återinstalleras.

- Om luftkonditioneraren installeras på felaktigt sätt finns det risk för vattenläckage, elektriska stötar och brand.

- Kontrollera att kylmedelsgas inte läcker ut efter slutförd installation.

- Ohälsosamma gaser kan bildas om kylmedelsgasen läcker ut och exponeras för en värmefläkt, spis, ugn eller annan värmekälla.

- Ändra inte på enheten eller på skyddsanordningarnas inställningar.

- Om tryckbrytaren, termobrytaren eller någon annan skyddsanordning kortslogs och aktiveras med kraft, eller om andra delar än dem som specificeras av Mitsubishi Electric används, finns det risk för brand eller explosion.

- Kontakta återförsäljaren när produkten ska kasseras.

- Installatören och systemspecialisten ska säkerhetsställa säkerheten mot läckage enligt lokala bestämmelser eller standarder.

- Följande standard kan användas om det inte finns några lokala bestämmelser att tillgå.

- Var speciellt uppmärksam på platser, så som kallare m.fl. där kylgas kan stanna, då köldmedlet är tyngre än luft.

- Barn bör övervakas så att de inte kan leka med apparaten.

## 1.2. Försiktighetsåtgärder för enheter som använder kylmedel av typ R410A

### ⚠ Varning:

- Använd inget annat köldmedel än den typ som anges i bruksanvisningen som medföljer enheten och på namnskytten.
  - Det kan i så fall orsaka att enheten eller rören spricker, eller orsaka explosion eller brand under användning, reparation, eller vid kasserandet av enheten.
  - Det kan även vara ett brott mot tillämpliga lagar.
  - MITSUBISHI ELECTRIC CORPORATION kan inte hållas ansvariga för funktionsstörningar eller olyckor som inträffar på grund av att fel köldmedel används.

### ⚠ Observera:

- Använd inte enhetens kylmedelsrörledningar.
  - Det gamla kylmedlet och kyloljan i enhetens rörledningar innehåller en stor mängd klor som kan få kyloljan i den nya enheten att försämrans.
  - R410A är ett högtryckskylmedel och kan orsaka existerande ledningar att gå sönder.
- Använd kylmedelsledningar av avoxiderad fosforkoppar av typ C1220 (Cu-DHP) enligt specifikationerna i JIS H3300 "Sömlösa rör och av koppar och kopparlegering". Se dessutom till att rörledningarnas in- och utvändiga ytor är rena och fria från svavel, oxider, damm/smuts, avnötta partiklar, oljor, fukt eller andra skadliga föroreningar.
  - Föroreningar på kylmedelsrörledningarnas insida kan få restkyloljan att försämrans.
- Förvara de rörledningar som ska användas vid installationen inomhus och ha dess bägge ändar förslutna ända tills alldeles innan hårdlödningen. (Förvara knän och andra leder i en plastpåse.)
  - Om damm, smuts eller vatten kommer in i kylmedelscykeln finns det risk för att oljan försämrans och problem med kompressorn kan uppstå.
- Använd esterolja, eterolja eller alkylbensen (en liten mängd) som kylolja för att lägga flänsarna och flänsanslutningarna.
  - Kyloljan försämrans om den blandas med en större mängd mineralolja.
- Fyll systemet med flytande kylmedel.
  - Om gaskylmedel används för att tätta systemet förändras sammansättningen av kylmedlet i cylindern och enhetens prestanda kan försämrans.
- Använd inte något annat kylmedel än R410A.
  - Om ett annat kylmedel (t.ex. R22) blandas med R410A kan kloreten i kylmedlet leda till att kylmedelsoiljan försämrans.
- Använd en vakuumpump med en backflödesventil.
  - Vakuumpumpoljan kan strömma tillbaka till kylcykeln så att kyloljan försämrans.
- Använd inte följande verktyg som används med konventionella kylmedel. (Mätgrenrör, laddningsslang, gasläckagedetektor, backflödesventil, kylmedelsladdningsbas, kylmedelsåtervinningsutrustning)
  - Om det konventionella kylmedlet och kylolja blandas i R410A kan kylmedlet komma att försämrans.
  - Om vatten blandas i R410A kan kylmedlet komma att försämrans.
  - R410A innehåller inte något klor. Gasläckagedetektorer för konventionella kylmedel reagerar inte på det.
- Använd inte en laddningscylinder.
  - Användning av en laddningscylinder kan försämrans kylmedlet.
- Var särskilt försiktig vid hantering av verktygen.
  - Om damm, smuts eller vatten kommer in i kylmedelscykeln kan kylmedlet försämrans.

## 1.3. Före installationen

### ⚠ Observera:

- Installera inte enheten där brännbar gas kan läcka ut.
  - Om gasen läcker ut och samlar sig runt enheten finns det risk för en explosion.
- Använd inte luftkonditioneraren där livsmedel, växter, precisionsinstrument eller konstverk förvaras, eller där djur uppehåller sig.
  - Kvaliteten kan komma att försämrans.
- Använd inte luftkonditioneraren i specialmiljöer.
  - Olja, ånga, svavelhaltig rök och liknande kan försämrans luftkonditionerarens prestanda i hög grad eller skada dess delar.
- Sörj för tillräcklig ljudisolering när enheten installeras på sjukhus, i kommunikationsmiljöer eller på liknande platser.
  - Växelriktare, privata elgeneratorer, medicinsk utrustning med hög frekvens och radiokommunikationsutrustning kan få luftkonditioneraren att fungera på felaktigt sätt eller inte fungera alls. Luftkonditioneraren kan i sin tur påverka sådan utrustning genom att ge upphov till brus som stör medicinsk behandling eller bildöverföring.
- Installera inte enheten på en struktur som kan ge upphov till läckage.
  - Om fuktigheten i rummet överstiger 80%, eller om avloppsroret är igensatt, kan kondensat droppa från inomhusenheten. Utför dräneringsarbeten tillsammans med enheten när det behövs.

## 1.4. Före installation (flyttning) - elarbete

### ⚠ Observera:

- Jorda enheten.
  - Anslut inte jordledaren till gas- eller vattenledning, åskledarstänger eller telefonjordningsledningar. Felaktig jordning medför risk för elektriska stötar.
- Installera nätkabeln så att eventuella dragbelastningar inte belastar kabeln.
  - Dragbelastningar kan leda till att kabeln går av och generera värme och ge upphov till brand.
- Installera en läckagekrets brytare vid behov.
  - Om läckagekrets brytare inte installeras finns det risk för elektriska stötar.
- Använd elkablar med tillräcklig strömförsörjningskapacitet och rätt data.
  - För små kablar kan läcka och ge upphov till brand.
- Använd bara krets brytare och säkring med specificerad kapacitet.
  - En säkring eller krets brytare med större kapacitet, eller en stål- eller koppartråd, kan leda till allmänt fel på enheten eller leda till brand.
- Tvätta inte luftkonditioneringsenheterna.
  - Tvättning kan leda till elektriska stötar.
- Var försiktig så att installationsbasen inte skadas efter lång tids användning.
  - Om skadan inte åtgärdas kan enheten falla ner och orsaka skador på personer eller utrustning.
- Installera avloppsledningen enligt denna installationshandbok för att säkerställa korrekt dränering. Klä in rörledningarna med värmeisoleringsmaterial för att förhindra kondensering.
  - Fel på avloppsledningen kan orsaka vattenläckage och skador på möbler och andra tillhörigheter.
- Var ytterst försiktig vid transport av produkten.
  - Bär inte produkten ensam om den väger mer än 20 kg.
  - För en del produkter används PP-band för emballeringen. Använd inte PP-band för transporter. Det är farligt att göra det.
  - Stöd enheten på de angivna platserna på enhetens bar vid transport. Stöd dessutom enheten på fyra punkter så att den inte kan glida i sidled.
- Ta hand om det använda förpackningsmaterialet på ett säkert sätt.
  - Sådant emballagematerial som spikar och andra metall- och trädelar kan vålla stickskador och andra skador.
  - Riv sönder och kasta emballageplastpåsar så att barn inte kan leka med dem. Det finns risk för kvävning om barn leker med plastpåsar.

## 1.5. Före testkörningen

### ⚠ Observera:

- Felkoden "7130" visas när följande villkor uppfylls.
  - PWFY-enheten är ansluten till en utomhusenhet i Y-serien.
  - Programvaruversionen är en av dem som listas nedan.  
PWFY-serien: tidigare än Ver. 1.13  
Y(YHM)-serien: tidigare än Ver. 12.27  
Y(YJM)-serien: tidigare än Ver. 1.31  
Replace Y(YJM)-serien: tidigare än Ver. 11.31  
HP(ZUBADAN)-serien: tidigare än Ver. 22.27  
WY-serien: tidigare än Ver. 12.29
- Slå på strömmen minst 12 timmar innan körningen inleds.
  - Om körningen inleds direkt efter det att huvudströmbrytaren slagits på finns det risk för allvarliga skador på invändiga delar. Ha strömbrytaren påslagen hela tiden under användningssäsongen.
- Rör inte omkopplarna med våta händer.
  - Att ta på en omkopplare med våta händer medför risk för elektriska stötar.
- Ta inte på kylmedelsrörledningarna under och direkt efter användning.
  - Under och direkt efter användning är kylmedelsrörledningarna antingen varma eller kalla, beroende på tillståndet hos det kylmedel som flyter genom dem, kompressorn och andra delar av kylcykeln. Händerna kan brännas eller bli köldskadade om du tar på kylmedelsrörledningarna.
- Kör inte luftkonditioneraren med paneler och skydd borttagna.
  - Roterande delar, varma delar och högspänningsdelar medför risk för personskador.
- Stäng inte av strömmen omedelbart efter avslutad användning.
  - Vänta alltid minst fem minuter innan du slår av strömmen. Annars finns det risk för vattenläckage och andra problem.
- Vidrör inte ytan på kompressorn vid tillsyn.
  - Om enheten är ansluten till tillflödet men inte körs, är värmaren vid vevhuskåpan vid kompressorns igång.
- Vidrör inga paneler nära fläktutblås med bara händer. De kan bli väldigt varma när enheten är i drift (även eget att den stannat) eller direkt efter drift och innebär en risk för brännskador. Använd handskar för att skydda dina händer när du måste vidröra paneler.
- När enheten är i drift eller direkt efter drift kan det förekomma att luft av mycket hög temperatur blåser ut från fläktutblås. Håll inte dina händer ovanför utblåset eller vidrör paneler nära utblåset.
- Se till att det finns rum för utblåst luft från fläkten.
- Vattenledningarna kan bli väldigt varma beroende på inställd temperatur. Linda vattenledningarna med isolerande material för att förebygga brännskador.

## 2. Om produkten

### ⚠ Varning:

- Använd inget annat köldmedel än den typ som anges i bruksanvisningen som medföljer enheten och på namnskytten.
  - Det kan i så fall orsaka att enheten eller rören spricker, eller orsaka explosion eller brand under användning, reparation, eller vid kasserandet av enheten.
  - Det kan även vara ett brott mot tillämpliga lagar.

- MITSUBISHI ELECTRIC CORPORATION kan inte hållas ansvariga för funktionsstörningar eller olyckor som inträffar på grund av att fel köldmedel används.
- Den här enheten använder kylmedel av typ R410A.
- Rörledningar för system med R410A kan vara annorlunda än för system som använder konventionella kylmedel, eftersom det konstruerade trycket i system med R410A är högre. Se databoken för mer information.

- En del av verktygen och utrustningen som används vid installation av system som använder andra typer av kylmedel kan inte användas till system som använder R410A. Se databoken för mer information.
- Använd inte befri ntliga rörledning. De innehåller klor, som finns i olja och kylmedel för konventionella kylmaskiner. Detta klor gör att kylmaskinolja i den nya

utrustningen försämras. Befri ntliga rörledning får inte användas eftersom det konstruerade trycket i system med R410A är högre än i system med andra typer av kylmedel, och de befri ntliga rörledningarna kan därför sprängas.

## 3. Specifikationer

### ⚠ Varning:

Använd inget annat köldmedel än den typ som anges i bruksanvisningen som medföljer enheten och på namnskylden.

- Det kan i så fall orsaka att enheten eller rören spricker, eller orsaka explosion eller brand under användning, reparation, eller vid kasserandet av enheten.
- Det kan även vara ett brott mot tillämpliga lagar.
- MITSUBISHI ELECTRIC CORPORATION kan inte hållas ansvariga för funktionsstörningar eller olyckor som inträffar på grund av att fel köldmedel används.

Modell		PWFY-P100VM-E-BU	PWFY-P100VM-E1-AU	PWFY-P200VM-E1-AU
Ljudnivå		44dB<A>	29dB<A>	29dB<A>
Kylmedel		R134a × 1,1 kg	-	-
Nettovikt		60 kg	35 kg	38 kg
Dimensionerat tryck	R410A MPa	4,15	4,15	4,15
	R134a MPa	3,60	-	-
	Water MPa	1,00	1,00	1,00
Anslutningsbar Utomhusenhet	Total kapacitet	50~100 % av utomhusenhetens kapacitet		Anslutningsbar till endast en utomhusenhet
	Modell/kvantitet	Endast R2, Replace R2-serien, WR2-serien	Y, Replace Y-serien, HP(ZUBADAN)-serien, WY-serien, R2, Replace R2-serien, WR2-serien	PUMY-P-V/YHMB(-BS)
Temperatur-område Uppvärmning	Utomhustemperatur	-20~32 °CWB (59~90 °F)	-20~32 °CWB (-4~90 °F) PURY - serier -20~15,5 °CWB (-4~60 °F) PUHY - serier	-15~21 °CDB (5~70 °F), -15~15 °CWB (5~59 °F)
	Inkommande vattentemperatur	10~70 °C (50~158 °F)	10~40 °C (50~104 °F)	10~45 °C (50~113 °F)
Temperatur-område Nedkylning	Utomhustemperatur	-	-5~43 °CDB (23~110 °F) PURY - serier -5~43 °CDB (23~110 °F) PUHY - serier	-
	Inkommande vattentemperatur	-	10~35 °C (50~95 °F)	-

## 4. Bekräftelse av tillhörande delar

- ① Sil      ② Värmeisolering      ③ Anslutning uppsättningar × 2      ④ Förlängningskoppling × 2 (PWFY-P200VM-E1-AU)      ⑤ Ledning      ⑥ Flödesomkopplare (PWFY-P100/P200VM-E1-AU)

## 5. Lyftmetod

### ⚠ Observera:

Var mycket försiktig vid förflyttning av produkten.

- En person får inte bära produkten ensam om den väger mer än 20 kg.
- PP-band används för att packa vissa produkter. De får inte användas för transport eftersom de är farliga.
- Riv sönder emballageplastpåsen och kasta den så att barn inte kan leka med den. Emballageplastpåsen kan orsaka att barn kvävs till döds.

## 6. Installation av enhet och serviceutrymme

### 6.1. Installation

- Använd förankringshålen som visas i figuren nedan, och fäst enheten genom att dra åt muttrarna i bottenplattan.

[Fig. 6.1.1] (P.2)

Ⓐ 4-ø14 (förankringshål)

Ⓑ (Sett ovanifrån)

#### Botten

- Se till att installera enheten på en plats som är tillräckligt stark för dess vikt. Om botten är instabil, ska den förstärkas med en betongbotten.
- Enheten ska skruvas fast på en plan yta. Använd ett vattenmått för att kontrollera efter installationen.
- Om enheten ska placeras nära ett rum som inte får utsättas för störande ljud, rekommenderas bruk av en vibrationsdämpande ställning på botten.

### ⚠ Varning:

- Se till att installera enheten på en plats som är tillräckligt stark för dess vikt. Om platsen inte är tillräckligt stabil kan det orsaka att enheten välter, vilket kan leda till personskada.
- Installationsarbetet ska göras efter anvisningarna för att klara jordbävningar. Brister i installationen kan orsaka att enheten välter, vilket kan leda till personskada.

### 6.2. Serviceutrymme

- Se till att det finns tillräckligt med utrymme för service efter installationen. (All service kan utföras stående framför enheten)

[Fig. 6.2.1] (P.2)

Modell	a	b	c
PWFY-P100VM-E-BU	400	300	600
PWFY-P100VM-E1-AU	400	300	600
PWFY-P200VM-E1-AU	400	300	600

Ⓐ Rörutrymme (höger sida)

Ⓑ Sett ovanifrån

Ⓒ Serviceutrymme (framsida)

## 7. Installation av vattenrör

- Före en lång tid utan användning, håll ut vattnet i ledningarna och låt dem torka ordentligt.
- Använd en sluten vattenkrets.
- När enheten är i kyläge bör du tillsätta saltlake i cirkulationsvattnet för att förhindra förfrysning.
- DipSW 1-10 måste vara inställd på PÅ om du ska använda saltlake i systemet.
- När den är installerad på en plats med låg omgivande temperatur, se till att vattnet cirkulerar hela tiden. Om det inte går, håll ut vattnet helt från ledningarna eller fyll vattenledningarna med saltlake.
- Använd inte vatten som använts för denna enhet till att dricka eller vid matlagning.
- Använd inte ställedningar som vattenledning.

Modell	Vattenintag	Vattenutsläpp
PWFY-P100VM-E-BU	PT 3/4 skruv	PT 3/4 skruv
PWFY-P100VM-E1-AU	PT 3/4 skruv	PT 3/4 skruv
PWFY-P200VM-E1-AU *1 När de medföljande förlängningskopplingarna är installerade.	PT 1 skruv*1	PT 1 skruv*1

### 7.1. Försiktighetsmått vid installation

- Använd tvårorssystem (reverse-return metod) så att det blir jämnt tryck i rören till varje enhet.
- För enkelt underhåll, inspektion och utbyte av enheten, använd korrekta skarvar, ventiler etc. på porten för vattenintag och vattenutlopp. Se dessutom till att sätta in ett reningsfilter på vattenintagsröret. (För god skötsel av enheten är ett reningsfilter på cirkulationsvattenintaget nödvändigt.)
- Installera en lämplig avluftare på vattenröret. Efter att ha släppt på vatten genom rören, måste de avluftas.
- Det kan ske bildning av kondensvatten i lågtemperatursektioner av enheten. Använd dräneringsröret som sitter på dräneringsventilen på nederdelen av enheten för att dränera vattnet.
- Installera en återsugningsskyddsventil på pumpen och flexibla skarvar för att förhindra att det vibrerar i onödan.
- Använd en muff för att skydda rören vid genomföringar i väggar.
- Använd metallbeslag för att låsa fast rören, och installera dem på så vis att de skyddas mot att tryckas eller böjas sönder.
- Blanda inte ihop ventilerna för vattenintag och vattenutlopp.
- Denna enhet har inget värmare för att skydda rören från att frysa igen. När vattenflödet stoppas i låga temperaturen, ska ledningarna tömmas på vatten.
- De knockouthål som inte används ska tillslutas och öppningen på rör för köldmedium, vattenrör, ledningar för strömförsörjning och överföring ska igentäckas med kitt eller annat för skydd mot vatten.
- Installera silen med 45° eller mindre som visas i [Fig. 7.1.2].
- Linda lite förseglingstejp runt skruvdelen för att förhindra vattenläckage.
- Linda tätningstejpen enligt följande.
  - ① Linda fogen med tätningstejp i gängornas riktning (medurs), och låt inte tejpen sticka upp över kanten.
  - ② Låt tätningstejpen överlappa sig själv cirka två tredjedelar till tre fjärdedelar av tejpbredden på varje varv. Pressa tejpen med fingrarna så att den sitter stadigt fast på varje gänga.
  - ③ Låt de 1,5 till 2 sista gängorna vara olindade.

② Vattenkvalitetsstandard

Beskrivning	Vattensystem av lägre mellantemperatur Vattentemp ≤ 60 °C		Vattensystem av högre mellantemperatur Vattentemp > 60 °C		Tendens	
	Återcirkulerande vatten	Tillsatsvatten	Återcirkulerande vatten	Tillsatsvatten	Korrosiv	Avlagring
pH (25 °C)	7,0 ~ 8,0	7,0 ~ 8,0	7,0 ~ 8,0	7,0 ~ 8,0	○	○
Elektrisk konduktivitet (mS/m) (25 °C) (μs/cm) (25 °C)	30 eller mindre [300 eller mindre]	30 eller mindre [300 eller mindre]	30 eller mindre [300 eller mindre]	30 eller mindre [300 eller mindre]	○	○
Kloridjon (mg Cl/l)	50 eller mindre	50 eller mindre	30 eller mindre	30 eller mindre	○	
Sulfatjon (mg SO <sub>4</sub> <sup>2-</sup> /l)	50 eller mindre	50 eller mindre	30 eller mindre	30 eller mindre	○	
Syraförbrukning (pH4,8) (mg CaCO <sub>3</sub> /l)	50 eller mindre	50 eller mindre	50 eller mindre	50 eller mindre		○
Total hårdhet (mg CaCO <sub>3</sub> /l)	70 eller mindre	70 eller mindre	70 eller mindre	70 eller mindre		○
Kalciumhårdhet (mg CaCO <sub>3</sub> /l)	50 eller mindre	50 eller mindre	50 eller mindre	50 eller mindre		○
Löst kisel (mg SiO <sub>2</sub> /l)	30 eller mindre	30 eller mindre	30 eller mindre	30 eller mindre		○
Järn (mg Fe/l)	1,0 eller mindre	0,3 eller mindre	1,0 eller mindre	0,3 eller mindre	○	○
Koppar (mg Cu/l)	1,0 eller mindre	1,0 eller mindre	1,0 eller mindre	1,0 eller mindre	○	
Sulfitjon (mg S <sup>2-</sup> /l)	kan inte detekteras	kan inte detekteras	kan inte detekteras	kan inte detekteras	○	
Ammoniumjon (mg NH <sub>4</sub> <sup>+</sup> /l)	0,3 eller mindre	0,1 eller mindre	0,1 eller mindre	0,1 eller mindre	○	
Restklor (mg Cl/l)	0,25 eller mindre	0,3 eller mindre	0,1 eller mindre	0,3 eller mindre	○	
Fri koldioxid (mg CO <sub>2</sub> /l)	0,4 eller mindre	4,0 eller mindre	0,4 eller mindre	4,0 eller mindre	○	
Ryznar stabilitetsindex	-	-	-	-	○	○

Referens: Riktlinjer för vattenkvalitet för kyl- och luftkonditioneringsutrustning. (JRA GL02E-1994)

- Installera medföljande sil i vattenintaget.
- Håll i ledningen på enhetsviden på plats med en rörtång när du installerar ledningar eller silen. Dra åt skruvarna med ett moment av 50 N·m.
- Vattenledningarna kan bli väldigt varma beroende på inställd temperatur. Linda vattenledningarna med isolerande material för att förebygga brännskador.
- På modellen PWFY-P200VM-E1-AU, installera förlängningskopplingen (tillval) vid inloppet efter att ha installerat silen och utsläppet.

#### Exempel på en enhetsinstallation (med vattenledningar)

[Fig. 7.1.1] (P.2)

- Ⓐ Stängningsventil
- Ⓑ Vattenintag
- Ⓒ Vattenutlopp
- Ⓓ Rör för köldmedium
- Ⓔ Y-format reningsfilter
- Ⓕ Avloppsledning
- Ⓖ Förlängningskoppling

## 7.2. Isoleringsarbete

Ytemperaturen på vattenledningen kan bli väldigt hög beroende på inställd temperatur. Isolera ledningen för att förebygga brännskador. När PWFY-P100/P200VM-E1-AU körs med kallt vatten, isolera vattenledningarna för att förebygga kondens. Linda isoleringsmaterial runt ledningarna som visas i [Fig. 7.2.1].

- Alla rör för värmekälla.
- Inomhusrör i områden med kallt klimat där igenfrysning är ett problem.
- När luft utifrån orsakar fuktbildning på rören.
- Alla dräneringsrör.

[Fig. 7.2.1] (P.2)

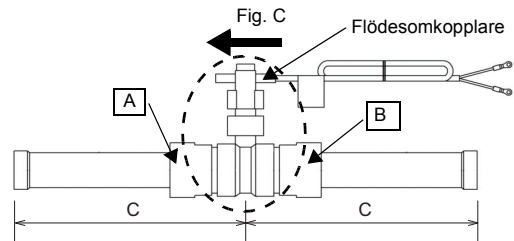
- Ⓐ Värmeisolering (tillval)
- Ⓑ Injicera med tätningmaterial

## 7.3. Vattenbehandling och vattenkvalitetskontroll

För att bibehålla vattnets kvalitet använd en sluten typ av vattenkrets. När kvaliteten på cirkulationsvattnet är dålig, kan det bildas avlagringar i värmeväxlaren, vilket leder till försämrade värmeöverföringsförmåga och möjlig korrosion av värmeväxlaren. Se till att ombesörja vattenbehandling och vattenkvalitetskontroll vid installation av vattencirkulationssystemet.

- Borttagning av främmande föremål eller orenheter inuti rören.
- Var försiktig så att inga främmande föremål, som svettssloppor, partiklar från tätningemedel, eller rost, kommer in i rören under installationen.
- Behandling för vattenkvalitet
  - ① Beroende på kvaliteten på vattnet kan det hända att kopparrören i värmeväxlaren korroderas. Vi rekommenderar regelbundna behandlingar för vattenkvalitet. Cirkulationssystem för vatten som använder öppna värmelagringstankar är särskilt känsliga för korrosion. När en värmelagringstank av öppen typ används, installera en vatten-till-vatten värmeväxlare, och använd en krets med sluten slinga vid luftkonditioneraren. Om en vattenförrådstank installeras, ska kontakten med luft hållas till ett minimum, och nivån på löst syre i vattnet får inte vara högre än 1mg/l.

- ③ Var god rådfråga en specialist på kontroll av vattenkvalitet om metoder för kontroll av vattenkvalitet före användning av korrosionsskyddsåtgärder för hantering av vattenkvalitet.
- ④ Vid byte av en tidigare installerad luftkonditioneringsdel (även om det endast är värmeväxlaren som byts ut), gör först en analys av vattenkvaliteten och se om det möjligen finns korrosion. Korrosion kan uppstå i kallvattensystem även om det inte har funnits några tidigare tecken på korrosion. Om nivån på vattenkvaliteten har sjunkit, måste vattenkvaliteten förbättras i tillräcklig grad innan enheten byts ut.



## 7.4. Förregling av pump

Gör så här om du vill genomföra en provkörning innan pumpens förreglingskrets har anslutits: Kortslut stiftplinten TB142A (IN1) och genomför sedan en provkörning. Enheten kan skadas om den körs utan cirkulerande vatten i ledningarna.

<PWFY-P100VM-E-BU>

Se till att förregla driften av enheten och cirkulationspumpen. Använd anslutningsblocken för förregling TB142A (IN1) som finns på enheten.

[Fig. 7.4.1] (P.2)

<PWFY-P100/200VM-E1-AU>

<Förregling av pump>

I system som inkluderar PWFY-P100/P200VM-E1-AU kan cirkulationsvattnet frysa och detta kan leda till tekniska fel. Genomför en elektrisk installation som visas i [Fig. 7.4.2] för att förhindra att vattnet fryser.

<Flödesomkopplare>

När du installerar enheten, se till att installera den medföljande flödesomkopplaren på enhetens vattenutloppssida och anslut ledningen till IN1 på TB142A på enheten.

Om flödesomkopplaren inte är installerad sänder enheten ut felsignalen (2100: Förreglingsfel) och slutar fungera.

\* En kortslutningsledning medföljer, men den är endast för testkörning.

<Installationsprocedure>

① Avlägsna rören som sitter fast på flödesomkopplaren.

Obs: Enheten levereras med rören löst fastsatta.

② Linda isoleringstejp runt gängorna i slutet av rören, med start från den 1,5:e eller 2:a gängan, och inte över öppningarna. Linda två till tre varv i rörgängornas riktning (medurs). Varje varv för tejpens bör överlappa det som är innan med 2/3 till 3/4 av tejpens bredd. För dina fingrar runt gängorna och tejpens för att trycka in tejpens i gängorna.

Fäst sedan rören till flödesomkopplaren medan du håller fast delarna A och B med en skruvnyckel.

Det maximala åtdragningsmomentet är 60 N·m (611 kgf·cm).

③ Fäst flödesomkopplaren och rören till vattenutloppet i horisontell position. Röraxelvinkeln skall vara mindre än 45 grader.

Kontrollera flödesomkopplarens riktning så som visas i Fig. C.

④ Anslut flödesomkopplarens ledning till IN1 på TB142A.

	C
PWFY-P100VM-E1-AU	175 mm
PWFY-P200VM-E1-AU	205 mm

Ställ in DipSW enligt anvisningarna i tabellen nedan.

DipSW3-6	Extern utmatningskontakt
PÅ	Fungerar när Termo-PÅ
AV	Fungerar när Drift-PÅ (Fjärrkontroll PÅ)

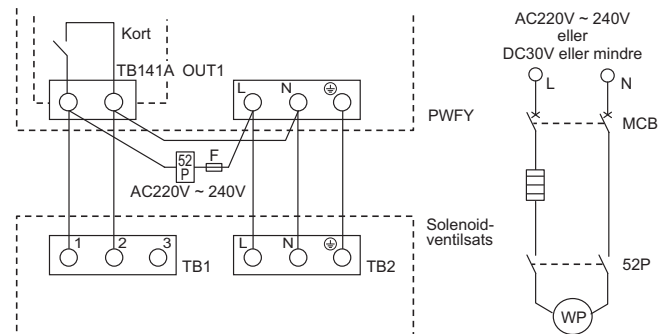
Försäkra dig om att strömmen till pumpen är påslagen eftersom kontrollen inte fungerar om strömmen till pumpen är avslagen.

<PAC-SV01PW-E>

Anslut ledningarna så som visas på [Fig. 7.4.3] när du förreglar pumpfunktionen med andra enheter OCH ansluter en Solenoid-ventilsats (PAC-SV01PW-E) till ett system som innefattar Y-serie- och HP(ZUBADAN)-serie-utomhusenheter, inomhusenheter, och PWFY-P100/P200VM-E1-AU.

Ställ in Dip SW3-6 till ON (PÅ). Se till så att versionen av programvaran är 1.18 eller senare.

[Fig. 7.4.3]



F: Säkring

52P: Magnetisk kontaktor för värmekällvattenpump

MCB: Kretsbrytare

WP: Vattenpump

## 8. Specifikationer för kylmedelsledningar och avloppsledningar

Undvik daggdroppsbildning genom tillräckliga skydds- och isoleringsåtgärder på kylmedels- och avloppsledningarna.

Om kommersiellt tillgängliga kylmedelsledningar används måste de förses med kommersiellt isoleringsmaterial (med en värmebeständighetstemperatur på över 100 °C och en tjocklek enligt nedan) på såväl vätske- som gasledning.

① Välj tjocklek på isoleringsmaterialet på basis av rörledningens tjocklek.

Modell	PWFY-P100VM-E-BU	PWFY-P100VM-E1-AU	PWFY-P200VM-E1-AU
Gas	ø15,88	ø15,88	ø19,05
Vätska	ø9,52	ø9,52	ø9,52
Avlopp		ø32	
Isoleringsmaterialets tjocklek	Mer än 10 mm		

② Om enheten används allra högst upp i en byggnad, och under förhållanden med hög temperatur och hög luftfuktighet, så är det nödvändigt att använda rörledningar och isoleringsmaterial med större diametrar än vad som anges i tabellen ovan.

③ Följ kundens specifikation om det finns sådana.

### 8.1. Kylmedelsledning, avloppsledning och påfyllningsöppning

[Fig. 8.1.1] (P.3)

- Ⓐ Kylmedelsledning (gas)
- Ⓒ Vattenintag
- Ⓔ Avtappningsutsläpp

- Ⓑ Kylmedelsledning (vätska)
- Ⓓ Vattenutlopp
- \*1: PWFY-P100/200VM-E1-AU

## 9. Ansluta kylmedelsrörledningar och avloppsrörledningar

### 9.1. Kylmedelsrörledningarna

Rörledningsarbetet måste utföras i enlighet med installationshandböckerna för såväl utomhusenheten som BC-styrenheten (samtidig kylning och uppvärmning, serie R2).

- Serie R2 är avsedd för system där kylmedelsrörledningen från en utomhusenhet kommer till BC-styrenheten och förgrenar sig där för att ansluta mellan inomhusenheter.
- Se handboken för utomhusenheten för information om begränsningar med avseende på rörlängd och tillåten höjdskillnad.
- Rörledningarna ansluts med hårdlödning.

#### ⚠ Observera:

- **Installera kylmedelsrörledningen för inomhusenheten enligt följande.**

1. Kapa av spetsen på inomhusenhetens rörledning, koppla bort gasen och ta sedan bort det hårdlödda locket.

[Fig. 9.1.1] (P.3)

- Ⓐ Kapa här
- Ⓑ Ta av det hårdlödda locket

2. Dra ut värmeisoleringen på den fasta kylmedelsrörledningen, hårdlöd enhetens rörledning och sätt tillbaka isoleringen i den ursprungliga positionen. Linda om rörledningen med isoleringstejp.

#### OBS:

- **Var mycket försiktig när du lindar om kopparrörledningarna eftersom omlindningen annars kan orsaka kondensering i stället för att förhindra kondensering.**
- \* Före lödning av kylmedelsledningarna, **linda alltid ledningarna på huvudkroppen och värmeisoleringsledningarna, med fuktade trasor för att förebygga varmkrympning och förbränning av värmeisoleringsrören.** Var försiktig så att inte flammor kommer i direkt kontakt med huvudkroppen.

[Fig. 9.1.2] (P.3)

- Ⓐ Värmeisolering
- Ⓑ Dra ut isoleringen
- Ⓒ Linda om med en fuktig trasa
- Ⓓ Återför till originalpositionen
- Ⓔ Kontrollera att det inte blir något mellanrum här
- Ⓕ Linda om med isoleringstejp

### Försiktighetsanvisningar för kylmedelsrörledningarna

- ▶ **Använd alltid icke-oxiderande hårdlödmedel för att säkerställa att främmande material eller fukt inte kommer in i rörledningen.**
- ▶ **Stryk på kylmaskinolja över anslutningens sätesyta och dra åt skarven med en dubbelyckel.**
- ▶ **Stöd kylmedelsrörledningen med en metallsträva så att vikten inte belastar inomhusenhetens ändrör. Placera metallsträvan 50 cm från inomhusenhetens flänsanslutning.**

#### ⚠ Varning:

- **Använd inget annat köldmedel än den typ som anges i bruksanvisningen som medföljer enheten och på namnskylten.**
  - Det kan i så fall orsaka att enheten eller rören spricker, eller orsaka explosion eller brand under användning, reparation, eller vid kasserandet av enheten.
  - Det kan även vara ett brott mot tillämpliga lagar.
  - MITSUBISHI ELECTRIC CORPORATION kan inte hållas ansvariga för funktionsstörningar eller olyckor som inträffar på grund av att fel köldmedel används.
- **Fyll inte enheten med annat kylmedel (R407C eller R22) än det som specificeras på den när den installeras och flyttas.**
  - Blandning med annat kylmedel, luft eller annat kan leda till fel på kylcykeln och medför risk för svåra skador.

#### ⚠ Observera:

- **Använd kylmedelsledningar av avoxiderad fosforkoppar av typ C1220 (Cu-DHP) enligt specifikationerna i JIS H3300 "Sömlösa rör av koppar och kopparlegering". Se dessutom till att rörledningarnas in- och utvändiga ytor är rena och fria från svavel, oxider, damm/smuts, avnötta partiklar, oljor, fukt eller andra skadliga föroreningar.**
- **Använd aldrig befintliga kylmedelsrörledningar.**

- Den stora mängden klor i konventionella kylmedel och kylmedelsolja i befintliga rörledningar försämrar det nya kylmedlet.
- **Förvara de rörledningar som ska användas vid installationen inomhus och ha dess bägge ändar förslutna ända tills alldeles innan hårdlödningen.**
- Om damm, smuts eller vatten kommer in i kylmedelscykeln försämrar oljan och det finns risk för problem med kompressorn.

### 9.2. Avloppsledningarna

1. Avloppsledningen ska luta nedåt (lutning på mer än 1/100) till utsidan (utloppet). Det ska inte finnas någon fälla eller ojämnheter på vägen. (①)
2. Se till att eventuella tvärgående avloppsledningar är högst 20 m (exklusive höjdskillnaden). Om avloppsledningen är lång ska den förses med metallsträvor så att den inte kan gunga. Avluftningsrör får inte användas. Avloppet kan annars komma ut.
3. Använd ett hårt vinylkloridrör av typ VP-25 (med en ytterdiameter på 32 mm) till avloppsledningen.
4. Kontrollera att de samlade rörledningarna befinner sig 10 cm under enhetens avloppsöppning som visas i ②.
5. Använd inte någon luktfälla vid avloppsöppningen.
6. Placera avloppsledningens ände i en position där ingen lukt genereras.
7. Placera inte änden på avloppsledningen i ett avlopp där joniska gaser genereras.

[Fig. 9.2.1] (P.3)

- Ⓐ Lutning nedåt minst 1/100
- Ⓑ Avtappningsslang
- Ⓒ Enhet
- Ⓓ Gemensam rörledning
- Ⓔ Maximera denna längd till cirka 10 cm

### 9.3. Elanslutningar

Kontrollera att modellnamnet i driftsinstruktionerna på omslaget till kontrolldosan är samma som modellnamnet på namnskylten.

#### Steg 1

Avlägsna skruvarna som håller locket till anslutningsdosan på plats.

[Fig. 9.3.1] (P.3)

- Ⓐ Skruvar
- Ⓑ Frontplatta
- Ⓒ Kontrolldosan

#### OBS:

**Se till att ledningarna inte kläms då du fäster locket till anslutningsdosan. Om ledningarna kläms kan de gå av.**

#### ⚠ Observera:

**Dra ledningen så att den inte blir för sträckt och hårdragen. Spända ledningar kan gå sönder, överhettas eller brännas.**

- Fäst strömförsörjningens externa in-/utledning till kontrolldosan med en buffertbussning för dragkraft för att förebygga elektrisk stöt. (PG-anslutning eller liknande.) Anslut överföringsledningen till överföringskopplingsblocket genom det förberedda hålet i kontrolldosan med en vanlig bussning.
- Kontrollera på nytt att det inte finns något slack när ledningsdragningen är klar, och placera locket på kontrolldosan i omvänd ordning mot borttagningen.

[Fig. 9.3.2] (P.3)

- Ⓐ Använd buffertbussningar så som PG-anslutningar eller liknande för att förebygga att utvändiga dragkrafter påverkar kabelanslutningssektionen i strömförsörjningens kopplingsblock.
- Ⓑ Inkabel för extern signal.
- Ⓒ Ut-kabel för extern signal.
- Ⓓ Elkabel
- Ⓔ Dragkraft
- Ⓕ Använd den vanliga bussningen
- Ⓖ Överföringskabel och MA-fjärrkontrollkabel

#### ⚠ Observera:

**Dra ledningarna för strömförsörjningen så att ingen sträckning uppstår. Annars kan urkoppling, uppvärmning eller brand uppstå.**

## 10. Elledningar

### Försiktighetsåtgärder för elledningar

#### ⚠ Varning:

Elarbeten ska alltid utföras av behöriga elektriker i enlighet med "Engineering Standards For Electrical Installation" och tillhandahållna installationshandböcker. Dessutom ska specialkretsar användas. Risk för elektriska stötar eller brand om elkretsen har för låg kapacitet eller ett installationsfel.

- Se till att ta ström från den speciella grenkretsen.
- Installera en läckströmsbrytare i elkretsen.
- Installera enheten så att styrkretsens kablar (fjärrkontroll, överföringskablar eller externa in-/utledningar) inte kommer i direktkontakt med elkabeln utanför enheten.
- Kontrollera att det inte finns något slack i trådanslutningarna.
- En del kablar (ström, fjärrkontroll, överföringskablar eller extern in-/utledning) uppe i taket kan angripas av möss. Placera kablar i så många metallrör som möjligt för att skydda dem.

#### 1. Överföringskablar

PWFY-P100VM-E-BU

	Överföringskablar	MA-fjärrkontrollkablar	Extern inmatning	Extern utmatning
Typ av kabel	Skärmd kabel (2-kärnig) CVVS, CPEVS eller MVVS	Mantlad 2-ledarkabel (skärmd) CVVS	Mantlad flerledarkabel (skärmd) CVVS eller MVVS	Mantlad flerledarkabel (skärmd) CVVS eller MVVS
Kabeldiameter	Över 1,25 mm <sup>2</sup>	0,3 ~ 1,25 mm <sup>2</sup> (0,75 ~ 1,25 mm <sup>2</sup> )*1	0,3 ~ 0,5 mm <sup>2</sup>	0,3 ~ 1,25 mm <sup>2</sup>
Anmärkningar	-	Max längd: 200 m	Max längd: 100 m	Märkspänning: L1-N: 220 ~ 240 V Märklast: 0,6 A

PWFY-P100/200VM-E1-AU

	Överföringskablar	MA-fjärrkontrollkablar	Extern inmatning	Extern utmatning
Typ av kabel	Skärmd kabel (2-kärnig) CVVS, CPEVS eller MVVS	Mantlad 2-ledarkabel (skärmd) CVVS	Mantlad flerledarkabel (skärmd) CVVS eller MVVS	Mantlad flerledarkabel (skärmd) CVVS eller MVVS
Kabeldiameter	Över 1,25 mm <sup>2</sup>	0,3 ~ 1,25 mm <sup>2</sup> (0,75 ~ 1,25 mm <sup>2</sup> )*1	0,3 ~ 0,5 mm <sup>2</sup>	0,3 ~ 1,25 mm <sup>2</sup>
Anmärkningar	-	Max längd: 200 m	Max längd: 100 m	Märkspänning: L1-N: 220 ~ 240 V Märklast: 0,6 A

\*1 Ansluten med enkel fjärrkontroll.

CVVS, MVVS : PVC-isolerad PVC-hölje skärmd kontrollkabel

CVV, MVV : PVC-isolerad PVC-mantlad kontrollkabel

CPEVS : PE-isolerad PVC-hölje skärmd kommunikationskabel

- Anslut aldrig elkabeln till anslutningarna för överföringskablar. Om du gör det kan kablar gå sönder.
- Anslut styrkablar till inomhusenheten, fjärrkontrollen och utomhusenheten.
- Se till att jorda enheten.
- Välj styrkablar på basis av de förhållanden som redovisas på sidan 151.

#### ⚠ Observera:

Var noga med att placera enheten på marken intill utomhusenheten. Anslut inte jordkabeln till en gasledning, vattenledning, åskledarstång eller telefonjordsordningskabel. Otillräcklig jordning medför risk för elektriska stötar.

### Typer av styrkablar

#### 1. Överföringskablar

- Typer av överföringskablar  
Välj kablar med hjälp av uppställningen nedan <Tabell 1>.
- Se till att använda kablar som medföljer med tilläggsisolering.

## 10.1. Strömförsörjningsledning

- Strömförsörjningsledningarna för apparater ska inte vara under 245 IEC 57 eller 227 IEC 57.
- Luftkonditioneringsinstallationen ska ha en kontaktseparering på minst 3 mm för varje pol.

### ELEKTRISKA ARBETEN

#### 1. Elektriska egenskaper

Modell	Strömförsörjning				Kompressor		RLA (A)
	Hz	Spänningar	Spänningsområde	MCA (A)	Utmatning (kW)	SC (A)	Uppvärmning
PWFY-P100VM-E-BU	50/60	220-230-240 V	Max. 264 V Min. 198 V	15,71	1,0	1,25	11,63-11,12-10,66

Modell	Strömförsörjning				RLA (A)	
	Hz	Spänningar	Spänningsområde	MCA (A)	Nedkylning	Uppvärmning
PWFY-P100VM-E1-AU PWFY-P200VM-E1-AU	50/60	220-230-240 V	Max. 264 V Min. 198 V	0,085	0,068-0,065-0,063	

#### 2. Specifikationer strömkabel

Modell	Minimal ledningstjocklek (mm <sup>2</sup> )			Brytare för strömläckage	Lokal brytare (A)		Brytare för ledning (NFB) (A)
	Huvudkabel	förgrening	Jord		kapacitet	säkring	
PWFY-P100VM-E-BU	2,5	-	2,5	30 A 30 mA 0,1 s eller mindre	25	25	30

Modell	Total driftström	Minimal ledningstjocklek (mm <sup>2</sup> )			Brytare för strömläckage	Lokal brytare (A)		Brytare för ledning (NFB) (A)
		Huvudkabel	förgrening	Jord		kapacitet	säkring	
PWFY-P100VM-E1-AU	16 A eller mindre	1,5	1,5	1,5	20 A 30 mA 0,1 s eller mindre	16	16	20
PWFY-P200VM-E1-AU	25 A eller mindre	2,5	2,5	2,5	30 A 30 mA 0,1 s eller mindre	25	25	30
	32 A eller mindre	4,0	4,0	4,0	40 A 30 mA 0,1 s eller mindre	32	32	40

[Fig. 10.1.1] (P.4)

- Ⓐ Brytare för strömläckage
- Ⓑ Lokal brytare eller brytare för ledning
- Ⓒ PWFY-P100VM-E-BU
- Ⓓ PWFY-P100/200VM-E1-AU
- Ⓔ Draglåda

#### ⚠ Observera:

Använd alltid bara kapacitetsbrytare och säkring med rätt kapacitet. Användning av säkring, tråd eller koppartråd med en för hög kapacitet medför risk för felfunktion eller brand.

## 10.2. Ansluta fjärrkontrollkabeln och inomhus - och utomhusöverföringskablarna

(Fjärrkontroll går att köpa separat.)

- Anslut enhet TB5 och utomhusenhet TB3. (Icke-polariserad 2-ledare (skärmd)) "S":et på enhet TB5 är en skärmd ledningsanslutning. För specifikationer för anslutningskablarna hänvisar vi till installationshandboken för utomhusenheten.
- Installera fjärrkontrollen enligt anvisningarna i den handbok som medföljer den.
- Anslut "1" och "2" på enhet TB15 till en MA-fjärrkontroll. (Icke-polariserad 2-ledare)

### [Fig. 10.2.1] (P.4) MA-fjärrkontroll

- DC 10 till 13 V mellan 1 och 2 (MA-fjärrkontroll)

### [Fig. 10.2.2] (P.4) MA-fjärrkontroll

- MA-fjärrkontrollen kan inte användas samtidigt eller omväxlande.
  - Ⓐ Icke-polariserad
  - Ⓑ TB15 (MA-fjärrkontrollkablarna)
  - Ⓒ MA-fjärrkontroll
  - Ⓓ TB5 (Överföringskablarna)
  - Ⓔ TB2 (Strömförsörjningsledning)

#### OBS:

Se till att ledningarna inte kläms då du fäster locket till anslutningsdosan. Om ledningarna kläms kan de gå av.

#### ⚠ Observera:

- Använd ledning med extra isolering.
- Inmatning till TB142A, TB142B och TB142C får inte bära spänning.
- Kablar från utrustning ansluten till extern in-/utmatning måste ha extra isolering.
- Använd en enkel flerledarkabel för extern in-/utmatning för att möjliggöra anslutning till PG-skraven.

#### ⚠ Observera:

Dra ledningarna för strömförsörjningen så att ingen sträckning uppstår. Annars kan urkoppling, uppvärmning eller brand uppstå.

## 10.3. Funktion extern in-/utmatning

Förinställning av temperaturinmatning (extern analog inmatning: 4mA-20mA)

Extern inmatning matas in genom CN421, CN422 på kretskortet. (Fig 10.3.1)

Använd medföljande anslutning.

Om inga temperaturinställningar görs via MA-fjärrkontrollen ändras temperaturen med strömmen.

Se instruktionsboken som medföljde MA-fjärrkontrollen för information om hur man gör inställningarna.

4 mA → 10 °C      20 mA → 70 °C

#### OBS:

Använd en 4-20 mA-signalenhet med isolering.

#### Extern utmatningsport

Extern utmatningsport (se Fig 10.3.2) är obrukbar när kretsen är öppen.

Se Tabell 10.3.2 för information om varje kontakt.

Strömmen och spänningen i kretsen som ska anslutas till det externa utmatningsuttaget (TB141A OUT1) måste uppfylla följande krav.

Märkspänning för kontakt	Märkström för kontakt
AC250V	1A eller lägre
AC125V	3A eller lägre
DC30V	3A eller lägre

Tabell 10.3.2

OUT1	Drift ON/OFF
OUT2	Avfrostning
OUT3	Kompressor
OUT4	Felsignal

#### Extern inmatningsport

Ledningens längd måste vara mindre än 100 m.

Extern inmatningsport (se Fig 10.3.3) är obrukbar när kretsen är öppen.

Se Tabell 10.3.3 till 10.3.5 för information om varje kontakt.

Endast funktionen "pumpspärr" är ineffektiv när kretsen är kortsluten.

Anslut en relärets till den externa utmatningsporten som visas i Fig 7.4.1.

Specifikationerna för reläkretsen som ska anslutas måste uppfylla följande villkor.

Kontakt märkspänning  $\geq$  DC15V

Kontakt märkström  $\geq$  0,1A

Minimal applicerbar belastning  $\leq$  1mA vid DC

#### Tabell 10.3.3

<PWFY-P100VM-E-BU>

TB142A

IN1	Pumpspärr
-----	-----------

<PWFY-P100/200VM-E1-AU>

TB142A

IN1	Flödesomkopplare
-----	------------------

#### Tabell 10.3.4

TB142B

IN3	Anslutning begäran
IN4	Drift ON/OFF

#### Tabell 10.3.5

TB142C

COM+	Vanlig
IN5*1	Varmvatten/Upphettning
IN6*2	Uppvärmning ECO
IN7*3	Kylarvätska

\*1 PWFY-P100VM-E-BU      Varmvatten  
PWFY-P100/200VM-E1-AU      Uppvärmning

\*2 Effektiv när SW 4-3 är satt till ON.

\*3 Effektiv när SW 4-4 är satt till ON.

\*4 När du ställer in ett av lägena Värme ECO eller Frysskydd måste du återställa strömförsörjningen på alla enheter (utomhus-/inomhusenheter).

## 10.4. Lägga in adresser

(Utför med huvudströmbrytaren i läge AV.)

### [Fig. 10.4.1] (P.4)

<Adresskort>

- Det finns två typer av vredinställning: lägga in adresser 1 till 9 och över 10, och lägga in förgreningsnummer.

#### ① Hur du lägger in adresser

Exempel: Om adressen är "3" – behåll SWU2 (för över 10) på "0" och ställ in SWU1 (för 1 till 9) på "3".

#### ② Lägga in förgreningsnummer SWU3 (endast serie R2)

Passa in inomhusenhetens kylmedelsledning mot BC-styrenhetens anslutningsnummer. Behåll andra än R2 vid "0".

- Alla vredomkopplare är inställda på "0" vid leveransen från fabriken. Dessa omkopplare kan användas för att lägga in enhetsadresser och förgreningsnummer.
- Inomhusenhetens adresser varierar för olika system. Lagg in dem med hjälp av databoken.

## 11. Information på dataskylten

### ⚠ Varning:

Använd inget köldmedel än den typ som anges i bruksanvisningen som medföljer enheten och på namnskylden.

- Det kan i så fall orsaka att enheten eller rören spricker, eller orsaka explosion eller brand under användning, reparation, eller vid kasserandet av enheten.
- Det kan även vara ett brott mot tillämpliga lagar.
- MITSUBISHI ELECTRIC CORPORATION kan inte hållas ansvariga för funktionsstörningar eller olyckor som inträffar på grund av att fel köldmedel används.

Modell	PWFY-P100VM-E-BU	PWFY-P100VM-E1-AU	PWFY-P200VM-E1-AU
Kylmedel (kg)	R134a	1,1	–
	R410A	4,15	4,15
Tillåtet tryck (MPa)	R134a	3,60	–
	vatten	1,0	1,0
Nettovikt (kg)		60	35
			38



# Sadržaj

1. Mjere sigurnosti.....	153	7.3. Obrada vode i kontrola kvalitete vode .....	156
1.1. Prije ugradnje i priključivanja na struju .....	153	7.4. Sigurnosna sklopka za pumpu .....	157
1.2. Mjere opreza za uređaje s rashladnim sredstvom R410A.....	153	8. Karakteristike cijevi za rashladno sredstvo i odvodne cijevi .....	158
1.3. Prije ugradnje .....	154	8.1 Cijev rashladnog sredstva, odvodna cijev i napojni otvor.....	158
1.4. Prije ugradnje – električni radovi .....	154	9. Spajanje cijevi za rashladno sredstvo i odvodnih cijevi .....	158
1.5. Prije prvog puštanja u rad .....	154	9.1. Cjevi za rashladno sredstvo .....	158
2. O proizvodu.....	155	9.2. Odvodne cijevi.....	158
3. Specifikacije.....	155	9.3. Spajanje električnih priključaka .....	158
4. Provjera isporučenih dijelova .....	155	10. Električno ožičenje.....	159
5. Način podizanja .....	155	10.1. Strujno ožičenje.....	159
6. Postavljanje uređaja i prostor za servisiranje.....	155	10.2. Priključivanje daljinskog regulatora i prijenosnih kabela unutarne i vanjske jedinice .....	160
6.1. Postavljanje.....	155	10.3. Funkcija vanjskog ulaza/izlaza .....	160
6.2. Prostor za servisiranje.....	155	10.4. Namještanje adresa .....	160
7. Postavljanje cijevi za vodu.....	156	11. Pločica s nazivnim podacima.....	161
7.1. Mjere opreza tijekom postavljanja .....	156		
7.2. Postavljanje izolacije .....	156		

## 1. Mjere sigurnosti

### 1.1. Prije ugradnje i priključivanja na struju

- ▶ Prije ugradnje uređaja obavezno pročitajte cijelo poglavlje „Mjere sigurnosti“ .
- ▶ „Mjere sigurnosti“ daju veoma važne smjernice glede sigurnosti. Obavezno ih se pridržavajte.

#### Objašnjenje simbola u tekstu

##### ⚠ Upozorenje:

Opisuje mjere opreza koje treba poduzeti kako bi se spriječila opasnost od ozljeda ili smrt korisnika.

##### ⚠ Oprez:

Opisuje mjere opreza kojih se treba pridržavati radi sprječavanja oštećenja uređaja.

#### Objašnjenje simbola u crtežima

⊘ : Označava radnju koju je potrebno izbjegavati.

⚠ : Označava da je potrebno pridržavati se važnih uputa.

⚠ : Označava dio koji mora biti uzemljen.

⚠ : Oprez zbog strujnog udara. (Ovaj simbol se nalazi na naljepnici na glavnoj jedinici.) <Boja: Žuta>

⚠ : Pazite na vruću površinu

##### ⚠ Upozorenje:

**Pazljivo pročitajte sve naljepnice na glavnoj jedinici.**

##### ⚠ Upozorenje:

- Ako je kabel za napajanje oštećen, treba ga zamijeniti proizvođač, ovlašteni servis ili kvalificirani stručnjak kako bi se izbjegao svaki rizik.
- Ovaj uređaj nije namijenjen osobama smanjenih fizičkih i mentalnih sposobnosti i percepcije (uključujući i djecu) ili osobama s manjim iskustvom i znanjem osim ako su dobile upute o korištenju uređaja ili ga koriste pod nadzorom osobe odgovorne za njihovu sigurnost.
- Ne koristite rashladno sredstvo koje nije navedeno u priručnicima ili na nazivnoj pločici uređaja.
  - U slučaju uporabe drugačije vrste rashladnog sredstva uređaj ili cijevi mogu se rasprsnuti, moguća je eksplozija ili požar tijekom uporabe, popravka ili odlaganja uređaja.
  - Takvim postupkom najvjerojatnije kršite pozitivnu zakonsku regulativu.
  - MITSUBISHI ELECTRIC CORPORATION ne preuzima odgovornost za kvarove ili nesreće nastale zbog uporabe pogrešne vrste rashladnog sredstva.
- Ne koristite čelične cijevi za cijevi za vodu.
  - Preporučaju se bakrene cijevi.
- Krug vode mora biti zatvoreni krug.
- Ugradnju klimatizacijskog uređaja prepustite trgovcu ili ovlaštenom tehničaru.
  - Neispravna ugradnja od strane korisnika može prouzročiti istjecanje vode, strujni udar ili požar.
- Ugradite uređaj na mjesto koje može izdržati njegovu težinu.
  - Jedinica bi mogla pasti zbog neprimjerene čvrstoće i nekoga ozlijediti.
- Ne dodirujte uređaj. Površina uređaja može biti vruća.
- Ne ugrađujte uređaj na mjestu gdje se stvara korozivni plin.
- Za električno povezivanje koristite priložene kabele. Čvrsto osigurajte veze tako da se vanjsko opterećenje kabela ne prenosi na priključke.
  - Neprikladno povezivanje i pričvršćenje može stvoriti toplinu i prouzročiti požar.
- Pripremite za jake vjetrove i druge oblike vlage, kao i potrese te uređaj ugrađite na naznačeno mjesto.
  - Neispravna ugradnja može prouzročiti prevrtanje uređaja i teške ozljede.

- Uvijek koristite cjedila i drugi pribor prema tehničkim naznakama Mitsubishi Electric.
  - Za ugradnju dodatne opreme obratite se ovlaštenom tehničaru. Neispravna ugradnja može prouzročiti istjecanje vode, strujni udar ili požar.
- Ne popravljajte uređaj sami. Ako je klimatizacijski uređaj potrebno popraviti, obratite se trgovcu.
  - Neispravan popravak može prouzročiti istjecanje vode, strujni udar ili požar.
- Ne dirajte cijevi rashladnog sredstva i cijevi za vodu.
  - Neispravno rukovanje može prouzročiti ozljede.
- Pri rukovanju proizvodom, uvijek nosite zaštitnu opremu. Npr: rukavice, zaštitu za cijelu ruku i zaštitne naočale.
  - Neispravno rukovanje može prouzročiti ozljede.
- Ako rashladni plin iscuri tijekom ugradnje, prozračite prostoriju.
  - Ako rashladni plin dođe u dodir s plamenom, mogu nastati otrovni plinovi.
- Postavite klimatizacijski uređaj prema uputama iz Priručnika za postavljanje.
  - Neispravna ugradnja može prouzročiti istjecanje vode, strujni udar ili požar.
- Sve električne radove prepustite ovlaštenom električaru koji ih treba izvesti u skladu s „Tehničkom normom za električne instalacije“ i „Propisima za unutrašnje ožičenje“ te s uputama iz ovog priručnika, a uvijek se mora koristiti zasebni strujni krug.
  - Ako kapacitet izvora struje nije dovoljan ili ako se električni radovi neispravno izvedu, to može prouzročiti strujni udar i požar.
- Električne dijelove držite dalje od vode (vode za pranje itd.).
  - To može prouzročiti strujni udar, požar ili dim.
- Pouzdano postavite poklopac (ploče) priključaka grijača.
  - Ako se poklopac (ploče) priključaka neispravno postavi, prašina ili voda mogu prodrijeti u grijač što može prouzročiti požar ili strujni udar.
- Pri ugradnji i premještanju klimatizacijskog uređaja na neko drugo mjesto, ne punite ga drugim rashladnim sredstvom osim sredstva (R410A) koje je navedeno na uređaju.
  - Ako se drugo rashladno sredstvo ili zrak pomiješa s prvobitnim sredstvom, ciklus toka rashladnog sredstva može se prekinuti i uređaj se može oštetiti.
- Ako je klimatizacijski uređaj ugrađen u malu prostoriju, potrebno je osigurati da koncentracija rashladnog sredstva ne prelazi sigurnosnu granicu čak i u slučaju da sredstvo procuri.
  - Savjetujte se s trgovcem o ispravnim mjerama za sprječavanje premašivanja sigurnosne granice. Ako rashladno sredstvo istječe i premaši sigurnosnu granicu, mogu nastati opasnosti uslijed pomanjkanja kisika u prostoriji.
- Pri premještanju i ponovnoj ugradnji klimatizacijskog uređaja savjetujte se s trgovcem ili ovlaštenim tehničarom.
  - Neispravna ugradnja klimatizacijskog uređaja može prouzročiti istjecanje vode, strujni udar ili požar.
- Nakon završetka ugradnje, provjerite da rashladni plin ne istječe.
  - U slučaju da rashladni plin istječe te je izložen grijaču, štednjaku, pećnici ili drugim izvorom topline, mogu nastati otrovni plinovi.
- Ne prepravljajte i ne mijenjajte namještanja zaštitnih sklopova.
  - U slučaju kratkog spoja ili prisilnog rukovanja na tlačnoj sklopki, termičkoj sklopki ili drugom zaštitnom sklopu, ili dijelovima koje nije odobrio Mitsubishi Electric, može nastati požar ili eksplozija.
- Savjete o zbrinjavanju proizvoda možete dobiti od trgovca.
- Stručnjaci koji postavljaju sustav trebaju osigurati da nema istjecanja u skladu s lokalnim odredbama i standardima.
  - Ako lokalne odredbe nisu na raspolaganju, onda treba slijediti standarde.
- Posebnu pažnju poklonite mjestu, kao što je podru, itd. gdje se rashladni plin može zadržati pošto je hladniji od zraka.
- Djecu treba nadgledati i ne dozvoliti im igranje uređajem.

### 1.2. Mjere opreza za uređaje s rashladnim sredstvom R410A

##### ⚠ Upozorenje:

- Ne koristite rashladno sredstvo koje nije navedeno u priručnicima ili na nazivnoj pločici uređaja.
  - U slučaju uporabe drugačije vrste rashladnog sredstva uređaj ili cijevi mogu se rasprsnuti, moguća je eksplozija ili požar tijekom uporabe, popravka ili odlaganja uređaja.
  - Takvim postupkom najvjerojatnije kršite pozitivnu zakonsku regulativu.

- MITSUBISHI ELECTRIC CORPORATION ne preuzima odgovornost za kvarove ili nesreće nastale zbog uporabe pogrešne vrste rashladnog sredstva.

#### ⚠ Oprez:

- **Ne koristite postojeće cijevi za rashladno sredstvo.**
  - Staro rashladno sredstvo i rashladno ulje u postojećim cijevima sadrže veliku količinu klora koji može smanjiti funkcionalnost rashladnog ulja u novom uređaju.
  - R410A je visokotlačno rashladno sredstvo koje može prouzročiti rasprskavanje postojećih cijevi.
- **Koristite cijevi za rashladno sredstvo od C1220 (Cu-DHP) fosforanog deoksidiranog bakra, u skladu s normom JIS H3300 „Bešavne cijevi i vodovi od bakra i bakrene legure“. K tomu, provjerite jesu li unutarnje i vanjske površine cijevi čiste te da ne sadrže opasan sumpor, okside, prašinu/prljavštinu, ostatke od rezanja, ulja, vlagu ili druge nečiste tvari.**
  - Nečiste tvari u unutrašnjosti cijevi za rashladno sredstvo mogu smanjiti funkcionalnost preostalog rashladnog ulja.
- **Cijevi koje ćete koristiti za ugradnju držite u zatvorenom prostoru, a oba kraja cijevi držite zabrtvljena do trenutka lemljenja. (Koljenaste elemente i druge priključke držite u plastičnoj vrećici.)**
  - Ako u rashladno sredstvo uđe prašina, prljavština ili voda, može se smanjiti funkcionalnost rashladnog ulja te mogu nastati poteškoće s kompresorom.
- **Za premazivanje spojnica i prirubnica, kao rashladno ulje koristite esterno ulje, etero ulje ili alkil-benzen (u maloj količini).**
  - Rashladno ulje će izgubiti funkciju ako se pomiješa s velikom količinom mineralnog ulja.
- **Za punjenje sustava koristite tekuće rashladno sredstvo.**
  - Ako se za brtvljenje sustava koristi plinsko rashladno sredstvo, promijenit će se sastav rashladnog sredstva u spremniku, što može utjecati na učinak.
- **Ne koristite niti jedno rashladno sredstvo osim R410A.**
  - Ukoliko se neko drugo rashladno sredstvo (R22 itd.) pomiješa s R410A, klor u rashladnom sredstvu može umanjiti uvećanost rashladnog ulja.
- **Koristite vakuumsku pumpu s protupovratnim kontrolnim ventilom.**
  - Ulje iz vakuumske pumpe može se vratiti natrag u tok rashladnog sredstva i smanjiti funkciju rashladnog ulja.
- **Ne koristite sljedeće alate koji se koriste s uobičajenim rashladnim sredstvima.**

(Cijevi mjernih uređaja, crijevo za punjenje, detektor istjecanja plina, protupovratni kontrolni ventil, uređaj za punjenje rashladnog sredstva, oprema za povrat rashladnog sredstva)

  - Ako se konvencionalno rashladno sredstvo i rashladno ulje pomiješaju s R410A, to može smanjiti funkciju rashladnog sredstva.
  - Ako se R410A pomiješa s vodom, to može smanjiti funkciju rashladnog ulja.
  - Kako R410A ne sadrže klor, detektori istjecanja plina za uobičajena rashladna sredstva neće na njega reagirati.
- **Ne koristite spremnik za punjenje.**
  - Primjenom spremnika za punjenje može se smanjiti funkcija rashladnog sredstva.
- **Budite oprezni pri rukovanju alatom.**
  - Ako prašina, prljavština ili voda dospiju u tok rashladnog sredstva, sredstvo može izgubiti funkciju.

### 1.3. Prije ugradnje

#### ⚠ Oprez:

- **Ne ugrađujte uređaj na mjestu gdje može istjecati zapaljivi plin.**
  - Ako plin istječe i nakupi se oko uređaja, može doći do eksplozije.
- **Ne koristite klimatizacijski uređaj na mjestu gdje se nalaze hrana, kućni lju-bimci, biljke, precizni instrumenti i umjetnička djela.**
  - Može se pokvariti kvaliteta hrane i sl.
- **Ne koristite klimatizacijski uređaj u posebnim okruženjima.**
  - Ulje, para, sumporni dim itd. mogu značajno smanjiti učinak klimatizacijskog uređaja ili oštetiti njegove dijelove.
- **Pri ugradnji uređaja u bolnicu, na komunikacijsku postaju ili slično mjesto, osigurajte primjerenu zaštitu od buke.**
  - Inverterska oprema, mali generatori, visokofrekvencijski medicinski uređaji i radiokomunikacijska oprema mogu prouzročiti neispravan rad ili potpuno onemogućiti rad klimatizacijskog uređaja. S druge strane, klimatizacijski uređaj može utjecati na te uređaje stvaranjem buke koja ometa medicinsko liječenje ili prijenos slike.
- **Ne ugrađujte uređaj na konstrukciju koja može izazvati istjecanje.**
  - Kada vlažnost u prostoriji prelazi 80% ili kada se začepi odvodna cijev, iz unutarnje jedinice može kapati kondenzirana voda. Prema potrebi izvršite primjeren odvod iz uređaja.

### 1.4. Prije ugradnje – električni radovi

#### ⚠ Oprez:

- Uzemljite uređaj.

- Ne priključujte vod uzemljenja na vodovodne ili plinske cijevi, gromobrane i podzemne telefonske vodove. Neispravno uzemljenje može prouzročiti strujni udar.
- **Ugradite strujni kabel tako da on nije nategnut.**
  - Nategnutost može prouzročiti pucanje kabela te stvoriti toplinu i izazvati požar.
- **Prema potrebi montirajte prekidač strujnog kruga.**
  - Ako se prekidač strujnog kruga ne montira, može doći do strujnog udara.
- **Koristite strujne vodove primjerene snage struje i promjera.**
  - Premali kabeli mogu prouzročiti gubitak napona, stvoriti toplinu i izazvati požar.
- **Koristite prekidač strujnog kruga i osigurač prikladnog kapaciteta.**
  - Osigurač ili prekidač strujnog kruga većeg kapaciteta ili sa čeličnom ili bakrenom žicom može prouzročiti opći kvar uređaja ili požar.
- **Ne perite jedinice klimatizacijskog uređaja.**
  - U protivnom bi moglo doći do strujnog udara.
- **Provjerite da ugradbeno postolje nije oštećeno nakon dugotrajne uporabe.**
  - Ako se oštećenja ne poprave, uređaj može otpasti i prouzročiti tjelesne ozljede ili oštećenje imovine.
- **Kako bi se osigurao ispravan odvod, odvodne cijevi ugradite prema uputama iz priručnika za ugradnju. Oko cijevi omotajte termičku izolaciju kako biste spriječili kondenzaciju.**
  - Neispravne odvodne cijevi mogu prouzročiti istjecanje vode i oštetiti namještaj ili drugu imovinu.
- **Budite posebno oprezni pri prenošenju proizvoda.**
  - Ako je proizvod teži od 20 kg, za prenošenje su potrebne dvije osobe.
  - Neki proizvodi koriste PP vrpce za pakiranje. Ne koristite PP kao sredstvo za prenošenje. To je opasno.
  - Pri prenošenju uređaja, poduprite ga na označenim mjestima na postolju. Također poduprite uređaj na četiri mjesta kako ne bi otklizao u stranu.
- **Sigurno zbrinite ambalažni materijal.**
  - Ambalažni materijal, poput čavala i drugih metalnih ili drvenih dijelova, može prouzročiti porezotine ili druge ozljede.
  - Razderite i bacite plastične ambalažne vrećice kako se djeca ne bi igrala njima. Ako bi se djeca igrala plastičnom vrećicom, postoji opasnost od gušenja.

### 1.5. Prije prvog puštanja u rad

#### ⚠ Oprez:

- **Kod pogreške "7130" javlja se ako su zadovoljena oba sljedeća uvjeta.**
  - PWFY jedinica povezana je s vanjskom jedinicom serije Y.
  - Verzija softvera jedna je od navedenih dolje.
    - Seriju PWFY: starija od verzije. 1.13
    - Seriju Y(YHM): starija od verzije. 12.27
    - Seriju Y(YJM): starija od verzije. 1.31
    - Seriju Replace Y(YJM): starija od verzije. 11.31
    - Seriju HP(ZUBADAN): starija od verzije. 22.27
    - Seriju WY: starija od verzije. 12.29
- **Uključite napajanje barem 12 sati prije početka rada.**
  - Ukoliko uređaj počnete koristiti odmah nakon uključivanja glavne sklopke, to može prouzročiti teška oštećenja unutarnjih dijelova. Tijekom sezone uporabe uređaja imajte uključenu glavnu sklopku.
- **Sklopke ne dodirujte mokrim prstima.**
  - Dodirivanje sklopke mokrim rukama može izazvati strujni udar.
- **Ne dodirujte cijevi rashladnog sustava za vrijeme i odmah nakon prekida rada.**
  - Za vrijeme i odmah nakon prekida rada cijevi rashladnog sustava mogu biti vruće ili hladne, ovisno o stanju rashladnog sredstva koje teče kroz cijevi, kompresor i druge dijelove toka rashladnog sredstva. Na rukama bi mogle nastati opekline ili smrztotine ako dodirnete cijevi rashladnog sustava.
- **Ne rukujte klimatizacijskim uređajem kada su skinute ploče i štitinici.**
  - Rotirajući, vrući i dijelovi pod naponom mogu izazvati ozljede.
- **Ne isključujte napajanje odmah nakon prekida rada.**
  - Pričekajte barem pet minuta prije isključivanja napajanja. U suprotnom može doći do istjecanja vode i poteškoća.
- **Ne dirajte površinu kompresora za vrijeme servisiranja.**
  - Ako je uređaj spojen na izvor napajanja i ne radi, na kompresoru je uključen grijač sanduka za polugu.
- **Ne dirajte golim rukama panele u blizini ispuha ventilatora. mogu se za vrijeme rada zagrijati (čak i ako su zaustavljeni) ili neposredno nakon rada, što predstavlja opasnost od opekline. Koristite rukavice za zaštitu ruku kada je potrebno dirati panele.**
- **Za vrijeme rada uređaja ili neposredno nakon završetka rada, vreli zrak može biti ispuhivan kroz ispuh ventilatora. Ne držite ruke iznad ispuha i ne dodirujte panele koji su u blizini ispuha.**
- **Pazite da osigurate dovoljno mjesta za ispuh zraka iz ventilatora.**
- **Cijevi za vodu mogu biti vrlo vruće ovisno o zadanoj temperaturi. Zamotajte cijevi vode izolacijskim materijalom da bi spriječili opekline.**

## 2. O proizvodu

### ⚠ Upozorenje:

- Ne koristite rashladno sredstvo koje nije navedeno u priručnicima ili na nazivnoj pločici uređaja.
  - U slučaju uporabe drugačije vrste rashladnog sredstva uređaj ili cijevi mogu se rasprsnuti, moguća je eksplozija ili požar tijekom uporabe, popravka ili odlaganja uređaja.
  - Takvim postupkom najvjerojatnije kršite pozitivnu zakonsku regulativu.
  - MITSUBISHI ELECTRIC CORPORATION ne preuzima odgovornost za kvarove ili nesreće nastale zbog uporabe pogrešne vrste rashladnog sredstva.
- Ova jedinica koristi rashladno sredstvo R410A.

- Zbog visokog tlaka u sustavima koji koriste R410A, cijevi sustava s R410A mogu se razlikovati od cijevi sustava s konvencionalnim rashladnim sredstvom. Za detaljniji pogledajte priručnik s podacima.
- Neki od alata i opreme koji se koriste za ugradnju sustava s drugim rashladnim sredstvima ne mogu se koristiti za sustave s R410A. Za detaljniji pogledajte priručnik s podacima.
- Nemojte koristiti već postojeće cijevi, zbog klora koji se nalazi u konvencionalnim rashladnim uljima i rashladnim sredstvima. Taj klor će umanjiti učinkovitost rashladnog ulja u novom sustavu. Postojeće cijevi ne smiju se koristiti zbog toga što je tlak u sustavima s R410A viši od tlaka u sustavima s drugim rashladnim sredstvima, što može dovesti do pucanja postojećih cijevi.

## 3. Specifikacije

### ⚠ Upozorenje:

Ne koristite rashladno sredstvo koje nije navedeno u priručnicima ili na nazivnoj pločici uređaja.

- U slučaju uporabe drugačije vrste rashladnog sredstva uređaj ili cijevi mogu se rasprsnuti, moguća je eksplozija ili požar tijekom uporabe, popravka ili odlaganja uređaja.
- Takvim postupkom najvjerojatnije kršite pozitivnu zakonsku regulativu.
- MITSUBISHI ELECTRIC CORPORATION ne preuzima odgovornost za kvarove ili nesreće nastale zbog uporabe pogrešne vrste rashladnog sredstva.

Model		PWFY-P100VM-E-BU	PWFY-P100VM-E1-AU	PWFY-P200VM-E1-AU	
Razina buke		44dB<A>	29dB<A>	29dB<A>	
Rashladno sredstvo		R134a × 1,1 kg	-	-	
Netto težina		60 kg	35 kg	38 kg	
Planirani pritisak	R410A MPa	4,15	4,15	4,15	
	R134a MPa	3,60	-	-	
	Voda MPa	1,00	1,00	1,00	
Može se spojiti Vanjska jedinica	Ukupni kapacitet	50~100 % kapaciteta vanjske jedinice		50~100 % kapaciteta vanjske jedinice	
	Model/Količina	Samo za R2, seriju Replace R2, seriju WR2	Y, seriju Replace Y, seriju HP(ZUBADAN), seriju WY, R2, seriju Replace R2, seriju WR2	PUMY-P-V/YHMB(-BS)	Y, seriju Replace Y, seriju HP(ZUBADAN), seriju WY, R2, seriju Replace R2, seriju WR2
Raspon temperatura za Grijanje	Vanjska temperatura	-20~32 °CWB (59~90 °F)	-20~32 °CWB (-4~90 °F) PURY - serija -20~15,5 °CWB (-4~60 °F) PUHY - serija	-15~21 °CDB (5~70 °F), -15~15 °CWB (5~59 °F)	-20~32 °CWB (-4~90 °F) PURY - serija -20~15,5 °CWB (-4~60 °F) PUHY - serija
	Ulazna temperatura vode	10~70 °C (50~158 °F)	10~40 °C (50~104 °F)	10~45 °C (50~113 °F)	10~40 °C (50~104 °F)
Raspon temperatura za Hlađenje	Vanjska temperatura	-	-5~43 °CDB (23~110 °F) PURY - serija -5~43 °CDB (23~110 °F) PUHY - serija	-	-5~43 °CDB (23~110 °F) PURY - serija -5~43 °CDB (23~110 °F) PUHY - serija
	Ulazna temperatura vode	-	10~35 °C (50~95 °F)	-	10~35 °C (50~95 °F)

## 4. Provjera isporučениh dijelova

- ① Filtar      ② Materijal za toplinsku izolaciju      ③ Komplet spojnica × 2      ④ Kompenzator × 2 (PWFY-P200VM-E1-AU)      ⑤ Vodič      ⑥ Prekidač protoka (PWFY-P100/P200VM-E1-AU)

## 5. Način podizanja

### ⚠ Opaz:

Budite vrlo pažljivi kada nosite uređaj.

- Nemojte da samo jedna osoba nosi uređaj ako je teži od 20 kg.
- PP vrpce se koriste za pakiranje nekih proizvoda. Ne koristite ih kao sredstvo prijevoza pošto su opasne.
- Iskidajte plastičnu vreću ambalaže i bacite je tako da se djeca ne mogu s njom igrati. U protivnome plastična vreća ambalaže može zagušiti dijete.

## 6. Postavljanje uređaja i prostor za servisiranje

### 6.1. Postavljanje

- Upotrebom sidrenih rupa prikazanih ispod, čvrsto pričvrstite uređaj na postolje.

[Fig. 6.1.1] (P.2)

Ⓐ 4-ø14 (rupa za usidrenje)

Ⓑ (Pogled s gornje strane)

#### Postolja

- Pazite da postavite uređaj na mjesto koje dovoljno čvrsto da izdrži težinu uređaja. Ako je postolje nestabilno, pojačajte ga betonskim postoljem.
- Uređaj mora biti postavljen na ravnu površinu. Libelom provjerite je li površina nakon postavljanja uređaja ravna.
- Ako se uređaj postavio u blizini prostorije gdje buka predstavlja problem, preporuča se upotreba antivibracijskog postolja na postolju uređaja.

### ⚠ Upozorenje:

- Pazite da postavite uređaj na mjesto koje dovoljno čvrsto da izdrži težinu uređaja. Nedovoljna čvrstoća može dovesti do pada uređaja što može prouzročiti ozljedu ljudi.

ozljedu ljudi.

- Obavite stručno postavljanje radi osiguranja od potresa. Pogrešno postavljanje može prouzročiti pad uređaja što može dovesti do ozljeda.

### 6.2. Prostor za servisiranje

- Molimo vas da osigurate sljedeći prostor za servisiranje nakon postavljanja.

(Cjelokupno servisiranje se može izvršiti s prednje strane uređaja)

[Fig. 6.2.1] (P.2)

Model	a	b	c
PWFY-P100VM-E-BU	400	300	600
PWFY-P100VM-E1-AU	400	300	600
PWFY-P200VM-E1-AU	400	300	600

Ⓐ Prostor za cijevi (desna strana)

Ⓑ Pogled s gornje strane

Ⓒ Prostor za servisiranje (prednja strana)

## 7. Postavljanje cijevi za vodu

- Prije dužeg perioda bez upotrebe, ispustite vodu iz cijevi i pustite ih da se dobro osuše.
- Koristite zatvoreni krug vode.
- Kad jedinica radi u načinu rada hlađenja, u krug vode dodajte slanu vodu kako biste spriječili zamrzavanje.
- Da biste u sustavu mogli koristiti rasol, prekidač DipSW 1-10 mora biti postavljen na ON (Uklj.).
- Kada se postavlja u okolinu s niskom temperaturom, pustite vodu da stalno cirkulira. Ako to nije moguće, potpuno ispustite vodu iz cijevi ili ispunite cijevi za vodu slanom vodom.
- Ne koristite vodu iz uređaja za piće ili za pripremu hrane.
- Ne koristite čelične cijevi za cijevi za vodu.

Model	Dovod vode	Odvod vode
PWFY-P100VM-E-BU	PT 3/4 vijak	PT 3/4 vijak
PWFY-P100VM-E1-AU	PT 3/4 vijak	PT 3/4 vijak
PWFY-P200VM-E1-AU *1 Kada se postavljaju kompenzatori.	PT 1 vijak*1	PT 1 vijak*1

### 7.1. Mjere opreza tijekom postavljanja

- Koristite „reverse-return” metodu za osiguranje odgovarajuće otpornosti cijevi na svaku jedinicu.
- Radi osiguranja jednostavnog održavanja, inspekcije i zamjene uređaja, koristite odgovarajuće spojnice, ventile, itd. na dovodu vode i na ispusnom mjestu. Uz to, ne zaboravite postaviti filter na cijevi za dovod vode. (Za održavanje jedinice, potreban je filter na otvoru za cirkulacijsku vodu.)
- Ugradite odgovarajući odušak na cijev za vodu. Nakon puštanja vode kroz cijev, ne zaboravite odzračiti višak zraka.
- Može se formirati kondenzirana voda u nisko temperaturnim dijelovima jedinice. Koristite cijev za odvod spojem na ventil za odvod na postolju uređaja za drenažu vode.
- Ugradite na pumpu ventil za sprječavanje povratnog toka i savitljivu spojnicu radi sprječavanja pretjeranih vibracija.
- Koristite nazuvnicu za zaštitu cijevi tamo gdje prolaze kroz zidove.
- Koristite metalni priključni pribor za pričvršćivanje cijevi i postavljajte ih tako da imaju najvišu zaštitu protiv lomova i savijanja.
- Nemojte pobrkati ventile za dovođenje i odvođenje vode.
- Ovaj uređaj nema grijač za sprječavanje zamrzavanja u cijevima. Kada je cirkulacija vode zaustavljena pri niskim temperaturama, ispustite vodu iz cijevi.
- Neiskorišteni izbojni otvori trebaju biti zatvoreni a otvori za cijevi rashladnog sredstva, cijevi za vodu, kabeli za izvor napajanja i prijenosa trebaju biti ispunjene kitom ili sličnim radi zaštite od vode.
- Postavite filter pod kuto od 45° ili niže prema prikazanome [Fig.7.1.2].
- Namotajte malo trake za brtvljenje oko navoja da bi spriječili curenje vode.
- Omotajte traku za brtvljenje kao što slijedi.
  - ① Priključak omotajte trakom za brtvljenje u smjeru navoja (u smjeru kazaljke na satu) i pazite da traka ne prijeđe preko ruba.
  - ② Kod svakog namotaja preklopite dvije trećine do tri četvrtine širine trake. Pritisnite traku prstima tako da da čvrsto nasjedne na svaki navoj.
  - ③ Gledano od kraja cijevi, ostavite 1,5 do 2 najudaljenija navoja bez trake.

- Postavite priloženi filter na ulaz za vodu.
- Za vrijeme postavljanja cijevi ili filtra ključem pridržavajte cijev na svojem mjestu na strani uređaja. Čvrsto pritegnite vijek momentnom silom od 50N-m.
- Cijevi za vodu mogu biti vrlo vruće ovisno o zadanoj temperaturi. Zamotajte cijevi vode izolacijskim materijalom da bi spriječili opekline.
- Za model PWFY-P200VM-E1-AU, postavite kompenzator (dodatak) na ulaz - nakon postavljanja filtra, i na izlaz.

#### Primjer postavljanja uređaja (upotrebom cijevi za vodu)

[Fig. 7.1.1] (P.2)

- Ⓐ Zatvori ventil
- Ⓑ Dovod vode
- Ⓒ Odvod vode
- Ⓓ Cijevi za rashladno sredstvo
- Ⓔ Cjedilo tipa Y
- Ⓕ Odvodna cijev
- Ⓖ Kompenzator

### 7.2. Postavljanje izolacije

Površinska temperatura cijevi za vodu bit će vrlo visoka, ovisno o postavljenoj temperaturi. Izolirajte cijev da bi spriječili opekline. Kada PWFY-P100/P200VM-E1-AU radi s hladnom vodom, izolirajte cijevi za vodu da bi spriječili kondenzaciju.

Namotajte izolacijski materijal oko cijevi za vodu kao što je prikazano na [Fig. 7.2.1].

- Sve cijevi izvora topline.
- Unutrašnje cijevi u područjima s hladnim zimama gdje zamrzavanje cijevi predstavlja problem.
- Kada vanjski zrak prouzrokuje formiranje kondenzacije na cijevima.
- Sve odvodne cijevi.

[Fig. 7.2.1] (P.2)

- Ⓐ Materijal za toplinsku izolaciju (dodatak)
- Ⓑ Ubrzajte materijal za zatvaranje pukotina

### 7.3. Obrada vode i kontrola kvalitete vode

Za očuvanje kvalitete vode, koristite krug vode zatvorenog tipa. Kada je kvaliteta cirkulirajuće vode loša, kod izmjenjivača topline se mogu stvarati naslage, što može dovesti do smanjenja izmjene toplinske energije i moguće korozije izmjenjivača topline. Dobro pazite na obradu vode i kontrolu kvalitete vode kada ugrađujete sustav za cirkuliranje vode.

- Uklanjanje stranih predmeta i nečistoća iz cijevi.

Tijekom postavljanja, pazite da strani predmeti, kao što su krotine od zavarivanja, komadići materijala za brtvljenje ili hrđa, ne uđu u cijevi.
- Poboljšavanje kvalitete vode
  - ① Ovisno o kvaliteti vode, bakrene cijevi izmjenjivača topline mogu korodirati. Preporučamo redovitu obradu vode za poboljšanje kvalitete vode. Sustavi za cirkulaciju vode korištenjem otvorenih spremnika topline su posebno naklonjeni koroziji. Kada se koriste otvoreni spremnici topline, ugradite izmjenjivač topline tipa voda-voda i koristite zatvoreni krug na strani klimatizacijskog uređaja. Ako je postavljen spremnik s vodom, pazite da je izlaganje zraku minimalno i održavajte razinu otopljenog kisika u vodi ne višu od 1mg/l.

Stavke		Sustav s vodom nižeg srednjeg raspona temperatura Temperatura vode ≤ 60 °C		Sustav s vodom višeg srednjeg raspona temperatura Temperatura vode > 60 °C		Sklonost	
		Recirkulirajuća voda	Dotatna voda	Recirkulirajuća voda	Dotatna voda	Korozivno	Fomira naslage
Normativne stavke	pH (25 °C)	7,0 ~ 8,0	7,0 ~ 8,0	7,0 ~ 8,0	7,0 ~ 8,0	○	○
	Električna vodljivost (mS/m) (25 °C) (μ S/cm) (25 °C)	30 ili niže [300 ili niže]	30 ili niže [300 ili niže]	30 ili niže [300 ili niže]	30 ili niže [300 ili niže]	○	○
	Ion klora (mg Cl/l)	50 ili niže	50 ili niže	30 ili niže	30 ili niže	○	
	Ion sulfata (mg SO <sub>4</sub> <sup>2-</sup> /l)	50 ili niže	50 ili niže	30 ili niže	30 ili niže	○	
	Potrošnja kiseline (pH4,8) (mg CaCO <sub>3</sub> /l)	50 ili niže	50 ili niže	50 ili niže	50 ili niže		○
	Ukupna tvrdoća (mg CaCO <sub>3</sub> /l)	70 ili niže	70 ili niže	70 ili niže	70 ili niže		○
	Tvrdoća kalcija (mg CaCO <sub>3</sub> /l)	50 ili niže	50 ili niže	50 ili niže	50 ili niže		○
Referencijske stavke	lonjski silicij-dioksid (mg SiO <sub>2</sub> /l)	30 ili niže	30 ili niže	30 ili niže	30 ili niže		○
	Željezo (mg Fe/l)	1,0 ili niže	0,3 ili niže	1,0 ili niže	0,3 ili niže	○	○
	Bakar (mg Cu/l)	1,0 ili niže	1,0 ili niže	1,0 ili niže	1,0 ili niže	○	
	lon sulfida (mg S <sup>2-</sup> /l)	ne može se opaziti	ne može se opaziti	ne može se opaziti	ne može se opaziti	○	
	lon amonijaka (mg NH <sub>4</sub> <sup>+</sup> /l)	0,3 ili niže	0,1 ili niže	0,1 ili niže	0,1 ili niže	○	
	Zaostali klor (mg Cl/l)	0,25 ili niže	0,3 ili niže	0,1 ili niže	0,3 ili niže	○	
	Slobodni ugljični dioksid (mg CO <sub>2</sub> /l)	0,4 ili niže	4,0 ili niže	0,4 ili niže	4,0 ili niže	○	
	Ryznerov indeks stabilnosti	-	-	-	-	○	○

Reference: Preporuke za kvalitetu vode za opremu za rashlađivanje i klimatizaciju. (JRA GL02E-1994)

- Molimo vas da potražite stručnjaka za kontrolu kvalitete vode radi načina za kontrolu kvalitete vode i proračune kvalitete vode prije nego upotrijebite antikorozivne otopine za održavanje kvalitete vode.
- Prilikom zamjene prethodno postavljenog uređaja za klimatizaciju (čak i kada se samo mijenja izmjenjivač topline), prvo provedite analizu kvalitete vode i provjerite ima li korozije.  
Do korozije može doći u sustavima s hladnom vodom čak i ako nije bilo prethodnih znakova korozije.  
Ako se razina kvalitete vode spustila, molimo vas da dovoljno poboljšate kvalitetu vode prije zamjene uređaja.

## 7.4. Sigurnosna sklopka za pumpu

Za izvršavanje probnog rada prije zaključivanja kruga za međusobno povezivanje crpke, kratko spojite priključni blok TB142A (IN1) i potom pokrenite probni rad. Uređaj se može oštetiti ako radi bez cirkuliranja vode kroz cijevi.

### <PWFY-P100VM-E-BU>

Ne zaboravite osigurati rad uređaja i pumpe za vodni krug. Koristite priključne blokove za osiguravanje TB142A (IN1) koji se nalaze na uređaju.

[Fig. 7.4.1] (P.2)

### <PWFY-P100/200VM-E1-AU>

#### <Sigurnosna sklopka za pumpu>

U sustavu s PWFY-P100/P200VM-E1-AU, voda u krugu se može zamrznuti i uzrokovati kvar jedinice. Električne radove izvršite na način prikazan na [Fig. 7.4.2] kako biste spriječili zamrzavanje vode.

#### <Prekidač protoka>

Prilikom ugradnje uređaja, svakako ugradite isporučeni prekidač protoka na stranu izlaza vode uređaja i spojite vodič na IN1 od TB142A na uređaju.

**Ako prekidač protoka nije ugrađen, uređaj će slati signal pogreške (2100: Pogreška blokade) i neće raditi.**

\* Isporučen je kratkospojni vodič, no on je samo za ispitni rad.

<Postupci ugradnje>

- Uklonite cijevi priključene na prekidač protoka.

**Napomena:** Uređaj se isporučuje sa cijevima koje su lagano pričvršćene.

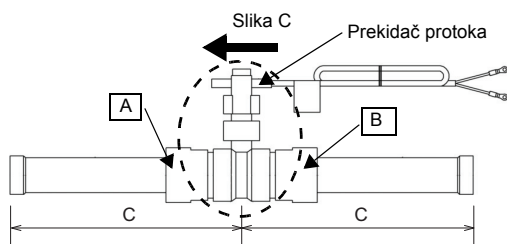
- Omotajte brtvnu traku oko navoja na kraju cijevi, počevši od 1,5 ili 2. navoja, a ne prekrivajte otvore. Primijenite dva do tri omotavanja u smjeru navoja cijevi (u smjeru kazaljke na satu). Svaki sloj trake treba prekrivati prethodni sloj za 2/3 do 3/4 širine trake. Prstima prijedite po navojima i trake da biste traku pritisnuli u navoje.

Zatim priključite cijevi na prekidač protoka, držeći dijelove A i B klijestima. Maksimalni moment pritezanja je 60 N·m (611 kgf·cm).

- Priključite prekidač protoka i cijevi na izlaz vode u vodoravnom položaju. Kut osi cijevi mora biti manji od 45 stupnjeva.

Provjerite smjer prekidača protoka kako je prikazano slikom C.

- Spojite vodič prekidača protoka na IN1 od TB142A.



	C
PWFY-P100VM-E1-AU	175 mm
PWFY-P200VM-E1-AU	205 mm

Prekidač DipSW postavite na način prikazan u tablici dolje.

DipSW3-6	Vanjski izlazni kontakt
ON (Uklj.)	Funkcionira kada je Thermo postavljeno na ON (Uklj.)
OFF (Isklj.)	Funkcionira kada je upravljanje postavljeno na ON (Uklj.) (Daljinsko upravljanje ON(Uklj.))

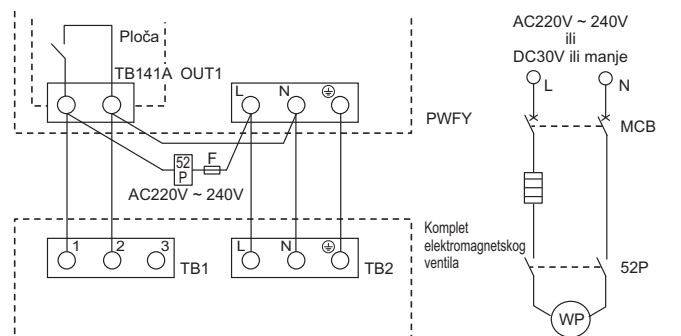
Obavezno uključite napajanje crpke, budući da upravljanje neće funkcionirati dok je napajanje crpke isključeno.

### <PAC-SV01PW-E>

Priključite ožičenje kako je prikazano na [Fig. 7.4.3] prilikom blokada rada pumpe s drugim jedinicama kao i prilikom priključivanja kompleta elektromagnetskog ventila (PAC-SV01PW-E) na sustav koji uključuje vanjske jedinice Y-serije i vanjske jedinice HP(ZUBADAN)-serije, unutarnje jedinice i PWFY-P100/P200VM-E1-AU.

Postavite DIP prekidač3-6 na ON (uključeno). Inačica softvera treba biti 1.18 ili novija.

[Fig. 7.4.3]



F: osigurač

52P: magnetski sklopnik za pumpu za vodu izvora topline

MCB: prekidač strujnog kruga

WP: pumpa za vodu

## 8. Karakteristike cijevi za rashladno sredstvo i odvodne cijevi

Za izbjegavanje kondenzacije, primijenite zadovoljavajuću zaštitu od rošenja i izolirajte cijevi za rashladno sredstvo i odvodne cijevi.

Kada koristite komercijalno dostupne cijevi za rashladno sredstvo, obavezno omotajte komercijalno dostupan izolacijski materijal (s termičkom zaštitom većom od 100 °C i niže navedenom debljinom) na cijevi za tekućinu i plin.

① Odaberite debljinu izolacijskog materijala prema veličini cijevi.

Model	PWFY-P100VM-E-BU	PWFY-P100VM-E1-AU	PWFY-P200VM-E1-AU
Plin	ø15,88	ø15,88	ø19,05
Tekućina	ø9,52	ø9,52	ø9,52
Drenaža	ø32		
Debljina izolacijskog materijala	Više od 10 mm		

② Ukoliko se uređaj koristi na najvišem katu zgrade i u uvjetima visoke temperature i vlažnosti, nužno je koristiti veću veličinu cijevi i debljinu izolacijskog materijala od gore navedenih.

Ne zaboravite namotati izolacijski materijal koji je na raspolaganju na tržištu (od vrste polietilena specifične težine 0,03 i dole navedene debljine) na sve cijevi koje prolaze kroz prostorije.

③ Ukoliko postoje zahtjevi korisnika, pridržavajte ih se.

### 8.1. Cijev rashladnog sredstva, odvodna cijev i napojni otvor

[Fig. 8.1.1] (P.3)

- Ⓐ Cjevovod rashladnog sredstva (plin)
- Ⓑ Cjevovod rashladnog sredstva (tekućina)
- Ⓒ Dovod vode
- Ⓓ Odvod vode
- Ⓔ Ispusni otvor
- \*1: PWFY-P100/200VM-E1-AU

## 9. Spajanje cijevi za rashladno sredstvo i odvodnih cijevi

### 9.1. Cijevi za rashladno sredstvo

Spajanje cijevi mora se izvršiti u skladu s priručnicima za ugradnju vanjske jedinice i regulatora BC (istodobno hlađenje i grijanje serije R2).

- Serija R2 namijenjena je za rad u sustavu u kojem cijev za rashladno sredstvo iz vanjske jedinice ulazi u regulator BC, a zatim se u regulatoru BC grana do svih unutrašnjih jedinica.
- Ograničenja u vezi s duljinom cijevi i dopuštenim nagibom pogledajte u priručniku vanjske jedinice.
- Cijevi se spajaju lemljenjem.

#### ⚠ Oprez:

• Cijevi za rashladno sredstvo unutarnje jedinice ugradite prema sljedećim uputama.

1. Odrežite vrh cijevi unutarnje jedinice, odstranite plin, a zatim skinite zalemljeni poklopac.

[Fig. 9.1.1] (P.3)

- Ⓐ Ovdje odrežite
- Ⓑ Skinite zalemljeni poklopac

2. Povucite termičku izolaciju s cijevi za rashladno sredstvo, zalemite cijevi uređaja i ponovno vratite izolaciju na njezin početni položaj. Omotajte cijevi izolacijskom vrpcom.

#### Napomena:

- **Budite veoma oprezni prilikom omatanja bakrenih cijevi, jer omatanje tih cijevi može prouzročiti kondenzaciju umjesto da je spriječi.**
- \* Prije lemljenja cijevi rashladnog sredstva, uvijek zamotajte cijevi glavnog dijela i cijevi s toplinskom izolacijom, mokrim krpama da bi spriječili toplinsko stezanje ili zapaljenje termoizolacijskih cijevi. Pazite da plamen ne dođe u kontakt s glavnim dijelom.

[Fig. 9.1.2] (P.3)

- Ⓐ Termička izolacija
- Ⓑ Povucite izolaciju
- Ⓒ Omotajte vlažnom krpom
- Ⓓ Vratite u početni položaj
- Ⓔ Provjerite da ovdje ne postoji praznina
- Ⓕ Omotajte izolacijskom vrpcom

### Mjere opreza za cijevi za rashladno sredstvo

- ▶ Obavezno koristite postupak lemljenja bez oksidacije kako u cijev ne bi dospjelo strano tijelo ili vlaga.
- ▶ Preko površina dosjedanja cijevnih spojnica obavezno nanosite rashladno ulje i stegnite spoj uz pomoć okastog ključa.
- ▶ Postavite metalni potporanj za pridržavanje cijevi za rashladno sredstvo kako se završna cijev unutarnje jedinice ne bi opteretila. Metalni potporanj postavite 50 cm od cijevne spojnice unutrašnje jedinice.

#### ⚠ Upozorenje:

- Ne koristite rashladno sredstvo koje nije navedeno u priručnicima ili na nazivnoj pločici uređaja.
  - U slučaju uporabe drugačije vrste rashladnog sredstva uređaj ili cijevi mogu se rasprsnuti, moguća je eksplozija ili požar tijekom uporabe, popravka ili odlaganja uređaja.
  - Takvim postupkom najvjerojatnije kršite pozitivnu zakonsku regulativu.
  - MITSUBISHI ELECTRIC CORPORATION ne preuzima odgovornost za kvarove ili nesreće nastale zbog uporabe pogrešne vrste rashladnog sredstva.
- Prilikom postavljanja i premještanja uređaja, ne punite ga drugim rashladnim sredstvom osim onoga (R407C ili R22) koji je naveden na uređaju.
  - Miješanje različitih rashladnih sredstava, zraka i sl. može prouzročiti prekid toka rashladnog sredstva i teška oštećenja.

#### ⚠ Oprez:

- Koristite cijevi za rashladno sredstvo od C1220 (Cu-DHP) fosfornog deoksidiranog bakra, u skladu s normom JIS H3300 „Bešavne cijevi i vodovi od bakra i bakrene legure“. K tomu, provjerite jesu li unutarnje i vanjske površine cijevi čiste te da ne sadrže opasan sumpor, okside, prašinu/prljavštinu, ostatke od rezanja, ulja, vlagu ili druge nečiste tvari.
- Nikada ne koristite postojeće cijevi za rashladno sredstvo.
  - Velike količine klora u uobičajenom rashladnom sredstvu i rashladnom ulju u postojećim cijevima umanjit će funkciju novog rashladnog sredstva.
- Cijevi koje ćete koristiti za ugradnju držite u zatvorenom prostoru, a oba kraja cijevi držite zabrtvljena do trenutka lemljenja.
  - Ako u rashladno sredstvo uđe prašina, prljavština ili voda, ulje će izgubiti funkciju, a kompresorom se može pokvariti.

### 9.2. Odvodne cijevi

1. Odvodne cijevi moraju voditi prema dolje (pod nagibom od više od 1/100) prema vanjskoj (ispusnoj) strani. Nemojte postavljati bilo kakve zapreke ili nepravilnosti na njihovom putu. (①)
2. Ukupna duljina odvodnih cijevi treba biti manja od 20 m (ne računajući visinsku razliku). Ukoliko su odvodne cijevi duge, učvrstite ih metalnim podupiračima kako se ne bi savinule. Nikada ne koristite nikakve cijevi za odušak. Inače može doći do propuštanja odvoda.
3. Za odvodne cijevi koristite cijev VP-25 od vinil-klorida (vanjskog promjera 32 mm).
4. Zajedničke cijevi moraju biti 10 cm niže od ispusnog otvora na tijelu uređaja kao što je prikazano na ②.
5. Ne postavljajte mirisni filter na ispusni otvor.
6. Kraj odvodne cijevi postavite tako da se ne stvaraju neugodni mirisi.
7. Ne postavljajte kraj odvodne cijevi u odvod u kojem mogu nastati ionski plinovi.

[Fig. 9.2.1] (P.3)

- Ⓐ Spušteni nagib (1/100 ili više)
- Ⓑ Odvodno crijevo
- Ⓒ Jedinica
- Ⓓ Cijevi za prikupljanje
- Ⓔ Povećajte ovu dužinu do otprilike 10 cm

### 9.3. Spajanje električnih priključaka

Provjerite je li ime modela u uputama za upotrebu na poklopcu kontrolne kutije isto kao i ime modela na natpisnoj pločici.

1. korak

Odvijte vijke koji drže poklopac priključne glave.

[Fig. 9.3.1] (P.3)

- Ⓐ Vijci
- Ⓑ Prednja ploča
- Ⓒ Kontrolna kutija

#### Napomena:

Pazite da kabeli ne budu priključeni prilikom postavljanja poklopca priključne glave.

Priklještenost može presjeći žice.

### ⚠ Oprez:

Žice ugradite tako da nisu nagurane i napete. Takve žice mogu puknuti ili se pregrijati i zapaliti.

- Pričvrstite ulazne/izlazne kabele napajanja na kontrolnu kutiju uz pomoć zaštitne vođice otporne na istezanje, radi sprječavanja strujnog udara. (PG spojnice ili slična.)

Povežite električne kabele na priključnu ploču kroz izbojni otvor kontrolne kutije uz pomoć obične spojnice.

- Nakon dovršetka ožičenja, ponovno provjerite da spojevi nisu labavi i ugradite poklopac na kontrolnu kutiju obrnutim redoslijedom od skidanja.

[Fig. 9.3.2] (P.3)

- Ⓐ Za izbjegavanje prenošenja vanjske sile zatezanja na sekciju s žičanim spojem na priključnom bloku izvora napajanja, koristite prigušne zatezne spojnice kao PG spojnice ili slične.
- Ⓑ Ulazni kabel vanjskih signala
- Ⓒ Izlazni kabel vanjskih signala
- Ⓓ Žice strujnog kabela
- Ⓔ Smjer zatezanja
- Ⓕ Koristite uobičajenu spojnicu
- Ⓖ Prijenosni kabel i kabel daljinski regulator MA

### ⚠ Oprez:

Ožičite napajanje tako da ne dođe do natezanja. U protivnome, može doći do prekida spoja, zagrijavanja ili vatre.

## 10. Električno ožičenje

### Mjere opreza kod električnog ožičenja

#### ⚠ Upozorenje:

Električne radove moraju obaviti isključivo kvalificirani električari u skladu s „Tehničkim normama za električne instalacije“ i priloženim priručnicima za ugradnju. Treba koristiti zasebne strujne krugove. Ukoliko strujni krug nema dovoljan kapacitet ili postoji kvar na instalaciji, to može prouzročiti strujni udar ili požar.

1. Pazite da je napajanje is specijalnog faznog kruga.
2. Obavezno ugradite prekidač uzemljenja na dovod struje.
3. Postavite uređaj tako da bilo koji kabel kontrolnog kruga (daljinski regulator, električni vodovi) ne dođe u dodir s električnim kabelom napajanja izvan uređaja.
4. Provjerite da žičani spojevi nisu labavi.
5. Neke kabele (strujni, za daljinski regulator ili ulazne/izlazne linije prijenosnih kabela) iznad stropa mogu nagristi miševi. Radi zaštite, kabele stavite što je moguće više u metalne cijevi.

6. Nikada ne povezujte strujni kabel s priključcima električnih vodova. Inače bi mogli puknuti.
7. Kontrolna kabele obavezno povežite s unutarnjom jedinicom, daljinskim regulatorom i vanjskom jedinicom.
8. Ne zaboravite uzemljiti uređaj.
9. Odaberite kontrole kabele prema zahtjevima na str. 159.

#### ⚠ Oprez:

Uređaj svakako uzemljite na strani vanjske jedinice. Kabel uzemljenja ne povežite s cijevi za plin, cijevi za vodu, gromobranima ili podzemnim telefonskim kablama. Neispravno uzemljenje može predstavljati opasnost od strujnog udara.

### Vrste kontrolnih kabela

#### 1. Ožičenje električnih kabela

- Vrste električnih kabela
- Osigurajte kabele u skladu s donjom tablicom <Tablica 1>.
- Obavezno koristite kabele opremljene dodatnom izolacijom.

#### 1. Prijenosni kabele

PWFY-P100VM-E-BU

	Prijenosni kabele	Kabele daljinski regulator MA	Vanjski ulaz	Vanjski izlaz
Vrsta kabela	Zaštitna žica (2 jezgre) CVVS, CPEVS ili MVVS	Obloženi dvožilni kabel (oklopljeni) CVVS	Obloženi višezilni kabel (oklopljeni) CVVS ili MVVS	Obloženi višezilni kabel (oklopljeni) CVVS ili MVVS
Promjer kabela	Veći od 1,25 mm <sup>2</sup>	0,3 ~ 1,25 mm <sup>2</sup> (0,75 ~ 1,25 mm <sup>2</sup> )*1	0,3 ~ 0,5 mm <sup>2</sup>	0,3 ~ 1,25 mm <sup>2</sup>
Napomene	-	Maksimalna dužina: 200 m	Maksimalna dužina: 100 m	Nominalni napon: L1-N: 220 - 240 V Nominalni struja: 0,6 A

PWFY-P100/200VM-E1-AU

	Prijenosni kabele	Kabele daljinski regulator MA	Vanjski ulaz	Vanjski izlaz
Vrsta kabela	Zaštitna žica (2 jezgre) CVVS, CPEVS ili MVVS	Obloženi dvožilni kabel (oklopljeni) CVVS	Obloženi višezilni kabel (oklopljeni) CVVS ili MVVS	Obloženi višezilni kabel (oklopljeni) CVVS ili MVVS
Promjer kabela	Veći od 1,25 mm <sup>2</sup>	0,3 ~ 1,25 mm <sup>2</sup> (0,75 ~ 1,25 mm <sup>2</sup> )*1	0,3 ~ 0,5 mm <sup>2</sup>	0,3 ~ 1,25 mm <sup>2</sup>
Napomene	-	Maksimalna dužina: 200 m	Maksimalna dužina: 100 m	Nominalni napon: L1-N: 220 - 240 V Nominalni struja: 0,6 A

\*1 Spojen s jednostavnim daljinskim regulatorom. CVVS, MVVS : Kontrolni kabel izoliran i ovijen PVC-om  
 CVV, MVV : PVC-om obloženi kontrolni kabel izoliran PVC-om  
 CPEVS : Oklopljeni komunikacijski kabel s PE izolacijom i PVC ovojem

## 10.1. Strujno ožičenje

- Strujni kabele uređaja ne smiju biti lakši od izvedbe 245 IEC 57 ili 227 IEC 57.
- Prilikom ugradnje klimatizacijskog uređaja potrebno je postaviti sklopku s barem 3 mm razmaka među kontaktima na svakom polu.

## ELEKTRIČNI RADOVI

### 1. Strujne karakteristike

Model	Napajanje				Kompresor		RLA (A)
	Hz	Volti	Raspon napona	MCA (A)	Izlazna snaga (kW)	SC (A)	Grijanje
PWFY-P100VM-E-BU	50/60	220-230-240 V	Maksimalno 264V Minimalno 198V	15,71	1,0	1,25	11,63-11,12-10,66

Model	Napajanje				RLA (A)	
	Hz	Volts	Raspon napona	MCA (A)	Hlađenje	Grijanje
PWFY-P100VM-E1-AU PWFY-P200VM-E1-AU	50/60	220-230-240 V	Maksimalno 264V Minimalno 198V	0,085	0,068-0,065-0,063	

## 2. Specifikacija kabela napajanja

Model	Minimalna debljina žice (mm <sup>2</sup> )			Prekidač za zemni spoj	Lokalna sklopka (A)		Prekidač za kabele (NFB) (A)
	Glavni kabel	grana	Uzemljenje		kapacitet	osigurač	
PWFY-P100VM-E-BU	2,5	-	2,5	30 A 30 mA 0,1 sek ili manje	25	25	30

Model		Minimalna debljina žice (mm <sup>2</sup> )			Prekidač za zemni spoj	Lokalna sklopka (A)		Prekidač za kabele (NFB) (A)	
		Glavni kabel	grana	Uzemljenje		kapacitet	osigurač		
PWFY-P100VM-E1-AU PWFY-P200VM-E1-AU	Ukupna radna struja	16 A ili manje	1,5	1,5	1,5	20 A 30 mA 0,1 sek ili manje	16	16	20
		25 A ili manje	2,5	2,5	2,5	30 A 30 mA 0,1 sek ili manje	25	25	30
		32 A ili manje	4,0	4,0	4,0	40 A 30 mA 0,1 sek ili manje	32	32	40

### [Fig. 10.1.1] (P.4)

- Ⓐ Prekidač za zemni spoj
- Ⓑ Lokalna sklopka ili prekidači za kabele
- Ⓒ PWFY-P100VM-E-BU
- Ⓓ PWFY-P100/200VM-E1-AU
- Ⓔ Zaštitna kutija

### ⚠ Oprez:

Koristite isključivo ispravan prekidač strujnog kruga i osigurač. Osigurač, žica ili bakreni vod prevelikog kapaciteta mogu predstavljati opasnost nastanka kvara ili požara.

## 10.2. Priključivanje daljinskog regulatora i prijenosnih kabela unutarnje i vanjske jedinice

(Daljinski upravljač je na raspolaganju kao opcija.)

- Spojite TB5 uređaja i TB3 vanjske jedinice. (Nepolarizirani 2 žilni (oklopljeni) kabel)  
„S“ na TB5 uređaja predstavlja izolirani žičani spoj. Pojediniosti o priključivanju kabela pogledajte u priručniku za ugradnju vanjske jedinice.
- Ugradite daljinski regulator prema priručniku priloženom uz njega.
- Priključite „1“ i „2“ TB15 uređaja s Daljinski regulator MA. (Nepolarizirani 2-žičani kabel)

### [Fig. 10.2.1] (P.4) Daljinski regulator MA

- DC 10 do 13 V između 1 i 2 (daljinski regulator MA)

### [Fig. 10.2.2] (P.4) Daljinski regulator MA

- Daljinski regulator MA se ne može istovremeno ili naizmjenično koristiti.
  - Ⓐ Nepolariziran
  - Ⓑ TB15 (Kabeli daljinski regulator MA)
  - Ⓒ Daljinski regulator MA
  - Ⓓ TB5 (Prijenosni kabeli)
  - Ⓔ TB2 (Ožičenje strujnog napajanja)

### Napomena:

**Pazite da kabeli ne budu priklješteni prilikom postavljanja poklopca priključne glave.**

**Priklješćenost može presjeći žice.**

### ⚠ Oprez:

- Koristite žicu s dopunskom izolacijom.
- Dovod na TB142A, TB142B i TB142C ne smiju biti pod naponom.
- Kabeli iz uređaja spojenih na vanjski ulaz/izlaz moraju imati dopunsku izolaciju.
- Koristite jedan višezilni kabel za vanjski ulaz/izlaz da bi omogućili spajanje na PG vijak.

### ⚠ Oprez:

Ožičite napajanje tako da ne dođe do natezanja. U protivnome, može doći do prekida spoja, zagrijavanja ili vatre.

## 10.3. Funkcija vanjskog ulaza/izlaza

Postavite ulaznu temperaturu (vanjski analogni ulaz: 4mA-20mA)

Vanjski ulaz je preko CN421, CN422 na pločici sklopa. (Fig. 10.3.1)

Upotrijebite priloženi konektor.

Ako se temperatura nije postavila putem Daljinski regulator MA, temperatura će se mijenjati sa strujom.

Pročitajte upute u priručniku koji je priložen s Daljinski regulator MA, kako izvršiti podešavanje.

4 mA → 10 °C 20 mA → 70 °C

### Napomena:

**Koristite vanjski uređaj sa signalom od 4-20 mA s izolacijom.**

### Vanjski izlazni priključak

Vanjski izlazni priključak (vidi Fig. 10.3.2) ne radi kada je krug otvoren.

Pogledajte Tablicu 10.3.2 s informacijama o svakome kontaktu.

Napon i struja u krugu koji se priključuje na vanjsku izlaznu stezaljku (TB141A OUT1) moraju zadovoljavati sljedeće zahtjeve.

Nazivni napon kontakta	Nazivna struja kontakta	
	AC250V	1 A ili manje
	AC125V	3 A ili manje
	DC30V	3 A ili manje

Tablica 10.3.2

OUT1	Djelovanje ON/OFF
OUT2	Odmrzavanje
OUT3	Kompresor
OUT4	Signal pogreške

### Vanjski ulazni priključak

Dužina žice mora biti do 100 m.

Vanjski ulazni priključak (vidi Fig. 10.3.3) ne radi kada je krug otvoren.

Pogledajte Tablice 10.3.3 do 10.3.5 s informacijama o svakome kontaktu.

Samo funkcija "sigurnosne sklopke za pumpu" ne radi kada je krug u kratkom spoju.

Spožite relejni krug na vanjski izlazni priključak prema Fig. 7.4.1.

Specifikacije relejnog kruga koji će se spojiti moraju zadovoljiti sljedeće uvjete.

Nazivni napon kontakta  $\geq$  DC15V

Nazivna struja kontakta  $\geq$  0,1A

Minimalno primjenljivo opterećenje  $\leq$  1mA na DC

Tablica 10.3.3

### <PWFY-P100VM-E-BU>

TB142A

IN1	Sigurnosna sklopka za pumpu
-----	-----------------------------

### <PWFY-P100/200VM-E1-AU>

TB142A

IN1	Prekidač protoka
-----	------------------

Tablica 10.3.4

TB142B

IN3	Zahtjev za spajanje
IN4	Djelovanje ON/OFF

Tablica 10.3.5

TB142C

COM+	Zajedničko
IN5*1	Vruća voda/Zagrijavanje
IN6*2	Zagrijavanje ECO
IN7*3	Antifriz

\*1 PWFY-P100VM-E-BU Vruća voda

PWFY-P100/200VM-E1-AU Grijanje

\*2 Radi kada je SW 4-3 postavljen na ON.

\*3 Radi kada je SW 4-4 postavljen na ON.

\*4 Prilikom postavljanja ECO grijanja ili načina rada protiv zamrzavanja, resetirajte napajanje svih jedinica (vanjskih/unutarnjih jedinica).

## 10.4. Namještanje adresa

(Obvezno provjerite je li glavna strujna sklopka isključena.)

### [Fig. 10.4.1] (P.4)

<Adresna pločica>

- Moguće su dva položaja prekidača: namještanje adresa od 1 do 9 i preko 10 te namještanje brojeva grana.

#### ① Kako namjestiti adrese

Primjer: Ako je adresa „3“, ostavite SWU2 (za preko 10) na „0“, a SWU1 (za od 1 do 9) namjestite na „3“.

#### ② Kako namjestiti brojeve grana SWU3 (samo za seriju R2)

Uskladite cijev rashladnog sredstva unutrašnje jedinice s brojem spoja na strani BC regulatora. Ostaje drugo osim R2 pri "0".

- Svi okretni prekidači tvornički su namješteni na „0“. Preko njih se proizvoljno mogu namještanje adrese i brojevi grana.
- Raspored adresa unutarnjih jedinica ovisi o postavljenom sustavu. Namjestite ih u skladu s priručnikom Data Book.



## 11. Pločica s nazivnim podacima

### Upozorenje:

Ne koristite rashladno sredstvo koje nije navedeno u priručnicima ili na nazivnoj pločici uređaja.

- U slučaju uporabe drugačije vrste rashladnog sredstva uređaj ili cijevi mogu se rasprsnuti, moguća je eksplozija ili požar tijekom uporabe, popravka ili odlaganja uređaja.
- Takvim postupkom najvjerojatnije kršite pozitivnu zakonsku regulativu.
- MITSUBISHI ELECTRIC CORPORATION ne preuzima odgovornost za kvarove ili nesreće nastale zbog uporabe pogrešne vrste rashladnog sredstva.

Model		PWFY-P100VM-E-BU	PWFY-P100VM-E1-AU	PWFY-P200VM-E1-AU
Rashladno sredstvo (kg)	R134a	1,1	–	–
	R410A	4,15	4,15	4,15
Dozvoljeni pritisak (MPa)	R134a	3,60	–	–
	voda	1,0	1,0	1,0
Netto težina (kg)		60	35	38

1. Măsurile de siguranță .....	162
1.1. Înainte de începe lucrările de instalare sau lucrările la instalația electrică .....	162
1.2. Măsurile de siguranță pentru aparatele care funcționează cu agent frigorific de tip R410A .....	163
1.3. Înainte de instalare .....	163
1.4. Înainte de a începe instalarea (mutarea) – lucrările la instalația electrică .....	163
1.5. Înainte de a începe probele de funcționare .....	163
2. Despre produs .....	164
3. Specificații .....	164
4. Confirmarea componentelor atașate .....	164
5. Metoda de ridicare .....	164
6. Instalarea unității și spațiul de lucru .....	164
6.1. Instalarea .....	164
6.2. Spațiul de lucru .....	165
7. Instalarea țevilor de apă .....	165
7.1. Precauții în timpul lucrărilor de instalare .....	165
7.2. Aplicarea izolației .....	165
7.3. Prelucrarea apei și controlul calității apei .....	165
7.4. Sincronizarea pompei .....	166
8. Caracteristicile circuitului de răcire și ale circuitului de evacuare .....	167
8.1. Circuitul de răcire, circuitul de evacuare și orificiul de umplere .....	167
9. Conectarea țevilor pentru circuitul de răcire și a circuitului de evacuare .....	167
9.1. Lucrările la circuitul de răcire .....	167
9.2. Lucrările la circuitul de evacuare .....	167
9.3. Conexiunile electrice .....	167
10. Circuitul electric .....	168
10.1. Circuitul de alimentare cu curent .....	168
10.2. Conectarea telecomenzii, a cablurilor de transmisie interne și externe .....	169
10.3. Funcția intrării/ieșirii externe .....	169
10.4. Definirea adreselor .....	169
11. Informații pe plăcuța cu caracteristici tehnice .....	170

## 1. Măsurile de siguranță

### 1.1. Înainte de începe lucrările de instalare sau lucrările la instalația electrică

- ▶ Înainte de a instala unitatea, citiți cu atenție toate instrucțiunile din capitolul „Măsurile de siguranță”.
- ▶ În capitolul „Măsurile de siguranță” găsiți instrucțiunile importante referitoare la securitatea muncii. Urmați aceste instrucțiuni.

#### Simboluri utilizate în text

##### ⚠ Avertisment:

Describe măsurile care trebuie luate pentru a preveni producerea de accidente sau decesul utilizatorului.

##### ⚠ Atenție:

Describe măsurile care trebuie luate pentru a preveni defectarea unității.

#### Simboluri utilizate în ilustrații

⊘ : Indică o acțiune care trebuie evitată.

⚠ : Indică instrucțiunile importante care trebuie respectate.

⚠ : Indică o componentă care trebuie legată la pământ.

⚠ : Pericol de electrocutare. (Acest simbol este afișat pe eticheta unității principale.) <Culoare: Galben>

⚠ : Atenție, suprafață fierbinte!

##### ⚠ Avertisment:

Citiți cu atenție etichetele lipite pe unitatea principală.

##### ⚠ Avertisment:

- În cazul în care cablul de alimentare este deteriorat, acesta trebuie înlocuit de către producător, agentul său de service sau persoane calificate în mod similar pentru evitarea pericolului.
- Acest aparat nu este destinat pentru utilizare de către persoane (inclusiv copii) cu capacități fizice, senzoriale sau mentale reduse sau lipsite de experiență și cunoștințe, cu excepția cazului în care sunt supravegheate sau instruite privind utilizarea aparatului de către o persoană responsabilă pentru siguranța acestora.
- Nu utilizați alt agent frigorific decât cel de tipul indicat în manualele furnizate împreună cu aparatul și pe plăcuța de identificare.
  - Procedând astfel, aparatul sau conductele se pot sparge, poate izbucni o explozie sau un incendiu în timpul utilizării, lucrărilor de reparații sau în momentul evacuării aparatului.
  - De asemenea, acest lucru ar putea încălca legile în vigoare.
  - MITSUBISHI ELECTRIC CORPORATION nu poate fi considerată responsabilă pentru defecțiunile sau accidentele cauzate de utilizarea unui tip inadecvat de agent frigorific.
- Nu utilizați țevi de oțel pentru conductele de apă.
  - Se recomandă țevi de cupru.
- Circuitul de apă trebuie să fie un circuit închis.
- Cereți furnizorului sau unui tehnician autorizat să instaleze unitatea de aer condiționat.
  - Instalarea incorectă de către utilizator poate duce la producerea de scurgeri de apă, electrocutări sau incendii.
- Instalați unitatea într-un loc care poate susține greutatea acesteia.
  - În caz contrar unitatea poate cădea și se pot produce accidente.
- Nu atingeți unitatea. Suprafața unității poate fi fierbinte.
- Nu instalați unitatea în spații unde pot exista gaze corozive.

- Pentru efectuarea racordurilor utilizați cablurile menționate. Legăturile trebuie să fie rezistente, astfel încât forțele externe din cablu să nu fie aplicate terminalelor.
  - Conexiunile și închiderile realizate incorect pot genera căldură și pot produce incendii.
- Pregătiți unitatea pentru condiții de ploaie, umezeală și cutremur și instalați-o în locul specificat.
  - Instalarea incorectă poate duce la răsturnarea unității și la producerea de accidente.
- Utilizați întotdeauna un filtru și alte accesorii specificate de Mitsubishi Electric.
  - Cereți unui tehnician autorizat să vă instaleze aceste accesorii. Instalarea incorectă de către utilizator poate duce la producerea de scurgeri de apă, electrocutări sau incendii.
- Nu reparați niciodată unitatea. Dacă aparatul de aer condiționat trebuie reparat, consultați furnizorul.
  - Dacă unitatea este incorect reparată, se pot produce scurgeri de apă, electrocutări sau incendii.
- Nu atingeți conductele de răcire și conductele de apă.
  - Manipularea incorectă poate duce la producerea de accidente.
- Purtați echipament de protecție în timp ce manipulați acest produs.
  - Manipularea incorectă poate duce la producerea de accidente.
- Dacă în timpul lucrărilor de instalare se produc scurgeri de gaz frigorific, ventilați încăperea.
  - Dacă gazul frigorific vine în contact cu focul, vor fi eliberate gaze otrăvitoare.
- Instalați unitatea în conformitate cu instrucțiunile acestui Manual de instalare.
  - Dacă unitatea este incorect instalată, se pot produce scurgeri de apă, electrocutări sau incendii.
- Lucrările la circuitul electric trebuie efectuate de un electrician autorizat în conformitate cu „Standardele tehnice pentru instalațiile electrice” și „Regulamentele pentru instalarea firelor în interior” și cu instrucțiunile din prezentul manual. Utilizați întotdeauna un circuit separat.
  - În cazul în care capacitatea sursei este inadecvată sau instalația electrică este incorect realizată se pot produce electrocutări sau incendii.
- Țineți piesele electrice departe de apă (apă de spălare, etc.).
  - Se pot produce electrocutări, incendii sau fum.
- Instalați cu atenție capacul bornelor unității sursei de căldură (panou).
  - Dacă acest capac (panou) nu este corect instalat, în unitatea sursei de căldură poate penetra apa sau praful și se pot produce scurtcircuite sau incendii.
- Când instalați sau mutați într-un alt loc aparatul de aer condiționat, nu introduceți în unitate un agent frigorific diferit de cel specificat (R410A) pe unitate.
  - Dacă aerul sau un alt agent frigorific este amestecat cu agentul original de răcire, ciclul de refrigerare se poate defecta și unitatea se poate deteriora.
- Dacă unitatea de aer condiționat este instalată într-o cameră mică, trebuie să se ia măsuri pentru a preveni creșterea concentrației agentului de răcire peste limita de siguranță, ținând cont de faptul că acesta se poate scurge din instalație.
  - Consultați furnizorul în ceea ce privește măsurile care trebuie luate pentru a preveni depășirea limitei de siguranță. În cazul în care se produc scurgeri de agent frigorific și limita de siguranță este depășită, poate apărea riscul de lipsă de oxigen în camera respectivă.
- Când mutați sau reinstalați aparatul de aer condiționat, consultați furnizorul sau un tehnician autorizat.
  - Dacă aparatul de aer condiționat este incorect instalat, se pot produce scurgeri de apă, electrocutări sau incendii.
- După ce ați terminat instalarea aparatului, verificați că nu există scurgeri ale gazului de răcire.
  - Dacă scurgerile de gaz frigorific sunt expuse la acțiunea unei surse de căldură, de exemplu o aerotermă, sobă, cuptor, pot fi eliberate gaze nocive.
- Nu refaceți sau modificați parametrii dispozitivelor de protecție.
  - Dacă presostatul, termostatul sau un alt dispozitiv de protecție este șuntat și funcționează forțat, sau dacă sunt folosite alte componente decât cele recomandate de Mitsubishi Electric, se pot produce incendii sau explozii.

- Pentru a arunca acest produs, vă rugăm să consultați furnizorul.
- Instalatorul și specialistul de sistem trebuie să asigure protecția împotriva scurgerilor în conformitate cu reglementările sau standardele locale.
- Dacă nu există reglementări locale, următoarele standarde pot fi aplicate.
- Acordați atenție sporită locului instalării, cum ar fi subsolurile etc. unde gazul frigorific se poate acumula, întrucât agentul frigorific este mai greu decât aerul.
- Copiii trebuie supravegheați pentru a vă asigura că nu se joacă cu aparatul.

## 1.2. Măsurile de siguranță pentru aparatele care funcționează cu agent frigorific de tip R410A

### ⚠️ Avertisment:

- Nu utilizați alt agent frigorific decât cel de tipul indicat în manualele furnizate împreună cu aparatul și pe plăcuța de identificare.
- Procedând astfel, aparatul sau conductele se pot sparge, poate izbucni o explozie sau un incendiu în timpul utilizării, lucrărilor de reparații sau în momentul evacuării aparatului.
- De asemenea, acest lucru ar putea încălca legile în vigoare.
- MITSUBISHI ELECTRIC CORPORATION nu poate fi considerată răspunzătoare pentru defecțiunile sau accidentele cauzate de utilizarea unui tip inadecvat de agent frigorific.

### ⚠️ Atenție:

- Nu folosiți circuitul de răcire existent.
- Vechiul agent și ulei de răcire din circuitul existent conțin o cantitate mare de clor care poate deteriora uleiul de răcire din noua unitate.
- R410A este un agent termic de mare presiune și poate cauza spargerea tubulaturii existente.
- Pentru circuitul de răcire folosiți țevi din C1220 (Cu-DHP) Cupru dezoxidat fosforic așa cum este specificat în JIS H3300 „Cuprul și aliajele din cuprul pentru țevi laminare și tuburi”. În plus, verificați dacă țevile sunt curate la interior și la exterior și nu conțin sulfuri, oxizi, praf/mizerie, particule de la finisare, uleiuri, umezeală sau orice alte impurități periculoase.
- Impuritățile aflate în interiorul țevilor din circuitul de răcire pot determina deteriorarea uleiului rezidual de răcire.
- Depozitați țevile care vor fi folosite la instalare în spații închise și cu ambele capete ale țevii sigilate până în momentul în care efectuați lipirea. (Depozitați cotelurile și celelalte racorduri în pungi de plastic.)
- Dacă în circuitul de răcire intră praf, murdărie sau apă uleiul se poate deteriora și compresorul se poate defecta.
- Folosiți uleiuri pe bază de esteri, eteri sau alchilbenzen (în cantități mici) ca agent termic, pentru ca uleiul de răcire să acopere manșoanele și îmbinările prin flanșă.
- Uleiul de răcire se va degrada dacă este amestecat cu o cantitate mare de ulei mineral.
- Folosiți agent frigorific lichid pentru a umple sistemul.
- Dacă folosiți gaz frigorific pentru a etanșa sistemul, compoziția agentului frigorific din cilindru se va modifica și performanțele vor fi mai slabe.
- Folosiți numai agent frigorific de tip R410A.
- Dacă se amestecă cu R410A un alt agent frigorific (R22 etc.), clorul din compoziția acestuia poate cauza deteriorarea uleiului frigorific.
- Folosiți o pompă de vid împreună cu o valvă de control unidirecțională.
- Uleiul din pompa de vid se poate scurge în circuitul de răcire și poate deteriora uleiul din circuitul de răcire.
- Următoarele scule care au fost utilizate în circuitele convenționale de răcire nu trebuie utilizate: (Manometru, furtun de alimentare, detector de scurgeri de gaze, valvă de control unidirecțională, bazin de alimentare cu agent frigorific, instalație de recuperare a agentului frigorific)
- Dacă agentul frigorific convențional este amestecat cu uleiul de răcire în R410A, atunci agentul frigorific se poate deteriora.
- Dacă R410A se amestecă cu apă, uleiul de răcire se poate deteriora.
- Deoarece R410A nu conține clor, detectoarele convenționale pentru agenți frigorifici nu vor reacționa la scurgeri.
- Nu folosiți un cilindru de alimentare.
- Folosirea unui cilindru de alimentare poate determina deteriorarea agentului frigorific.
- Fiți foarte atenți atunci când lucrați cu unelte.
- Dacă în circuitul de răcire intră praf, murdărie sau apă, agentul frigorific se poate deteriora.

## 1.3. Înainte de instalare

### ⚠️ Atenție:

- Nu instalați unitatea în spații în care pot exista scurgeri de gaze combustibile.
- În cazul în care există scurgeri și acumulări de gaze în jurul unității, se pot produce explozii.
- Nu utilizați aparate de aer condiționat în spații în care aveți alimente, animale, plante, instrumente de precizie sau lucrări de artă.
- Calitatea alimentelor, etc. se poate deteriora.
- Nu utilizați aparate de aer condiționat în medii speciale.
- Uleiul, aburii, gazele sulfurice, etc. pot reduce semnificativ performanțele aparatului de aer condiționat sau pot defecta piesele componente ale acestuia.
- Când instalați unitatea în spitale, săli de așteptare sau în alte spații de acest tip, asigurați suficientă protecție la zgomot.
- Echipamentul inverterului, generatoarele proprii de curent, echipamentele medicale de înaltă frecvență sau echipamentele cu radio-comunicație pot determina funcționarea eronată a aparatului de aer condiționat sau pot împiedica funcționarea acestuia. În

aceleși timp, aparatul de aer condiționat poate influența aceste echipamente creând zgomote care pot deranja tratamentul medical sau transmiterea imaginilor.

- Nu instalați unitatea pe o structură care poate produce scurgeri.
- Dacă umiditatea din încăperea depășește 80% sau țevile de drenaj sunt înfundate, condensul poate picura de pe unitatea interioară. Realizați o drenare colectivă împreună cu unitatea, așa cum este recomandat.

## 1.4. Înainte de a începe instalarea (mutarea) – lucrările la instalația electrică

### ⚠️ Atenție:

- Faceți legătura unității cu pământul.
- Nu conectați cablul de legătură cu pământul la țevile de gaz sau de apă, para-trăsnete sau la linia de împământare a liniei de telefon. Împământarea incorectă a aparatului poate duce la electrocutări.
- Instalați cablul de alimentare astfel încât acesta să nu se afle sub tensiune.
- Aflarea sub tensiune poate duce la ruperea cablului și poate genera căldură și produce incendii.
- În caz de necesitate instalați un întrerupător diferențial.
- Dacă nu instalați un întrerupător diferențial, se pot produce scurtcircuite.
- Utilizați cabluri de alimentare cu o capacitate și o valoare nominală suficientă.
- Cablurile prea mici pot avea scurgeri, pot genera căldură și pot produce incendii.
- Utilizați numai întrerupătoare și siguranțe având capacitatea specificată.
- Folosirea unei siguranțe sau a unui întrerupător de circuit de capacitate mai mare sau a cablurilor de oțel sau cupru poate determina nefuncționarea unității sau producerea de incendii.
- Nu spălați unitățile de aer condiționat.
- La spălarea acestora se pot produce scurtcircuite.
- Aveți grijă ca suportul pe care este instalată unitatea să nu fie deteriorat de o utilizare îndelungată.
- Dacă defecțiunea nu este remediată, unitatea poate cădea și poate produce accidentarea persoanelor sau deteriorarea obiectelor.
- Pentru ca drenarea instalației să se efectueze corect, instalați sistemul de golire respectând indicațiile din manualul de instalare. Înfășurați izolația termică în jurul țevilor pentru a preveni condensul.
- Instalarea incorectă a sistemului de drenare poate produce scurgeri de apă și poate deteriora mobila sau alte bunuri.
- Efectuați cu atenție transportul produsului.
- O singură persoană nu trebuie să care greutăți mai mari de 20 kg.
- Unele produse utilizează la ambalare benzi PP. Nu folosiți benzile PP ca mijloc de transport. Este periculos.
- Când transportați unitatea, susțineți-o în pozițiile indicate pe baza unității. De asemenea, susțineți unitatea în patru puncte pentru a evita alunecarea laterală.
- Aruncați ambalajele numai în locurile permise.
- Ambalajele, precum cuiele și alte materiale de metal sau lemn, pot produce răni sau alte leziuni.
- Rupeți și aruncați ambalajele de plastic pentru ca să nu rămână la îndemâna copiilor. Dacă aceste pungi de plastic rămân la îndemâna copiilor fără a fi rupte, există riscul de sufocare.

## 1.5. Înainte de a începe probele de funcționare

### ⚠️ Atenție:

- Codul de eroare "7130" apare atunci când sunt îndeplinite ambele condiții de mai jos.
- Unitatea PWFY este conectată la unitatea externă a seriei Y.
- Versiunea programelor software este cea indicată mai jos.  
Seria PWFY: anterioară Versiunii. 1.13  
Seria Y(YHM): anterioară Versiunii. 12.27  
Seria Y(YJM): anterioară Versiunii. 1.31  
Seria Replace Y(YJM): anterioară Versiunii. 11.31  
Seria HP(ZUBADAN): anterioară Versiunii. 22.27  
Seria WY: anterioară Versiunii. 12.29
- Lăsați aparatul în priză cel puțin 12 ore înainte de a-l pune în funcțiune.
- Pornirea funcționării aparatului imediat ce acesta a fost pus în priză poate produce defecțiuni importante ale pieselor interne. Țineți aparatul în priză în timpul procesului de funcționare.
- Nu atingeți întrerupătoarele cu mâinile ude.
- Atingerea întrerupătoarelor cu mâinile ude poate produce scurtcircuite.
- Nu atingeți țevile circuitului de răcire în timpul funcționării și imediat după oprirea aparatului.
- În timpul funcționării și imediat după oprirea aparatului țevile circuitului de răcire sunt reci sau fierbinți în funcție de temperatura agentului frigorific din circuit, compresor și alte piese ale circuitului de răcire. Mâinile dumneavoastră pot suferi arsuri sau degerături dacă atingeți țevile.
- Nu puneți în funcțiune aparatul de aer condiționat dacă panourile și sistemele de siguranță nu sunt funcționale.
- Piese aflate în mișcare, cele fierbinți sau cele aflate sub tensiune pot produce accidente.
- Nu opriți alimentarea cu curent imediat după ce aparatul a fost oprit.
- Așteptați cel puțin 5 minute înainte de a întrerupe alimentarea cu curent electric. În caz contrar se pot produce scurgeri de apă sau defecțiuni.
- Nu atingeți suprafața compresorului în timpul funcționării.
- Dacă unitatea este conectată la sursa de alimentare și nu funcționează, radiatorul pentru încălzirea uleiului aflat în compresor funcționează.
- Nu atingeți panourile de lângă orificiile de evacuare a aerului cu mâinile goale: acestea pot deveni fierbinți în timpul funcționării (chiar și când este oprit) sau imediat după utilizare prezentând un pericol de ardere. Purtați mănuși pentru protecția mâinilor atunci când trebuie să atingeți panourile.

- În timpul funcționării unității sau imediat după funcționare, aerul cu o temperatură ridicată poate ieși prin orificiul de evacuare. Nu țineți mâinile peste orificiul de evacuare și nu atingeți panourile de lângă acesta.

- Asigurați-vă că există o cale de ieșire pentru aerul evacuat de ventilator.
- Țevile de apă pot deveni foarte fierbinți, în funcție de temperatura prestabilită. Înfășurați țevile de apă cu materiale izolatoare pentru prevenirea arsurilor.

## 2. Despre produs

### ⚠️ Avertisment:

- Nu utilizați alt agent frigorific decât cel de tipul indicat în manualele furnizate împreună cu aparatul și pe plăcuța de identificare.
  - Procedând astfel, aparatul sau conductele se pot sparge, poate izbucni o explozie sau un incendiu în timpul utilizării, lucrărilor de reparații sau în momentul evacuării aparatului.
  - De asemenea, acest lucru ar putea încălca legile în vigoare.
  - MITSUBISHI ELECTRIC CORPORATION nu poate fi considerată responsabilă pentru defecțiunile sau accidentele cauzate de utilizarea unui tip inadecvat de agent frigorific.
- Această unitate folosește agent frigorific c de tipul R410A.

- Țevile pentru sistemele care folosesc R410A pot diferi de cele folosite pentru sistemele care folosesc agent frigorific c convențional întrucât presiunea din sistemele cu R410A este mai mare. Consultați caietul cu date de referință pentru mai multe informații.
- Unele dintre uneltele și echipamentele folosite pentru instalarea sistemelor care folosesc alt tip de agent frigorific c nu pot fi utilizate la sistemele care folosesc R410A. Consultați caietul cu date de referință pentru mai multe informații.
- Nu folosiți țevile existente întrucât conțin clor, ce se găsește în uleiurile și agenții frigorifici c convenționali. Clorul poate deteriora uleiul frigorifici c din noul echipament. Nu se vor folosi țevile existente întrucât presiunea prescrisă în sistemele care folosesc R410A este mai mare decât cea din sistemele care folosesc alți agenți frigorifici c și este posibil ca țevile să se spargă.

## 3. Specificații

### ⚠️ Avertisment:

Nu utilizați alt agent frigorific decât cel de tipul indicat în manualele furnizate împreună cu aparatul și pe plăcuța de identificare.

- Procedând astfel, aparatul sau conductele se pot sparge, poate izbucni o explozie sau un incendiu în timpul utilizării, lucrărilor de reparații sau în momentul evacuării aparatului.
- De asemenea, acest lucru ar putea încălca legile în vigoare.
- MITSUBISHI ELECTRIC CORPORATION nu poate fi considerată responsabilă pentru defecțiunile sau accidentele cauzate de utilizarea unui tip inadecvat de agent frigorific.

Model		PWFY-P100VM-E-BU	PWFY-P100VM-E1-AU	PWFY-P200VM-E1-AU
Nivelul sonor		44dB<A>	29dB<A>	29dB<A>
Agent termic		R134a × 1,1 kg	-	-
Greutatea netă		60 kg	35 kg	38 kg
Presiunea de proiectare	R410A MPa	4,15	4,15	4,15
	R134a MPa	3,60	-	-
	Apă MPa	1,00	1,00	1,00
Conectabil Unitate externă	Capacitate totală	50~100 % din capacitatea unității exterioare		Poate fi conectată la o singură unitate exterioară
	Model/cantitate	Doar R2, seria Replace R2, seria WR2	Y, seria Replace Y, seria HP(ZUBADAN), seria WY, R2, seria Replace R2, seria WR2	PUMY-P-V/YHMB(-BS)
Gama de temp. a Încălzirii	Temp. exterioară	-20~32 °CWB (59~90 °F)	-20~32 °CWB (-4~90 °F) seriile PURY -20~15,5 °CWB (-4~60 °F) seriile PUHY	-15~21 °CDB (5~70 °F), -15~15 °CWB (5~59 °F)
	Temp. apei de intrare	10~70 °C (50~158 °F)	10~40 °C (50~104 °F)	10~45 °C (50~113 °F)
Gama de temp. a Răcirii	Temp. exterioară	-	-5~43 °CDB (23~110 °F) seriile PURY -5~43 °CDB (23~110 °F) seriile PUHY	-
	Temp. apei de intrare	-	10~35 °C (50~95 °F)	-

## 4. Confirmarea componentelor atașate

- ① Filtru      ② Material de izolare termică      ③ Seturi de conectare × 2      ④ Îmbinare cu rost de dilatație × 2 (PWFY-P200VM-E1-AU)      ⑤ Fir      ⑥ Controlor de debit (PWFY-P100/P200VM-E1-AU)

## 5. Metoda de ridicare

### ⚠️ Atenție:

Acordați atenție deosebită transportului produsului.

- O singură persoană nu trebuie să transporte greutatea mai mari de 20 kg.
- La ambalarea unor produse sunt utilizate benzi PP. Nu le utilizați ca mijloc de transport deoarece acestea sunt periculoase.
- Rupeți ambalajul de plastic și îndepărtați-l astfel încât copiii să nu se poată juca cu el. În caz contrar, ambalajul de plastic poate sufoca copiii cauzând moartea.

## 6. Instalarea unității și spațiul de lucru

### 6.1. Instalarea

- Utilizând orificiile de ancorare prezentate mai jos, fixați ferm unitatea de suportul bază.

[Fig. 6.1.1] (P.2)

Ⓐ 4-ø14 (Orificiu de ancorare)

Ⓑ (Vedere de sus)

Supporturile bază

- Instalați unitatea într-un loc suficient de solid pentru a rezista greutății acesteia. Dacă baza este instabilă, consolidați-o cu un suport de beton.

- Unitatea trebuie să fie ancorată pe o suprafață aflată la nivel. Utilizați un poloboc pentru a verifica orizontalitatea după instalare.
- Dacă unitatea este instalată în apropierea unei încăperi unde zgomotul poate crea probleme, se recomandă utilizarea unui suport de amortizare a vibrațiilor.

### ⚠ Avertisment:

- Instalați unitatea într-un loc suficient de solid pentru a rezista greutateii acesteia.  
Orice lipsă de rezistență poate cauza prăbușirea unității, provocând vătămare corporală.
- Efectuați instalarea astfel încât să se asigure protecția în caz de cutremure.  
Orice deficiență a instalării poate cauza prăbușirea unității, provocând vătămare corporală.

## 7. Instalarea țevilor de apă

- Înainte de o perioadă lungă de nefolosire, evacuați apa din țevi și permiteți uscare totală a acestora.
- Utilizați un circuit de apă închis.
- Atunci când unitatea este în modul de răcire, adăugați soluție salină la apa de circulație pentru a preveni înghețarea.
- Pentru utilizarea soluției saline în sistem, DipSW 1-10 trebuie să fie configurat în modul Pornit.
- La instalarea într-un mediu cu temperaturi scăzute, mențineți tot timpul în circulație apa. Dacă acest lucru nu este posibil, evacuați complet apa din țevi sau umpleți țevile de apă cu soluție salină.
- Nu folosiți apa din această unitate pentru băut sau prepararea alimentelor.
- Nu utilizați țevi de oțel pentru conductele de apă.

Model	Admisie apă	Evacuare apă
PWFY-P100VM-E-BU	Șurub PT 3/4	Șurub PT 3/4
PWFY-P100VM-E1-AU	Șurub PT 3/4	Șurub PT 3/4
PWFY-P200VM-E1-AU *1 Când sunt instalate îmbinările cu rost de dilație.	Șurub PT 1 *1	Șurub PT 1 *1

### 7.1. Precauții în timpul lucrărilor de instalare

- Utilizați metoda inversă pentru a verifica buna rezistență a țevilor fiecărei unități.
- Pentru a asigura întreținerea, verificarea și înlocuirea ușoară a unității, utilizați elemente de îmbinare, supape etc. corespunzătoare la admisie apei și la orificiul de evacuare. În plus, asigurați-vă că instalați și un filtru pe conducta de admisie a apei. (Pentru a întreține unitatea, este necesar un filtru pe circuitul de intrare al apei.)
- Instalați o supapă de aerisire corespunzătoare pe țeava de apă. După circulația apei prin țeavă, asigurați-vă că ați eliberat aerul în exces.
- Este posibilă formarea apei condensate în secțiunile de temperatură joasă ale unității. Utilizați o țeavă de scurgere conectată la supapa de scurgere de la baza unității pentru a evacua apa.
- Instalați pe pompă o supapă de reținere și un racord flexibil pentru a preveni vibrațiile excesive.
- Utilizați un manșon pentru a proteja țevile la trecerea acestora prin perete.
- Utilizați coliere metalice pentru a fixa și monta țevile astfel încât să se asigure o protecție maximă împotriva rușii și îndoirii.
- Nu confundați supapa de admisie cu cea de evacuare a apei.
- Această unitate nu este prevăzută cu niciun încălzitor pentru prevenirea înghețării lichidului în conducte. Când circuitul apei este oprit la temperaturi scăzute, evacuați apa din conducte.
- Orificiile neutilizate trebuie închise și deschizătura țevilor de răcire, a țevilor de apă, a cablurilor sursei de alimentare și de transmisie trebuie etanșate cu chit pentru a preveni pătrunderea apei.
- Instalați filtrul la un unghi de 45° sau mai mic, așa cum este prezentat în [Fig.7.1.2].
- Înfășurați bandă de etanșare în jurul părții șurubului pentru a preveni scurgerea apei.
- Înfășurați banda de etanșare după cum urmează.
  - ① Înfășurați elementul de îmbinare în bandă de etanșare în direcția fileturilor (în sensul acelor de ceasornic), astfel încât banda să nu depășească marginea șurubului.
  - ② Suprapuneți două treimi până la trei pătrimi din lățimea bandei de etanșare peste șurub la fiecare înfiletare. Apăsăți banda cu degetele astfel încât să se fixeze pe fiecare filet.
  - ③ Nu înfășurați șurubul complet. Lăsați 1,5 – 2 fileturi la suprafață.

## 6.2. Spațiul de lucru

- Vă rugăm asigurați următoarele spații de lucru după instalare.  
(Toate lucrările de întreținere pot fi efectuate din partea frontală a unității)  
[Fig. 6.2.1] (P.2)

Model	a	b	c
PWFY-P100VM-E-BU	400	300	600
PWFY-P100VM-E1-AU	400	300	600
PWFY-P200VM-E1-AU	400	300	600

- Ⓐ Spațiul țevilor (partea dreaptă)      Ⓑ Vedere de sus  
Ⓒ Spațiul de lucru (partea frontală)

- Instalați filtrul livrat la orificiul de admisie a apei.
- Țineți țeava la locul ei pe partea unității cu o cheie atunci când instalați țevile sau filtrul. Strângeți șuruburile la un cuplu de 50 N·m.
- Țevile de apă pot deveni foarte fierbinți, în funcție de temperatura prestabilită. Înfășurați țevile de apă cu materiale izolatoare pentru prevenirea arsurilor.
- În cazul modelului PWFY-P200VM-E1-AU, instalați îmbinarea cu rost de dilatație (accesoriu) la orificiul de admisie după instalarea filtrului și la orificiul de evacuare.

### Exemplu de instalare a unității (utilizând țevi de apă)

[Fig. 7.1.1] (P.2)

- Ⓐ Supapă de închidere      Ⓑ Admisie apă  
Ⓒ Evacuare apă      Ⓓ Sistemul circuitului de răcire  
Ⓔ Filtru tip Y      Ⓔ Conductă de evacuare  
Ⓕ Îmbinarea cu rost de dilatație

## 7.2. Aplicarea izolației

Temperatura la suprafața a țevii de apă poate fi foarte ridicată, în funcție de temperatura stabilită. Izolați țeava pentru prevenirea arsurilor. La utilizarea PWFY-P100/P200VM-E1-AU cu apă de răcire, izolați țeava de apă pentru a preveni condensarea. Înfășurați material izolator în jurul țevilor așa cum este prezentat în [Fig. 7.2.1].

- Orice țeavă care poate fi o sursă de căldură.
- Tubulatura de interior din regiunile cu temperaturi scăzute unde înghețarea conductelor poate reprezenta o problemă.
- Când aerul care provine din exterior produce apariția condensului pe tubulatură.
- Orice conductă de scurgere.

[Fig. 7.2.1] (P.2)

- Ⓐ Material de izolare termică (accesoriu)  
Ⓑ Injecții cu material de ștemuire.

## 7.3. Prelucrarea apei și controlul calității apei

Pentru păstrarea calității apei, folosiți circuitul de apă de tip închis. Când calitatea apei din circuit este redusă, schimbătorul de căldură cu apă poate forma o crustă, ducând la diminuarea puterii schimbului de căldură și la o posibilă coroziune a schimbătorului de căldură. Acordați atenție deosebită prelucrării apei și controlului calității apei la instalarea sistemului de circulație a apei.

- Îndepărtarea corpurilor străine sau a impurităților din țevi.  
În timpul instalării, fiți foarte atenți ca obiectele străine, cum ar fi fragmentele de sudură, bucăți din materiale de etanșare sau rugină să nu pătrundă în țevi.
- Prelucrarea cu apă de calitate

- ① În funcție de calitatea apei, tubulatura de cupru a schimbătorului de căldură se poate coroda. Recomandăm periodic prelucrarea cu apă de calitate. Sistemele de circulație a apei utilizând rezervoare deschise de înmagazinare a căldurii sunt supuse cu precădere coroziunii.

La utilizarea unui rezervor deschis de înmagazinare a căldurii, instalați un schimbător de căldură apă-apă și utilizați un circuit închis pe latura aparatului de aer condiționat. Dacă este instalat un rezervor de alimentare cu apă, contactul cu aerul trebuie să fie minim, iar nivelul de oxigen dizolvat în apă nu trebuie să depășească 1mg/l.

② Standardul de calitate a apei

Elemente		Gama de temperatură inferioară a sistemului de apă Temp. apei ≤ 60 °C		Gama de temperatură superioară a sistemului de apă Temp. apei > 60 °C		Tendință	
		Apă de recirculare	Apă preparată	Apă de recirculare	Apă preparată	Coroziv	Formarecrustă
Elemente standard	pH (25 °C)	7,0 ~ 8,0	7,0 ~ 8,0	7,0 ~ 8,0	7,0 ~ 8,0	○	○
	Conductivitatea electrică (mS/m) (25 °C) (μ s/cm) (25 °C)	30 sau mai puțin [300 sau mai puțin]	30 sau mai puțin [300 sau mai puțin]	30 sau mai puțin [300 sau mai puțin]	30 sau mai puțin [300 sau mai puțin]	○	○
	Ioni de clorură (mg Cl/l)	50 sau mai puțin	50 sau mai puțin	30 sau mai puțin	30 sau mai puțin	○	
	Ioni de sulfat (mg SO <sub>4</sub> <sup>2-</sup> /l)	50 sau mai puțin	50 sau mai puțin	30 sau mai puțin	30 sau mai puțin	○	
	Consumul de acid (pH4,8) (mg CaCO <sub>3</sub> /l)	50 sau mai puțin	50 sau mai puțin	50 sau mai puțin	50 sau mai puțin		○
	Duritatea totală (mg CaCO <sub>3</sub> /l)	70 sau mai puțin	70 sau mai puțin	70 sau mai puțin	70 sau mai puțin		○
	Duritatea de calciu (mg CaCO <sub>3</sub> /l)	50 sau mai puțin	50 sau mai puțin	50 sau mai puțin	50 sau mai puțin		○
Elemente de referință	Ioni de silicați (mg SiO <sub>2</sub> /l)	30 sau mai puțin	30 sau mai puțin	30 sau mai puțin	30 sau mai puțin		○
	Fier (mg Fe/l)	1,0 sau mai puțin	0,3 sau mai puțin	1,0 sau mai puțin	0,3 sau mai puțin	○	○
	Cupru (mg Cu/l)	1,0 sau mai puțin	1,0 sau mai puțin	1,0 sau mai puțin	1,0 sau mai puțin	○	
	Ioni de sulfid (mg S <sup>2-</sup> /l)	de nedetectat	de nedetectat	de nedetectat	de nedetectat	○	
	Ioni de amoniu (mg NH <sub>4</sub> <sup>+</sup> /l)	0,3 sau mai puțin	0,1 sau mai puțin	0,1 sau mai puțin	0,1 sau mai puțin	○	
	Clor rezidual (mg Cl/l)	0,25 sau mai puțin	0,3 sau mai puțin	0,1 sau mai puțin	0,3 sau mai puțin	○	
	Dioxid de carbon liber (mg CO <sub>2</sub> /l)	0,4 sau mai puțin	4,0 sau mai puțin	0,4 sau mai puțin	4,0 sau mai puțin	○	
Indice de stabilitate Ryzner	-	-	-	-	○	○	

Referință: Recomandări privind calitatea apei pentru echipamente de aer condiționat. (JRA GL02E-1994)

- ③ Vă rugăm consultați un specialist în controlul calității apei în privința metodelor de control a calității apei și a calculelor de calitate a apei înainte de a utiliza soluții anti-corozione pentru controlul calității apei.
- ④ Când înlocuiți un dispozitiv de aer condiționat instalat anterior (chiar și când înlocuiți doar schimbătorul de căldură), mai întâi efectuați o analiză a calității apei și verificați posibilele surse de coroziune.  
Coroziunea poate apărea în sistemele de răcire cu apă chiar dacă anterior nu existau urme de coroziune.  
Dacă nivelul de calitate al apei este scăzut, vă rugăm să reglați calitatea apei înainte de a înlocui unitatea.

## 7.4. Sincronizarea pompei

Pentru a efectua un test de funcționare înainte de finalizarea circuitului de protecție al pompei, scurtcircuitați blocul de conexiuni TB142A (IN1) și apoi efectuați testul de funcționare.

Unitatea se poate defecta dacă este utilizată fără apa necesară circulației.

### <PWFY-P100VM-E-BU>

Asigurați-vă că ați sincronizat funcționarea unității cu pompa circuitului de apă. Utilizați blocurile terminale pentru sincronizarea TB142A (IN1) care pot fi găsite pe unitate.

[Fig. 7.4.1] (P.2)

### <PWFY-P100/200VM-E1-AU>

#### <Sincronizarea pompei>

În cadrul sistemului cu PWFY-P100/P200VM-E1-AU, apa de circulație poate îngheța, cauzând o funcționare defectuoasă a unității. Efectuați lucrările electrice așa cum se indică în [Fig. 7.4.2] pentru a preveni înghețarea apei.

#### <Controlor de debit>

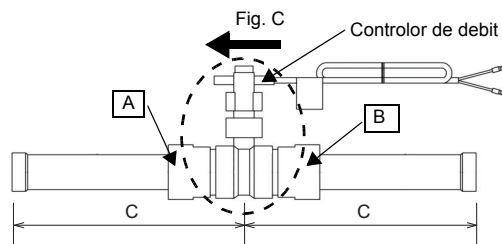
La instalarea unității, asigurați-vă că instalați controlorul de debit furnizat pe partea de evacuare a apei a unității și conectați cablul la IN1 al blocului de conexiuni TB142A de pe unitate.

**În cazul în care controlorul de debit nu este instalat, unitatea va emite un semnal de eroare (2100: Interlock error) și nu va funcționa.**

**\* Se furnizează un cablu de scurtcircuitare, dar acesta servește doar la efectuarea testului.**

<Proceduri de instalare>

- ① Demontați țevile racordate la controlorul de debit.  
**Notă: Unitatea se livrează cu țevile strânse slab.**
- ② Înfășurați bandă izolatoare în jurul fileturilor de la capetele țevelor, pornind de la filetul 1,5 sau 2, fără a acoperi orificiile. Înfășurați de două sau de trei ori în sensul fileturilor țevelor (în sensul acelor de ceas). Fiecare nouă fâșie de bandă trebuie să se suprapună peste fâșia anterioară în proporție de 2/3 până la 3/4 din lățimea benzii. Apăsăți cu degetele pe toată circumferința fileturilor pentru a lipi banda de fileturi.  
Apoi, racordați țevile la controlorul de debit ținând piesele A și B cu o cheie. Cuplul maxim de strângere este de 60 N•m (611 kgf•cm).
- ③ Racordați controlorul de debit și țevile la evacuarea apei în poziție orizontală. Unghiul față de axa țevii trebuie să fie mai mic de 45 de grade. Verificați sensul controlorului de debit conform figurii C.
- ④ Conectați cablul controlorului de debit la IN1 al blocului de conexiuni TB142A.



	C
PWFY-P100VM-E1-AU	175 mm
PWFY-P200VM-E1-AU	205 mm

Configurați DipSW așa cum se indică în tabelul de mai jos.

DipSW3-6	Contact de ieșire extern
Pornit	Efectiv cu Termo-Pornit
Oprit	Efectiv cu Funcționare-Pornit (Telecomandă-Pornit)

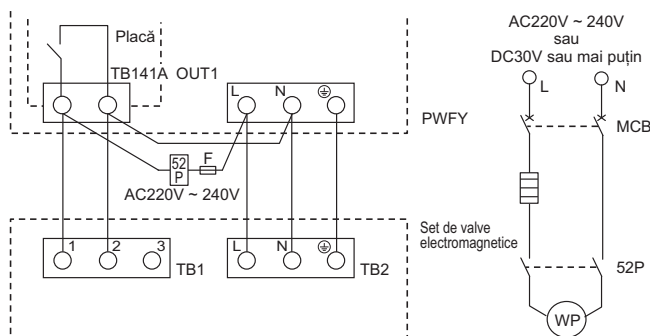
Asigurați-vă că alimentarea cu energie a pompei este pornită, deoarece controlul nu funcționează dacă aceasta este oprită.

### <PAC-SV01PW-E>

Conectați firele după cum este arătat în [Fig. 7.4.3] atunci când cuplați funcționarea pompei la alte unități și când conectați un set de valve electromagnetice (PAC-SV01PW-E) la un sistem care include unități exterioare de serie Y și HP(ZUBADAN), unități interioare și PWFY-P100/P200VM-E1-AU.

Setați Comutatorul 3-6 pe poziția ON (DESCHIS). Asigurați-vă că versiunea programului este 1.18 sau mai recentă.

[Fig. 7.4.3]



F: Fitol

52P: Contactor magnetic pentru pompa de apă cu sursă de căldură

MCB: Înteruptor

WP: Pompă de apă

## 8. Caracteristicile circuitului de răcire și ale circuitului de evacuare

Pentru a evita formarea picăturilor de condens, efectuați lucrări suficiente de anti-condensare și de izolare a circuitului de răcire și circuitului de evacuare. Dacă pentru circuitul de răcire folosiți țevi cumpărate de pe piață, înfășurați pe acesta material de izolare disponibil (rezistent la o temperatură mai mare de 100 °C și având grosimea de mai jos), atât pe țevile pentru lichid, cât și pe cele pentru gaz.

① Selectați grosimea materialului izolator în funcție de dimensiunea țevii.

Model	PWFY-P100VM-E-BU	PWFY-P100VM-E1-AU	PWFY-P200VM-E1-AU
Gaz	ø15,88	ø15,88	ø19,05
Lichid	ø9,52	ø9,52	ø9,52
Scurgere	ø32		
Grosimea materialului izolator	Peste 10 mm		

② Dacă unitatea este folosită la ultimul etaj al clădirii și în condiții de temperatură și umiditate ridicată, este necesar să folosiți țevi și materiale de izolare cu grosimi mai mari decât cele specificate în tabelul de mai jos.

③ Dacă există specificații de la client, urmați aceste specificații.

### 8.1. Circuitul de răcire, circuitul de evacuare și orificiul de umplere

[Fig. 8.1.1] (P.3)

- Ⓐ Circuitul de răcire (gaz)
- Ⓑ Circuitul de răcire (lichid)
- Ⓒ Admisie apă
- Ⓓ Evacuare apă
- Ⓔ Orificiul de evacuare
- \*1: PWFY-P100/200VM-E1-AU

## 9. Conectarea țevilor pentru circuitul de răcire și a circuitului de evacuare

### 9.1. Lucrările la circuitul de răcire

Lucrările la circuitul de răcire trebuie efectuate în conformitate cu manualul de instalare al unității externe și cel al controlerului BC (încălzire și răcire simultană – seria R2).

- Seria R2 a fost proiectată pentru a funcționa într-un sistem în care țeava de răcire de la unitatea externă intră în controlerul BC și se ramifică în controlerul BC pentru a se conecta la unitățile interne.
- Pentru limitările referitoare la lungimea țevii și diferența de nivel permisă, consultați manualul unității externe.
- Metoda conectării țevilor se numește conexiune prin lipire.

#### ⚠ Atenție:

- La instalarea circuitului de țevi de răcire pentru unitatea internă respectați următoarele.

1. Tăiați vârful circuitului de țevi al unității interne, scoateți gazul și apoi scoateți capacul lipit.

[Fig. 9.1.1] (P.3)

- Ⓐ Tăiați aici
- Ⓑ Scoateți capacul lipit

2. Scoateți izolația termică montată pe capătul circuitului de răcire, lipiți de țeava unității și reșezați izolația în poziția inițială. Înfășurați în jurul țevii bandă izolatoare.

#### Notă:

- Fiți atenți atunci când înfășurați țevile din cupru deoarece înfășurarea țevilor poate produce condens în loc să prevină condensul.
- \* Înainte de lipirea țevilor de răcire, întotdeauna înfășurați țevile pe corpul principal și țevile de izolare termică, cu o cârpă umedă pentru a preveni contractarea la căldură și arderea tubulaturii izolatoare. Atenție ca flacăra să nu intre în contact cu corpul dumneavoastră.

[Fig. 9.1.2] (P.3)

- Ⓐ Izolație termică
- Ⓑ Îndepărtați izolația
- Ⓒ Înșășurați o cârpă umedă
- Ⓓ Readuceți în poziția inițială
- Ⓔ Verificați că nu s-au format deschizături
- Ⓕ Înșășurați bandă izolatoare

### Măsurile de siguranță pentru țevile de răcire

- ▶ La sudare utilizați numai alamă inoxidabilă, pentru ca în interiorul țevii să nu intre corpuri sau lichide străine.
- ▶ Nu uitați să aplicați ulei pentru mașinile de răcire pe suprafața ștuțului de conectare și să strângeți bine piesele, folosind o cheie dublă de blocare.
- ▶ Folosiți o clemă de metal pentru a susține țeava de răcire, astfel încât greutatea să nu fie suportată de capătul țevii unității interne. Această clemă de metal va fi montată la 50 cm depărtare de ștuțul de conectare al unității interne.

#### ⚠ Avertisment:

- Nu utilizați alt agent frigorific decât cel de tipul indicat în manualele furnizate împreună cu aparatul și pe plăcuța de identificare.
  - Procedând astfel, aparatul sau conductele se pot sparge, poate izbucni o explozie sau un incendiu în timpul utilizării, lucrărilor de reparații sau în momentul evacuării aparatului.
  - De asemenea, acest lucru ar putea încălca legile în vigoare.
  - MITSUBISHI ELECTRIC CORPORATION nu poate fi considerată răspunzătoare pentru defecțiunile sau accidente cauzate de utilizarea unui tip inadecvat de agent frigorific.
- Când instalați sau mutați într-un alt loc unitatea, nu încărcați în unitate un agent frigorific diferit de cel specificat (R407C sau R22) pe unitate.

De asemenea, înfășurați materialul de izolare disponibil în comerț (cu o izolație de polietilenă având o densitate specifică de 0,03 și cu grosimea specificată mai jos) pe toate țevile care străbat încăperile.

- Amestecarea diferiților agenți de răcire, aerul, etc. ciclul de răcire se poate defecta și unitatea se poate deteriora.

#### ⚠ Atenție:

- Pentru circuitul de răcire folosiți țevi din cupru dezoxidat fosforic C1220 (Cu-DHP), așa cum este specificat în JIS H3300 „Cuprul și aliajele din cupru pentru țevi laminate și tuburi”. În plus, verificați dacă țevile sunt curate în interior și exterior și nu conțin sulfuri, oxizi, praf/mizerie, particule de la finisare, uleiuri, umezeală sau orice alte impurități periculoase.
- Nu folosiți niciodată circuitul de răcire existent.
  - Cantitatea mare de clor existent în agentul de răcire convențional și în uleiul de răcire din circuitul existent poate duce la deteriorarea noului agent de răcire.
- Depozitați țevile care vor fi folosite la instalare în spații închise și cu ambele capete ale țevii sigilate până în momentul în care efectuați lipirea.
  - Dacă în circuitul de răcire intră praf, murdărie sau apă, uleiul se poate deteriora și compresorul se poate defecta.

### 9.2. Lucrările la circuitul de evacuare

1. Verificați că țeava de evacuare este orientată în jos (cu o înclinare mai mare de 1/100) către latura exterioară (de scurgere). Îndepărtați orice obturare sau neregularitate din cale. (①)
2. Verificați că orice parte transversală a circuitului de evacuare este mai scurtă de 20 m (excluzând diferența de înălțime). Dacă țeava de evacuare este lungă, fixați-o cu cleme de metal pentru a preveni ondulația. Nu instalați nicio conductă de aerisire. În caz contrar circuitul de evacuare poate fi scos.
3. Folosiți o conductă rigidă din clorură de vinil VP-25 (cu un diametru exterior de 32 mm) pentru țeava de evacuare.
4. Verificați dacă țevile de recuperare sunt cu 10 cm mai jos decât orificiul de evacuare al unității așa cum este prezentat în ②.
5. Nu instalați nici un obturator de mirosuri pe orificiul de scurgere al lichidului.
6. Așezați capătul țevii de evacuare într-o poziție în care nu sunt generate mirosuri.
7. Nu așezați capătul țevii de evacuare în recipiente în care sunt generate gaze ionice.

[Fig. 9.2.1] (P.3)

- Ⓐ Unghi de înclinare – coborâre 1/100 sau mai mult
- Ⓑ Furtun de evacuare
- Ⓒ Unitate
- Ⓓ Țevi de colectare
- Ⓔ Prelungii această lungime la aprox. 10 cm

### 9.3. Conexiunile electrice

Verificați dacă numele modelului de pe instrucțiunile de utilizare amplasate pe capacul cutiei de comandă coincide cu numele modelului de pe plăcuța de identificare.

Pasul 1

Îndepărtați șuruburile care fixează la locul lui capacul cutiei cu terminale.

[Fig. 9.3.1] (P.3)

- Ⓐ Șuruburi
- Ⓑ Panoul frontal
- Ⓒ Cutia de comandă

#### Notă:

Asigurați-vă că firele nu sunt prinse atunci când fixați capacul cutiei cu terminale.

Prinderea firelor poate duce la tăierea lor.

### ⚠️ **Atenție:**

**Instalarea cablurilor astfel încât ele să stea liber și să nu fie sub tensiune. Conectarea sub tensiune poate provoca ruperi, supraîncălzire sau poate declanșa incendii.**

- Prindeți linia de cablare intrare/ieșire a sursei de alimentare la cutia de comandă utilizând un manșon intermediar pentru forțe de tensionare pentru a preveni electrocutarea. (Conexiune PG sau similară.)  
Conectați circuitul de transmisie la cutia cu terminale trecând firele prin orificiile din cutia de comandă, folosind o izolație obișnuită.
- După ce circuitul a fost montat, verificați conexiunile pentru a nu apărea conexiuni slăbite și montați capacul pe cutia de comandă urmând indicațiile în ordine inversă.

[Fig. 9.3.2] (P.3)

- Ⓐ Pentru a preveni apariția unor forțe de tensionare exterioară asupra părții de conexiune cablată a blocului terminal al sursei de alimentare utilizați o izolație intermediară ca și în cazul conexiunii PG sau a uneia similară.
- Ⓑ Cablul semnalelor de intrare
- Ⓒ Cablul semnalelor de ieșire
- Ⓓ Cablarea circuitului de alimentare
- Ⓔ Forța de tracțiune
- Ⓕ Folosiți izolație obișnuită
- Ⓖ Cablul de transmisie și cablul MA pentru telecomandă

### ⚠️ **Atenție:**

**Cablați sursa de alimentare astfel încât să nu apară nicio tensiune. În caz contrar apar deconectări, încălziri sau incendii.**

## 10. Circuitul electric

### Măsurile de siguranță cu privire la circuitul electric

#### ⚠️ **Avertisment:**

**Lucrările la circuitul electric trebuie efectuate de un electrician calificat în conformitate cu „Standardele pentru instalațiile electrice” și cu manualele de instalare primite. De asemenea, se vor folosi și circuite speciale. Dacă circuitul electric nu are suficientă capacitate sau are un defect de instalare, există riscul producerii de scurtcircuite sau de incendii.**

1. Asigurați-vă că luați energie electrică de la circuitul derivat special.
2. Nu uitați să instalați la sursa de curent un circuit de legare la pământul.
3. Instalați unitatea, astfel încât nici unul dintre cablurile circuitului de comandă (telecomandă, cabluri de transmisie linie intrare/ieșire externă) să nu atingă direct cablul de alimentare aflat în exteriorul unității.
4. Conexiunile cablurilor nu trebuie să fie slăbite.
5. Unele cabluri (de alimentare, telecomandă, transmisii externe pe linie de intrare/ieșire) aflate deasupra tavanului pot fi roase de șoareci. Introduceți cablurile în țevi de metal pentru a le proteja.

6. Nu conectați cablul de alimentare la conductorii pentru cablurile de transmisie. În caz contrar acestea se vor rupe.
7. Nu uitați să conectați cablurile de control ale unității interne, telecomenzii și unității externe.
8. Verificați ca unitatea să fie legată la împământare.
9. Selectați cablurile de control în funcție de condițiile de la pagina 168.

#### ⚠️ **Atenție:**

**Nu uitați să conectați unitatea la circuitul de împământare pe partea unității externe. Nu conectați circuitul de împământare la o conductă de gaze, apă, circuit de iluminat sau la circuitul de împământare al telefonului. În cazul în care împământarea nu se face corect există riscul producerii de scurtcircuite.**

### Tipuri de cabluri de control

#### 1. Instalația pentru cablurile de transmisie

- Tipuri de cabluri de transmisie
- Proiectați instalația în conformitate cu următorul tabel <Tabelul 1>.
- Asigurați-vă că utilizați cablurile furnizate împreună cu izolația suplimentară.

#### 1. Cabluri de transmisie

PWFY-P100VM-E-BU

	Cabluri de transmisie	Cablurile pentru telecomanda MA	Intrare externă	Ieșire externă
Tipul cablului	Conductor ecranat (2 fire) CVVS, CPEVS sau MVVS	Cablu blindat cu 2 fire (ecranat) CVVS	Cablu blindat multifilar (ecranat) CVVS sau MVVS	Cablu blindat multifilar (ecranat) CVVS sau MVVS
Diametrul cablului	Peste 1,25 mm <sup>2</sup>	0,3 ~ 1,25 mm <sup>2</sup> (0,75 ~ 1,25 mm <sup>2</sup> )*1	0,3 ~ 0,5 mm <sup>2</sup>	0,3 ~ 1,25 mm <sup>2</sup>
Observații	-	Lungime max.: 200 m	Lungime max.: 100 m	Tensiunea nominală: L1-N: 220 - 240 V Sarcina nominală: 0,6A

PWFY-P100/200VM-E1-AU

	Cabluri de transmisie	Cablurile pentru telecomanda MA	Intrare externă	Ieșire externă
Tipul cablului	Conductor ecranat (2 fire) CVVS, CPEVS sau MVVS	Cablu blindat cu 2 fire (ecranat) CVVS	Cablu blindat multifilar (ecranat) CVVS sau MVVS	Cablu blindat multifilar (ecranat) CVVS sau MVVS
Diametrul cablului	Peste 1,25 mm <sup>2</sup>	0,3 ~ 1,25 mm <sup>2</sup> (0,75 ~ 1,25 mm <sup>2</sup> )*1	0,3 ~ 0,5 mm <sup>2</sup>	0,3 ~ 1,25 mm <sup>2</sup>
Observații	-	Lungime max.: 200 m	Lungime max.: 100 m	Tensiunea nominală: L1-N: 220 - 240 V Sarcina nominală: 0,6A

\*1 Conectat cu telecomandă simplă.

CVVS, MVVS : cablu de comandă ecranat, izolat PVC, cu înveliș PVC

CVV, MVV : cablu de comandă blindat, izolat PVC, cu înveliș PVC

CPEVS : cablu de comunicații ecranat, izolat PE, cu înveliș PVC

### 10.1. Circuitul de alimentare cu curent

- Cordoanele de alimentare ale aparatului nu vor fi mai mici decât cele proiectate 245 IEC 57 sau 227 IEC 57.
- Un întrerupător cu minimum 3 mm de separare între contacte la fiecare pol va fi folosit la instalarea aparatului de aer condiționat.

## LUCRĂRILE ELECTRICE

### 1. Caracteristici electrice

Model	Sursă de alimentare				Compresor		RLA (A)
	Hz	Volți	Gama de tensiune	MCA (A)	Ieșire (kW)	SC (A)	Încălzire
PWFY-P100VM-E-BU	50/60	220-230-240 V	Max. 264 V Min. 198 V	15,71	1,0	1,25	11,63-11,12-10,66

Model	Sursă de alimentare				RLA (A)	
	Hz	Volți	Gama de tensiune	MCA (A)	Răcire	Încălzire
PWFY-P100VM-E1-AU PWFY-P200VM-E1-AU	50/60	220-230-240 V	Max. 264 V Min. 198 V	0,085	0,068-0,065-0,063	

### 2. Specificațiile cablului de alimentare

Model	Grosimea minimă a conductorului (mm <sup>2</sup> )			Întrerupător pentru scurgeri de curent	Comutator local (A)		Întrerupător pentru cablare (NFB) (A)
	Cablul principal	ramificație	Împământare		capacitate	siguranță fuzibilă	
PWFY-P100VM-E-BU	2,5	-	2,5	30 A 30 mA 0,1 sec. sau mai mic	25	25	30



Model			Grosimea minimă a conductorului (mm <sup>2</sup> )			Înterupător pentru scurgeri de curent	Comutator local (A)		Înterupător pentru cablare (NFB) (A)
			Cablul principal	ramificație	Împământare		capacitate	siguranță/fuzibilă	
PWFY-P100VM-E1-AU PWFY-P200VM-E1-AU	Curentul total de funcționare	16 A sau mai mic	1,5	1,5	1,5	20 A 30 mA 0,1 sec. sau mai mic	16	16	20
		25 A sau mai mic	2,5	2,5	2,5	30 A 30 mA 0,1 sec. sau mai mic	25	25	30
		32 A sau mai mic	4,0	4,0	4,0	40 A 30 mA 0,1 sec. sau mai mic	32	32	40

#### [Fig. 10.1.1] (P.4)

- Ⓐ Înterupător pentru scurgeri de curent
- Ⓑ Comutator local sau înterupător pentru cablare
- Ⓒ PWFY-P100VM-E-BU
- Ⓓ PWFY-P100/200VM-E1-AU
- Ⓔ Cutie de distribuție

#### ⚠️ Atenție:

Nu folosiți decât siguranțe și înterupători cu capacitatea corectă. În cazul în care folosiți siguranțe, conductori sau conductori de cupru cu o capacitate prea mare, există riscul de a apărea defecțiuni sau incendii.

## 10.2. Conectarea telecomenzii, a cablurilor de transmisie interne și externe

(Telecomanda este disponibilă opțional.)

- Conectați unitatea TB5 și unitatea TB3. (Cablul ecranat) cu 2 fire nepolarizat). „S” de pe unitatea TB5 este o conexiune pentru cablul ecranat. Pentru indicații referitoare la conectarea cablurilor, consultați manualul de instalare al unității externe.
- Instalați o telecomandă urmând instrucțiunile din manualul pentru telecomandă.
- Conectați „1” și „2” de pe unitatea TB15 la telecomanda MA. (Cablul cu 2 fire nepolarizat)

#### [Fig. 10.2.1] (P.4) Telecomandă MA

- DC 10 - 13 V între 1 și 2 (telecomanda MA)

#### [Fig. 10.2.2] (P.4) Telecomandă MA

- Telecomanda MA nu poate fi utilizată în același timp sau interschimbată.

- Ⓐ Nepolarizat
- Ⓑ TB15 (Cablurile pentru telecomanda MA)
- Ⓒ Telecomandă MA
- Ⓓ TB5 (Cabluri de transmisie)
- Ⓔ TB2 (Cablarea pentru sursa de alimentare)

#### Notă:

Asigurați-vă că racordul la rețea nu este strangulat la montarea capacului cutiei de borne.

Strangularea racordului o poate întrerupe.

#### ⚠️ Atenție:

- Utilizați cabluri cu izolație suplimentară.
- Intrările la TB142A, TB142B și TB142C nu acceptă tensiune.
- Cablurile de la echipamentele conectate la intrarea/ieșirea externă trebuie să aibă o izolație suplimentară.
- Utilizați un singur cablu multifilar pentru intrarea/ieșirea externă pentru posibilitatea conectării la borna PG.

#### ⚠️ Atenție:

Realizați racordul la rețeaua de energie electrică astfel încât tensiunea să nu fie divizată. În caz contrar se ajunge la deconectare, încălzire sau incendiu.

## 10.3. Funcția intrării/ieșirii externe

Intrarea pentru temperatura prestabilită (intrare analogică externă: 4 mA-20 mA)

Intrarea externă este intrarea prin CN421, CN422 pe circuitul cablat. (Fig. 10.3.1)

Utilizați conectorul livrat.

Dacă nu se efectuează nicio setare de temperatură prin telecomanda MA, temperatura trece pe cea actuală.

Consultați manualul de instrucțiuni care însoțește telecomanda MA pentru a afla cum se efectuează setările.

4 mA → 10 °C      20 mA → 70 °C

#### Notă:

Pentru semnalele de ieșire, utilizați un dispozitiv izolat, de 4-20 mA.

#### Terminalul de ieșire externă

Terminalul de ieșire externă (consultați Fig. 10.3.2) este inactiv atunci când circuitul este deschis.

Consultați Tabelul 10.3.2 pentru informații despre fiecare contact.

Curentul și tensiunea circuitului care va fi conectat la borna de ieșire externă (TB141A OUT1) trebuie să îndeplinească următoarele condiții.

		Curent nominal de contact
Tensiune nominală de contact	AC250V	1A sau mai puțin
	AC125V	3A sau mai puțin
	DC30V	3A sau mai puțin

#### Tabelul 10.3.2

OUT1	Funcționare ON/OFF
OUT2	Dezghetare
OUT3	Compresor
OUT4	Semnal de eroare

#### Terminalul de ieșire externă

Lungimea firului nu trebuie să depășească 100 m.

Terminalul de ieșire externă (consultați Fig. 10.3.3) este inactiv atunci când circuitul este deschis.

Consultați Tabelul 10.3.3 până la Tabelul 10.3.5 pentru informații despre fiecare contact.

Doar funcția „sincronizare pompă” este inactivă atunci când circuitul este în scurt-circuit.

Conectați un circuit releu la terminalul de ieșire externă așa cum este prezentat în Fig. 7.4.1.

Specificațiile circuitului releu ce urmează a fi conectat trebuie să îndeplinească următoarele condiții.

Tensiunea nominală de contact ≥ DC15V

Curentul nominal de contact ≥ 0,1A

Sarcina minimă suportată ≤ 1mA la cc

#### Tabelul 10.3.3

<PWFY-P100VM-E-BU>

TB142A

IN1	Sincronizarea pompei
-----	----------------------

<PWFY-P100/200VM-E1-AU>

TB142A

IN1	Controlor de debit
-----	--------------------

#### Tabelul 10.3.4

TB142B

IN3	Cerere conexiune
IN4	Funcționare ON/OFF

#### Tabelul 10.3.5

TB142C

COM+	Comun
IN5*1	Apă fierbinte/încălzire
IN6*2	Încălzire ECO
IN7*3	Anti-îngheț

\*1 PWFY-P100VM-E-BU      Apă fierbinte

PWFY-P100/200VM-E1-AU      Încălzire

\*2 Activ când SW 4-3 este setat la ON (PORNIT).

\*3 Activ când SW 4-4 este setat la ON (PORNIT).

\*4 La configurarea modului Încălzire ECO sau Anti-înghețare, reconfigurați toate sursele de alimentare ale tuturor unităților (unități externe/interne).

## 10.4. Definirea adreselor

(Se operează numai cu înterupătorul principal în poziția oprit OFF.)

#### [Fig. 10.4.1] (P.4)

<Adresa panoului>

- Există două tipuri de parametri disponibili pentru înterupătoarele rotative: definierea adreselor de la 1 la 9 și peste 10 și definierea numărului de ramificație.

#### ① Cum se definesc adresele

Exemplu: Dacă adresa este „3”, păstrați înterupătorul SWU2 (peste 10) la „0” și așezați înterupătorul SWU1 (de la 1 la 9) în poziția „3”.

#### ② Cum se definesc numerele de ramificație SWU3 (numai la seria R2)

Puneți în corespondență țeava de răcire a unității de interior cu numărul conexiunii terminale al unității de comandă BC. În afară de R2 toate rămân la „0”.

- La livrarea aparatului de la producător, înterupătoarele rotative sunt toate în poziția „0”. Aceste înterupătoare pot fi utilizate pentru a defini adresele unităților și numărul ramificațiilor după dorință.

- Determinarea adreselor unităților interne diferă în funcție de sistemul dumneavoastră. Definiți aceste adrese folosind caietul cu date de referință – Data book.

## 11. Informații pe plăcuța cu caracteristici tehnice

### Avertisment:

Nu utilizați alt agent frigorific decât cel de tipul indicat în manualele furnizate împreună cu aparatul și pe plăcuța de identificare.

- Procedând astfel, aparatul sau conductele se pot sparge, poate izbucni o explozie sau un incendiu în timpul utilizării, lucrărilor de reparații sau în momentul evacuării aparatului.
- De asemenea, acest lucru ar putea încălca legile în vigoare.
- MITSUBISHI ELECTRIC CORPORATION nu poate fi considerată răspunzătoare pentru defecțiunile sau accidentele cauzate de utilizarea unui tip inadecvat de agent frigorific.

Model		PWFY-P100VM-E-BU	PWFY-P100VM-E1-AU	PWFY-P200VM-E1-AU
Agent termic (kg)	R134a	1,1	–	–
	R410A	4,15	4,15	4,15
Presiunea admisă (MPa)	R134a	3,60	–	–
	apă	1,0	1,0	1,0
Greutatea netă (kg)		60	35	38



---

This product is designed and intended for use in the residential,  
commercial and light-industrial environment.

The product at hand is  
based on the following  
EU regulations:

- Low Voltage Directive 2006/95/EC
- Electromagnetic Compatibility Directive  
2004/108/EC

Please be sure to put the contact address/telephone number on  
this manual before handing it to the customer.

## **MITSUBISHI ELECTRIC CORPORATION**

**HEAD OFFICE:** TOKYO BLDG., 2-7-3, MARUNOUCHI, CHIYODA-KU, TOKYO 100-8310, JAPAN

**Authorized representative in EU:** MITSUBISHI ELECTRIC EUROPE B.V.

HARMAN HOUSE, 1 GEORGE STREET, UXBRIDGE, MIDDLESEX UB8 1QQ, U.K.