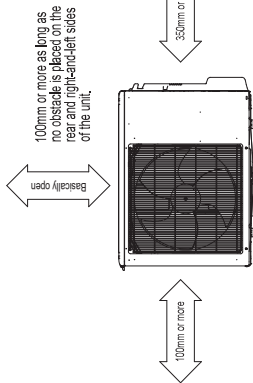


PUZ-ZM35VKA

PUZ-ZM50VKA

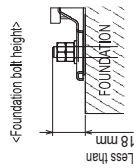
Unit: mm (inch)

Free space around the outdoor unit
(basic example)



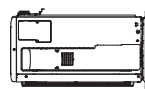
FOUNDATION BOLTS

Please secure the unit firmly with 4 foundation (M10) bolts. (Bolts, washers and nut must be purchased locally).

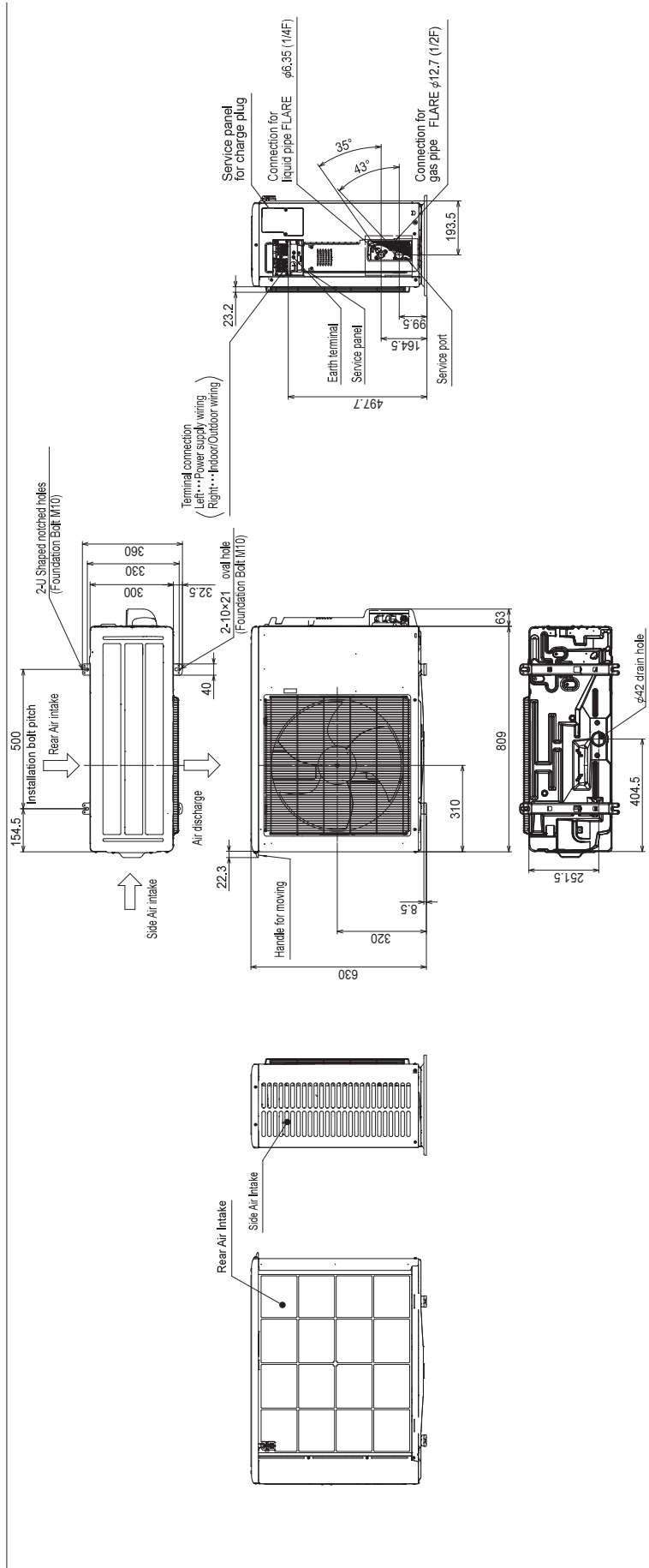


PIPING-WIRING DIRECTION

Piping and wiring connection can be made from the rear direction only.



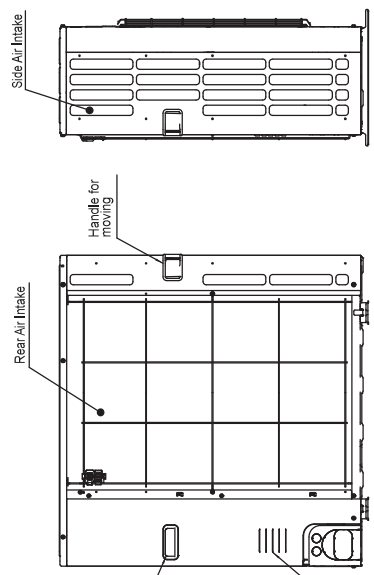
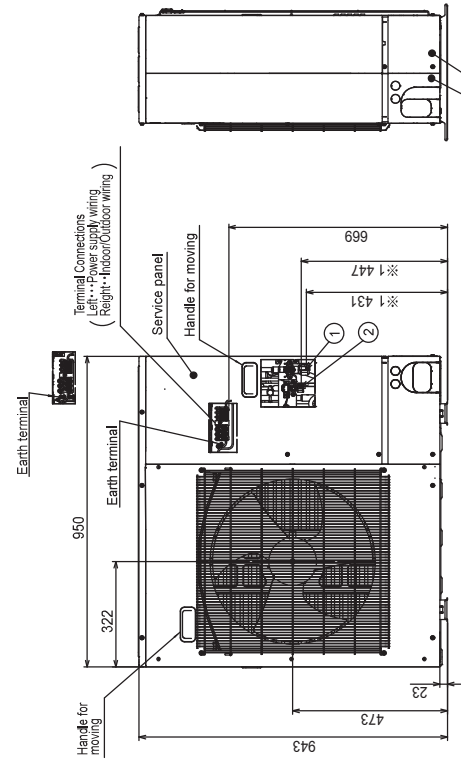
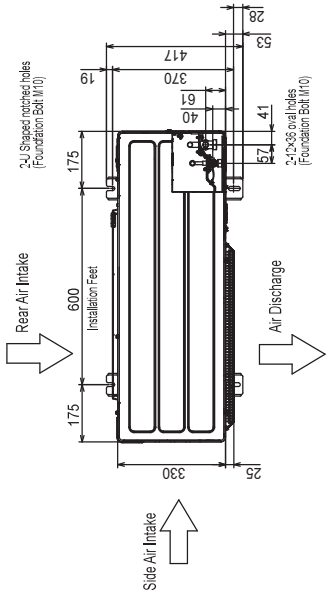
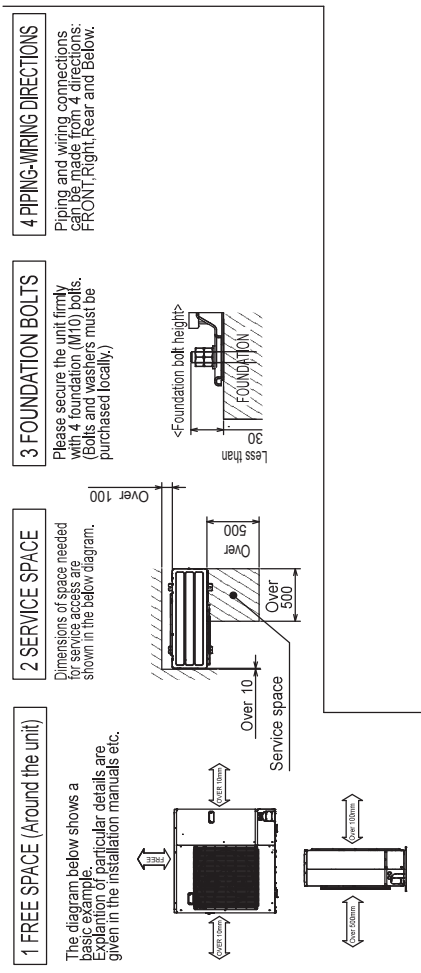
2 sides should be open in the right, left and rear side.



PUZ-ZM60VHA

PUZ-ZM71VHA

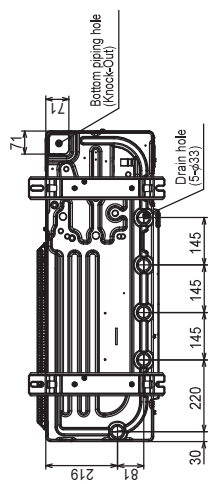
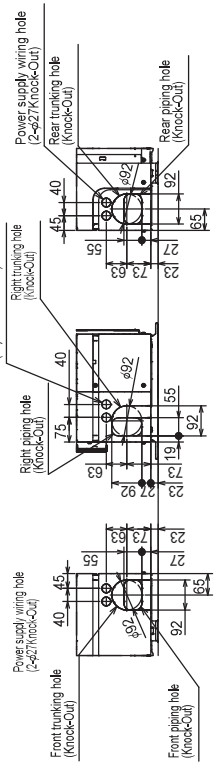
Unit: mm (inch)



Example of Notes

- ① --- Refrigerant GAS pipe connection (FLARE) φ16.8(5/8F)
- ② --- Refrigerant LIQUID pipe connection (FLARE) φ9.52(3/8F)
- ※ 1 --- Indication of STOP VALVE connection location

Piping Knock-Out Hole Details



PUZ-ZM200YKA.UK
PUZ-ZM250YKA.UK

Unit: mm

