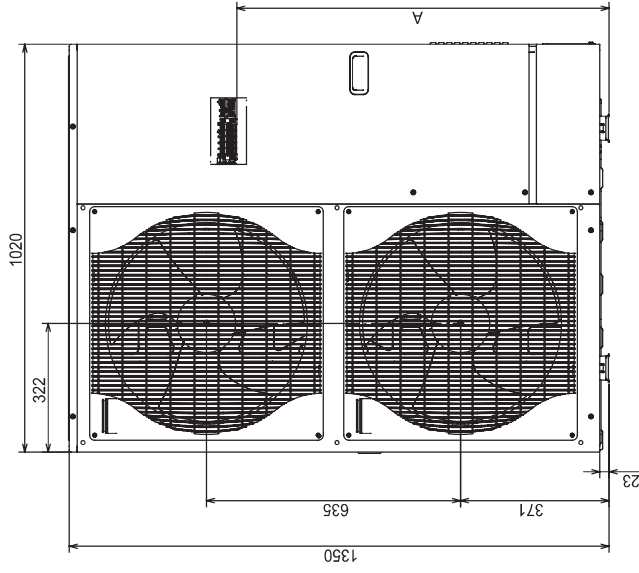
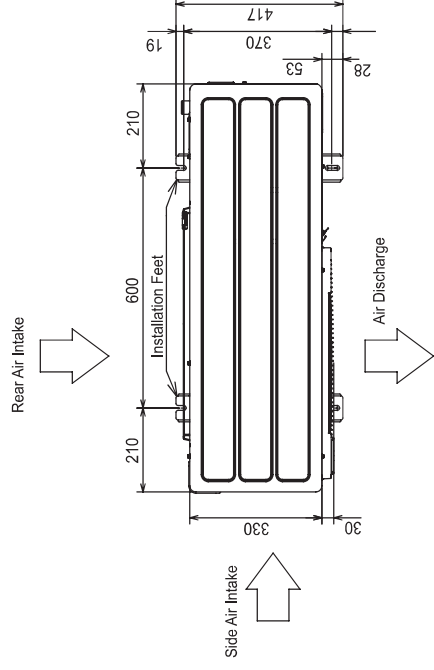


Front View



A	VHA	YHA
1079	1079	931

Upper View



Side View

