

PLFY-P-VFM-E
600x600 4-Way Blow Ceiling
Cassette Indoor Unit

Making a
World of
Difference

CITY MULTI



The **PLFY-P-VFM-E** cassette unit provides the smart solution to comfortable and efficient air conditioning. It combines a stylish square design slimline grille with the latest energy-saving technologies and is designed to fit snugly to ceilings making it ideal in both offices and retail.

Key Features

- New design - fits into narrow ceiling spaces with height of only 245mm
- Low noise levels - reduced noise value with 3D turbo fan
- Horizontal airflow - eliminating uncomfortable drafts and improved airflow control
- Easy installation - temporary hanging hook on grille and no screw removal for corner panel / control box
- 3D i-see Sensor Grille - optional 360° human body temperature, room occupancy and position sensor grille



Air Conditioning

Product Information

PLFY-P-VFM-E
600x600 4-Way Blow Ceiling
Cassette Indoor Unit

Making a
World of
Difference

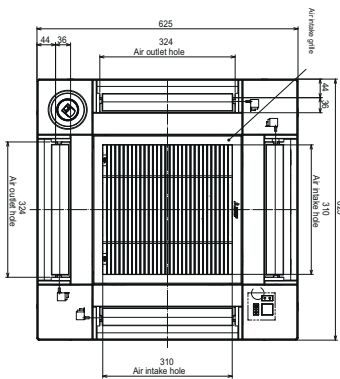


INDOOR UNITS		PLFY-P15VFM-E	PLFY-P20VFM-E	PLFY-P25VFM-E	PLFY-P32VFM-E	PLFY-P40VFM-E	PLFY-P50VFM-E
CAPACITY (kW)	Heating (nominal)	1.9	2.5	3.2	4.0	5.0	6.3
	Cooling (nominal)	1.7	2.2	2.8	3.6	4.5	5.6
	UK Heating	1.9	2.5	3.2	4.0	5.0	6.3
	UK Total Cooling - Hi (Sensible)	1.50 (1.30)	2.00 (1.60)	2.50 (2.00)	3.20 (2.40)	4.00 (2.90)	5.00 (3.60)
	UK Total Cooling - Mi1	1.48	1.94	2.38	3.06	3.78	4.78
POWER INPUT (kW)	UK Total Cooling - Lo	1.41	1.84	2.24	2.91	3.51	4.41
	Heating (nominal)	0.02	0.02	0.02	0.02	0.03	0.03
AIRFLOW (l/s)	Cooling (nominal)	0.02	0.02	0.02	0.02	0.03	0.03
	Lo-Mi-Hi	108-125-133	108-125-142	108-133-150	117-133-158	125-150-183	150-183-217
SOUND PRESSURE LEVEL (dBA)	Lo-Mi-Hi	26-28-30	26-29-31	26-30-33	26-30-34	28-33-39	33-39-43
	(Grille)	14 (3)	14 (3)	14 (3)	15 (3)	15 (3)	15 (3)
DIMENSIONS (mm)	WEIGHT (kg)	14 (3)	14 (3)	14 (3)	15 (3)	15 (3)	15 (3)
	Width (Grille)	570 (625)	570 (625)	570 (625)	570 (625)	570 (625)	570 (625)
	Depth (Grille)	570 (625)	570 (625)	570 (625)	570 (625)	570 (625)	570 (625)
	Height (Grille)	245 (10)	245 (10)	245 (10)	245 (10)	245 (10)	245 (10)
ELECTRICAL SUPPLY		220-240v, 50Hz	220-240v, 50Hz	220-240v, 50Hz	220-240v, 50Hz	220-240v, 50Hz	220-240v, 50Hz
PHASE		Single	Single	Single	Single	Single	Single
RUNNING CURRENT (A) Heating / Cooling		0.14 / 0.19	0.16 / 0.21	0.17 / 0.22	0.18 / 0.23	0.23 / 0.28	0.35 / 0.4
FUSE RATING (BS88) - HRC (A)		6	6	6	6	6	6
MAINS CABLE No. Cores		3	3	3	3	3	3
GRILLE MODEL REFERENCE		SLP-2FA	SLP-2FA	SLP-2FA	SLP-2FA	SLP-2FA	SLP-2FA

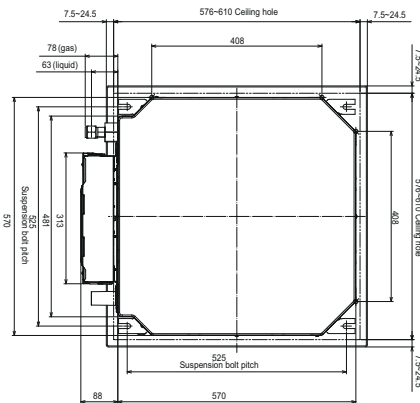
PRODUCT DIMENSIONS

PLFY-P15/20/25/32/40/50VFM-E

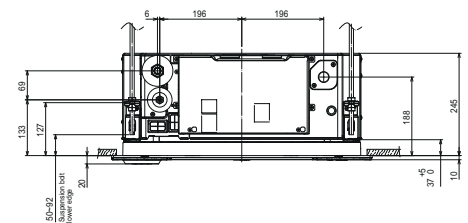
Upper View



Lower View



Side View



Telephone: 01707 282880
email: air.conditioning@meuk.mee.com
web: airconditioning.mitsubishielectric.co.uk

UNITED KINGDOM Mitsubishi Electric Europe Living Environment Systems Division
Travellers Lane, Hatfield, Hertfordshire, AL10 8XB, England General Enquiries Telephone: 01707 282880 Fax: 01707 278881

IRELAND Mitsubishi Electric Europe Westgate Business Park, Ballymount, Dublin 24, Ireland
Telephone: Dublin (01) 419 8800 Fax: Dublin (01) 419 8890 International code: (003531)

Country of origin: United Kingdom - Japan - Thailand - Malaysia. ©Mitsubishi Electric Europe 2017. Mitsubishi and Mitsubishi Electric are trademarks of Mitsubishi Electric Europe B.V. The company reserves the right to make any variation in technical specification to the equipment described, or to withdraw or replace products without prior notification or public announcement. Mitsubishi Electric is constantly developing and improving its products. All descriptions, illustrations, drawings and specifications in this publication present only general particulars and shall not form part of any contract. All goods are supplied subject to the Company's General Conditions of Sale, a copy of which is available on request. Third-party product and brand names may be trademarks or registered trademarks of their respective owners.

Note: The fuse rating is for guidance only. Please refer to the relevant databook for detailed specification. It is the responsibility of a qualified electrician/electrical engineer to select the correct cable size and fuse rating based on current regulation and site specific conditions. Mitsubishi Electric's air conditioning equipment and heat pump systems contain a fluorinated greenhouse gas, R410A (GWP:2088), R32 (GWP:675), R407C (GWP:1774) or R134a (GWP:1430). *These GWP values are based on Regulation (EU) No 517/2014 from IPCC 4th edition. In case of Regulation (EU) No.626/2011 from IPCC 3rd edition, these are as follows: R410A (GWP:1975), R32 (GWP: 550), R407C (GWP:1650) or R134a (GWP:1300).



www.greengateway.mitsubishielectric.co.uk
Mitsubishi Electric UK's commitment
to the environment

Follow us @meuk_Jes
Follow us @green_gateway

Mitsubishi Electric
Living Environmental Systems UK

mitsubishielectric2

thehub.mitsubishielectric.co.uk

Effective as of September 2017