

Technical Bulletin

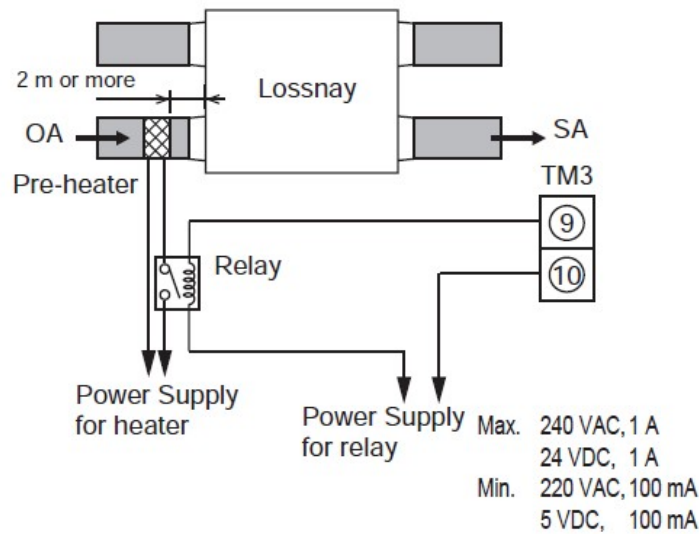
Number	M028
Subject	Connecting Heater to LGH-RVX3 Lossnay
Date	15 January 2024

Connecting Heater to LGH-RVX3 Lossnay

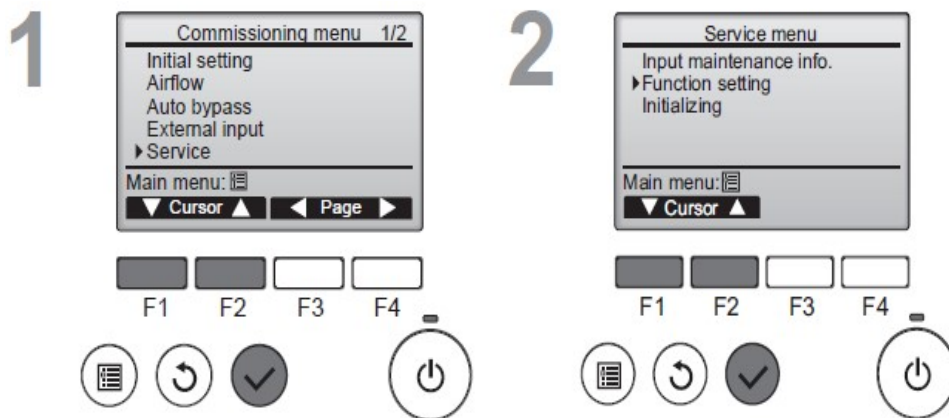
When connecting Pre-Heaters or Re-Heaters to LGH-RVX3 Lossnay Units, please implement the following steps:

PRE-HEATER

When using Pre-heater output signal, the wiring should be as shown by the following picture.



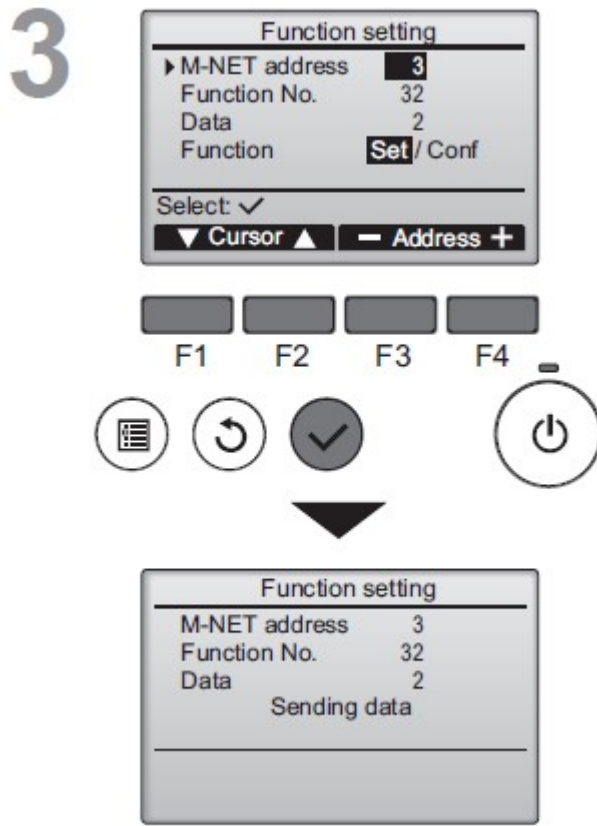
It is then necessary to program the PZ-62DR-E to implement the pre-heater output setting.



1. With controller switched off, select Service in Commissioning Menu.
2. In Service Menu, select Function Setting.

Technical Bulletin

3. Select the Lossnay Address & Function from table below & press "Set"



DIP-SW setting		Function setting on PZ-62DR-EA/EB	Signal output	
SW5-1	SW5-2			
-	-	12	0	Dip-SW priority
OFF	OFF		1	Operation monitor
ON	OFF		2	Malfunction monitor
OFF	ON		3	By-pass monitor
ON	ON		4	Supply fan operation monitor
N/A	N/A		5	Exhaust fan operation monitor
N/A	N/A		6	Pre-heater signal output
N/A	N/A		7	After-heater signal output

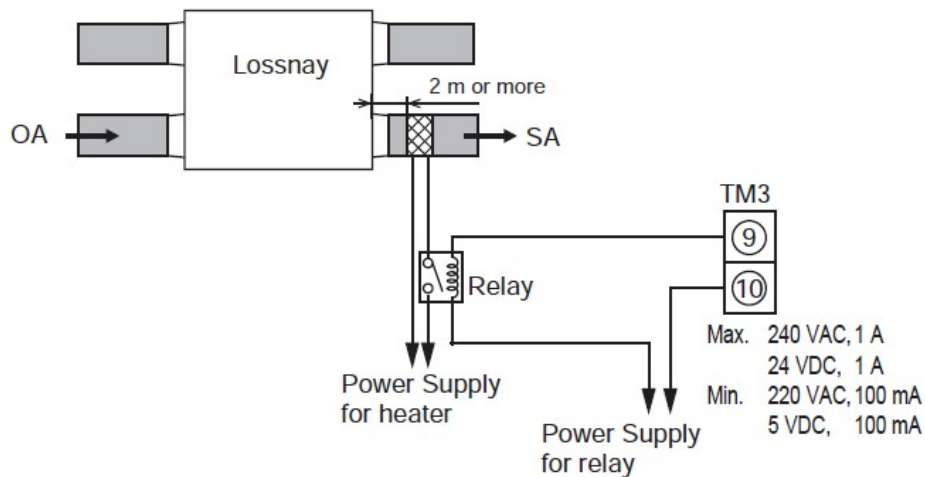
Technical Bulletin

4. Pre-Heater output starts 10 seconds after supply fan starts. Fan continues to operate 3 min after stopping the unit. Lossnay begins Pre-Heater output when ambient temp is 0°C or less, and stops output when ambient temp is 15°C or more. Lossnay will also stop the output at regular intervals (every one hour). To change "ON" temperature setting & duration of heater operation, set the following functions on the PZ-62DR-E:

No	Function	Setting Data							
		0	1	2	3	4	5	6	7
60	Pre-heater output setting 1) ON temperature	0 °C	-1 °C	-2 °C	-3 °C	-4 °C	-5 °C	-6 °C	-7 °C
61	Pre-heater output setting 2) OFF interval	1 hr	2 hrs	3 hrs	4 hrs	5 hrs	—	—	—

RE-HEATER

When using After-heater output signal, the wiring should be as shown by the following picture.



When using a Re-Heater follow all the above except set Function 12 on PZ-62DR-E to 7 as below:

DIP-SW setting		Function setting on PZ-62DR-EA/EB	Signal output
SW5-1	SW5-2		
-	-	12	0 Dip-SW priority
OFF	OFF		1 Operation monitor
ON	OFF		2 Malfunction monitor
OFF	ON		3 By-pass monitor
ON	ON		4 Supply fan operation monitor
N/A	N/A		5 Exhaust fan operation monitor
N/A	N/A		6 Pre-heater signal output
N/A	N/A		7 After-heater signal output