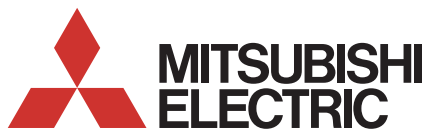




Lossnay Mechanical Ventilation Heat Recovery (MVHR) systems, are designed to supply fresh air into any commercial building whilst simultaneously extracting stale air and, most importantly, recovering valuable heat energy for maximum efficiency

#### Key Features

- Clean fresh air
- Improved air quality and comfort
- Increased climate control
- Reduced energy bills
- Energy efficient heat recovery
- Low power consumption and SFP's
- Free cooling function
- Total heat exchange (sensible and latent)
- Significantly reduced height

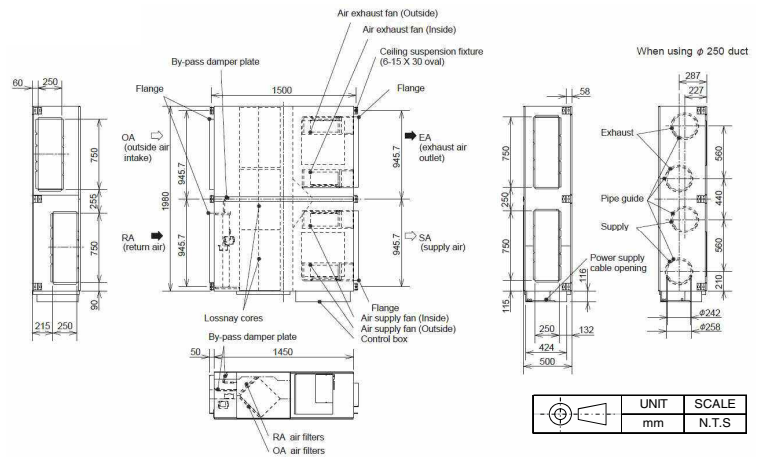


Air Conditioning | Heating  
Ventilation | Controls



COMMERCIAL MODELS		LGH-150RVXT-E
ELECTRICAL POWER SUPPLY		220-240V, 50Hz
RUNNING CURRENT (A)		
	SP1	0.36
	SP2	1.10
	SP3	2.40
	SP4	4.30
INPUT POWER (W)		
	SP1	48
	SP2	176
	SP3	421
	SP4	792
AIRFLOW (m <sup>3</sup> /h) <sup>2</sup>		
	SP1	375
	SP2	750
	SP3	1125
	SP4	1500
AIRFLOW (l/s) <sup>2</sup>		
	SP1	104
	SP2	208
	SP3	313
	SP4	417
SPECIFIC FAN POWER (W/(l/s))		
	SP1	0.46
	SP2	0.85
	SP3	1.35
	SP4	1.90
EXTERNAL STATIC PRESSURE (Pa)		
	SP1	11
	SP2	44
	SP3	98
	SP4	175
SOUND PRESSURE LEVEL (dBA)		
	SP1	22
	SP2	29.5
	SP3	35.5
	SP4	39.5
TEMPERATURE EXCHANGE EFFICIENCY (%)		
	SP1	81.5
	SP2	81
	SP3	80.5
	SP4	80
ENTHALPY EXCHANGE EFFICIENCY (%)		
Heating	SP1	75
	SP2	73
Cooling	SP3	71
	SP4	70
	SP1	74
	SP2	72
	SP3	70
	SP4	69
WEIGHT (kg)		156
DIMENSIONS (mm) Width x Depth x Height		1980 x 1500 x 500
DUCT SIZE (mm)		250 x 750
STANDARD FILTER <sup>1</sup>		EU-G3
FUSE RATING (BS88) – HRC (A)		10

#### DIMENSIONS



#### REMOTE CONTROLLER

#### PZ-61DR-E



- Control up to 15 Lossnay units
- Full-dot backlit LCD screen
- Weekly timer (ability to pre-set air volume requirements at different intervals)
- Night purge function



Notes: Running Current, Input Power and Recovery Efficiency are based on the above airflow rate, power supply 240V, 50Hz. Sound Pressure Level measured at 1.5m under the centre of panel. \*1: EU-F7 filter available as optional parts. \*2: Airflow tested to Japan industrial standard JIS B 8628. SP1, SP2, SP3 & SP4 relate to the fan speeds of the Lossnay RVXT units i.e. fanspeed 1, 2, 3 & 4.

Lossnay Housings will be available, please contact Mitsubishi Electric for further information.



Telephone: 01707 282880

email: ventilation@meuk.mee.com web: www.airconditioning.mitsubishielectric.co.uk

UNITED KINGDOM Mitsubishi Electric Europe Living Environmental Systems Division  
Travellers Lane, Hatfield, Hertfordshire, AL10 8XB, England General Enquiries Telephone: 01707 282880 Fax: 01707 278881

IRELAND Mitsubishi Electric Europe Westgate Business Park, Ballymount, Dublin 24, Ireland  
Telephone: Dublin (01) 419 8800 Fax: Dublin (01) 419 8890 International code: (003531)

Country of origin: United Kingdom – Japan – Thailand – Malaysia. ©Mitsubishi Electric Europe 2015. Mitsubishi and Mitsubishi Electric are trademarks of Mitsubishi Electric Europe B.V. The company reserves the right to make any variation in technical specification to the equipment described, or to withdraw or replace products without prior notification or public announcement. Mitsubishi Electric is constantly developing and improving its products. All descriptions, illustrations, drawings and specifications in this publication present only general particulars and shall not form part of any contract. All goods are supplied subject to the Company's General Conditions of Sale, a copy of which is available on request. Third-party product and brand names may be trademarks or registered trademarks of their respective owners.



Effective as of November 2015



www.greengateway.mitsubishielectric.co.uk

Mitsubishi Electric UK's commitment to the environment

Follow us @meuk\_Jes  
Follow us @green\_gateway

Mitsubishi Electric  
Living Environmental Systems UK

YouTube  
mitsubishielectric2



Lossnay Mechanical Ventilation Heat Recovery (MVHR) systems, are designed to supply fresh air into any commercial building whilst simultaneously extracting stale air and, most importantly, recovering valuable heat energy for maximum efficiency

### Key Features

- Clean fresh air
- Improved air quality and comfort
- Increased climate control
- Reduced energy bills
- Energy efficient heat recovery
- Low power consumption and SFP's
- Free cooling function
- Total heat exchange (sensible and latent)
- Significantly reduced height

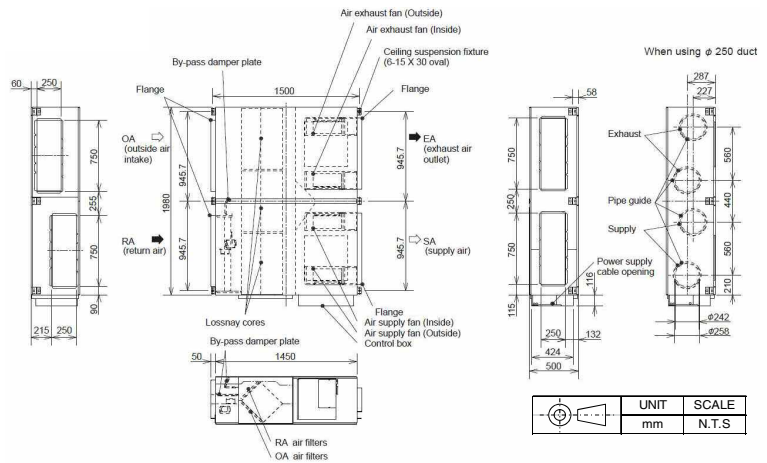


Air Conditioning | Heating  
Ventilation | Controls



COMMERCIAL MODELS		LGH-200RVXT-E
ELECTRICAL POWER SUPPLY		220-240V, 50Hz
RUNNING CURRENT (A)		
	SP1	0.39
	SP2	1.10
	SP3	2.70
	SP4	5.40
INPUT POWER (W)		
	SP1	56
	SP2	197
	SP3	494
	SP4	1000
AIRFLOW (m <sup>3</sup> /h) <sup>2</sup>		
	SP1	500
	SP2	1000
	SP3	1500
	SP4	2000
AIRFLOW (l/s) <sup>2</sup>		
	SP1	139
	SP2	278
	SP3	417
	SP4	556
SPECIFIC FAN POWER (W/(l/s))		
	SP1	0.40
	SP2	0.71
	SP3	1.18
	SP4	1.80
EXTERNAL STATIC PRESSURE (Pa)		
	SP1	11
	SP2	44
	SP3	98
	SP4	175
SOUND PRESSURE LEVEL (dBA)		
	SP1	22
	SP2	28
	SP3	35.5
	SP4	39.5
TEMPERATURE EXCHANGE EFFICIENCY (%)		
	SP1	84
	SP2	82.5
	SP3	81
	SP4	80
ENTHALPY EXCHANGE EFFICIENCY (%)		
	Heating	
	SP1	83
	SP2	77
	SP3	73.5
	SP4	72.5
	Cooling	
	SP1	80.5
	SP2	74.5
	SP3	71
	SP4	70
WEIGHT (kg)		159
DIMENSIONS (mm) Width x Depth x Height		1980 x 1500 x 500
DUCT SIZE (mm)		250 x 750
STANDARD FILTER <sup>1</sup>		EU-G3
FUSE RATING (BS88) – HRC (A)		10

#### DIMENSIONS



#### REMOTE CONTROLLER

#### PZ-61DR-E



- Control up to 15 Lossnay units
- Full-dot backlit LCD screen
- Weekly timer (ability to pre-set air volume requirements at different intervals)
- Night purge function



Notes: Running Current, Input Power and Recovery Efficiency are based on the above airflow rate, power supply 240V, 50Hz. Sound Pressure Level measured at 1.5m under the centre of panel. \*1: EU-F7 filter available as optional parts. \*2: Airflow tested to Japan industrial standard JIS B 8628. SP1, SP2, SP3 & SP4 relate to the fan speeds of the Lossnay RVXT units i.e. fanspeed 1, 2, 3 & 4.

Lossnay Housings will be available, please contact Mitsubishi Electric for further information.



Telephone: 01707 282880

email: ventilation@meuk.mee.com web: www.airconditioning.mitsubishielectric.co.uk

UNITED KINGDOM Mitsubishi Electric Europe Living Environmental Systems Division  
Travellers Lane, Hatfield, Hertfordshire, AL10 8XB, England General Enquiries Telephone: 01707 282880 Fax: 01707 278881

IRELAND Mitsubishi Electric Europe Westgate Business Park, Ballymount, Dublin 24, Ireland  
Telephone: Dublin (01) 419 8800 Fax: Dublin (01) 419 8890 International code: (003531)

Country of origin: United Kingdom – Japan – Thailand – Malaysia. ©Mitsubishi Electric Europe 2015. Mitsubishi and Mitsubishi Electric are trademarks of Mitsubishi Electric Europe B.V. The company reserves the right to make any variation in technical specification to the equipment described, or to withdraw or replace products without prior notification or public announcement. Mitsubishi Electric is constantly developing and improving its products. All descriptions, illustrations, drawings and specifications in this publication present only general particulars and shall not form part of any contract. All goods are supplied subject to the Company's General Conditions of Sale, a copy of which is available on request. Third-party product and brand names may be trademarks or registered trademarks of their respective owners.



Effective as of November 2015



www.greengateway.mitsubishielectric.co.uk

Mitsubishi Electric UK's commitment to the environment

Follow us @meuk\_Jes  
Follow us @green\_gateway

Mitsubishi Electric  
Living Environmental Systems UK

YouTube  
mitsubishielectric2



Lossnay Mechanical Ventilation Heat Recovery (MVHR) systems, are designed to supply fresh air into any commercial building whilst simultaneously extracting stale air and, most importantly, recovering valuable heat energy for maximum efficiency

#### Key Features

- Clean fresh air
- Improved air quality and comfort
- Increased climate control
- Reduced energy bills
- Energy efficient heat recovery
- Low power consumption and SFP's
- Free cooling function
- Total heat exchange (sensible and latent)
- Significantly reduced height

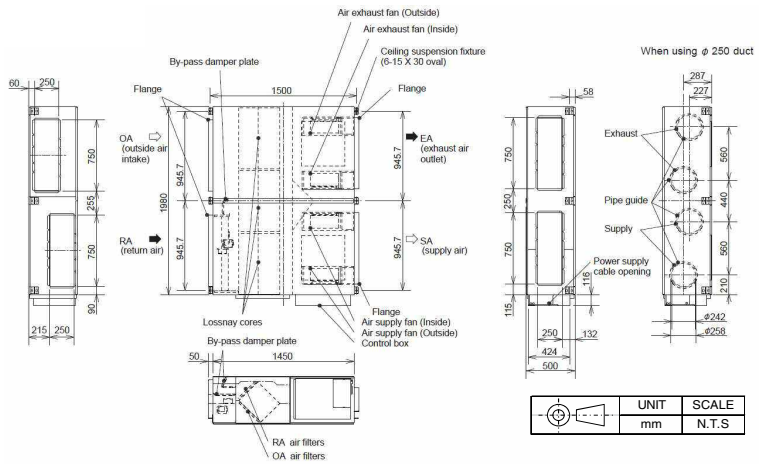


Air Conditioning | Heating  
Ventilation | Controls



COMMERCIAL MODELS		LGH-250RVXT-E
ELECTRICAL POWER SUPPLY		220-240V, 50Hz
RUNNING CURRENT (A)		
	SP1	0.57
	SP2	1.40
	SP3	3.60
	SP4	7.60
INPUT POWER (W)		
	SP1	82
	SP2	244
	SP3	687
	SP4	1446
AIRFLOW (m <sup>3</sup> /h) <sup>2</sup>		
	SP1	625
	SP2	1250
	SP3	1875
	SP4	2500
AIRFLOW (l/s) <sup>2</sup>		
	SP1	174
	SP2	347
	SP3	521
	SP4	694
SPECIFIC FAN POWER (W/(l/s))		
	SP1	0.47
	SP2	0.70
	SP3	1.32
	SP4	2.08
EXTERNAL STATIC PRESSURE (Pa)		
	SP1	11
	SP2	44
	SP3	98
	SP4	175
SOUND PRESSURE LEVEL (dBA)		
	SP1	24
	SP2	32
	SP3	39
	SP4	43
TEMPERATURE EXCHANGE EFFICIENCY (%)		
	SP1	82.5
	SP2	80.5
	SP3	79
	SP4	77
ENTHALPY EXCHANGE EFFICIENCY (%)		
Heating	SP1	79
	SP2	74
Cooling	SP3	71.5
	SP4	68
	SP1	76.5
	SP2	71.5
	SP3	69
	SP4	65.5
WEIGHT (kg)		198
DIMENSIONS (mm) Width x Depth x Height		1980 x 1500 x 500
DUCT SIZE (mm)		250 x 750
STANDARD FILTER <sup>1</sup>		EU-G3
FUSE RATING (BS88) – HRC (A)		10

#### DIMENSIONS



#### REMOTE CONTROLLER

#### PZ-61DR-E



- Control up to 15 Lossnay units
- Full-dot backlit LCD screen
- Weekly timer (ability to pre-set air volume requirements at different intervals)
- Night purge function



Notes: Running Current, Input Power and Recovery Efficiency are based on the above airflow rate, power supply 240v, 50Hz. Sound Pressure Level measured at 1.5m under the centre of panel. \*1: EU-F7 filter available as optional parts. \*2: Airflow tested to Japan industrial standard JIS B 8628. SP1, SP2, SP3 & SP4 relate to the fan speeds of the Lossnay RVXT units i.e. fanspeed 1, 2, 3 & 4.

Lossnay Housings will be available, please contact Mitsubishi Electric for further information.