

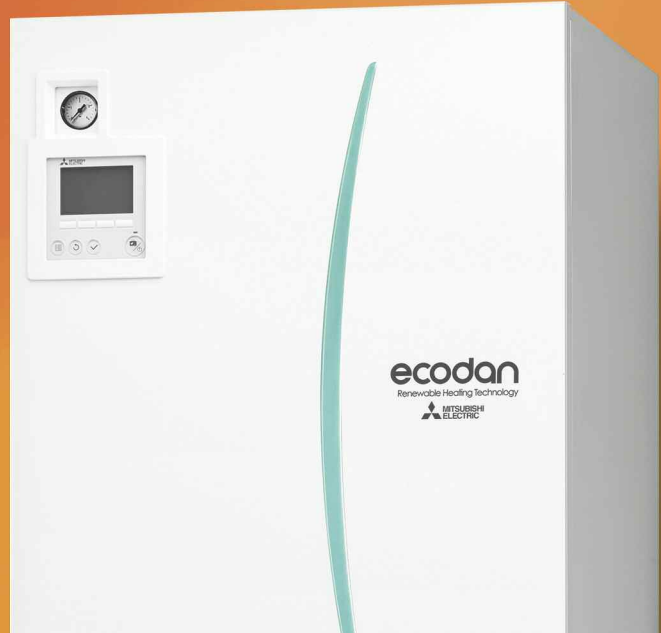
Heating

Product Information

EHPT20X-MHCW

FTC5 Packaged Cylinder for Ecodan Monobloc Units

Making a
World of
Difference



Packaged space heating and domestic hot water cylinder for use with Ecodan monobloc air source heat pumps

The packaged cylinder offers a highly adaptable heating solution for retrofit or new build.

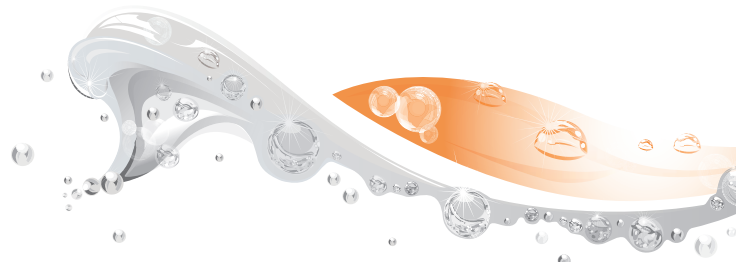
Designed specifically by Mitsubishi Electric to integrate with the Ecodan monobloc air source heat pump range. The cylinder provides improved performance and faster heat up times through the use of plate heat exchanger technology. Fast commissioning via an SD card and energy monitoring functions are now included.

Key Features

- Simple graphical control
- Optional 2-zone energy efficient space heating control
- Sleek modern design
- Compatible with Mitsubishi Electric wireless room controllers
- Pre-plumbed and wired for faster installation
- Hybrid function, for use with conventional boilers
- SD card commissioning
- Cascade function for multiple unit control
- Energy monitoring as standard



Air Conditioning | Heating
Ventilation | Controls





ADVANCED CONTROLLER – WITH ENERGY MONITORING



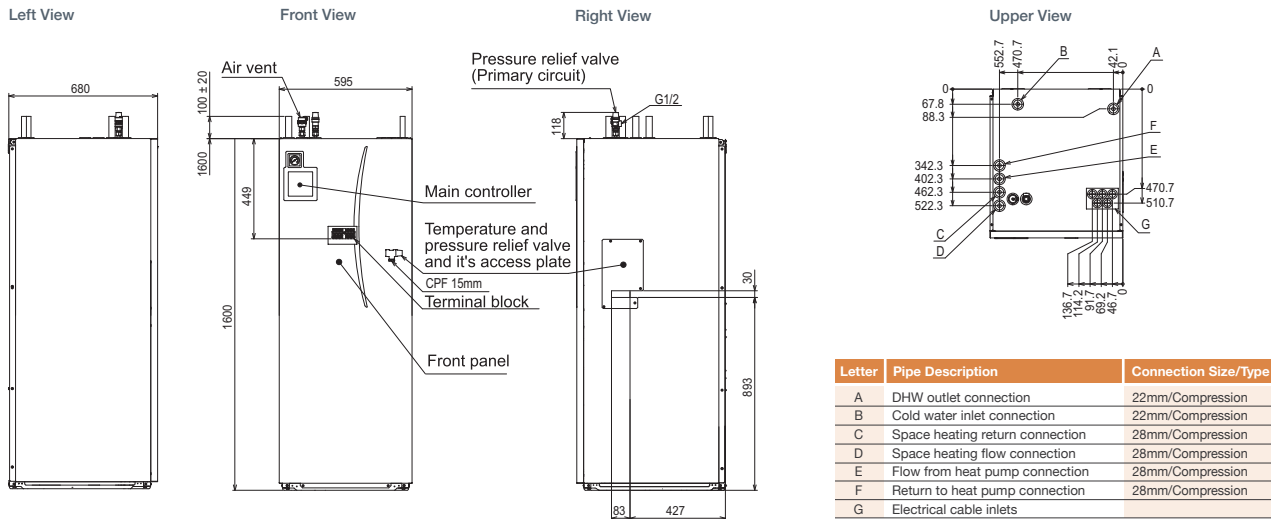
Mitsubishi Electric's fifth generation controller (FTC5) includes intelligent room temperature control as standard. This together with advanced weather compensation ensures the system delivers efficient, comfortable heating regardless of the season. FTC5 now also includes energy monitoring showing consumed and produced energy.

CYLINDER		EHPT20X-MHCW	
NOMINAL HOT WATER VOLUME (LITRES)		200	
HEAT PUMP COMBINATION HEATER - Large Profile (with PUHZ-W85VHA2)		A	
ErP Rating			
OPERATING AMBIENT TEMPERATURE (°C DB)		0 ~ +35°C (RH<80%)	
SOUND PRESSURE LEVEL AT 1M (dBA)		28	
WATER DATA			
		Flow Rate (l/min) W50 - W85 - W112 - HW140	14.3 - 25.8 - 32.1 - 40.1
		Primary Pump	Grundfos UPM2 15 70 - 130
		Sanitary Hot Water Pump	Grundfos UPSO 15-60 130 CIL2
		Connection Size (mm) Heating / DHW	28 / 22
		Primary Expansion Vessel (Litres)	12
		Charge Pressure (MPa (Bar))	0.1 (1)
		Control Thermistor (°C)	1 - 80
		Pressure Relief Valve (MPa (Bar))	0.3 (3)
		Flow Sensor (minimum flow 5L/min)	Supplied
WATER SAFETY DEVICES			
Water Circuit		Control Thermistor (°C)	40-70
		Temp and Pressure Relief Valve (°C/ (MPa (Bar)))	90 / 0.7 (7)
DHW Cylinder		Width	595
		Depth	680
		Height	1600
DIMENSIONS (mm)			
			98 / 307
WEIGHT EMPTY / FULL (kg)			
ELECTRICAL DATA			
		Electrical Supply	220-240v, 50Hz
		Phase	Single
		Fuse Rating - MCB Sizes (A) ¹	10
		Electrical Supply	220-240v, 50Hz
		Phase	Single
		Capacity (kW)	3
		Max Running Current (A)	13
		Fuse Rating - MCB Sizes (A) ¹	16
MECHANICAL ZONES		DHW and 1 Heating Zone ²	
OPTIONAL SIMPLIFIED WIRELESS ROOM THERMOSTAT AND WIRELESS RECEIVER		PAR-WT50-E Controller and PAR-WR51-E Receiver	

Cylinder includes: Flow Temperature Controller (FTC5) with Main Controller and Temperature Sensors, Pumps & Valves for Zone 1 and DHW use, Flow Sensor, Plate Heat Exchanger, Scale Trap, 3kW Immersion Heater and Expansion Vessel.

¹ MCB Sizes BS EN60898-2 & BS EN60947-2 ² Optional 2 zone accessory pack available

DIMENSIONS



Telephone: 01707 282880
email: heating@meuk.mee.com web: heating.mitsubishielectric.co.uk

UNITED KINGDOM Mitsubishi Electric Europe Living Environmental Systems Division
Travellers Lane, Hatfield, Hertfordshire, AL10 8XB, England General Enquiries Telephone: 01707 282880 Fax: 01707 278881
IRELAND Mitsubishi Electric Europe Westgate Business Park, Ballymount, Dublin 24, Ireland
Telephone: Dublin (01) 419 8800 Fax: Dublin (01) 419 8890 International code: (003531)

Country of origin: United Kingdom - Japan - Thailand - Malaysia. ©Mitsubishi Electric Europe 2015. Mitsubishi and Mitsubishi Electric are trademarks of Mitsubishi Electric Europe B.V. The company reserves the right to make any variation in technical specification to the equipment described, or to withdraw or replace products without prior notification or public announcement. Mitsubishi Electric is constantly developing and improving its products. All descriptions, illustrations, drawings and specifications in this publication present only general particulars and shall not form part of any contract. All goods are supplied subject to the Company's General Conditions of Sale, a copy of which is available on request. Third-party product and brand names may be trademarks or registered trademarks of their respective owners.



www.greengateway.mitsubishielectric.co.uk
Mitsubishi Electric UK's commitment to the environment

Follow us @meuk_les
Follow us @green_gateway

Mitsubishi Electric
Living Environmental Systems UK

youtube.com/mitsubishielectric2

