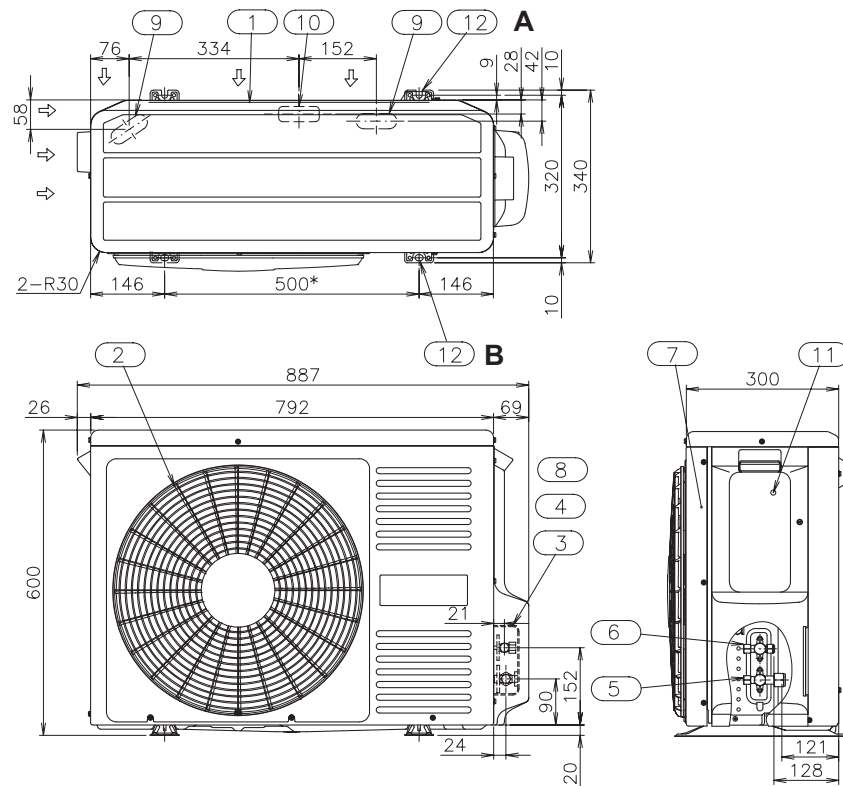


## 6.1 Dimensions

### 6.1.1 RAS-3HVRNS3

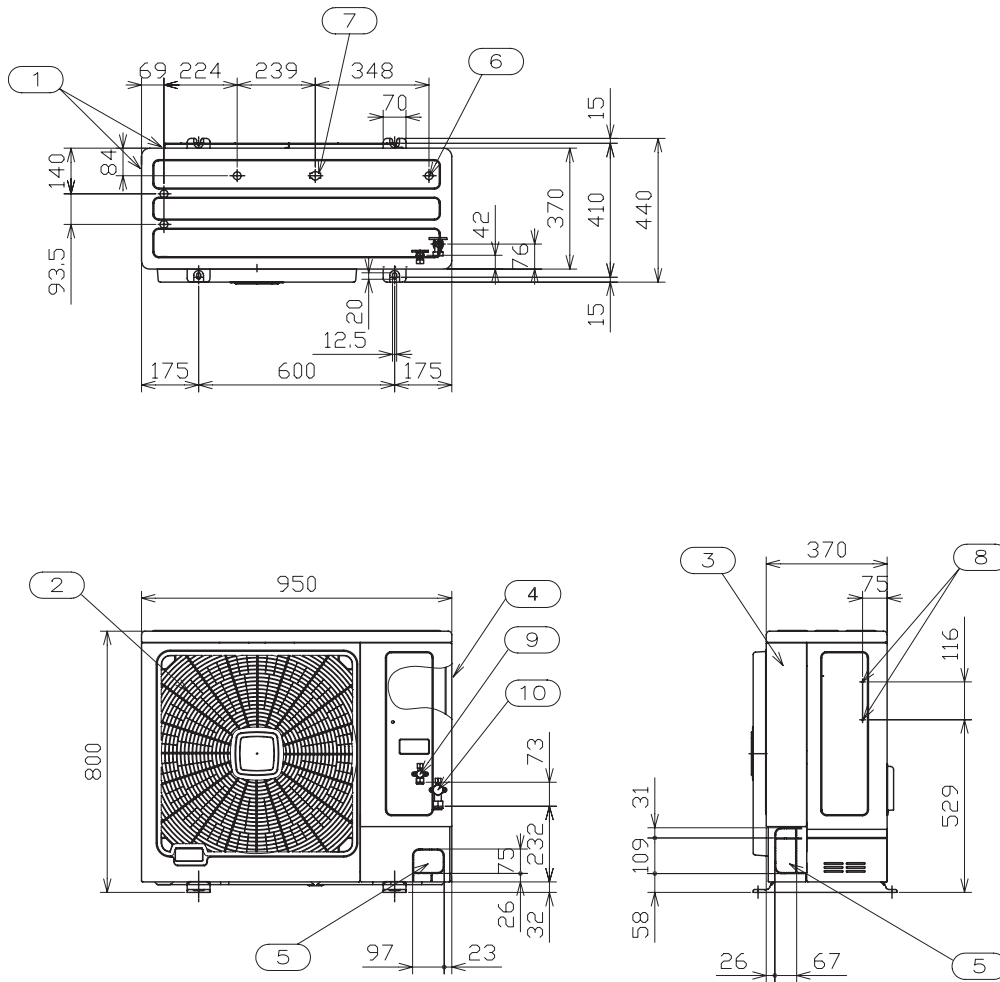


Units in mm.

| No. | Description                      | Remarks                         |
|-----|----------------------------------|---------------------------------|
| 1   | Air inlet                        | —                               |
| 2   | Air outlet                       | —                               |
| 3   | Holes for power supply wiring    | —                               |
| 4   | Holes for control line wiring    | —                               |
| 5   | Gas piping connection            | —                               |
| 6   | Liquid piping connection         | —                               |
| 7   | Service panel                    | —                               |
| 8   | Refrigerant piping hole          | —                               |
| 9   | Drain hole                       | —                               |
| 10  | Drain hole                       | —                               |
| 11  | Earth terminal wiring            | (M5)                            |
| 12  | Holes for fixing machine to wall | A: 2-U cut holes / B: 2 - holes |



**6.1.2 RAS-(4-6)H(V)RNS(2/3)E**



Units in mm.

| No. | Description   | Remarks                  |
|-----|---|--------------------------|
| 1   | Air inlet   | -                        |
| 2   | Air outlet  | -                        |
| 3   | Service cover   | -                        |
| 4   | Electrical switch box                                     | -                        |
| 5   | Holes for refrigerant piping and electrical wiring piping | -                        |
| 6   | Drain holes   | 4-Ø24                    |
| 7   | Drain holes   | 1-Ø26                    |
| 8   | Holes for fixing machine to wall                          | 4-(M5)                   |
| 9   | Refrigerant liquid pipe                                   | Flare nut: Ø9.52 (3/8")  |
| 10  | Refrigerant gas pipe                                      | Flare nut: Ø15.88 (5/8") |



# HITACHI

|                         |   |                 |
|-------------------------|---|-----------------|
| Distributed to √ Areas: |   |                 |
| All Areas               |   | the Middle East |
| Europe                  | √ | Southeast Asia  |
| U.S.A.                  |   | Africa          |
| Others ( )              |   |                 |

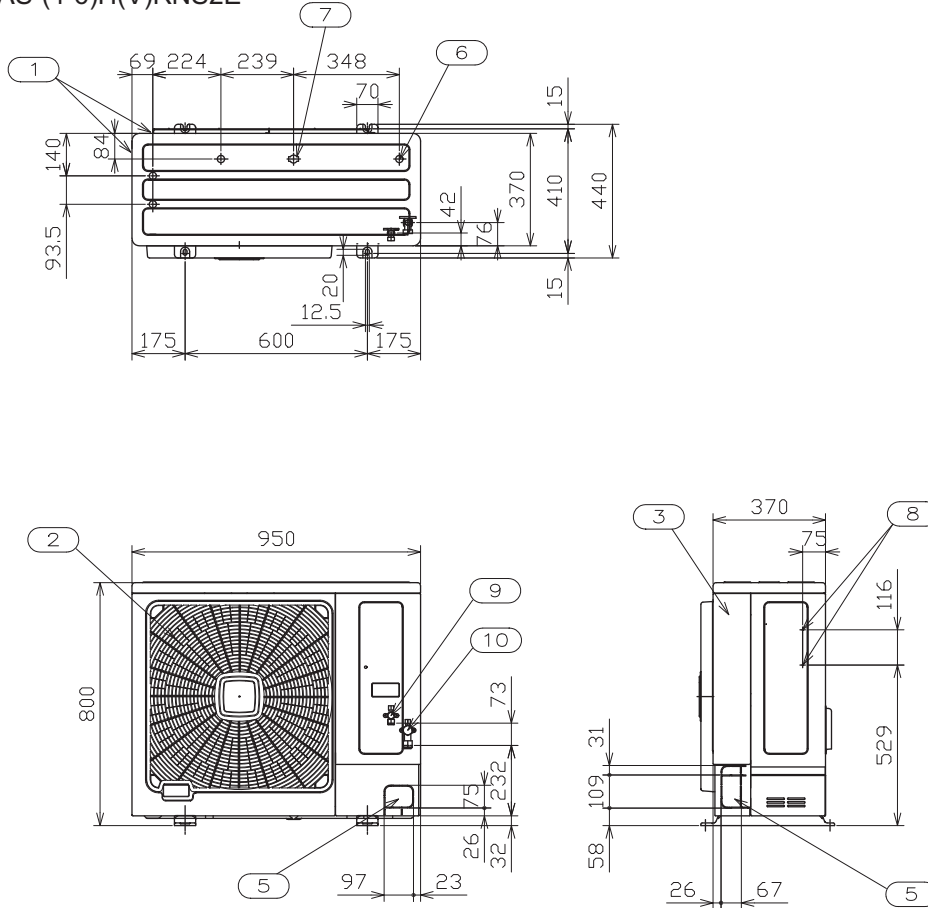
**ADVANCE  
PRODUCT NEWS**

Updating of UTOPIA Outdoor Units - IVX / ES Series -  
and Indoor Units (RCI/RPI) - FSN3E Series -

**DATE:** Mar'11

**PAGE:** 39/50

## 14.2. RAS-(4-6)H(V)RNS2E



| No. | Description   | Remarks                  |
|-----|---|--------------------------|
| 1   | Air intake  | -                        |
| 2   | Air outlet  | -                        |
| 3   | Service cover   | -                        |
| 4   | Electrical switch box                                     | -                        |
| 5   | Holes for refrigerant piping and electrical wiring piping | -                        |
| 6   | Drain holes   | 4-Ø24                    |
| 7   | Drain holes   | 1-Ø26                    |
| 8   | Holes for fixing machine to wall                          | 4-(M5)                   |
| 9   | Refrigerant liquid piping                                 | Flare nut: Ø9.53 (3/8")  |
| 10  | Refrigerant gas piping                                    | Flare nut: Ø15.88 (5/8") |



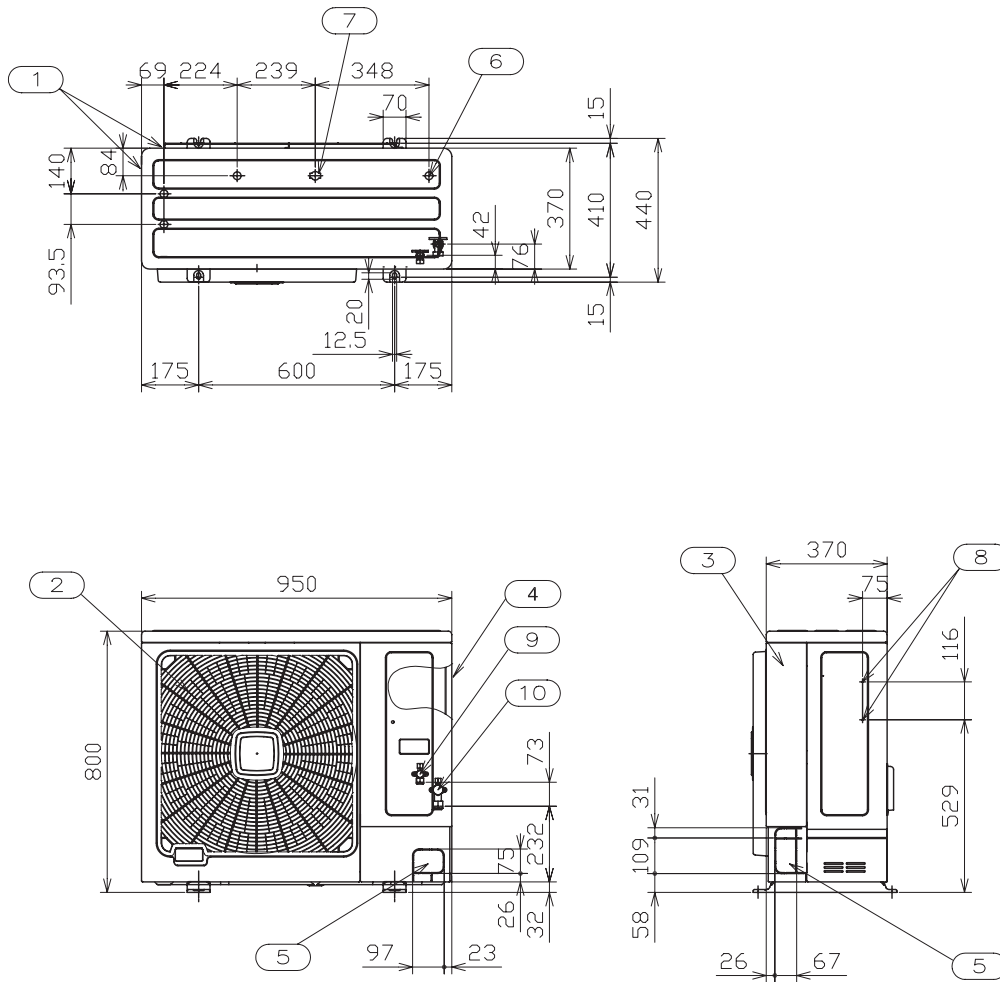
All measurements are in mm.

Hitachi Air Conditioning Products Europe, S. A.  
Barcelona (Spain)

Nº

APN-2011003\_r1

**6.1.2 RAS-(4-6)H(V)RNS(2/3)E**

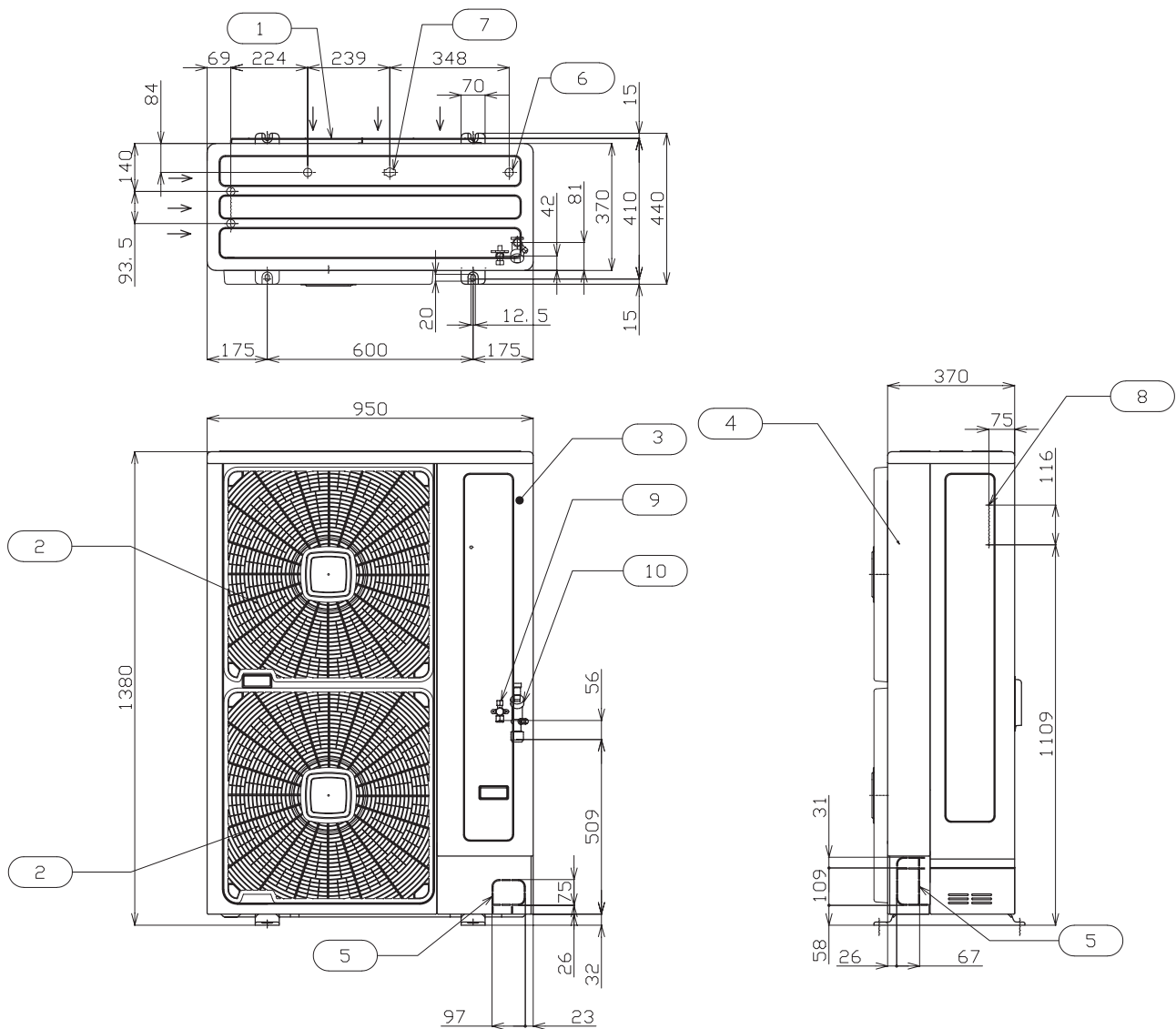


Units in mm.

| No. | Description   | Remarks                  |
|-----|---|--------------------------|
| 1   | Air inlet   | -                        |
| 2   | Air outlet  | -                        |
| 3   | Service cover   | -                        |
| 4   | Electrical switch box                                     | -                        |
| 5   | Holes for refrigerant piping and electrical wiring piping | -                        |
| 6   | Drain holes   | 4-Ø24                    |
| 7   | Drain holes   | 1-Ø26                    |
| 8   | Holes for fixing machine to wall                          | 4-(M5)                   |
| 9   | Refrigerant liquid pipe                                   | Flare nut: Ø9.52 (3/8")  |
| 10  | Refrigerant gas pipe                                      | Flare nut: Ø15.88 (5/8") |



**6.1.3 RAS-(8-10)HRNSE**



Units in mm.

| No. | Description   | Remarks                 |
|-----|---|-------------------------|
| 1   | Air inlet   | —                       |
| 2   | Air outlet  | —                       |
| 3   | Service cover   | —                       |
| 4   | Electrical switch box                                     | —                       |
| 5   | Holes for refrigerant piping and electrical wiring piping | —                       |
| 6   | Drain holes   | 4-Ø24                   |
| 7   | Drain holes   | 1-Ø26                   |
| 8   | Holes for fixing machine to wall                          | 4-(M5)                  |
| 9   | Refrigerant liquid pipe                                   | Flare nut: Ø9.52 (3/8") |
| 10  | Refrigerant gas pipe                                      | Flare nut: Ø25.4 (1")   |

